



US00D623321S

(12) **United States Design Patent**
Levine

(10) **Patent No.:** **US D623,321 S**
(45) **Date of Patent:** **** Sep. 7, 2010**

(54) **MODULAR LIGHTING DEVICE**

(76) Inventor: **Jonathan E. Levine**, 419 Park Ave.
South, Suite 505, New York, NY (US)
10016

(**) Term: **14 Years**

(21) Appl. No.: **29/335,805**

(22) Filed: **Apr. 22, 2009**

(51) **LOC (9) Cl.** **26-04**

(52) **U.S. Cl.** **D26/25**

(58) **Field of Classification Search** D26/24,
D26/25, 27, 113, 118, 3; 362/551, 552, 554,
362/556, 555, 559, 806, 812, 565, 84, 217.01,
362/236, 237, 249.06, 249.14, 249.15, 249.16,
362/269; 385/901; D21/679

See application file for complete search history.

(56) **References Cited**

U.S. PATENT DOCUMENTS

D206,439 S *	12/1966	Menelly	D26/3
D248,501 S *	7/1978	Fridrich et al.	D26/3
D268,442 S *	3/1983	Darmon	D26/24
4,751,627 A	6/1988	Usher		
4,812,956 A	3/1989	Chen		
4,943,900 A	7/1990	Gartner		
5,559,681 A	9/1996	Duarte		
D423,130 S	4/2000	Kung		
D446,877 S	8/2001	Lester		
6,283,612 B1	9/2001	Hunter		
6,340,233 B1	1/2002	Shieh		
D465,038 S *	10/2002	Bragg et al.	D26/27
D476,106 S	6/2003	Kim		
D485,869 S *	1/2004	Miletich	D21/399
D505,217 S	5/2005	Bayat et al.		
6,984,055 B2	1/2006	McCarthy et al.		
D525,381 S	7/2006	Hodgson		
D532,374 S *	11/2006	Lee	D13/134
7,147,347 B1	12/2006	Khachakian		
D538,456 S	3/2007	Trigiani et al.		
D540,484 S	4/2007	Bayat et al.		
D550,885 S *	9/2007	Crosby	D26/76

7,309,142 B2	12/2007	Tseng et al.		
D560,014 S	1/2008	Lammel et al.		
D563,013 S	2/2008	Levine		
D563,582 S	3/2008	Levine		
D567,977 S	4/2008	Jianwei		
D567,978 S	4/2008	Jianwei		
D575,890 S	8/2008	Montalbano et al.		
D576,334 S	9/2008	Levine		
D576,749 S *	9/2008	Kitagawa et al.	D26/3
D581,571 S	11/2008	Levine		

(Continued)

Primary Examiner—Angela J Lee
(74) *Attorney, Agent, or Firm*—Theodore W. Baker

(57) **CLAIM**

I claim the ornamental design for a modular lighting device, as shown and described.

DESCRIPTION

FIG. 1 is a perspective view of a modular lighting device showing my new design, as viewed from the top and one side.

FIG. 2 is a back elevation view of the modular lighting device of FIG. 1.

FIG. 3 is a top plan view of the modular lighting device of FIG. 1.

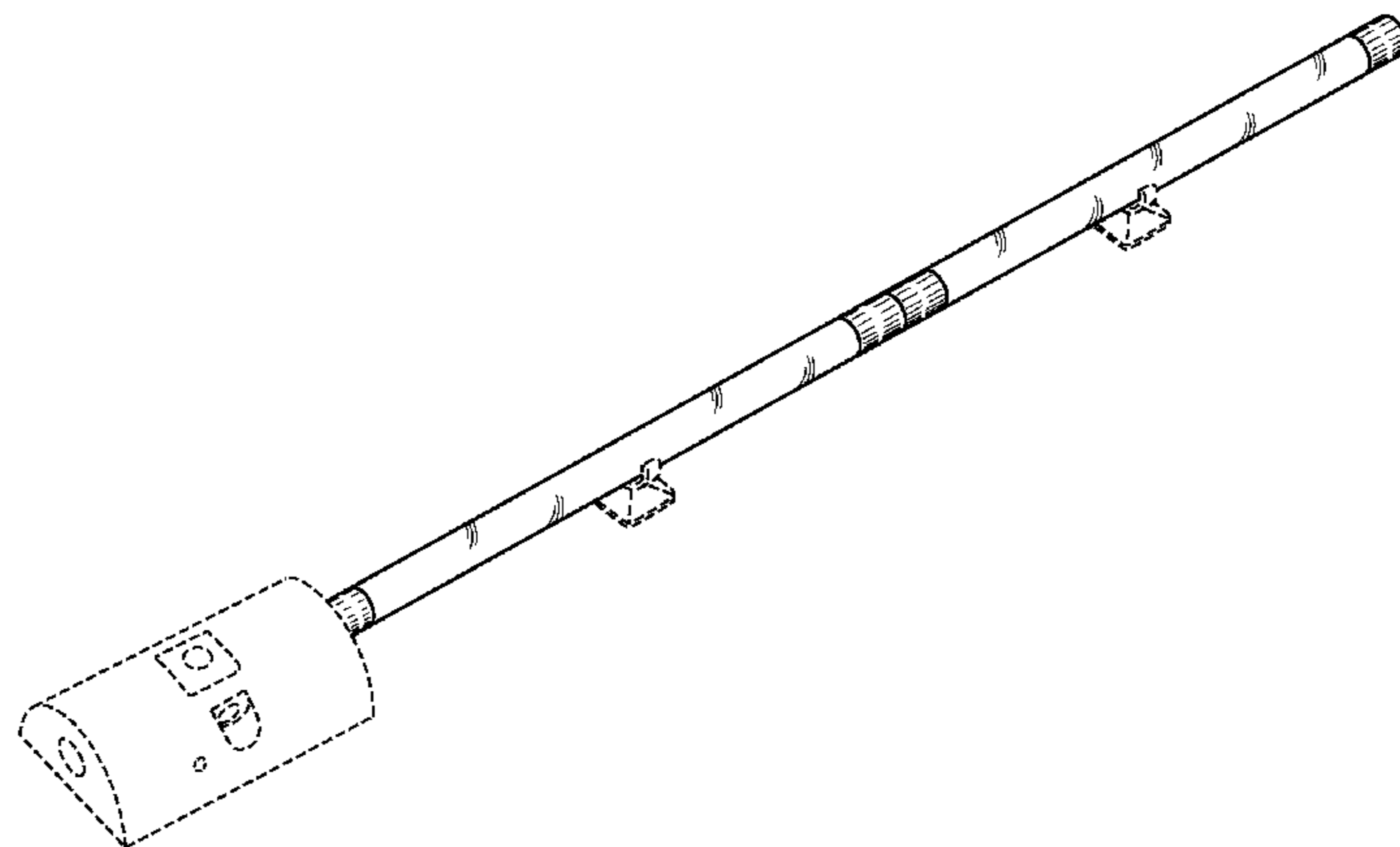
FIG. 4 is a front elevation view of the modular lighting device of FIG. 1.

FIG. 5 is a bottom plan view of the modular lighting device of FIG. 1; and,

FIG. 6 is a side elevation view of the modular lighting device of FIG. 1.

The details shown in broken lines illustrate portions of the modular lighting device that form no part of the claimed design.

1 Claim, 2 Drawing Sheets



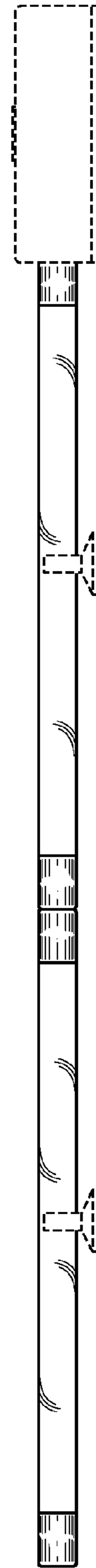
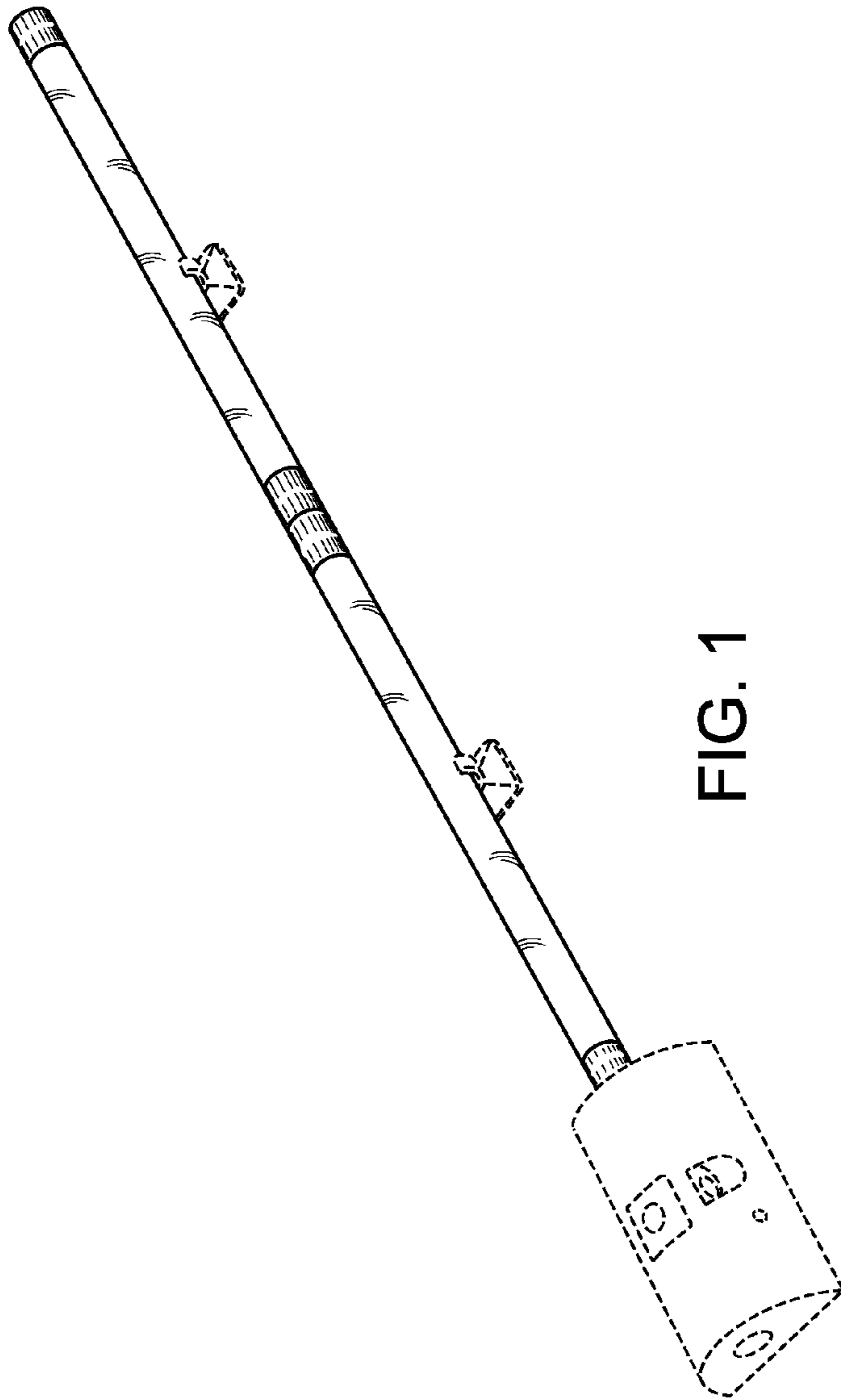
US D623,321 S

Page 2

U.S. PATENT DOCUMENTS

D585,578 S	1/2009	Levine		2004/0212992 A1	10/2004	Chen	
7,550,931 B2 *	6/2009	Lys et al.	315/291	2005/0174751 A1	8/2005	Liao	
2002/0131275 A1 *	9/2002	Yamamoto et al.	362/555	2006/0256584 A1	11/2006	Paoluccio	
2002/0145876 A1	10/2002	Juang		2007/0103926 A1 *	5/2007	Brooks et al.	362/555
2003/0161151 A1 *	8/2003	Liu	362/249	2007/0165398 A1	7/2007	Kurtz et al.	
				2008/0117648 A1 *	5/2008	Weiser	362/555

* cited by examiner



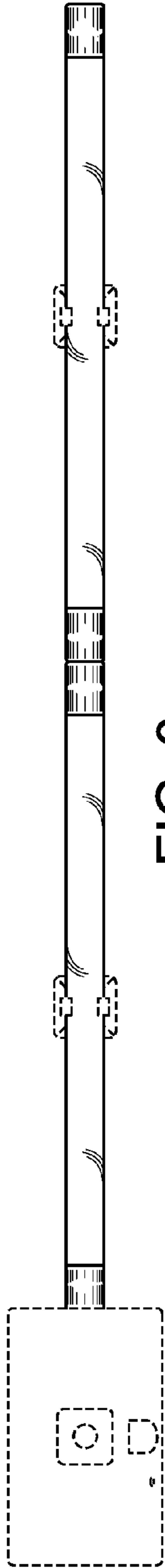


FIG. 3

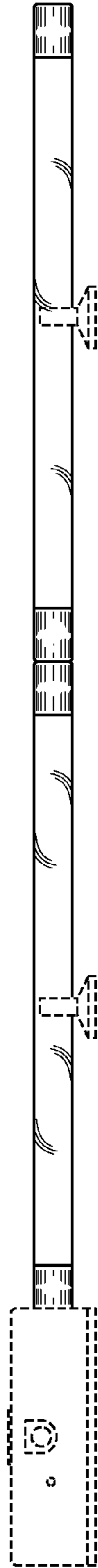


FIG. 4

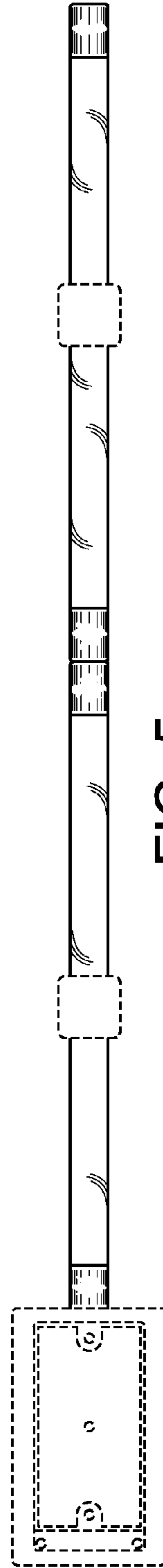


FIG. 5



FIG. 6