



US00D623311S

(12) **United States Design Patent**
Aulwes et al.

(10) **Patent No.:** **US D623,311 S**
(45) **Date of Patent:** **** Sep. 7, 2010**

(54) **WAND MASSAGER**

(75) Inventors: **Chad Aulwes**, Sterling, IL (US); **Jenny McLaughlin**, Amboy, IL (US); **Zhiming Li**, Ningbo (CN); **Huer Lou**, Ningbo (CN); **Yongmei Zhang**, Ningbo (CN)

(73) Assignee: **Wahl Clipper Corporation**, Sterling, IL (US)

(**) Term: **14 Years**

(21) Appl. No.: **29/341,191**

(22) Filed: **Jul. 31, 2009**

(51) **LOC (9) Cl.** **28-03**

(52) **U.S. Cl.** **D24/214**

(58) **Field of Classification Search** D24/200,
D24/204, 206, 211–215, 201; 601/19, 22,
601/27, 28, 29, 30, 31, 39, 46, 56, 63, 68,
601/72, 80, 125, 135, 157, 169, DIG. 12,
601/DIG. 14, DIG. 16, DIG. 17; D6/335,
D6/336; D21/685

See application file for complete search history.

(56) **References Cited**

U.S. PATENT DOCUMENTS

D99,288	S	*	4/1936	Knapp	D24/211
2,809,631	A	*	10/1957	Smith et al.	601/81
D209,031	S	*	10/1967	Teranishi	D24/214
D228,473	S	*	9/1973	Koahido	D24/214
4,920,957	A		5/1990	Sutherland		
D311,955	S	*	11/1990	Lie	D24/211
5,065,743	A		11/1991	Sutherland		
D326,526	S	*	5/1992	Bucher	D24/214
D338,070	S	*	8/1993	Lam	D24/214
D342,138	S	*	12/1993	Wollman et al.	D24/214
D351,660	S	*	10/1994	Ichikawa et al.	D24/214
D362,307	S	*	9/1995	Cirone	D24/211
5,569,168	A		10/1996	Hartwig		
D400,260	S	*	10/1998	Hirakawa et al.	D24/215
D438,308	S	*	2/2001	Harris et al.	D24/215
D448,852	S	*	10/2001	Engelen	D24/215

D469,879	S	*	2/2003	Chen	D24/211
D478,385	S		8/2003	Dirks et al.		
6,911,010	B2		6/2005	Dirks et al.		
D533,943	S	*	12/2006	Chen	D24/146
D538,430	S	*	3/2007	Ohta	D24/146
D561,343	S	*	2/2008	Liang	D24/215
D568,473	S	*	5/2008	Ashiwa et al.	D24/146
D577,813	S	*	9/2008	Seki et al.	D24/107

* cited by examiner

Primary Examiner—Sandra Snapp

(74) *Attorney, Agent, or Firm*—Greer, Burns & Crain, Ltd.

(57) **CLAIM**

The ornamental design for a wand massager, as shown and described.

DESCRIPTION

FIG. 1 is a top perspective view of the present wand massager;

FIG. 2 is a front view of same;

FIG. 3 is a right side view of the present wand massager, the left side being a mirror image of same;

FIG. 4 is a rear view of the present wand massager;

FIG. 5 is a top view of same;

FIG. 6 is a bottom view of same;

FIG. 7 is a top perspective view of a second embodiment of the present wand massager;

FIG. 8 is a front view of the massager of FIG. 7;

FIG. 9 is a right side view of the wand massager of FIG. 7, the left side being a mirror image of same;

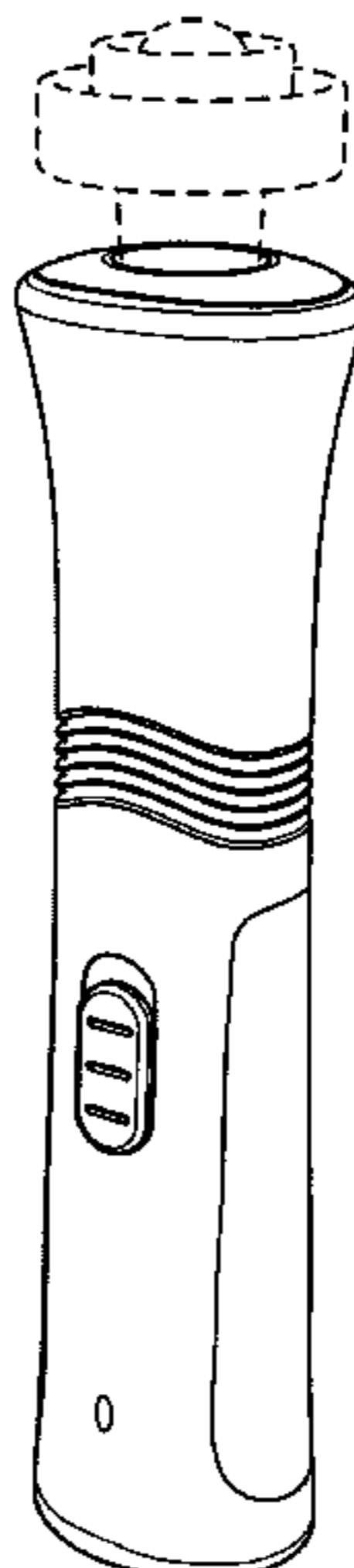
FIG. 10 is a rear view of the wand massager of FIG. 7;

FIG. 11 is a top view of same; and,

FIG. 12 is a bottom view of same.

The structure shown in broken lines is for environmental purposes only and does not form part of the claimed invention.

1 Claim, 4 Drawing Sheets



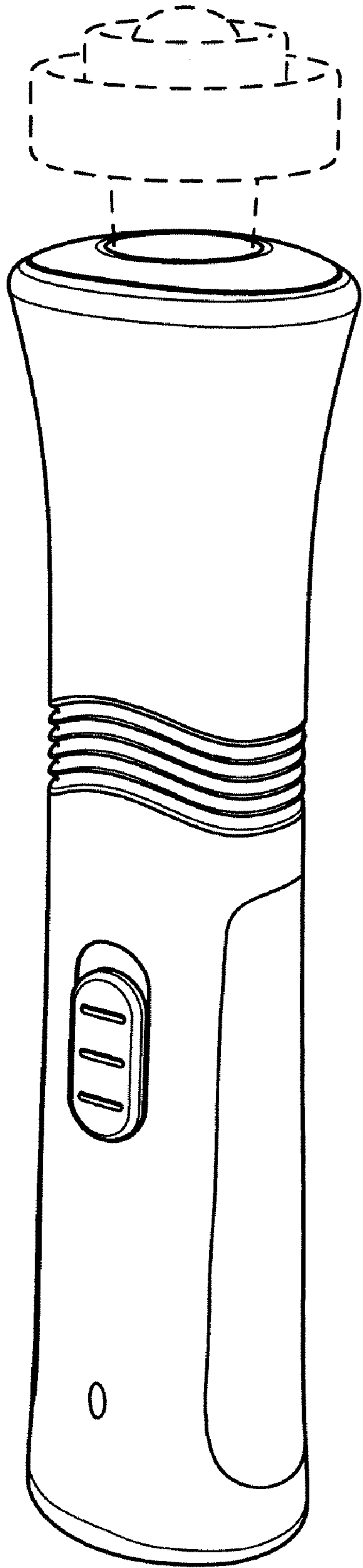


Fig.1

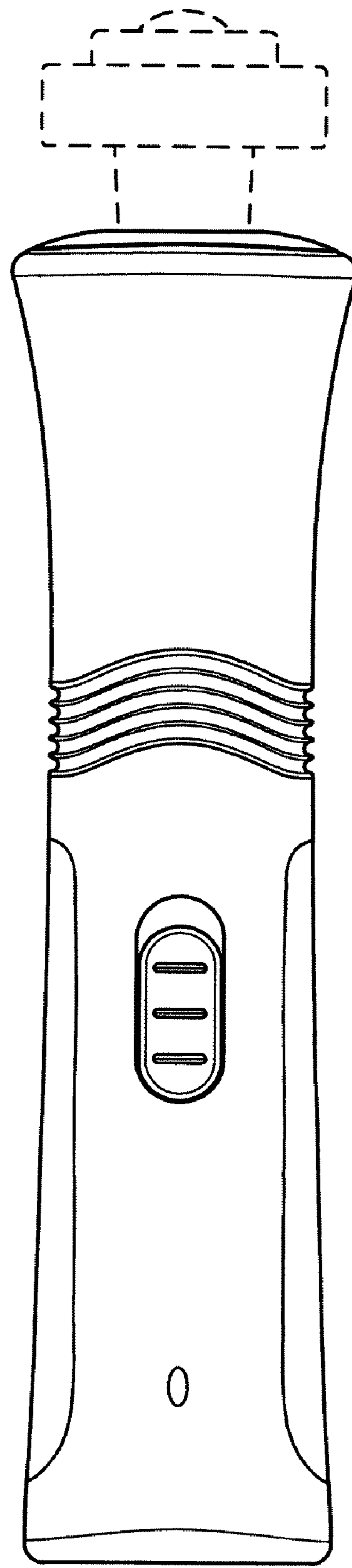


Fig.2

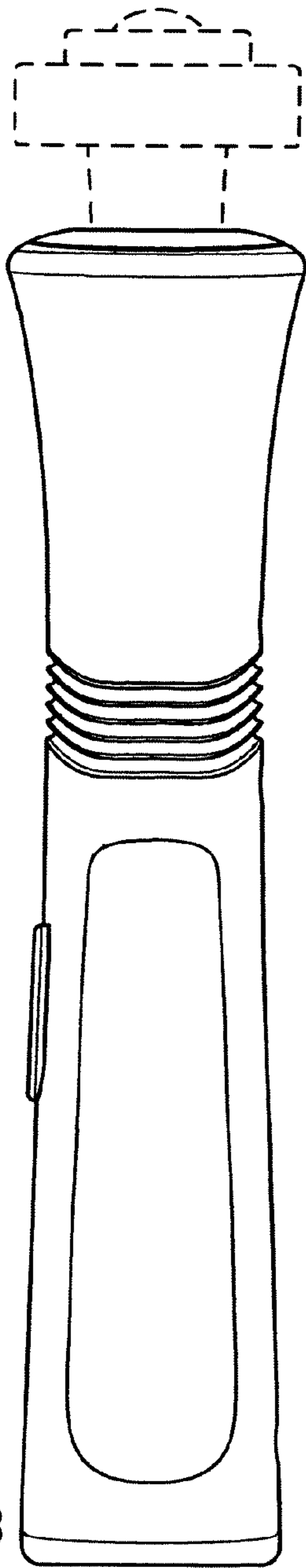


Fig.3

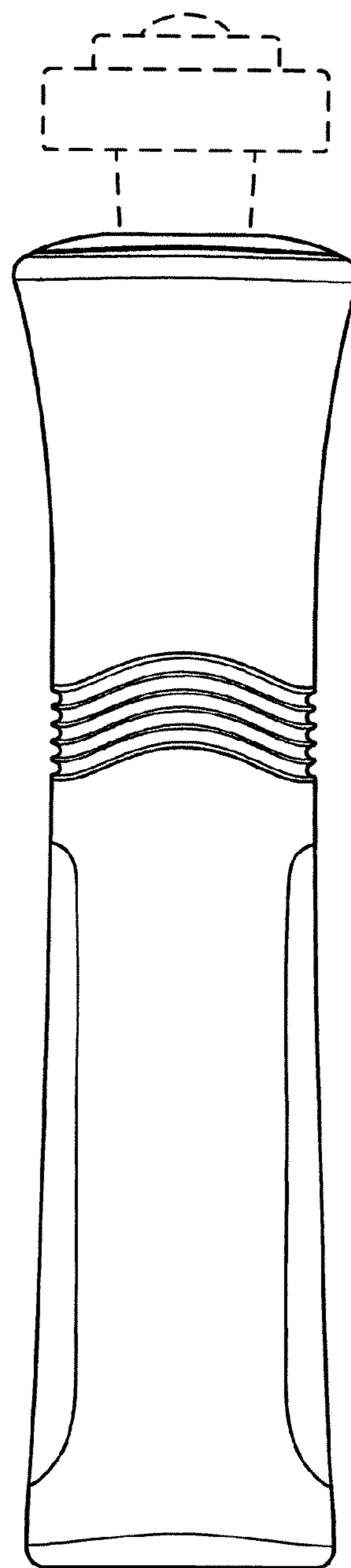


Fig.4

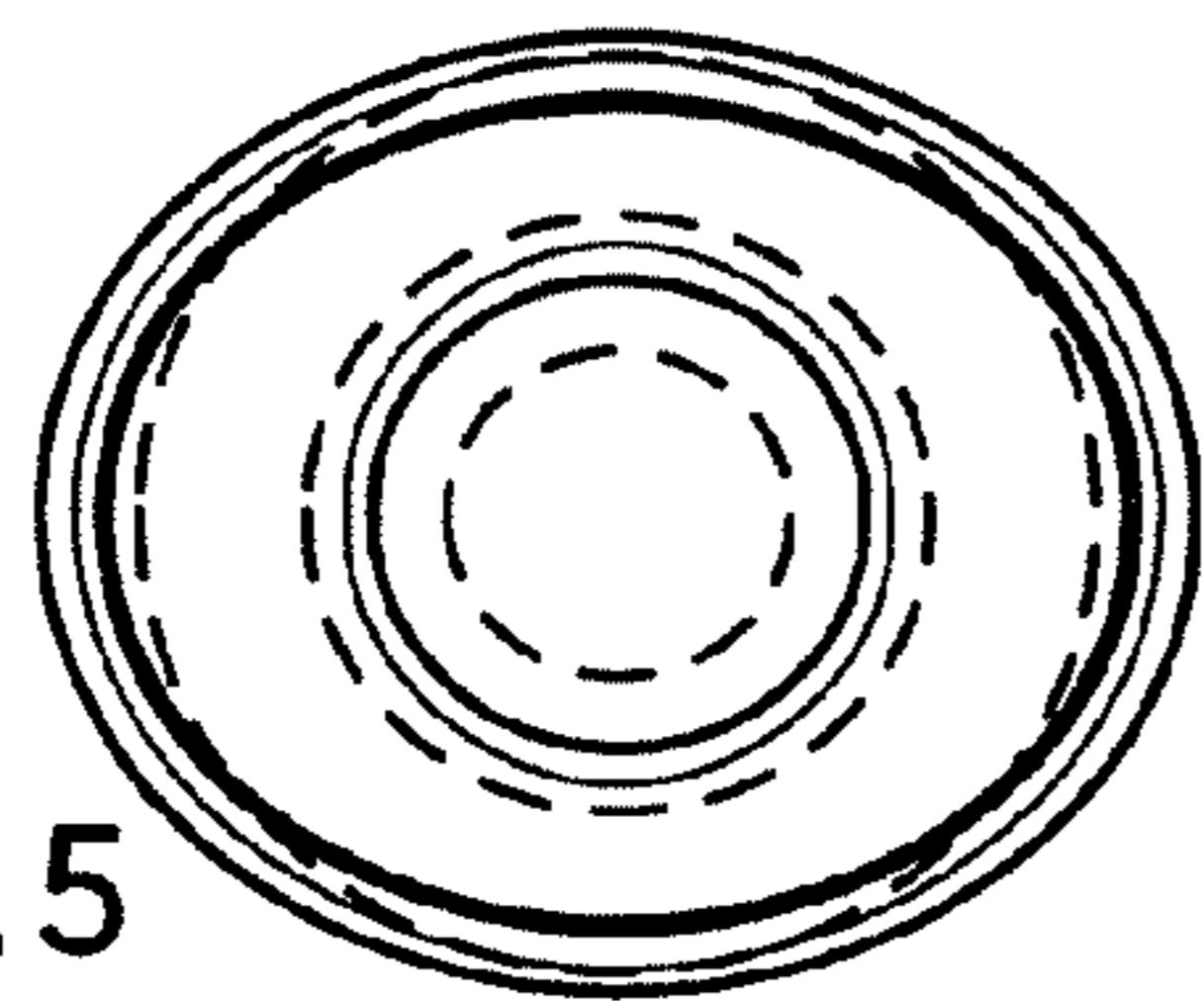


Fig.5

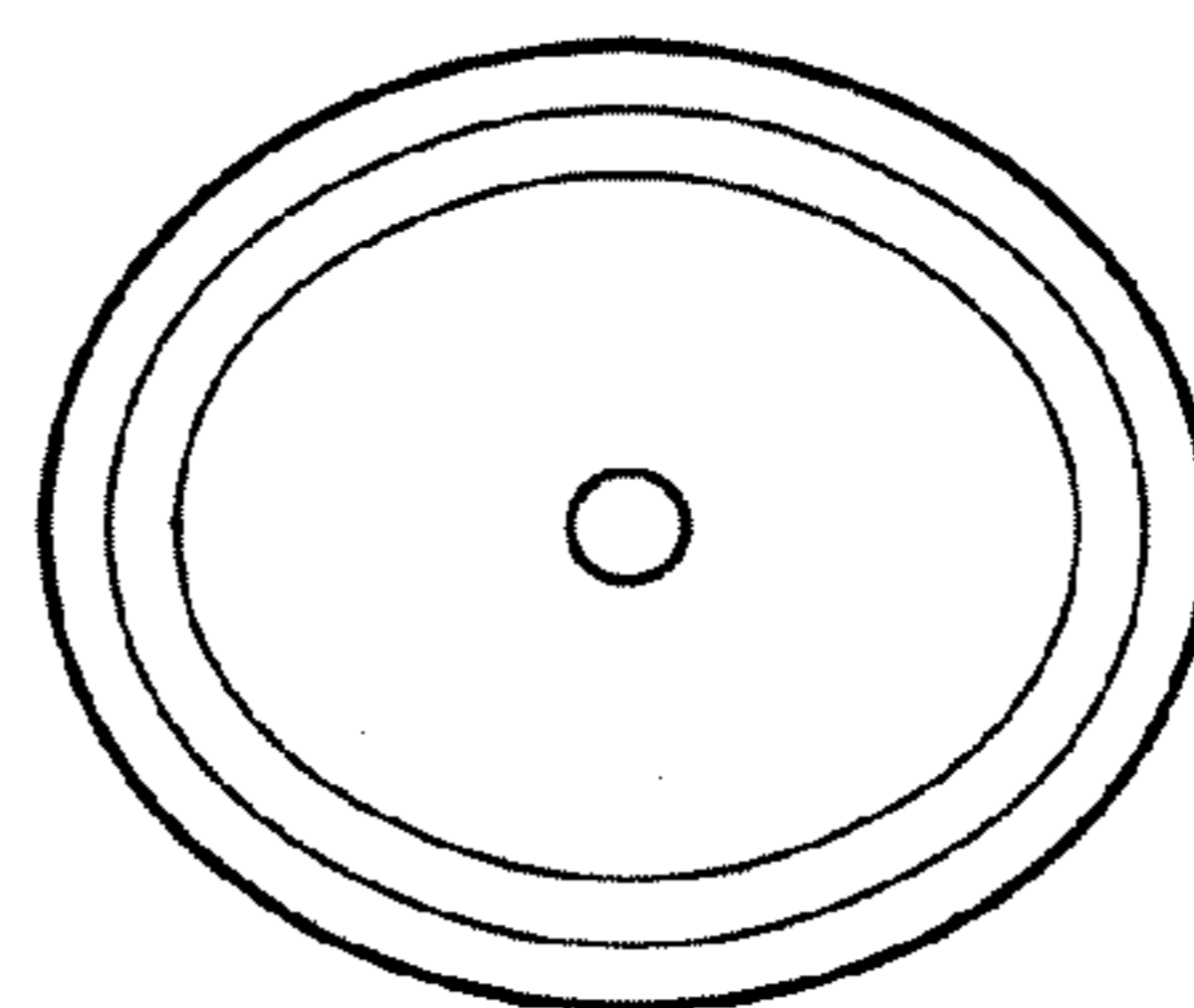


Fig.6

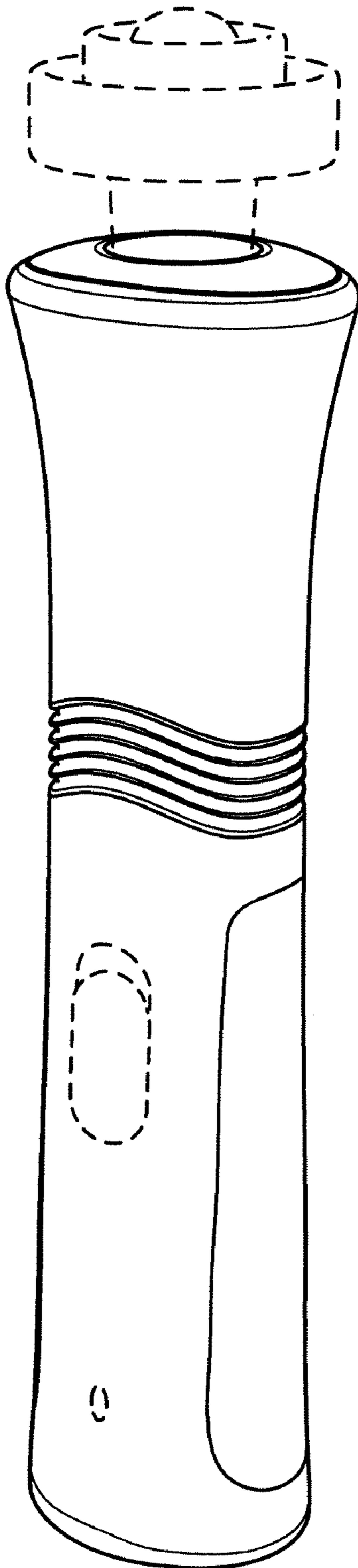


Fig.7

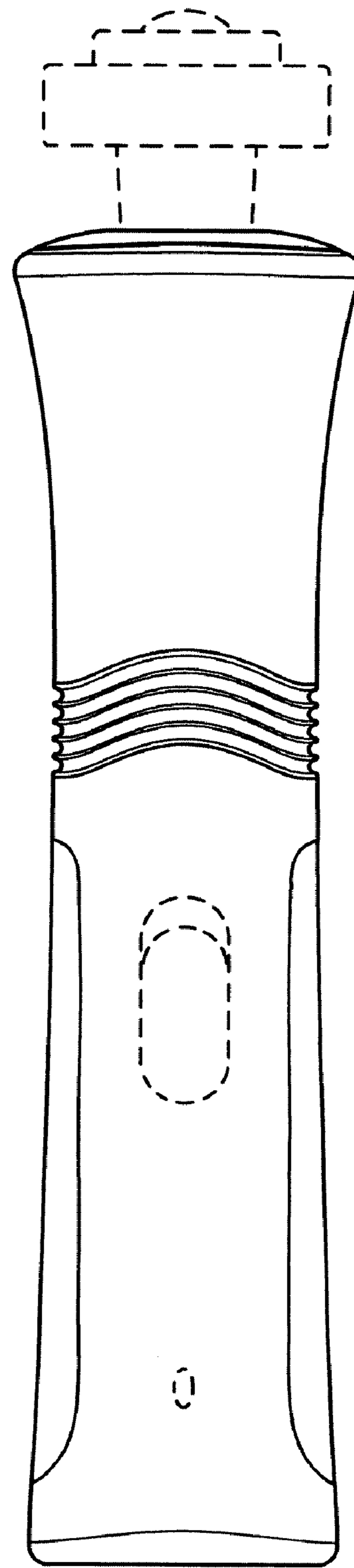


Fig.8

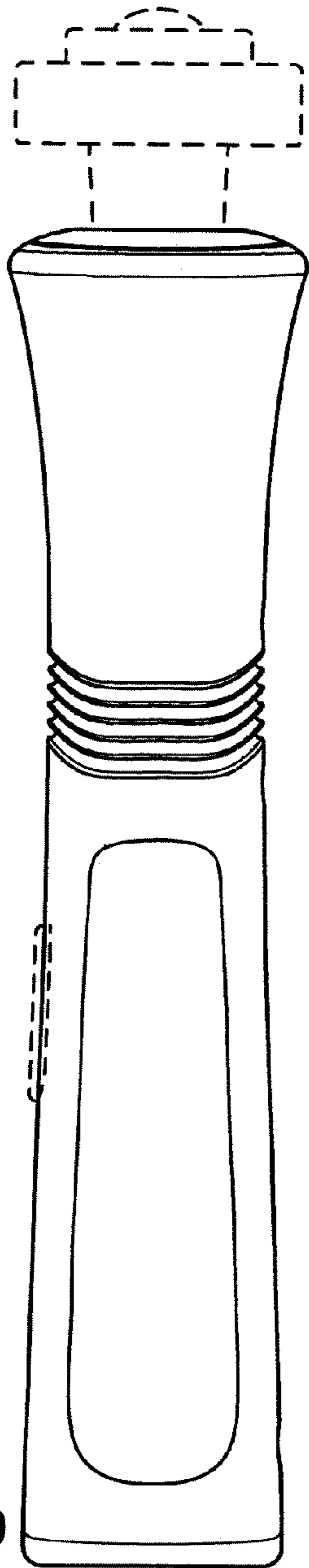


Fig. 9

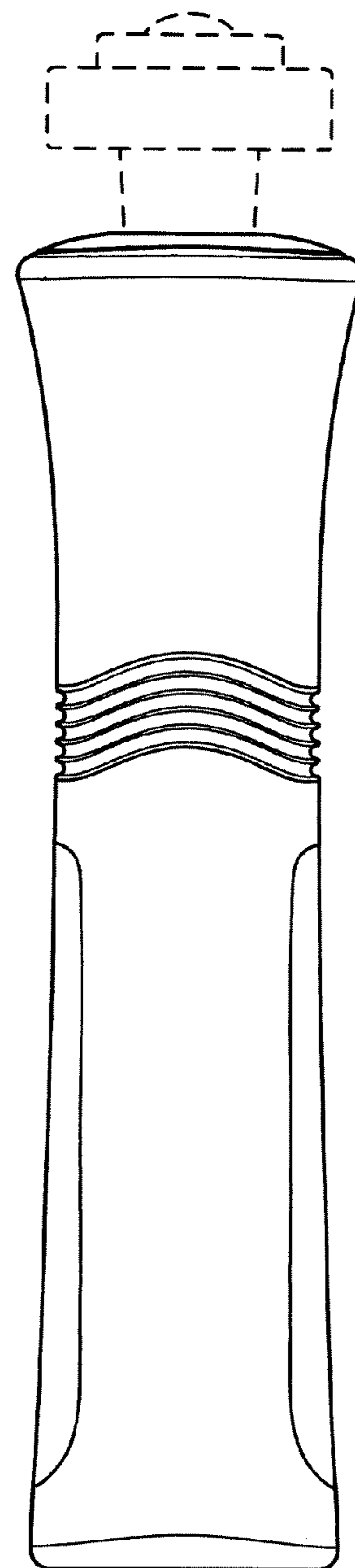


Fig. 10

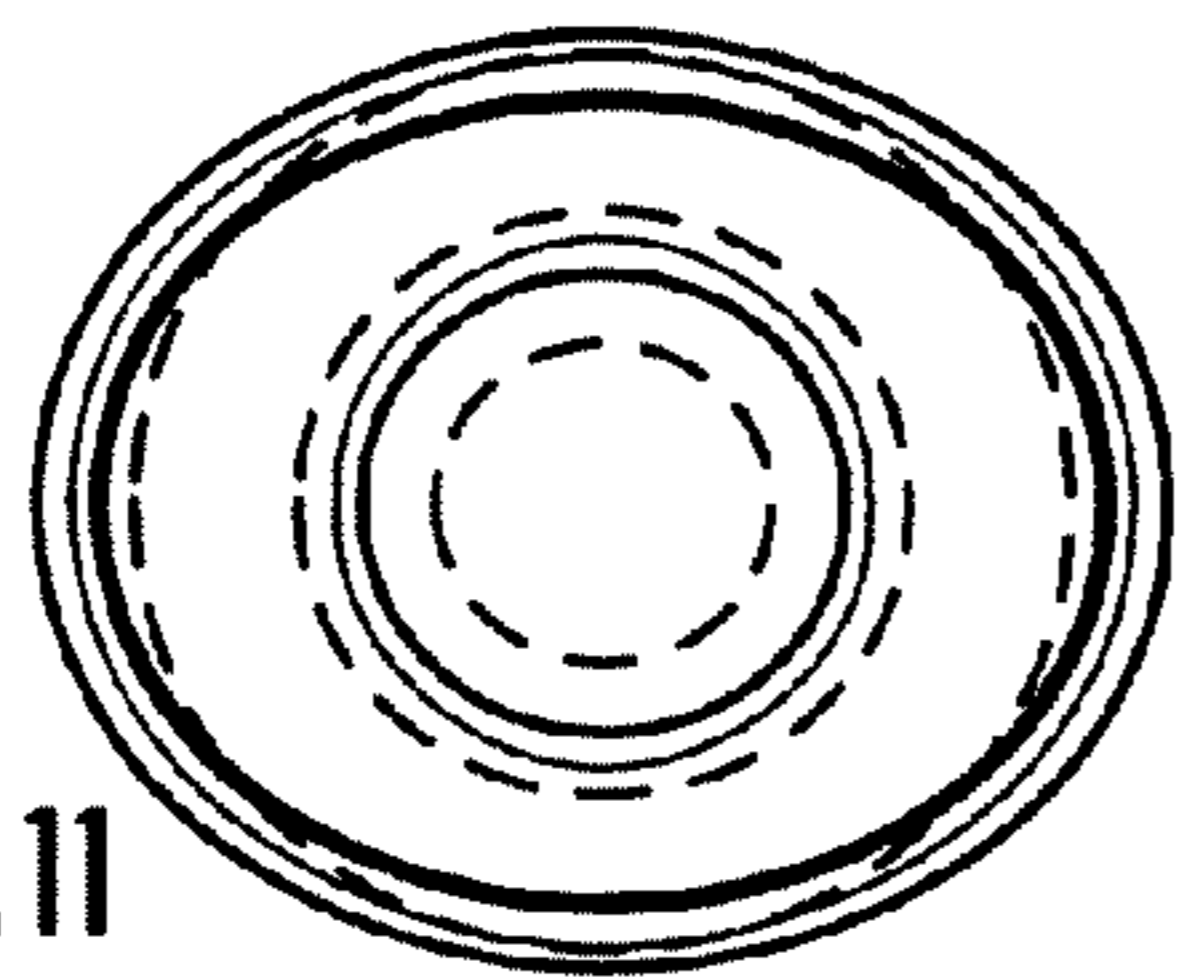


Fig. 11

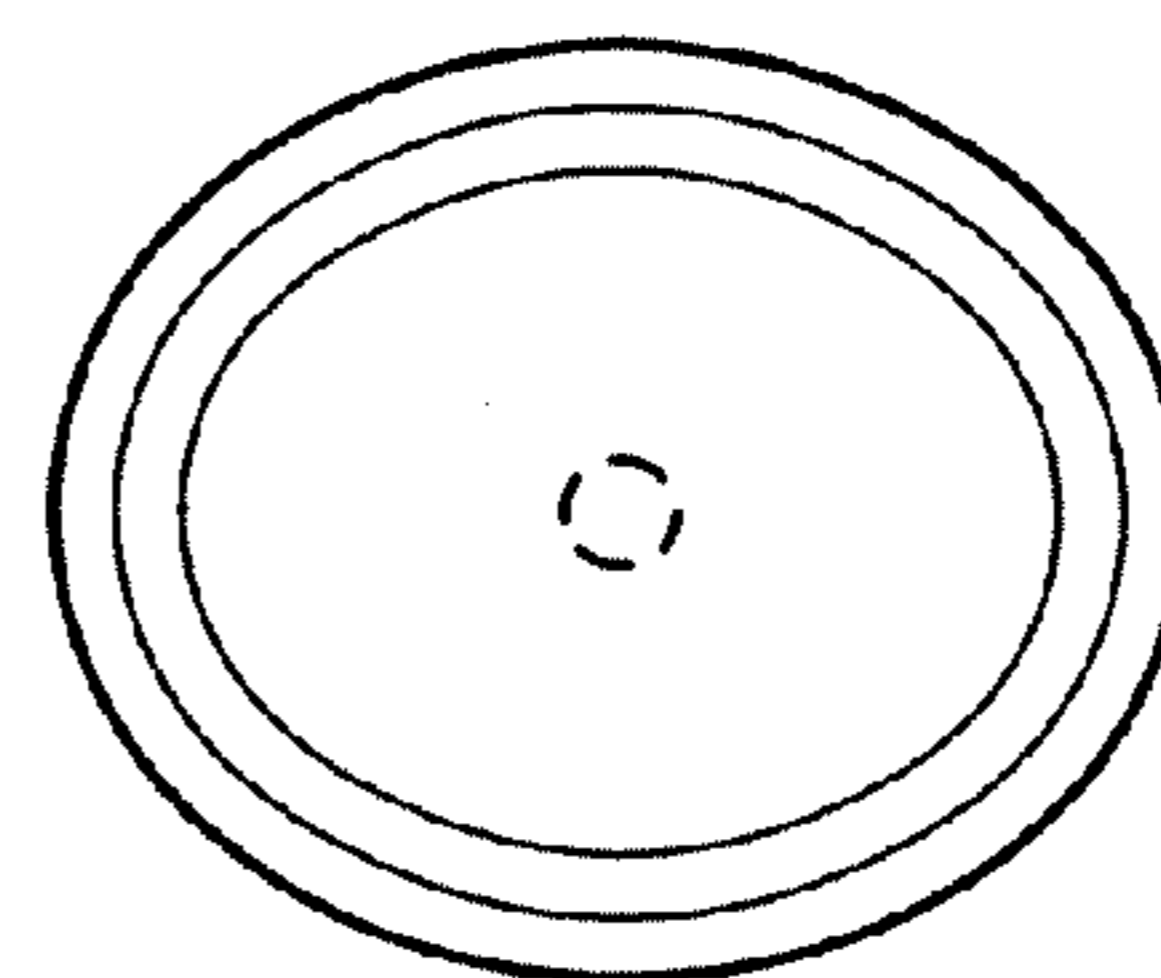


Fig. 12