



US00D623302S

(12) **United States Design Patent**
Barrett et al.

(10) **Patent No.:** **US D623,302 S**
(45) **Date of Patent:** **** Sep. 7, 2010**

(54) **OPTICAL SENSOR BLOOD FLOW CHAMBER**

(75) Inventors: **Louis L. Barrett**, West Point, UT (US);
Perry N. Law, Centerville, UT (US)

(73) Assignee: **Hema Metrics, LLC**, Kaysville, UT (US)

(**) Term: **14 Years**

(21) Appl. No.: **29/353,221**

(22) Filed: **Jan. 5, 2010**

(51) **LOC (9) Cl.** **24-01**

(52) **U.S. Cl.** **D24/169**

(58) **Field of Classification Search** D24/169,
D24/186, 129, 216, 223; D10/81, 96; 600/309,
600/316, 322, 365, 368; D23/262; 128/DIG. 13;
356/39

See application file for complete search history.

(56) **References Cited**

U.S. PATENT DOCUMENTS

D259,278 S *	5/1981	McCaw et al.	D24/129
D296,530 S *	7/1988	Nowacki et al.	D10/96
4,881,413 A *	11/1989	Georgi et al.	128/DIG. 13
D345,707 S *	4/1994	Alister	D10/81
5,351,686 A *	10/1994	Steuer et al.	600/310
D380,262 S *	6/1997	Van Funderburk et al. .	D24/129
D409,750 S *	5/1999	Hacker	D24/169
D410,086 S *	5/1999	Hacker et al.	D24/169

* cited by examiner

Primary Examiner—T. Chase Nelson

Assistant Examiner—Anhdao Doan

(74) *Attorney, Agent, or Firm*—Andrus, Scales, Starke & Sawall, LLP

(57) **CLAIM**

The ornamental design for an optical sensor blood flow chamber, as shown and described.

DESCRIPTION

FIG. 1 is a perspective view of the blood flow chamber.

FIG. 2 is a front view of the blood flow chamber as shown in FIG. 1.

FIG. 3 is a top plan view of the blood flow chamber as shown in FIG. 1.

FIG. 4 is an elevational view taken from the left side of the blood flow chamber as shown in FIG. 1.

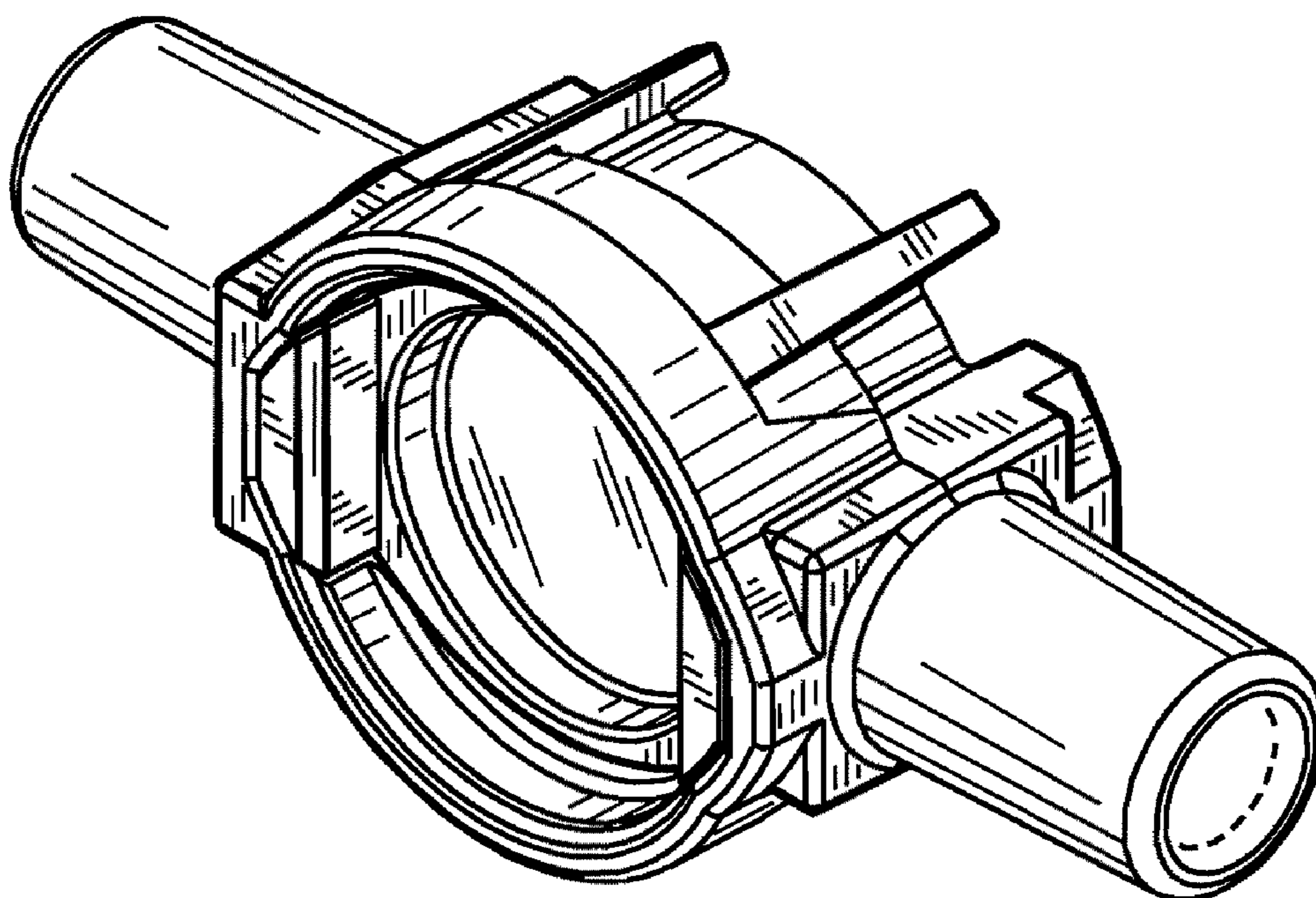
FIG. 5 is an elevational view taken from the right side of the blood flow chamber as shown in FIG. 1.

FIG. 6 is a bottom plan view of the blood flow chamber as shown in FIG. 1; and,

FIG. 7 is a back view of the blood flow chamber as shown in FIG. 1.

The broken lines in FIGS. 1, 4 and 5 are included for the purpose of illustrating portions of the optical sensor blood flow chamber that form no part of the claimed design.

1 Claim, 3 Drawing Sheets



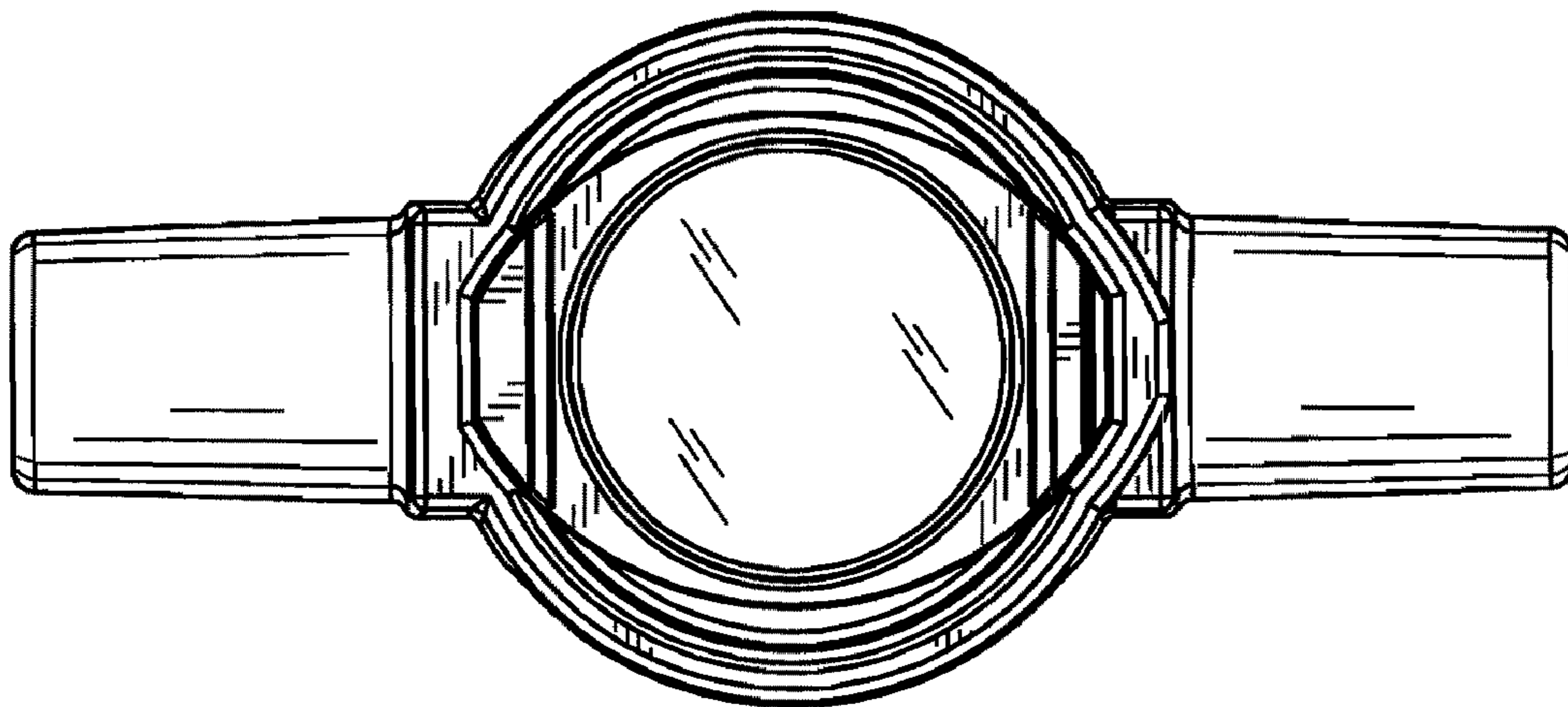
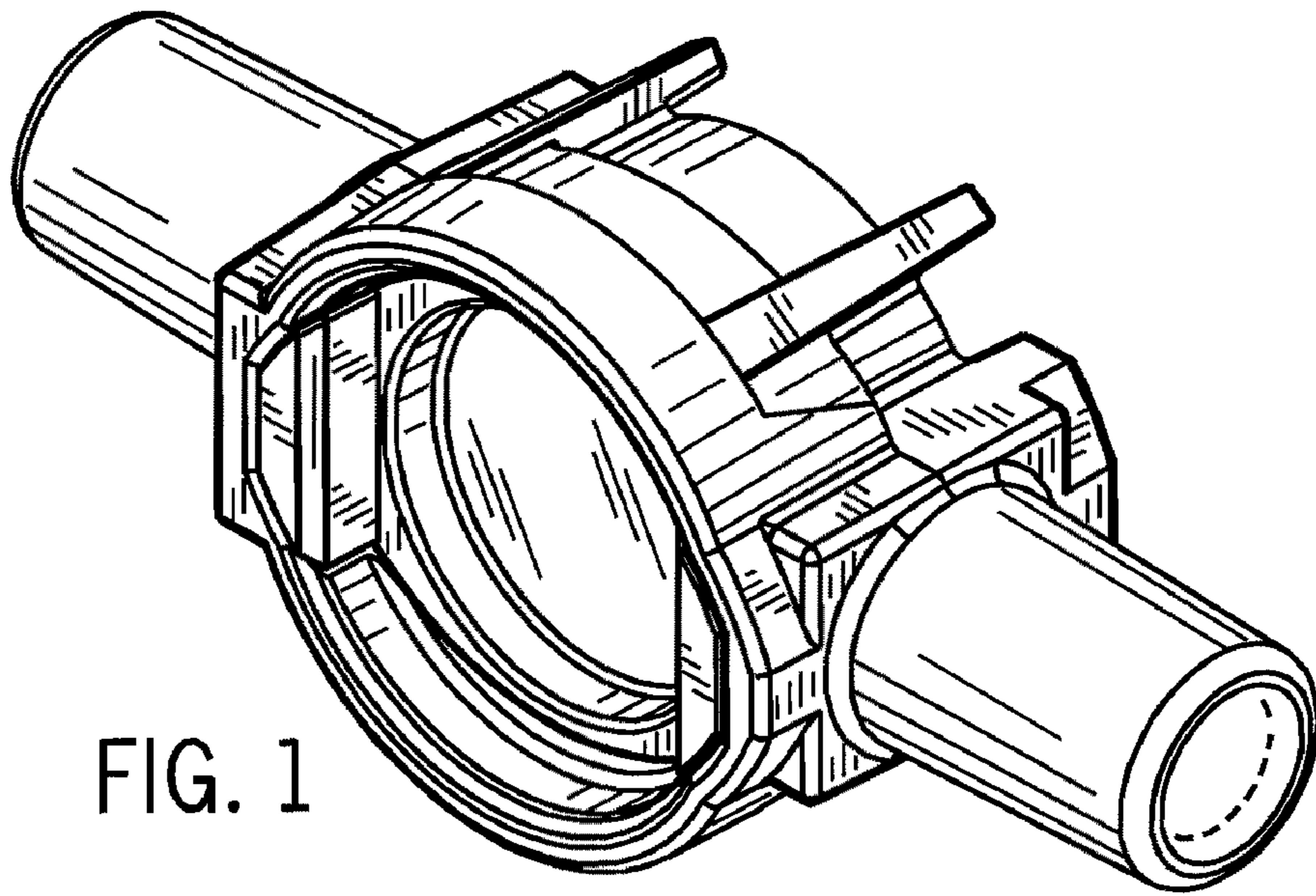


FIG. 2

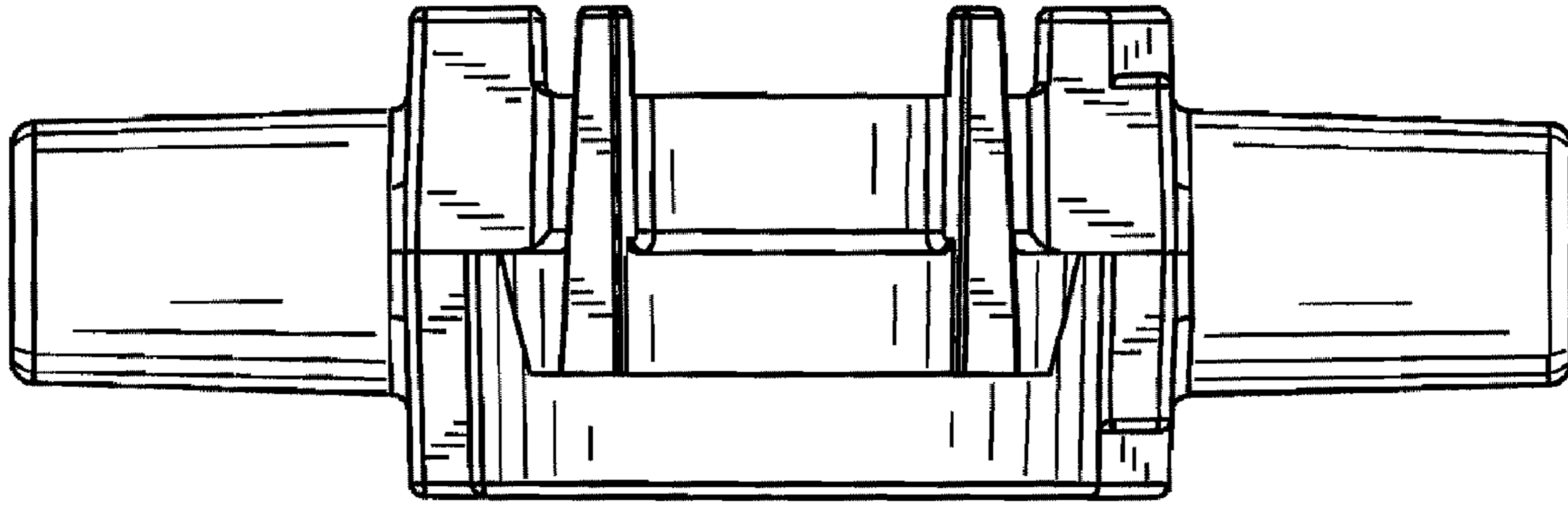


FIG. 3

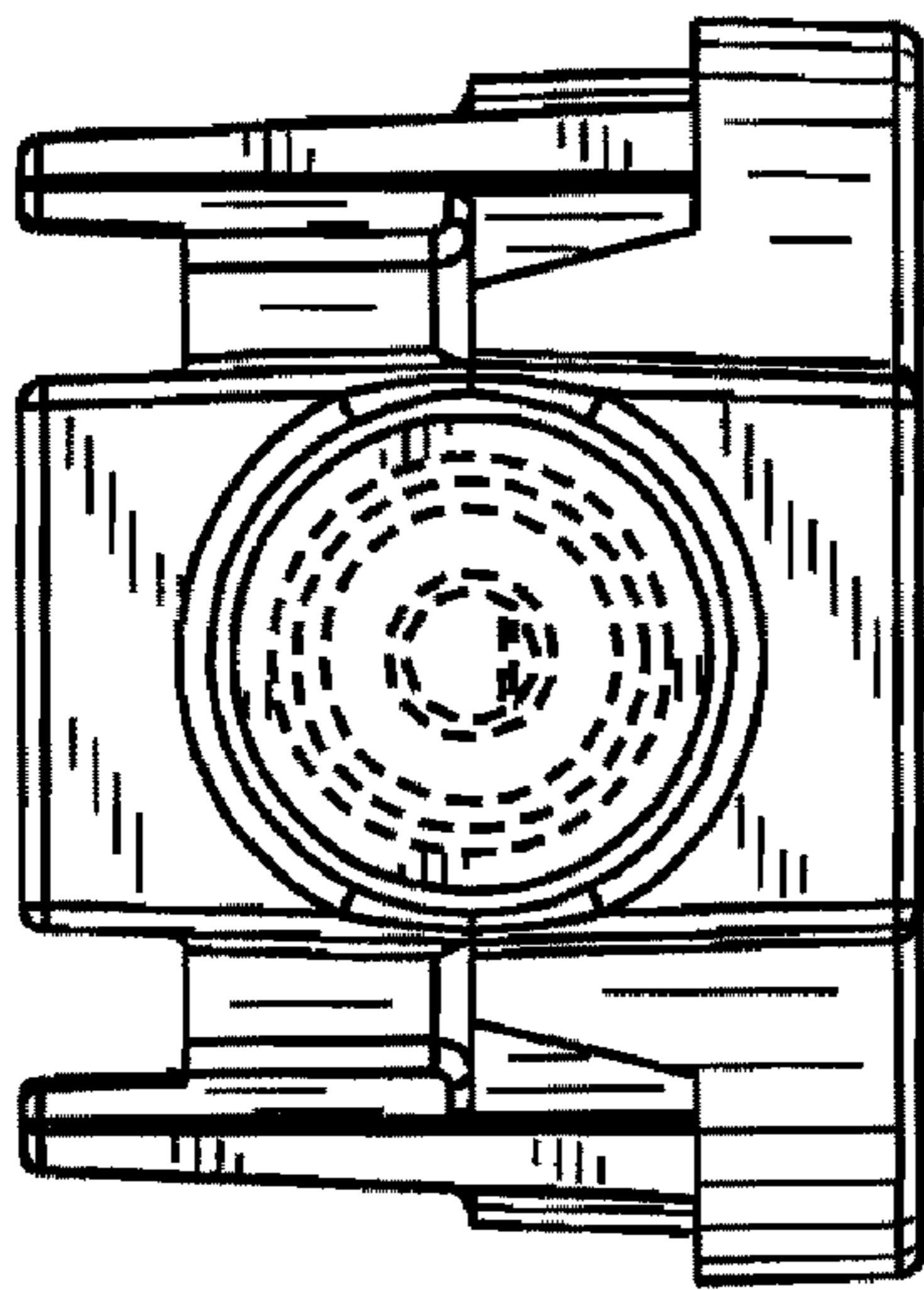


FIG. 4

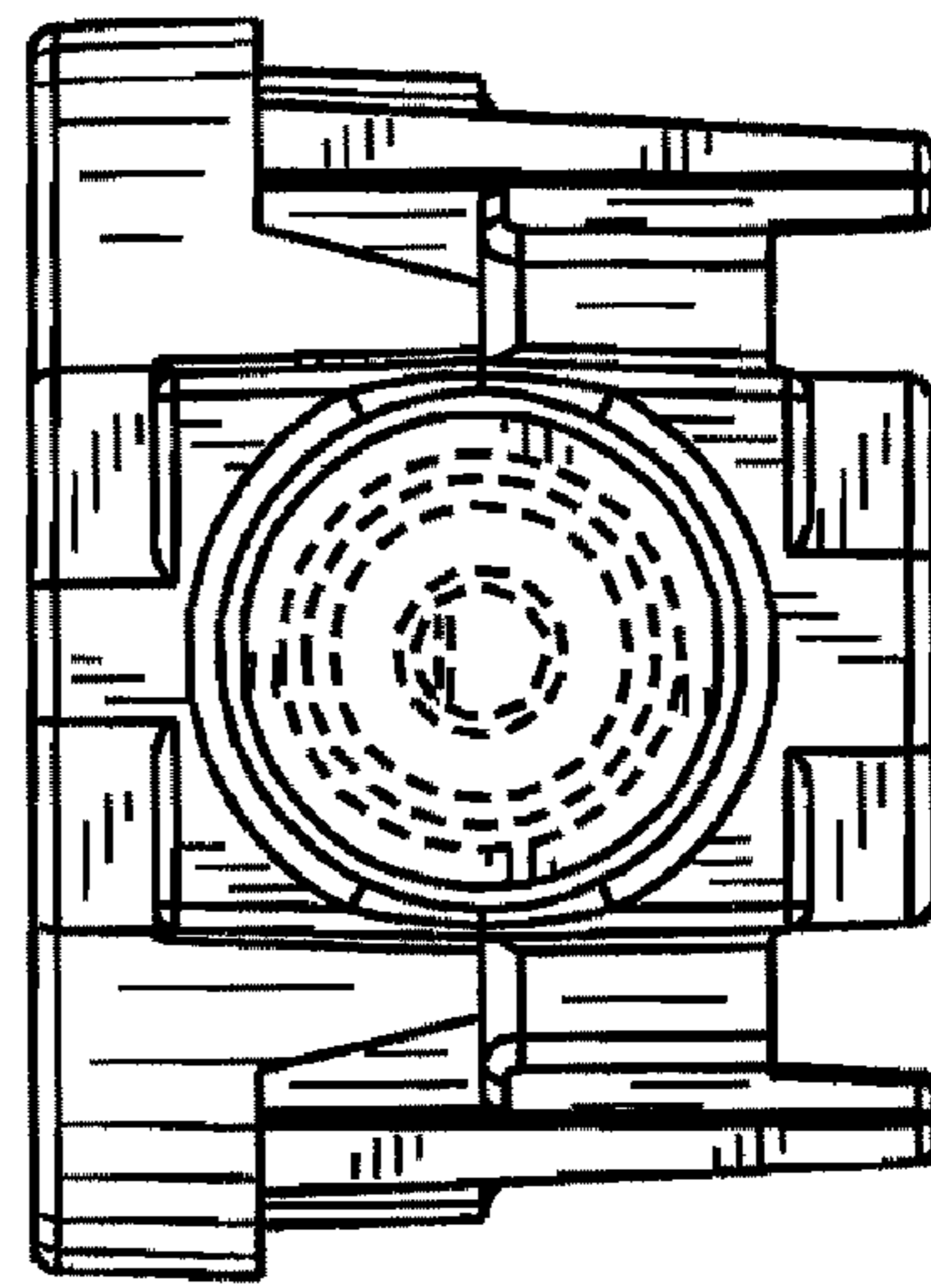


FIG. 5

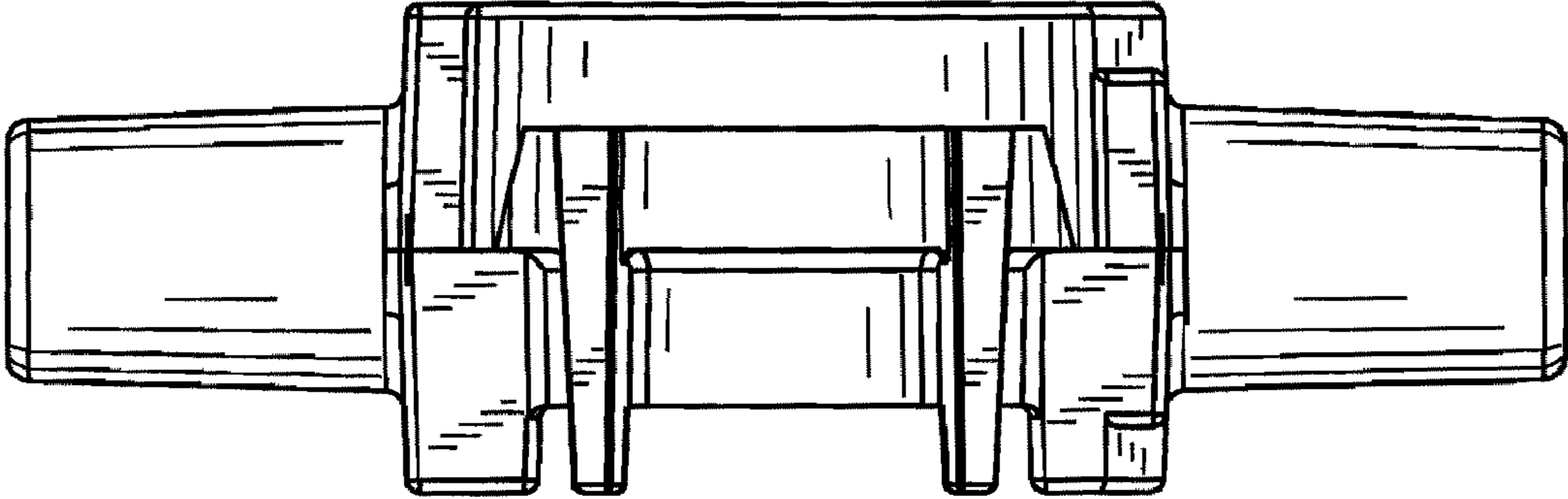


FIG. 6

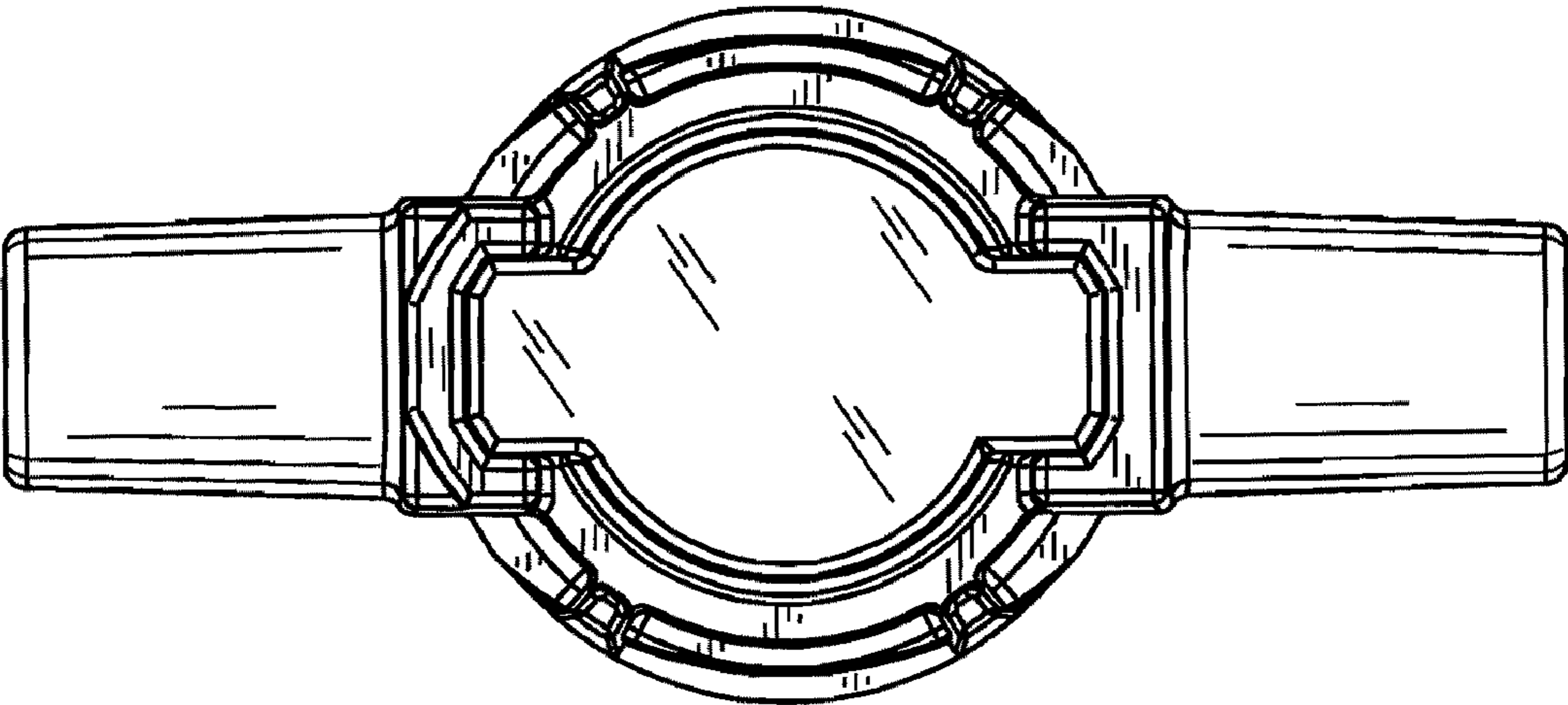


FIG. 7