



US00D623301S

(12) **United States Design Patent**
Wung

(10) **Patent No.:** **US D623,301 S**

(45) **Date of Patent:** **** Sep. 7, 2010**

(54) **EXTERNAL DEFIBRILLATOR**

(75) Inventor: **Peter Wung**, Redmond, WA (US)

(73) Assignee: **Physio-Control, Inc.**, Redmond, WA (US)

(**) Term: **14 Years**

(21) Appl. No.: **29/323,772**

(22) Filed: **Aug. 29, 2008**

(51) **LOC (9) Cl.** **24-01**

(52) **U.S. Cl.** **D24/167**

(58) **Field of Classification Search** D24/165-168,
D24/186; D10/98; 600/301, 481, 483, 485,
600/490, 493-495, 500, 501, 503; 128/900;
607/4-7, 10

See application file for complete search history.

(56) **References Cited**

U.S. PATENT DOCUMENTS

D393,072 S *	3/1998	Rogler	D24/186
D402,758 S *	12/1998	Barkley et al.	D24/167
D414,869 S *	10/1999	Daynes et al.	D24/167
D415,279 S *	10/1999	Daynes et al.	D24/167
D441,450 S *	5/2001	Salvatori et al.	D24/167

D447,241 S *	8/2001	Deck	D24/167
D455,492 S *	4/2002	Daynes et al.	D24/167

* cited by examiner

Primary Examiner—T. Chase Nelson

Assistant Examiner—Anhdao Doan

(74) *Attorney, Agent, or Firm*—Shumaker & Sieffert, P.A.

(57) **CLAIM**

The ornamental design for an external defibrillator, as shown and described.

DESCRIPTION

FIG. 1 is a perspective view of the external defibrillator; FIG. 2 is a front view of the external defibrillator of FIG. 1; FIG. 3 is a rear view of the external defibrillator of FIG. 1; FIG. 4 is a side view of the external defibrillator of FIG. 1; FIG. 5 is a side view of the external defibrillator of FIG. 1; FIG. 6 is a top view of the external defibrillator of FIG. 1; and FIG. 7 is a bottom view of the external defibrillator of FIG. 1

The broken lines in the drawing views are included for the purpose of illustrating portions of the external defibrillator that form no part of the claimed design.

1 Claim, 7 Drawing Sheets

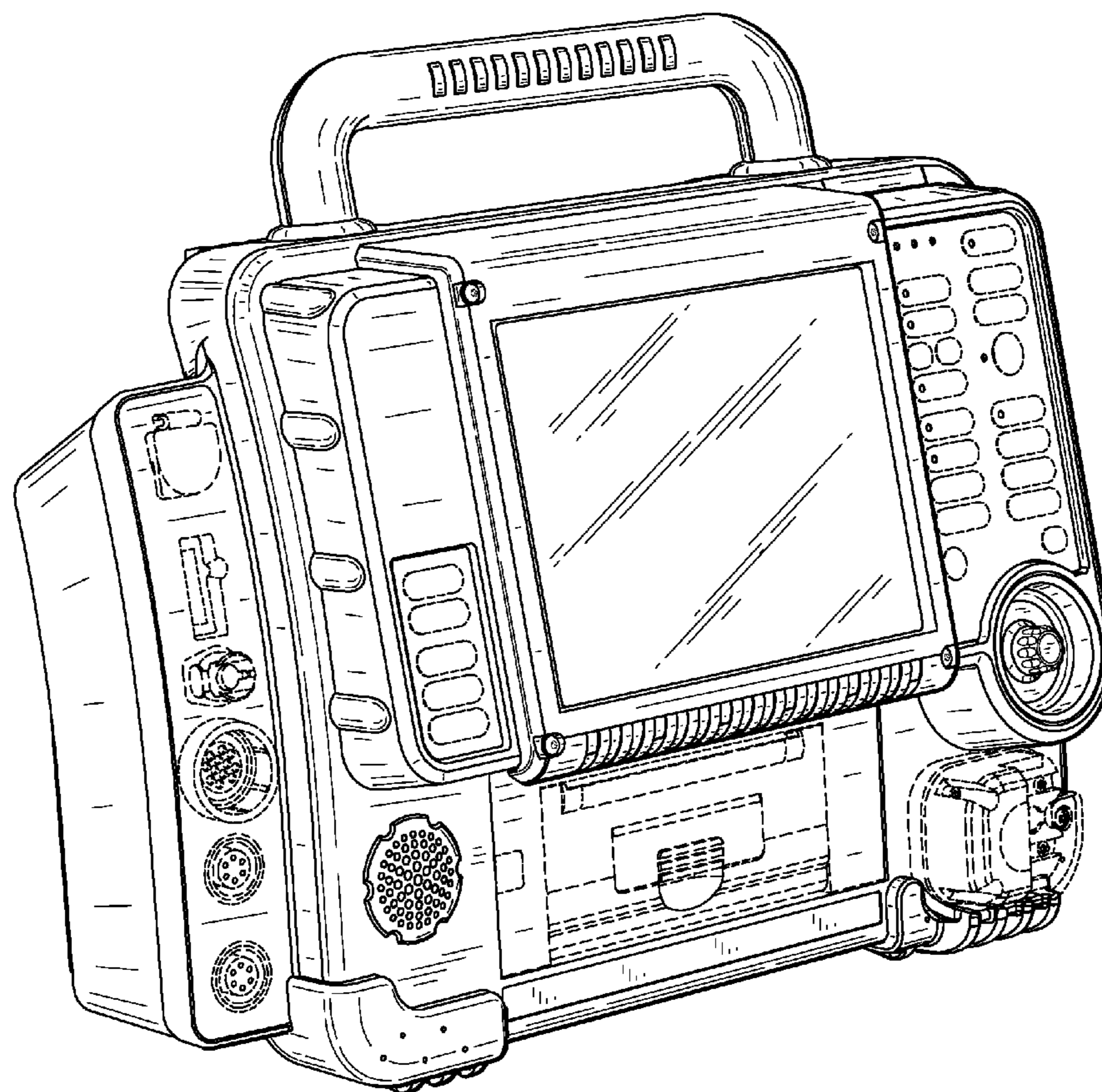


FIG. 1

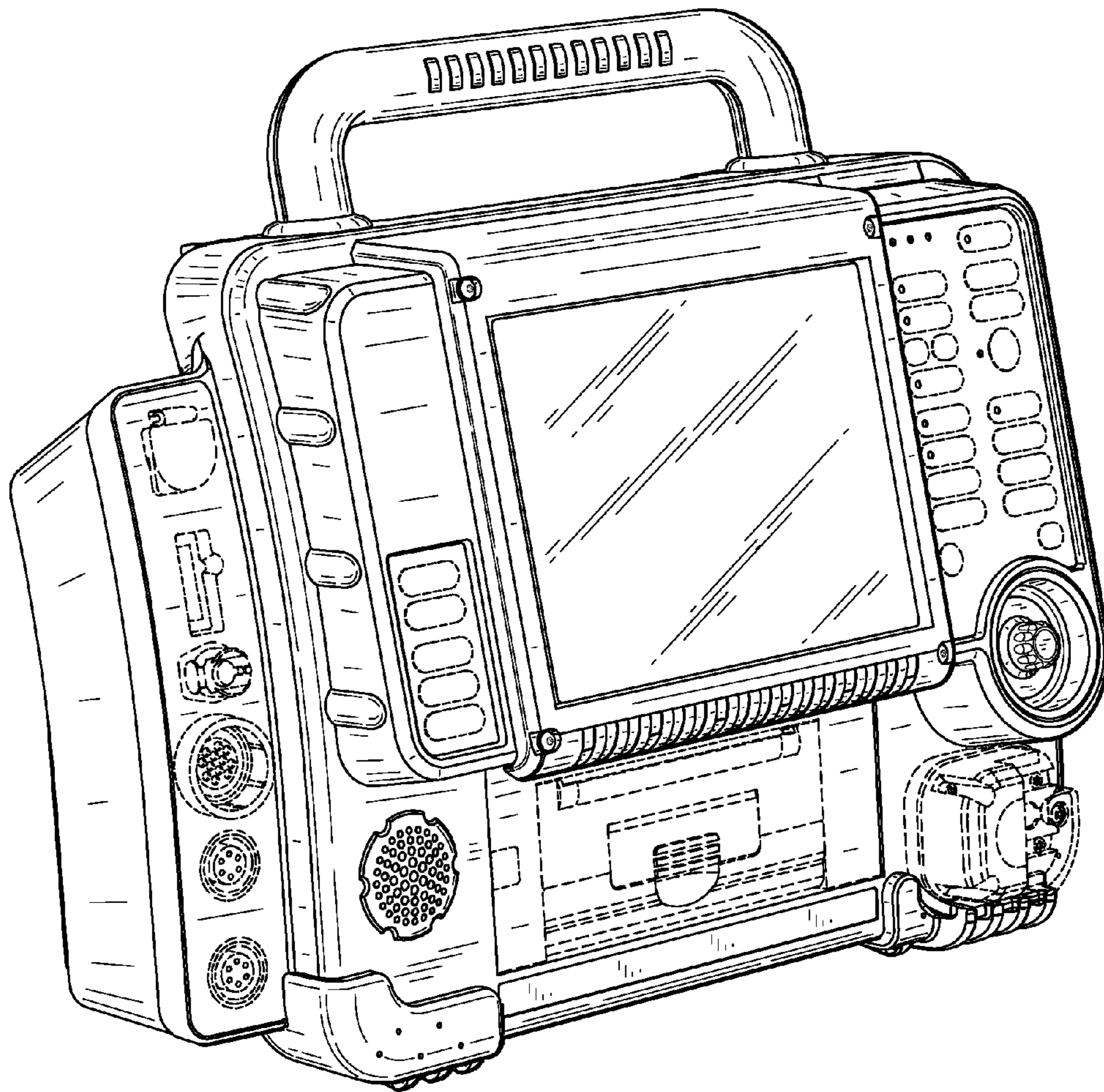


FIG. 2

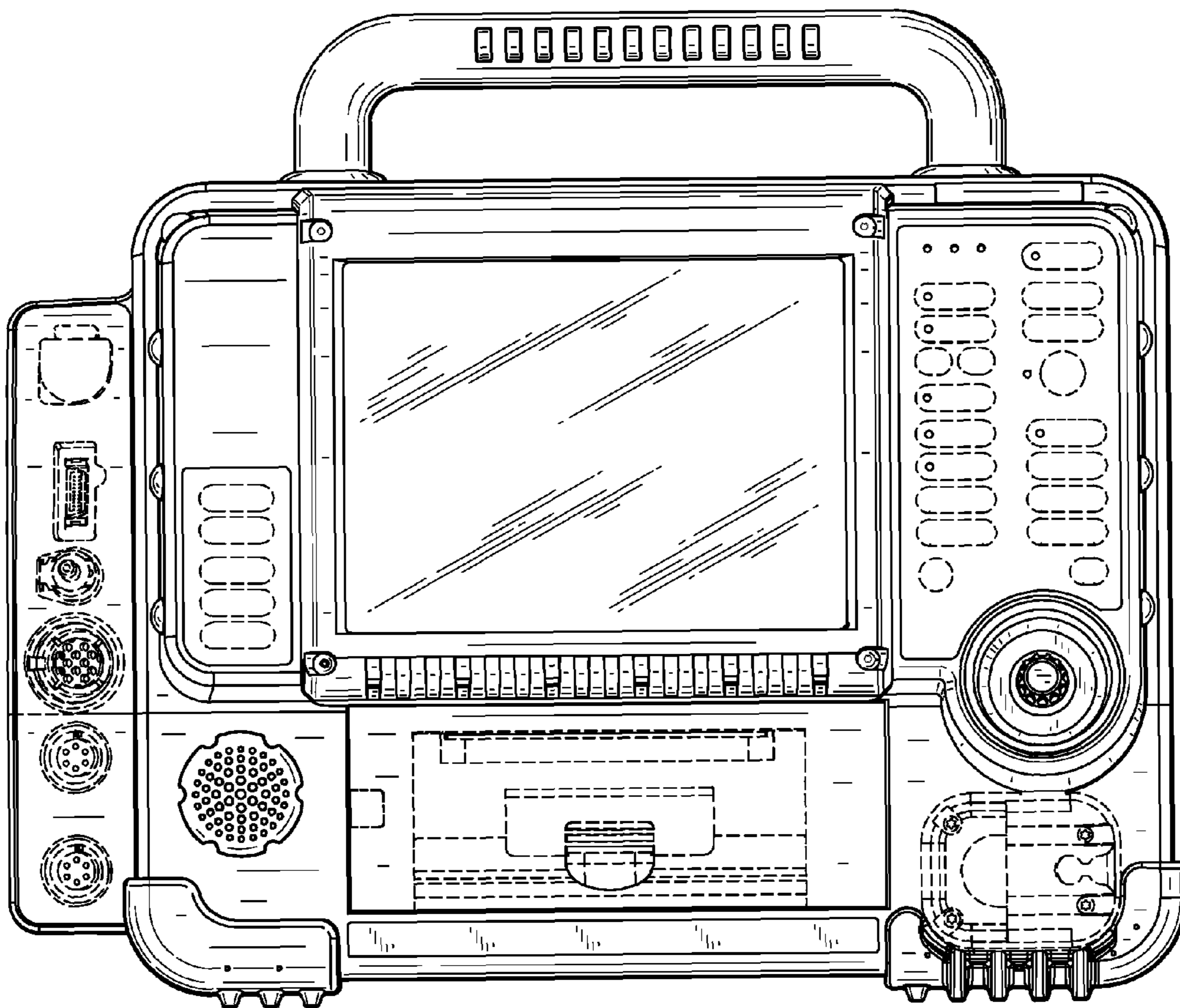


FIG. 3

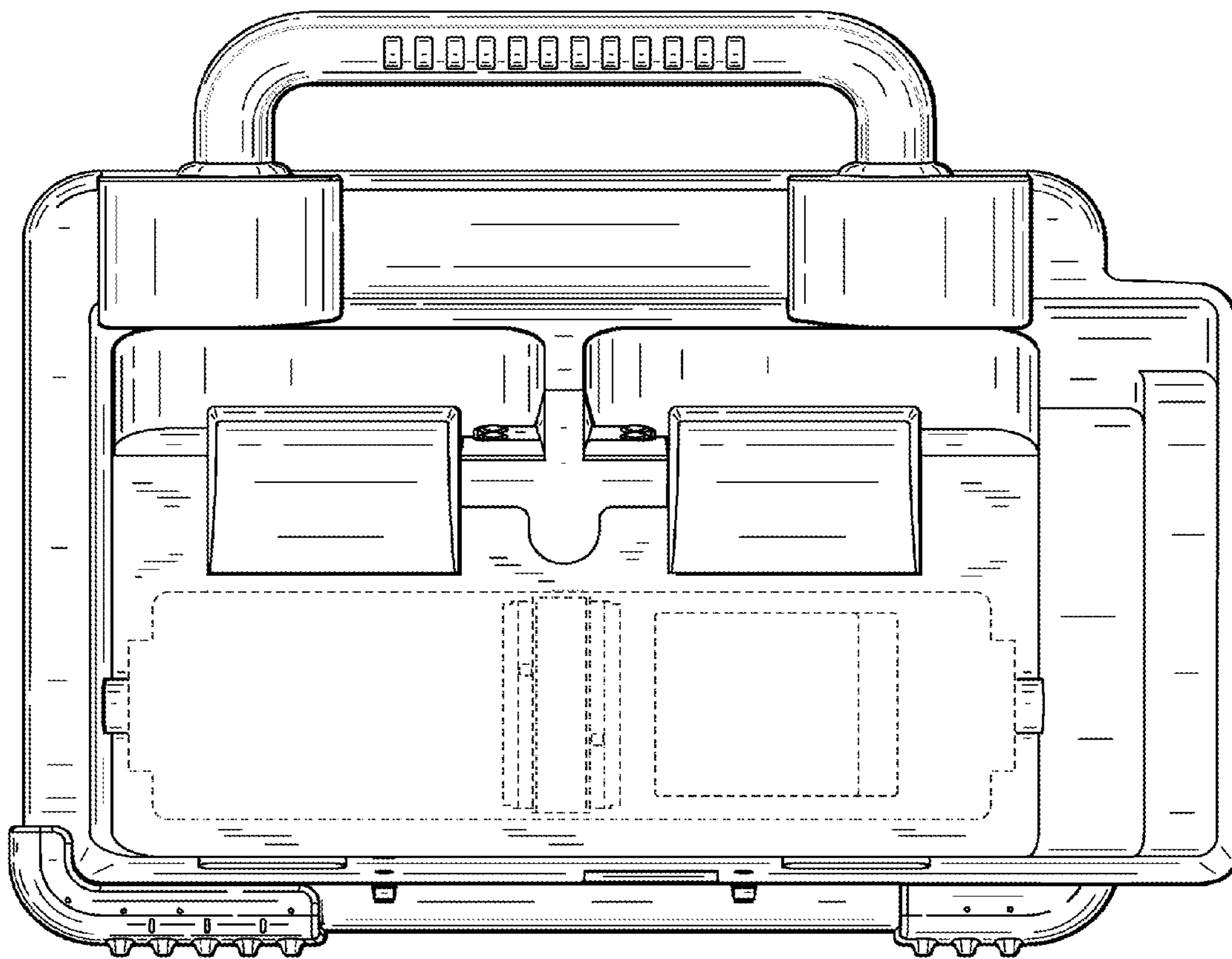


FIG. 4

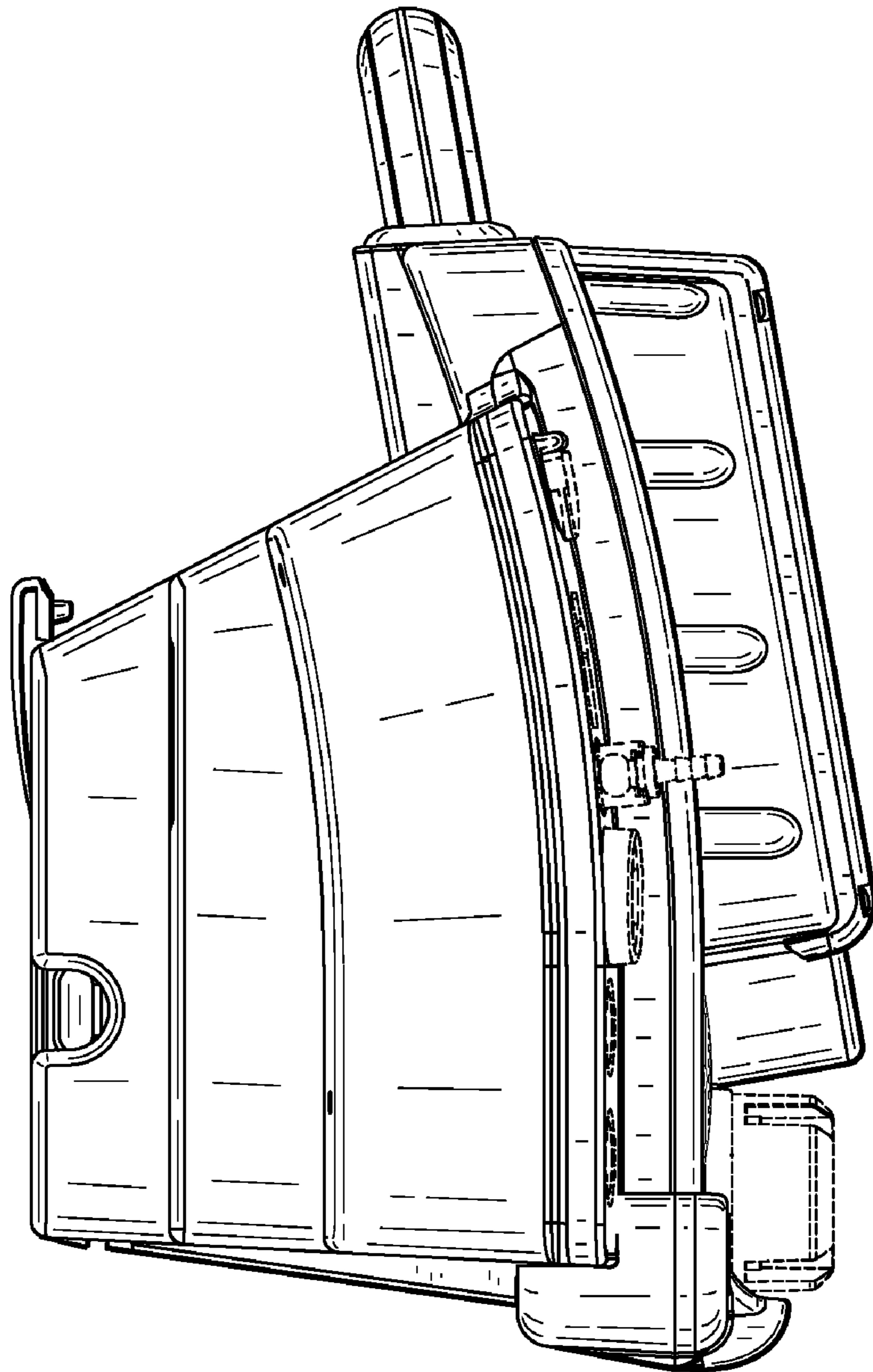


FIG. 5

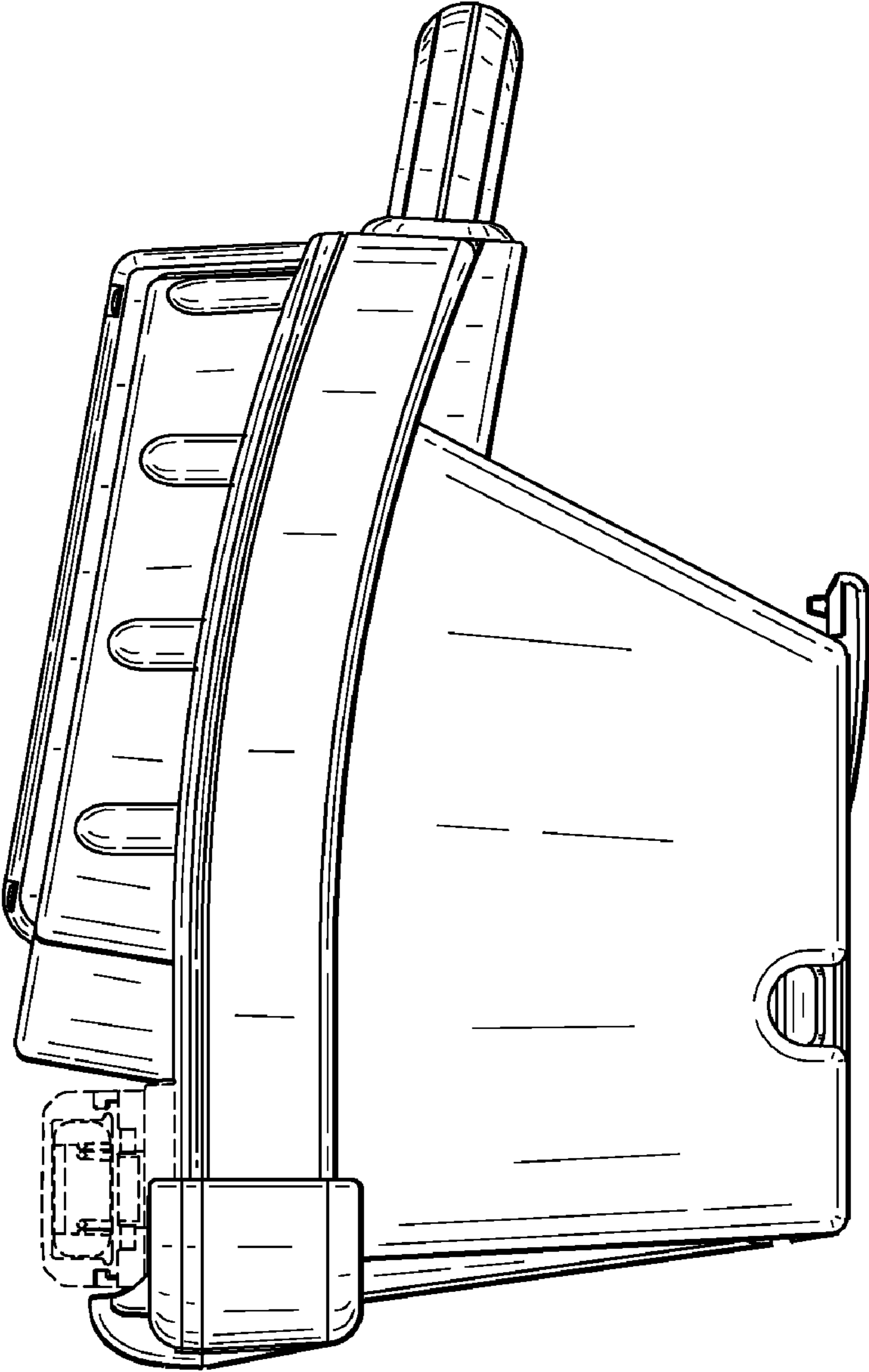


FIG. 6

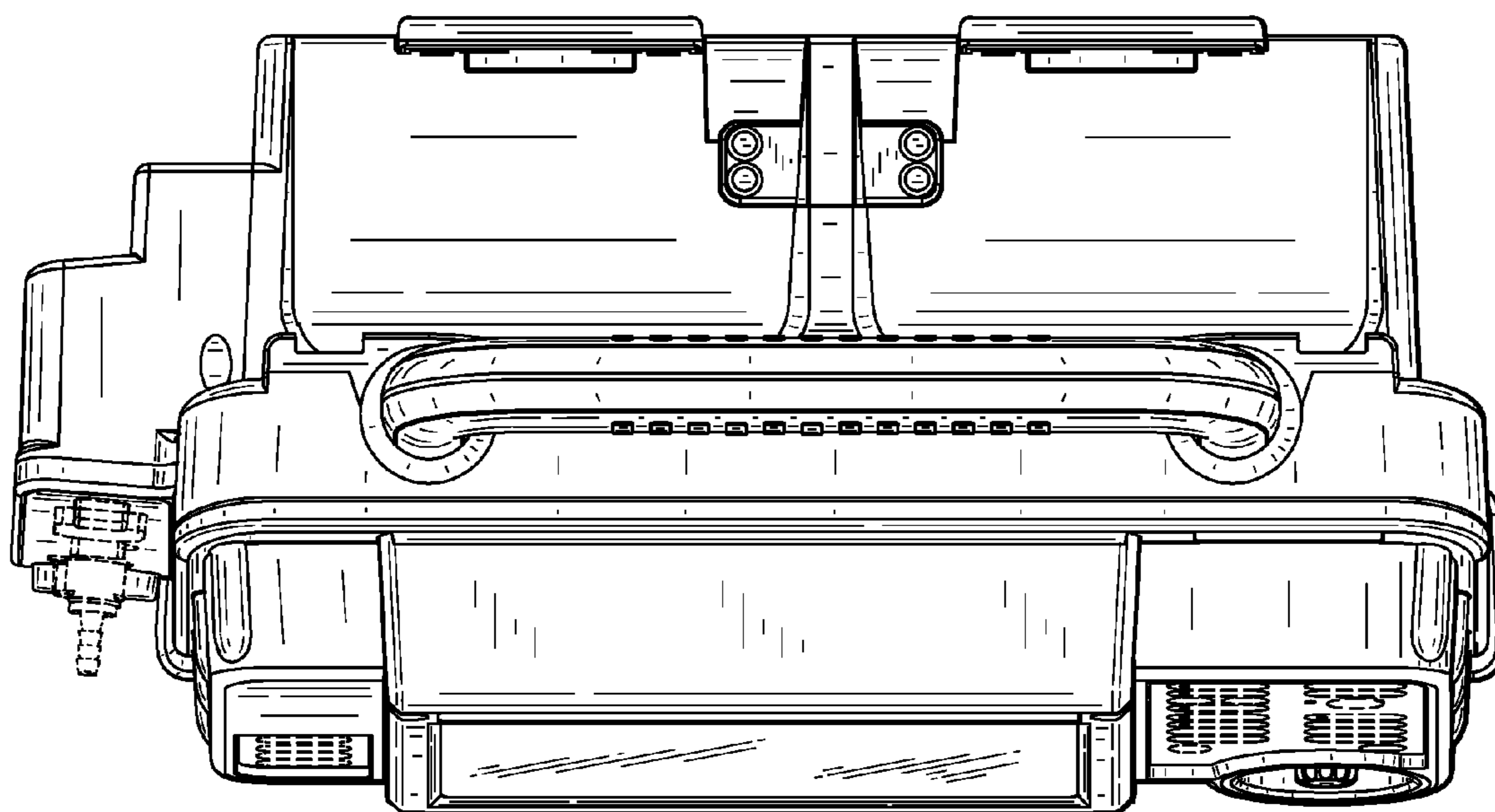


FIG. 7

