



US00D623300S

(12) **United States Design Patent**  
**Zimmerman et al.**

(10) **Patent No.:** **US D623,300 S**

(45) **Date of Patent:** **\*\* Sep. 7, 2010**

(54) **FILTERPLATE**

(75) Inventors: **Oscar Zimmerman**, Potomac, MD (US);  
**Stephen G. Young**, Chicopee, MA (US)

(73) Assignee: **Edge Biosystems**, Gaithersburg, MD  
(US)

(\*\*) Term: **14 Years**

(21) Appl. No.: **29/331,700**

(22) Filed: **Jan. 30, 2009**

(51) **LOC (9) Cl.** ..... **24-01**

(52) **U.S. Cl.** ..... **D24/162**

(58) **Field of Classification Search** ..... D24/162,  
D24/164, 169, 216, 224, 226; D23/209;  
210/198.2, 444-446, 455, 332, 323.1, 323.2;  
422/101

See application file for complete search history.

5,888,831 A	3/1999	Gautsch	
5,906,796 A	5/1999	Blevins	
D412,551 S *	8/1999	Smith et al. ....	D23/209
D414,544 S *	9/1999	Ward et al. ....	D23/209
D416,308 S *	11/1999	Ward et al. ....	D23/209
6,054,100 A	4/2000	Stanchfield	
D437,466 S *	2/2001	Song .....	D32/25
6,200,533 B1	3/2001	Blevins	
D459,284 S *	6/2002	Canady .....	D12/197
6,436,350 B1	8/2002	Stanchfield	
6,464,942 B2	10/2002	Coffman	
6,479,020 B1	11/2002	Stanchfield	
6,491,873 B2	12/2002	Roberts	
6,511,598 B2	1/2003	Gershenson	
6,632,660 B2	10/2003	Ramstad	

(Continued)

*Primary Examiner*—T. Chase Nelson

*Assistant Examiner*—Anhdao Doan

(74) *Attorney, Agent, or Firm*—Banner & Witcoff, Ltd.

(56) **References Cited**

U.S. PATENT DOCUMENTS

3,730,352 A	5/1973	Cohen	
4,154,795 A	5/1979	Thorne	
4,734,192 A	3/1988	Champion	
4,797,259 A	1/1989	Matkovich	
4,828,386 A	5/1989	Matkovich	
4,895,706 A	1/1990	Root	
4,902,481 A	2/1990	Clark	
4,948,442 A	8/1990	Manns	
D312,503 S *	11/1990	Unger et al. ....	D24/162
D320,273 S *	9/1991	Heiden .....	D24/162
5,108,704 A	4/1992	Bowers	
5,141,719 A	8/1992	Fernwood	
5,205,989 A	4/1993	Aysta	
5,264,184 A	11/1993	Aysta	
5,283,039 A	2/1994	Aysta	
5,324,483 A	6/1994	Cody	
5,356,814 A *	10/1994	Carrico et al. ....	435/283.1
5,380,437 A	1/1995	Bertoncini	
5,464,541 A	11/1995	Aysta	
5,620,663 A	4/1997	Aysta	
D407,491 S	3/1999	Rocha	

(57) **CLAIM**

The ornamental design for a filterplate, as shown and described.

**DESCRIPTION**

FIG. 1 is an isometric view of a filterplate showing our new design;

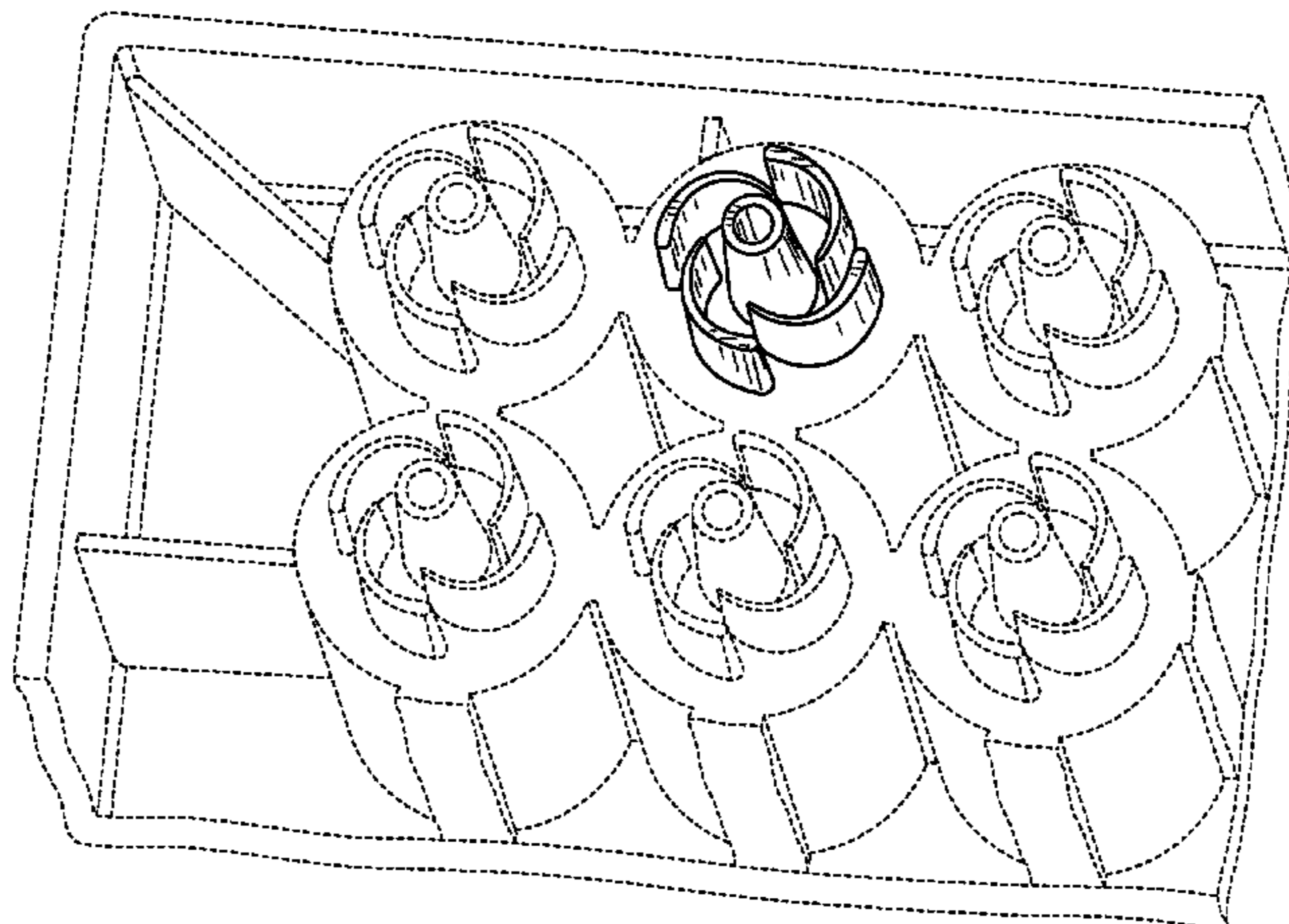
FIG. 2 is a side view thereof;

FIG. 3 is an enlarged isometric sectional view thereof; and,

FIG. 4 is an isometric view of a second embodiment of a filterplate showing our new design; the second embodiment differing from the first embodiment by the curved anti-splash members being in a counter clockwise configuration as opposed to the clockwise configuration of the curved anti-splash members of FIGS. 1-3.

The broken line showing of the remainder of the filterplate is for environmental purposes only and forms no part of the claimed design.

**1 Claim, 4 Drawing Sheets**





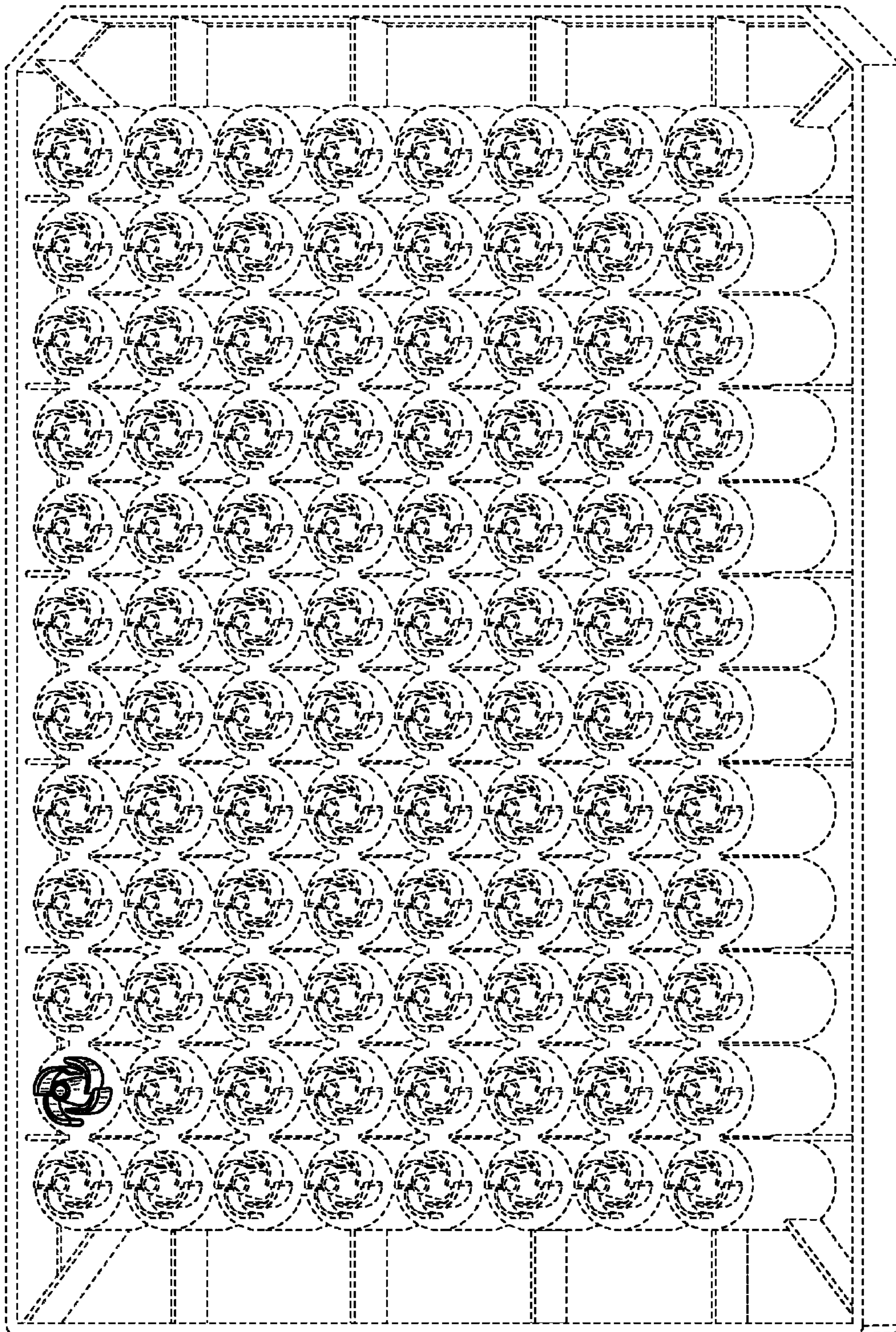


FIG. 1

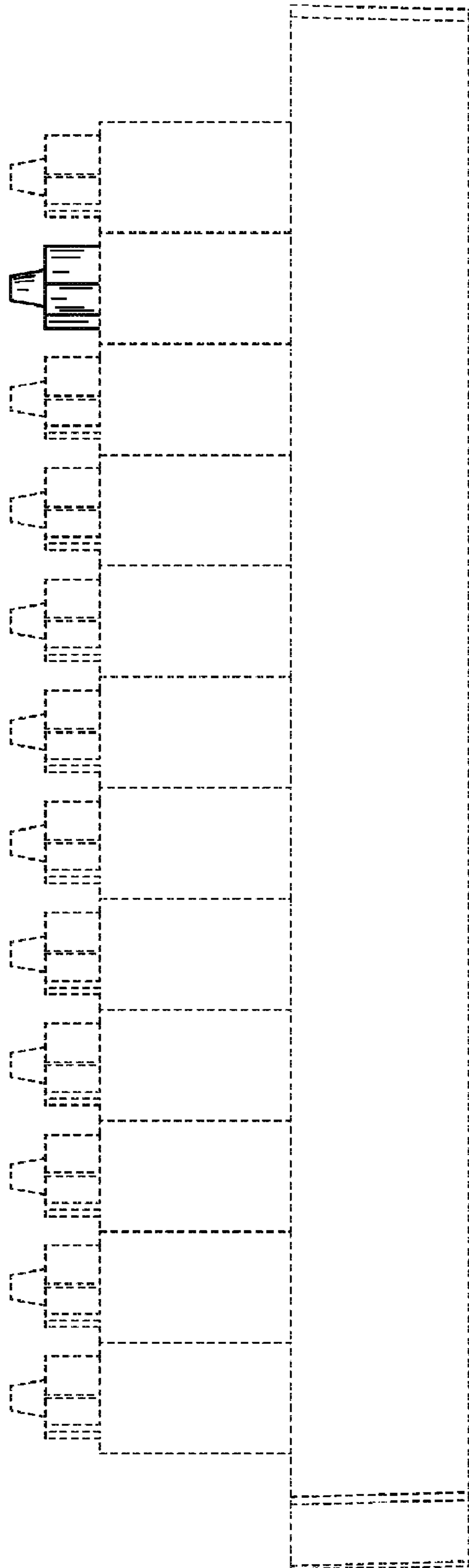


FIG. 2

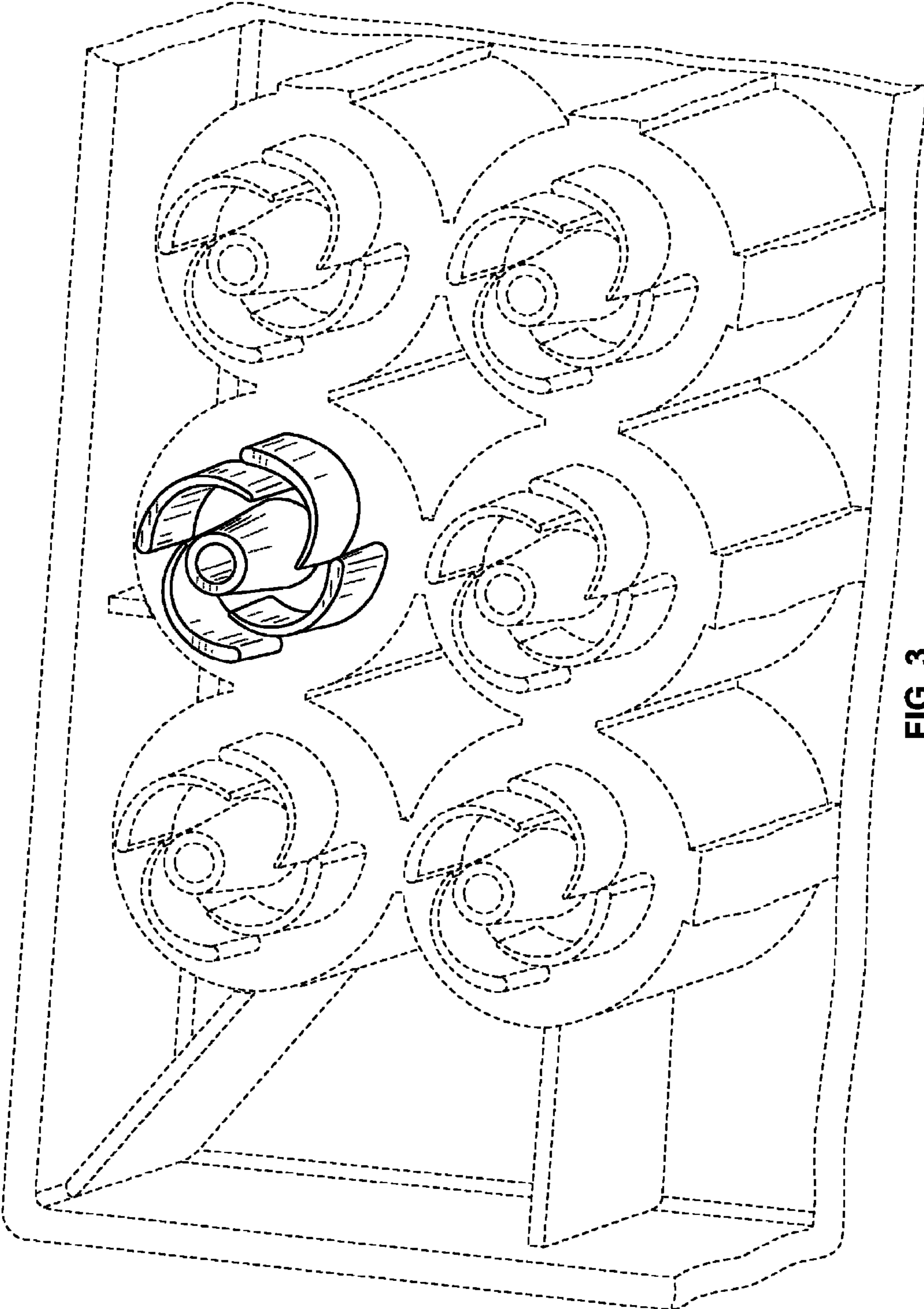


FIG. 3

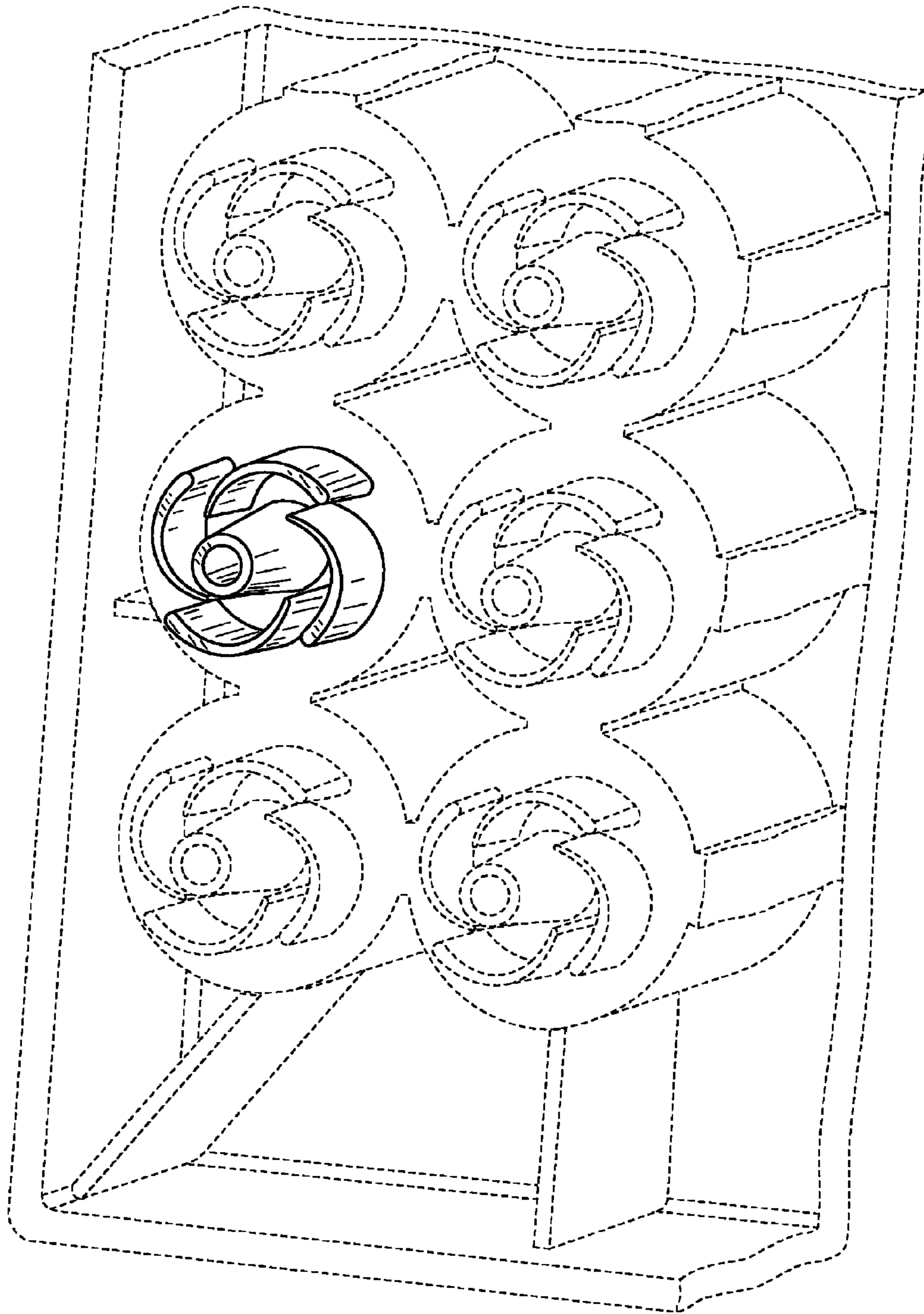


FIG. 4