



US00D623299S

(12) **United States Design Patent**
Dietz

(10) **Patent No.:** **US D623,299 S**

(45) **Date of Patent:** **** Sep. 7, 2010**

(54) **MEDICAL IMAGING SCANNER**

D546,951 S * 7/2007 Kemp D24/183

(75) Inventor: **Douglas P. Dietz**, Pewaukee, WI (US)

* cited by examiner

(73) Assignee: **General Electric Company**,
Schenectady, NY (US)

Primary Examiner—T. Chase Nelson

Assistant Examiner—Anhdao Doan

(74) *Attorney, Agent, or Firm*—Ziolkowski Patent Solutions
Group, SC

(**) Term: **14 Years**

(21) Appl. No.: **29/353,048**

(57) **CLAIM**

(22) Filed: **Dec. 31, 2009**

The ornamental design for a medical imaging scanner, as
shown and described herein.

(51) **LOC (9) Cl.** **24-01**

(52) **U.S. Cl.** **D24/158**

(58) **Field of Classification Search** D24/158–161,
D24/186, 183–185; 378/4, 19–21, 23, 25,
378/27, 146; 5/601, 607, 611

See application file for complete search history.

DESCRIPTION

FIG. 1 is a perspective view of a medical imaging scanner
having a design thereon in accordance with an embodiment of
the present invention.

FIG. 2 is a side elevational view of the medical imaging
scanner of FIG. 1.

FIG. 3 is a front elevational view of the medical imaging
scanner of FIG. 1.

FIG. 4 is a rear elevational view of the medical imaging
scanner of FIG. 1; and,

FIG. 5 is a top plan view of the medical imaging scanner of
FIG. 1.

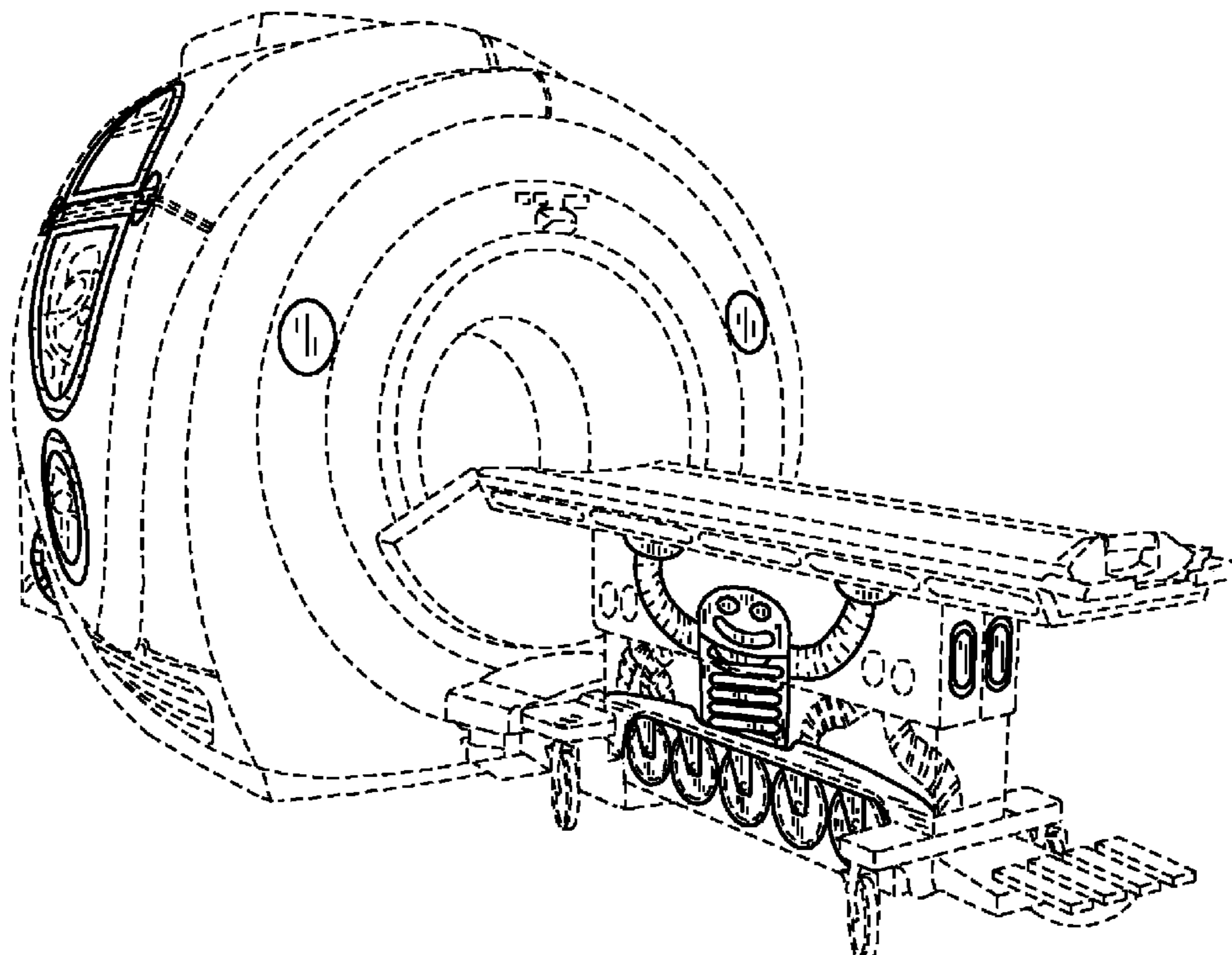
The broken lines in the drawing views are included for the
purpose of illustrating portions of the medical imaging scan-
ner that form no part of the claimed design.

(56) **References Cited**

U.S. PATENT DOCUMENTS

D270,182 S *	8/1983	Wagner	D24/159
D300,849 S *	4/1989	Steinhilber et al.	D24/159
D323,386 S *	1/1992	Perusek	D24/159
D345,606 S *	3/1994	Perusek	D24/159
D347,063 S *	5/1994	Ariyoshi et al.	D24/159
D383,543 S *	9/1997	Kemp	D24/183
D386,261 S *	11/1997	Lee et al.	D24/159
D447,803 S *	9/2001	Yanagihara et al.	D24/159
D468,827 S *	1/2003	Cook	D24/183
D469,538 S *	1/2003	Cook	D24/183

1 Claim, 4 Drawing Sheets



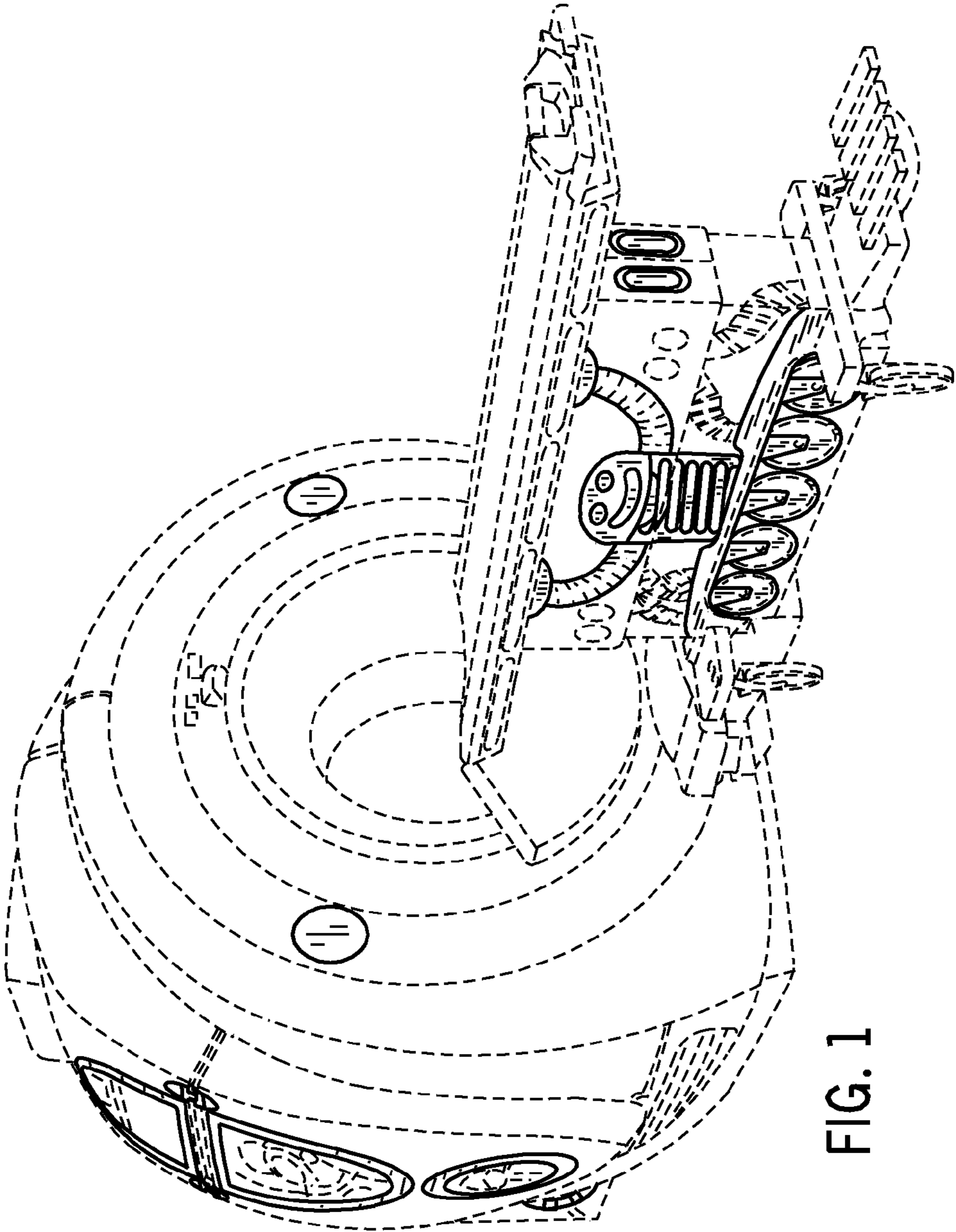


FIG. 1

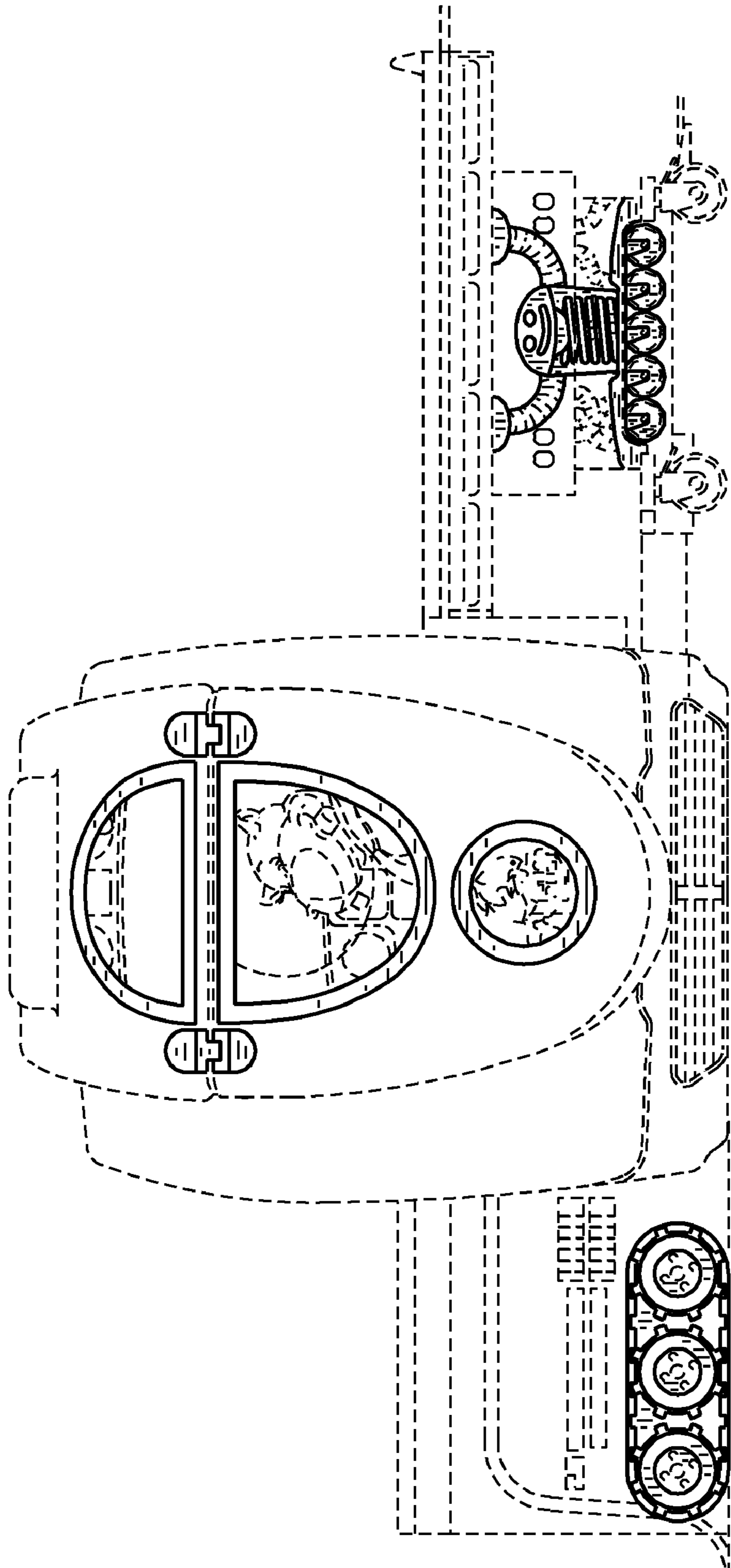


FIG. 2

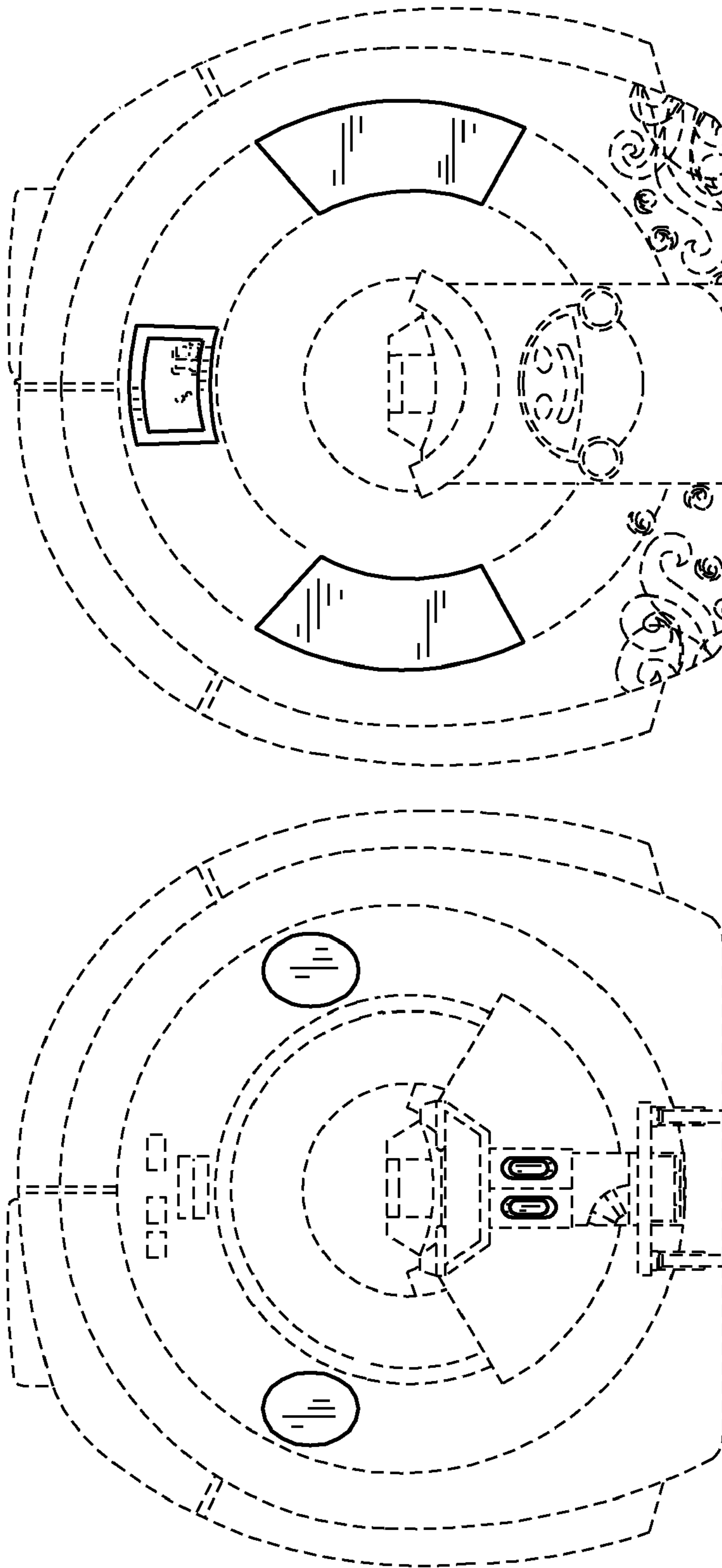


FIG. 3

FIG. 4

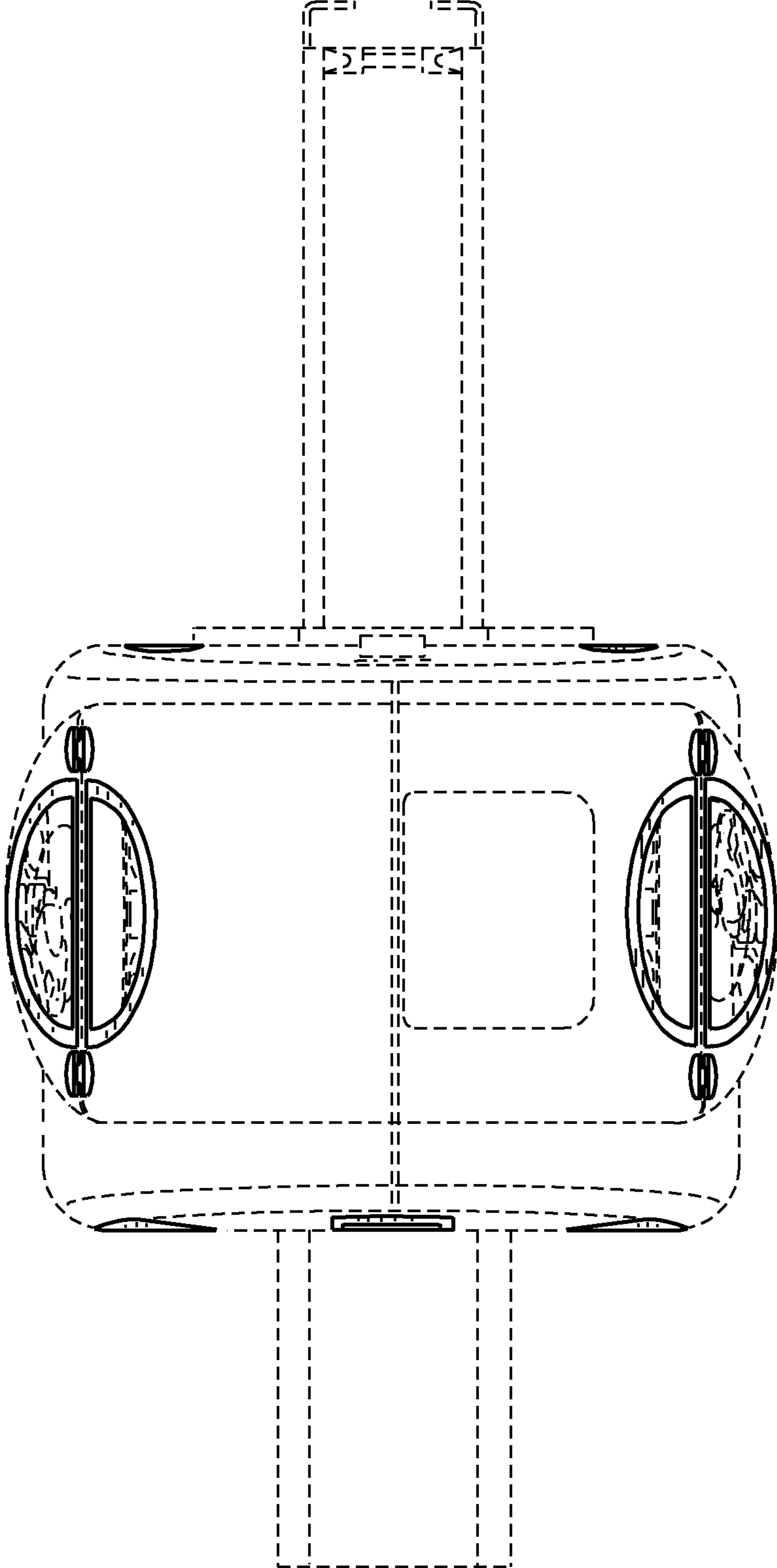


FIG. 5