



US00D623298S

(12) **United States Design Patent**
Thomas et al.

(10) **Patent No.:** **US D623,298 S**
(45) **Date of Patent:** **** Sep. 7, 2010**

(54) **BONE FUSION DEVICE**

(75) Inventors: **Derek James Thomas**, Sewickley, PA (US); **Timothy W. Hildebrand**, Austin, TX (US)

(73) Assignee: **Omni Surgical**, Austin, TX (US)

(**) Term: **14 Years**

(21) Appl. No.: **29/349,160**

(22) Filed: **Mar. 12, 2010**

(51) **LOC (9) Cl.** **23-04**

(52) **U.S. Cl.** **D24/155**

(58) **Field of Classification Search** D24/155,
D24/152, 162, 164, 165, 169, 176, 186, 104;
433/25, 32, 83, 88, 89, 141-164, 209, 249;
623/17.16, 17.15, 17.11, 902; 606/61
See application file for complete search history.

(56) **References Cited**

U.S. PATENT DOCUMENTS

D411,009 S *	6/1999	Asfora	D24/155
6,503,279 B1 *	1/2003	Webb et al.	623/17.16
6,530,955 B2	3/2003	Boyle		
6,547,823 B2	4/2003	Scarborough		
6,610,089 B1 *	8/2003	Liu et al.	623/17.11
6,676,703 B2 *	1/2004	Biscup	623/17.16
6,863,694 B1	3/2005	Boyce		
D503,801 S *	4/2005	Jackson	D24/155
6,942,698 B1 *	9/2005	Jackson	623/17.16
D524,942 S *	7/2006	Felix	D24/155
7,169,183 B2 *	1/2007	Liu et al.	623/17.16

7,179,299 B2	2/2007	Edwards
7,517,358 B2	4/2009	Petersen
D595,855 S	7/2009	Petersen
2006/0111780 A1	5/2006	Petersen
2006/0111781 A1	5/2006	Petersen
2006/0111782 A1	5/2006	Petersen
2006/0111786 A1	5/2006	Petersen
2008/0009955 A1	1/2008	Shimp
2008/0234758 A1	9/2008	Fisher
2008/0255666 A1	10/2008	Fisher
2009/0036927 A1	2/2009	Vestgaarden

* cited by examiner

Primary Examiner—Charles A Rademaker

(74) *Attorney, Agent, or Firm*—David O. Simmons

(57) **CLAIM**

The ornamental design for a bone fusion device, as shown and described.

DESCRIPTION

FIG. 1 is a front and top perspective view of a bone fusion device showing our new design;

FIG. 2 is a bottom and rear perspective view thereof;

FIG. 3 is a left side elevation thereof, the side opposite being a mirror image;

FIG. 4 is a top plan view thereof, the bottom being a mirror image;

FIG. 5 is a rear elevation view thereof; and,

FIG. 6 is a front elevation thereof.

1 Claim, 2 Drawing Sheets

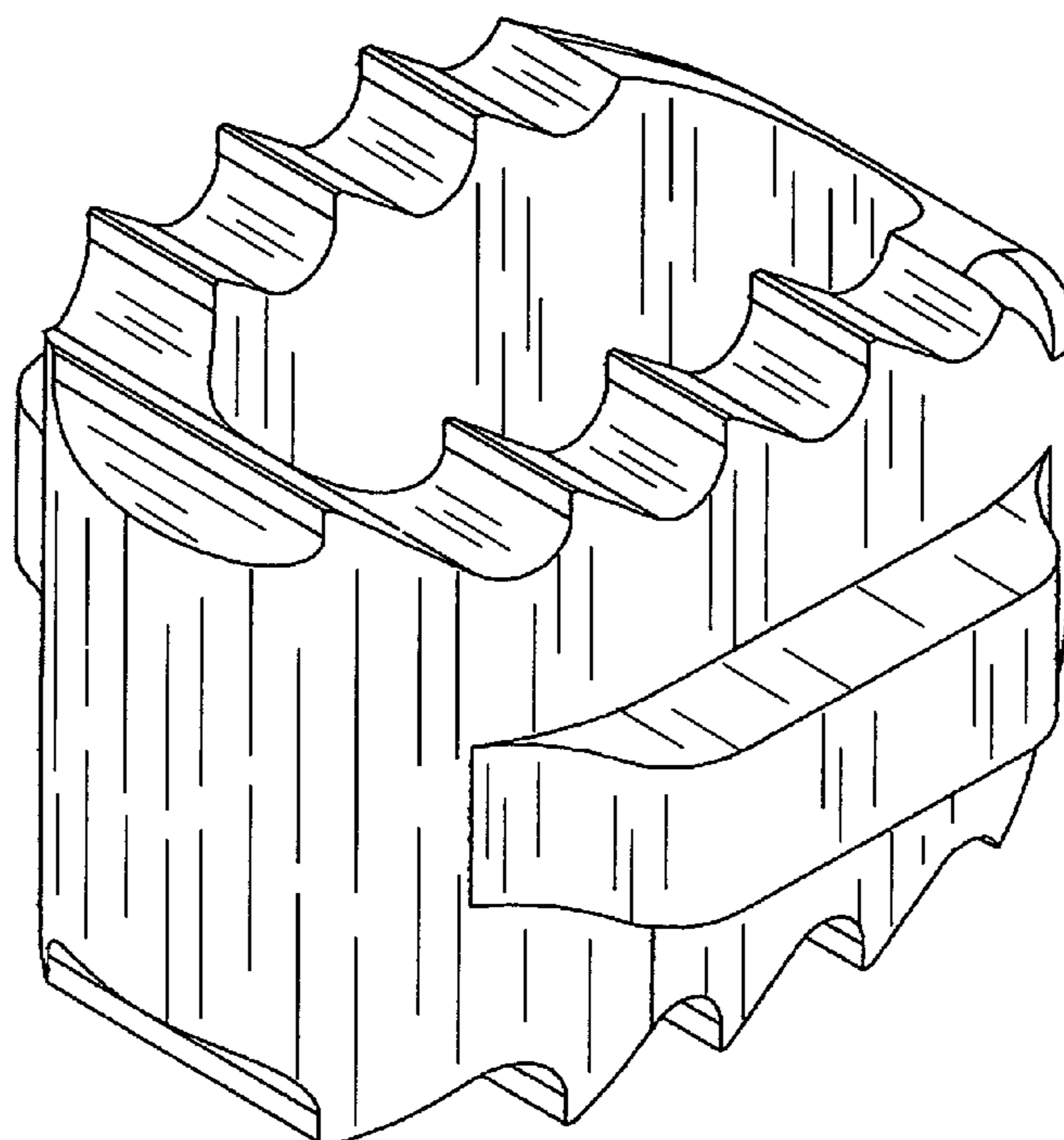


FIG. 1

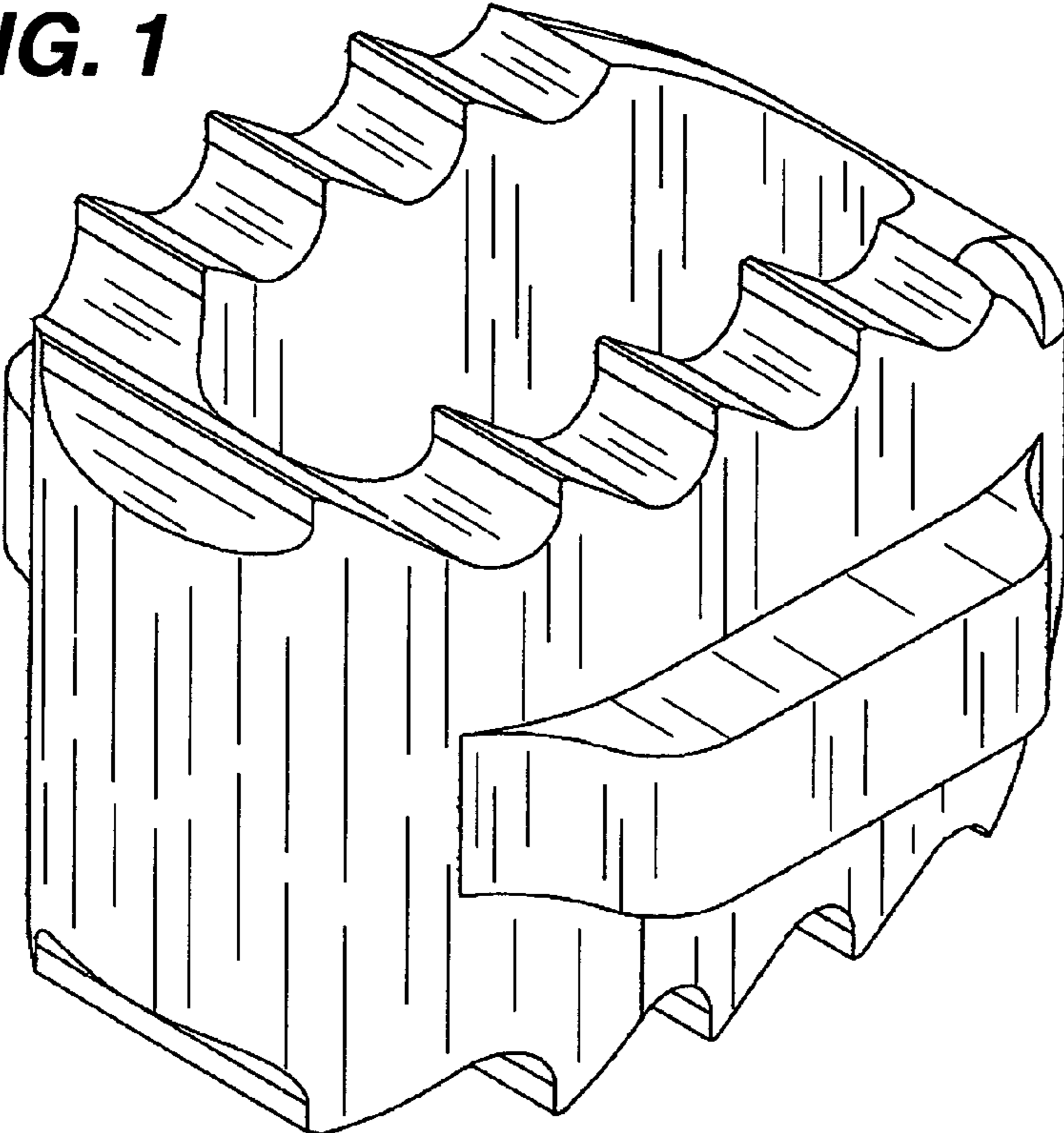


FIG. 2

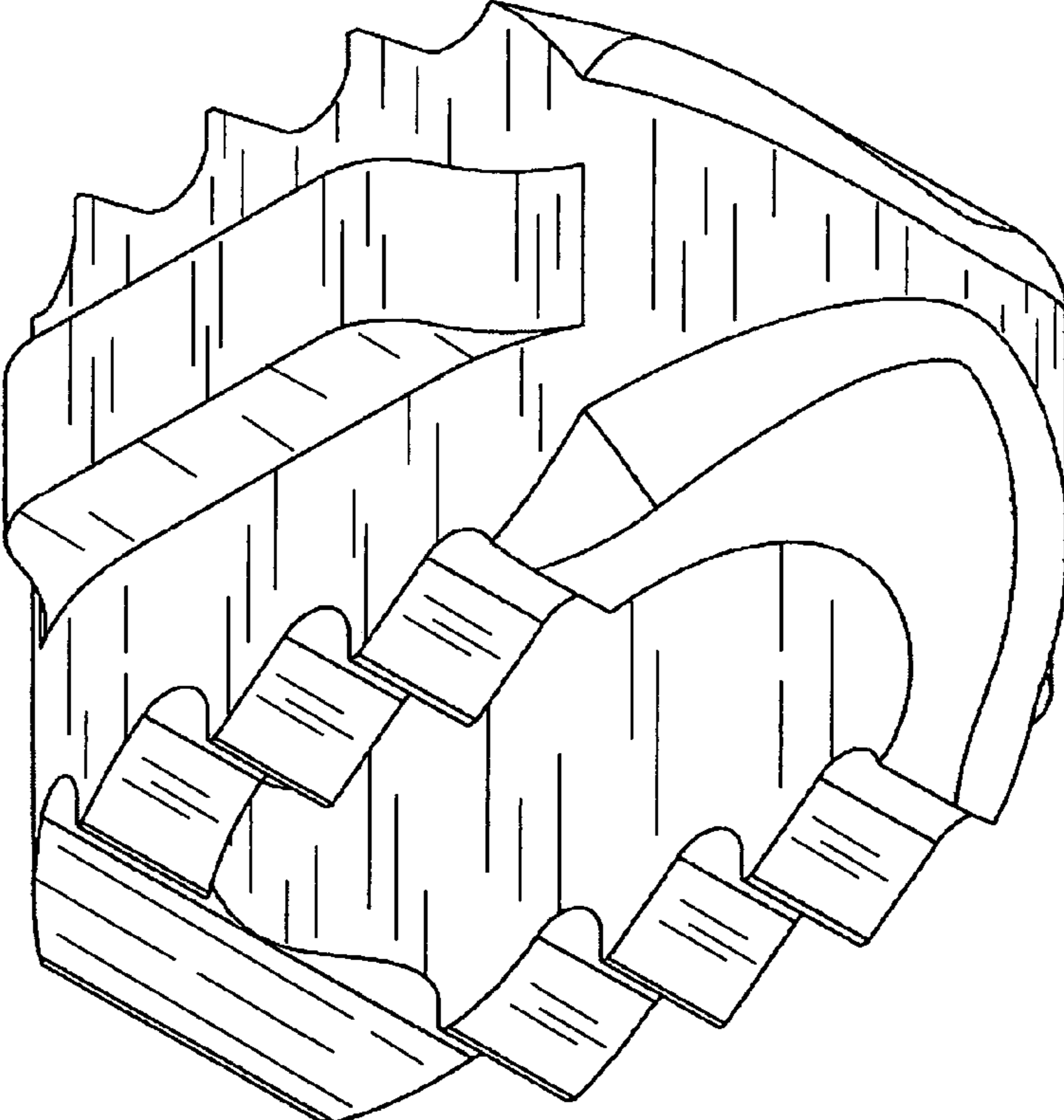


FIG. 3

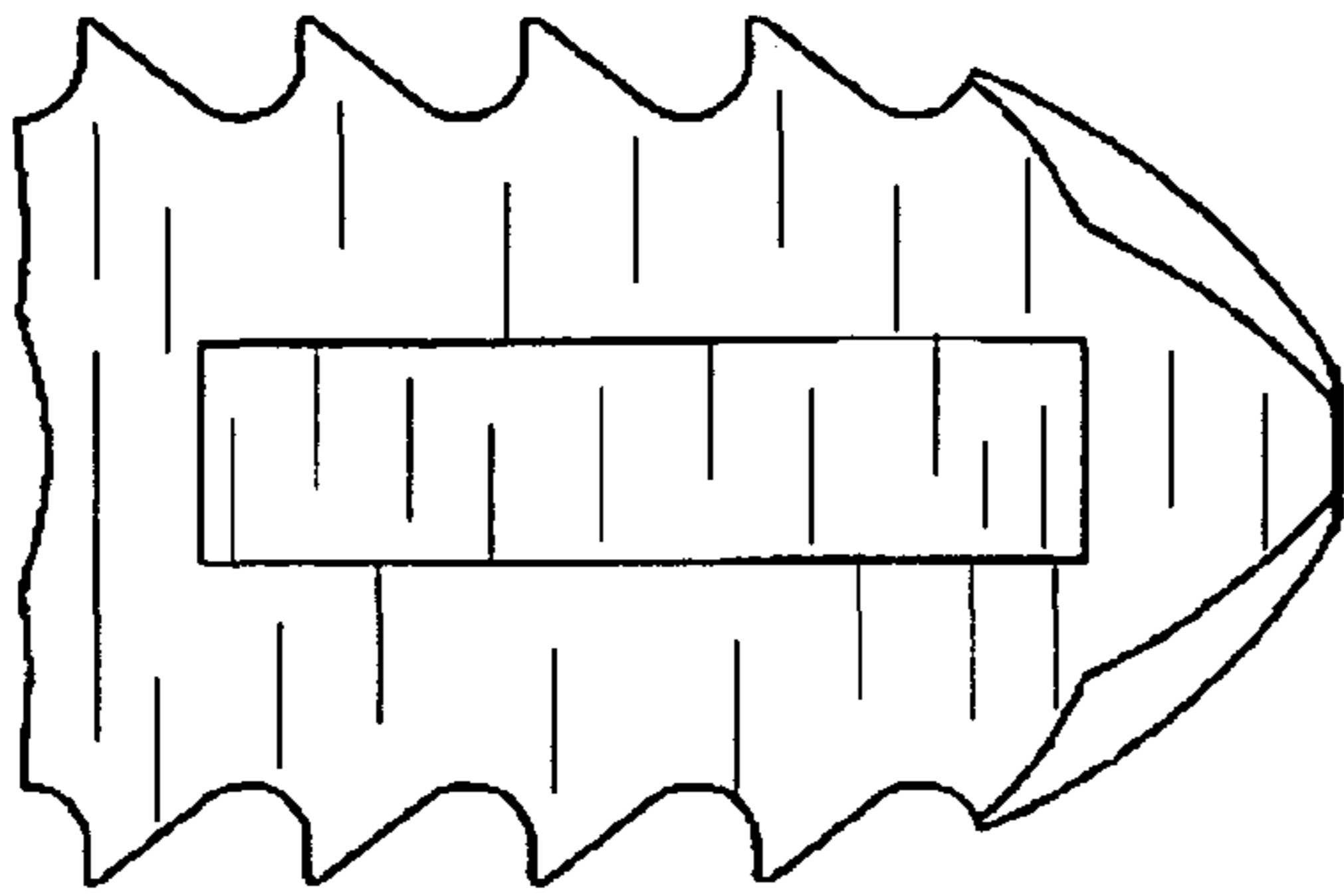


FIG. 4

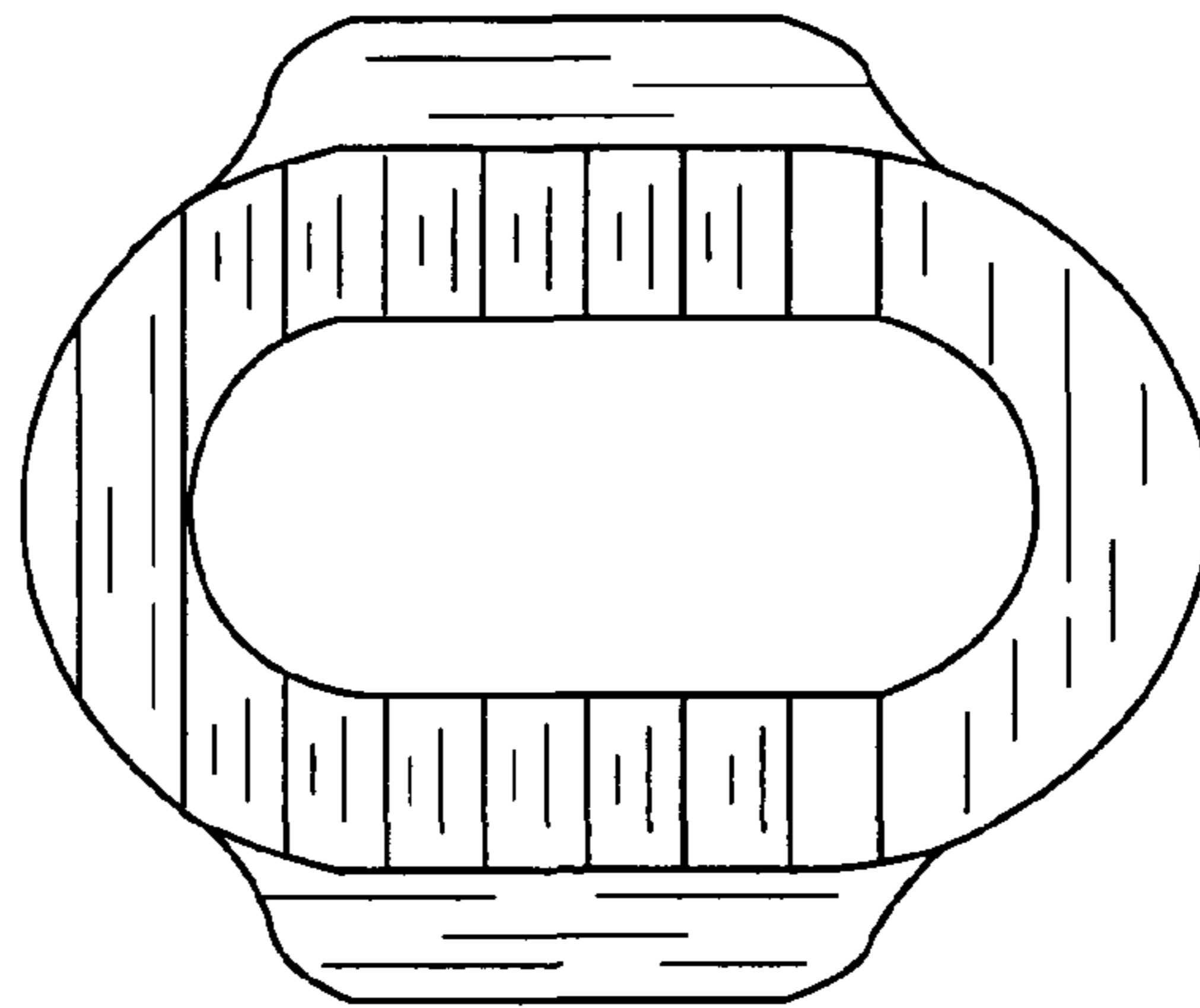


FIG. 5

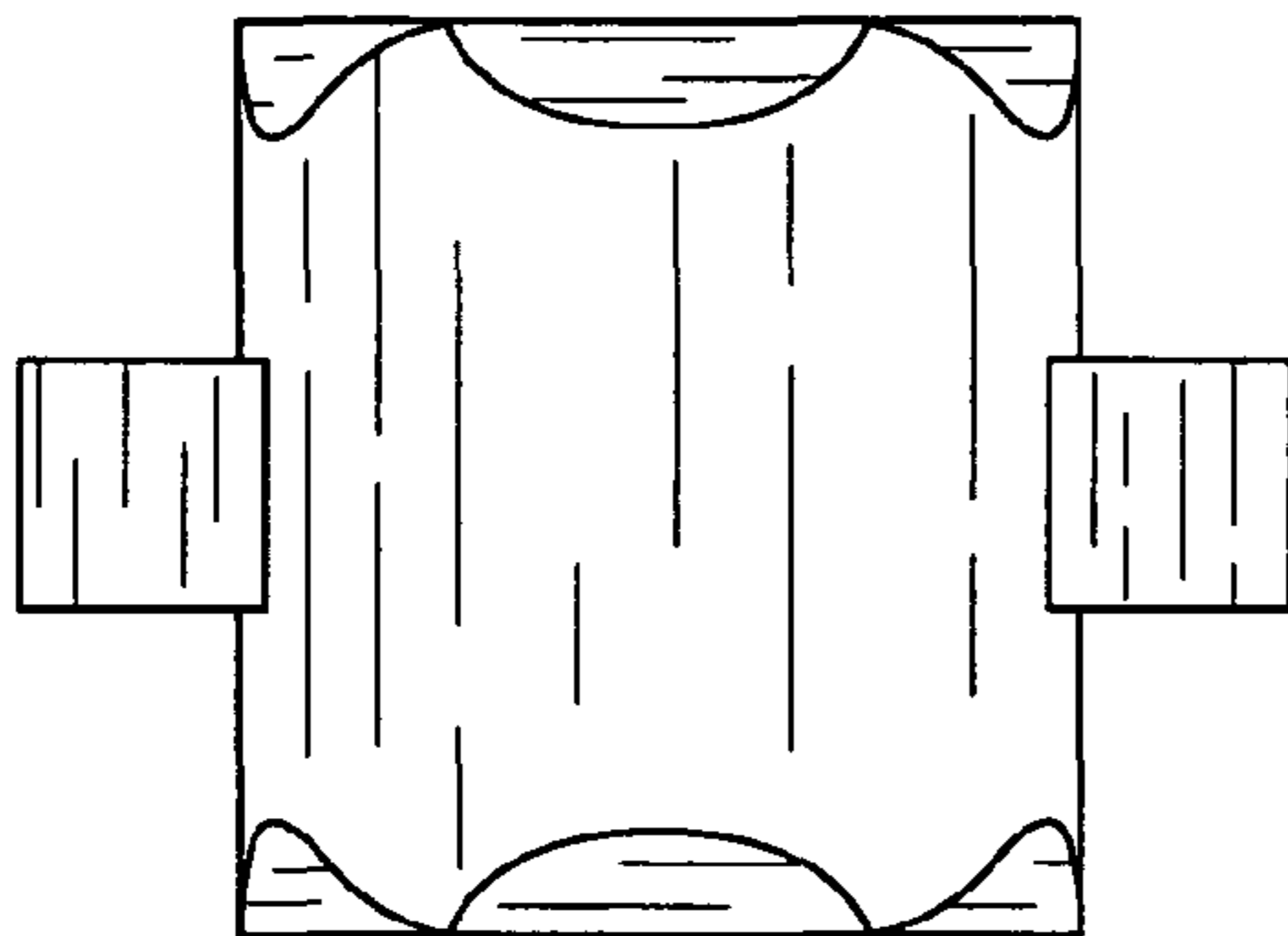


FIG. 6

