



US00D623296S

(12) **United States Design Patent**
Boyer, II et al.

(10) **Patent No.:** **US D623,296 S**

(45) **Date of Patent:** **** Sep. 7, 2010**

(54) **SPINOUS PROCESS SPACER**

(75) Inventors: **Michael Lee Boyer, II**, Phoenixville, PA
(US); **Paul W. Millhouse**, Wayne, PA
(US); **David C. Paul**, Phoenixville, PA
(US)

(73) Assignee: **Globus Medical, Inc.**, Audubon, PA
(US)

(**) Term: **14 Years**

(21) Appl. No.: **29/339,695**

(22) Filed: **Jul. 6, 2009**

(51) **LOC (9) Cl.** **24-03**

(52) **U.S. Cl.** **D24/155**

(58) **Field of Classification Search** D24/155-157;
606/60, 61, 73, 95, 213, 246, 248, 249, 914,
606/90, 234-245; 623/23.61, 23.56, 247,
623/213, 11.11, 16.14, 20.23, 20.33, 33,
623/41, 17.11-17.16

See application file for complete search history.

(56) **References Cited**

U.S. PATENT DOCUMENTS

D59,074 S * 9/1921 Gallagher D8/367
D267,455 S * 1/1983 Cohen D8/367
D393,412 S * 4/1998 Bries et al. D8/367
D463,971 S * 10/2002 Lillelund et al. D8/367
D480,292 S * 10/2003 Johansson et al. D8/367

7,153,304 B2 * 12/2006 Robie et al. 606/90
7,338,525 B2 * 3/2008 Ferree 623/17.11
D565,939 S * 4/2008 Newbould et al. D8/367
7,500,992 B2 * 3/2009 Li 623/17.11
7,611,538 B2 * 11/2009 Belliard et al. 623/17.15
7,625,380 B2 * 12/2009 Drewry et al. 606/99
D610,898 S * 3/2010 Hager et al. D8/367
7,691,145 B2 * 4/2010 Reiley et al. 623/17.11

* cited by examiner

Primary Examiner—Charles A Rademaker

(57) **CLAIM**

The ornamental design for a spinous process spacer, as shown and described herein.

DESCRIPTION

FIG. 1 is a top perspective view of a spinous process spacer showing our new design;

FIG. 2 is a side elevation thereof;

FIG. 3 is a side elevation of the side opposite that shown in FIG. 2;

FIG. 4 is a front elevation thereof;

FIG. 5 is a rear elevation thereof;

FIG. 6 is a top plan view thereof; and,

FIG. 7 is a bottom plan view thereof.

The broken lines shown in the drawings illustrate structure and form no part of the claimed design.

1 Claim, 3 Drawing Sheets

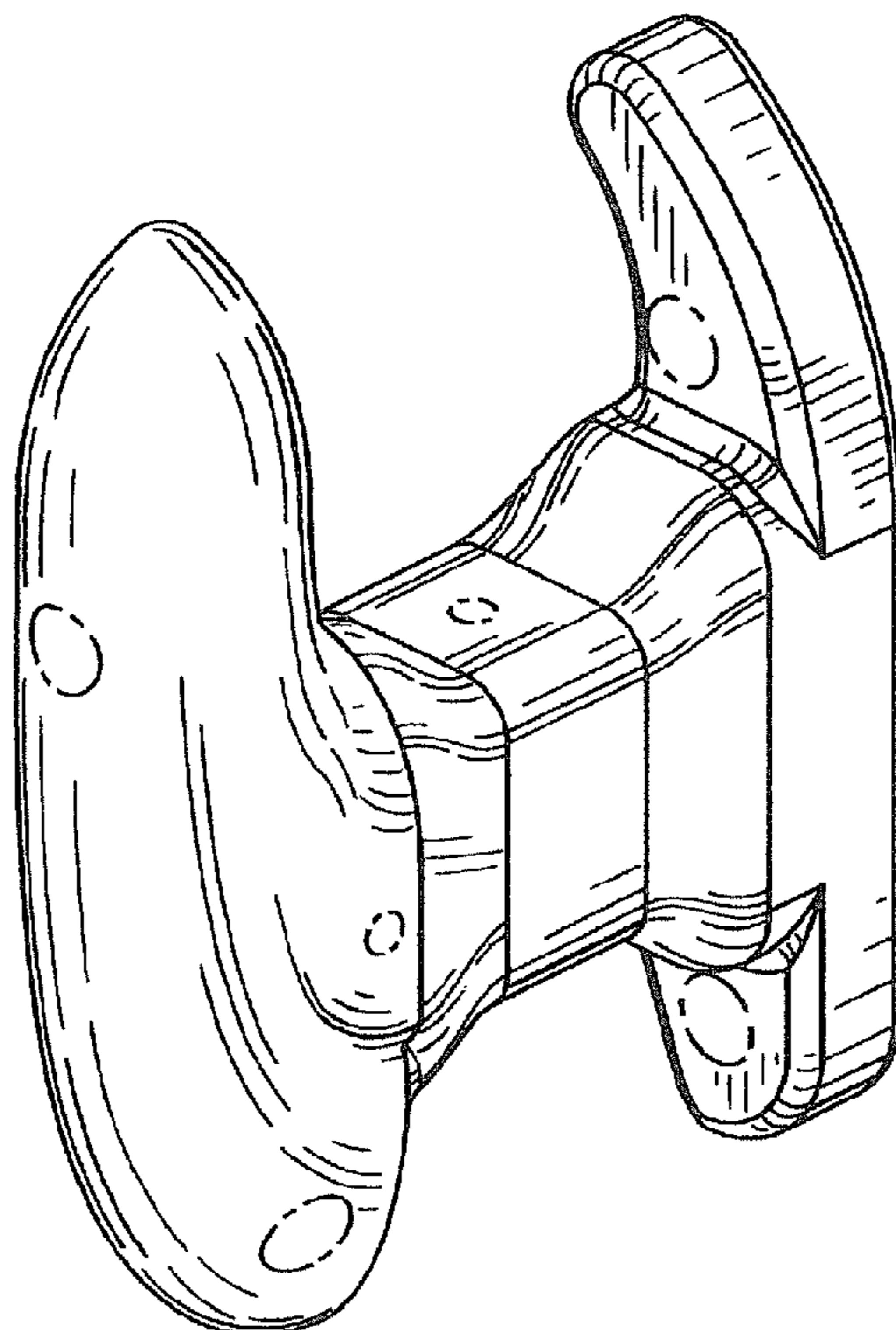


Fig. 1

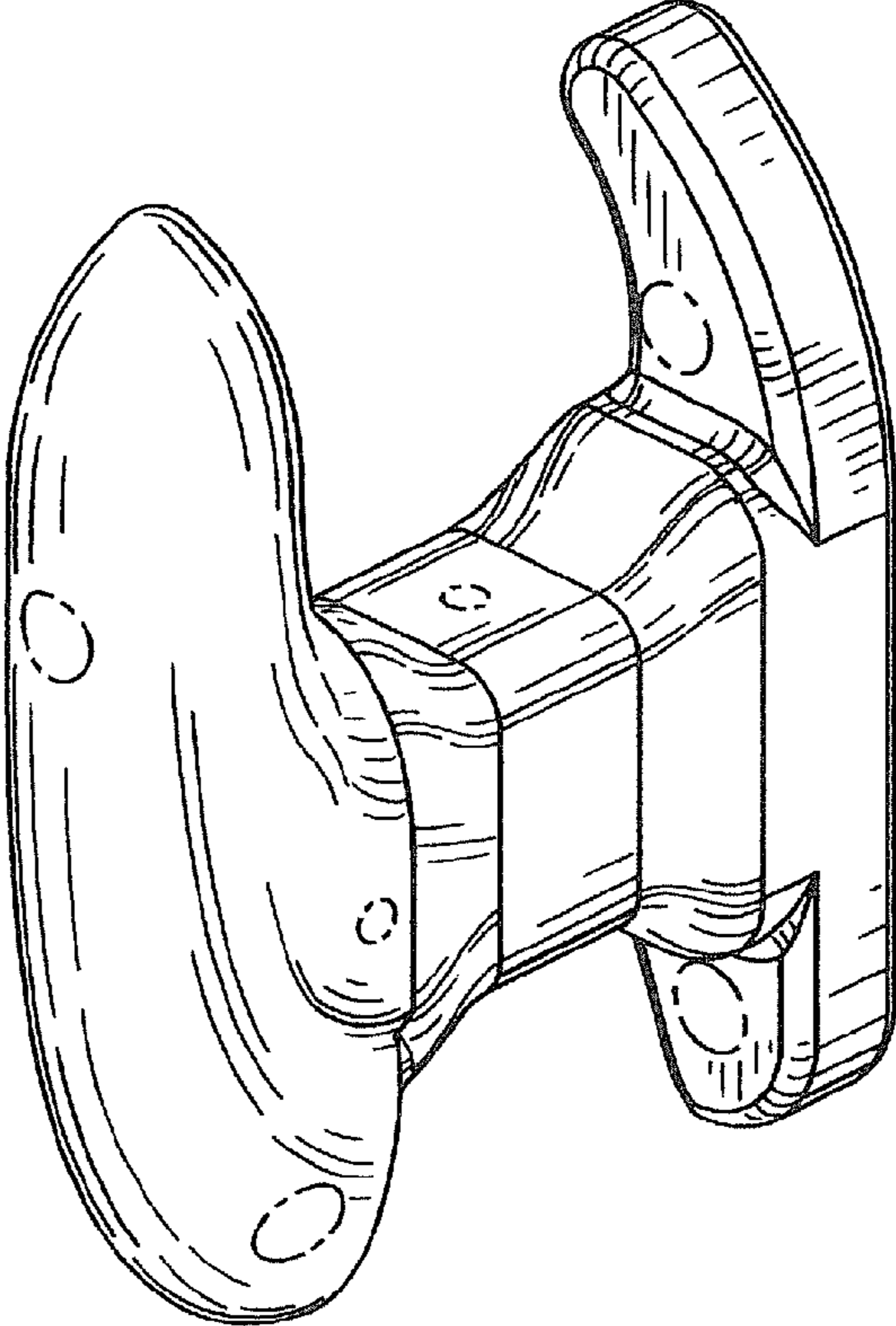
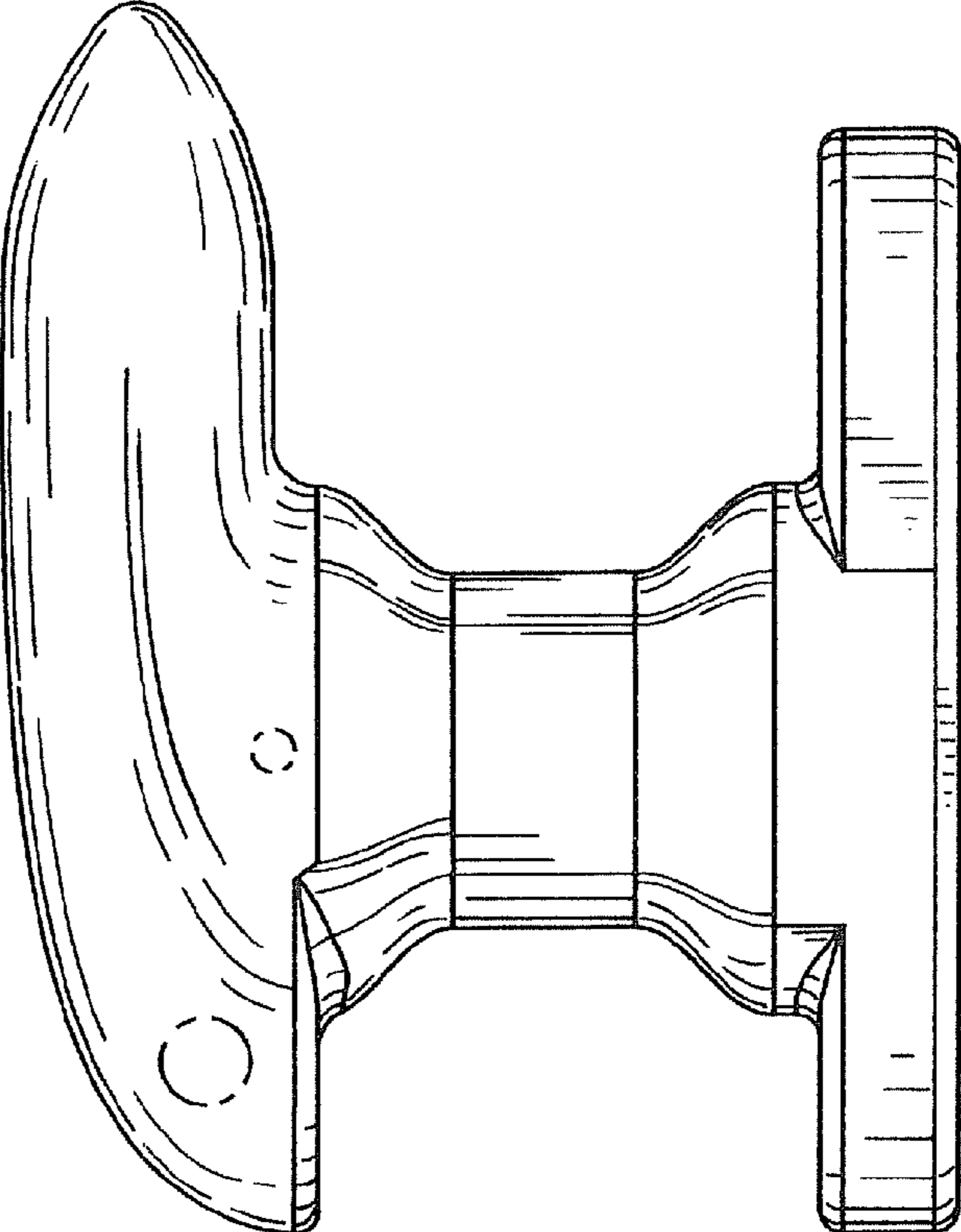


Fig. 2



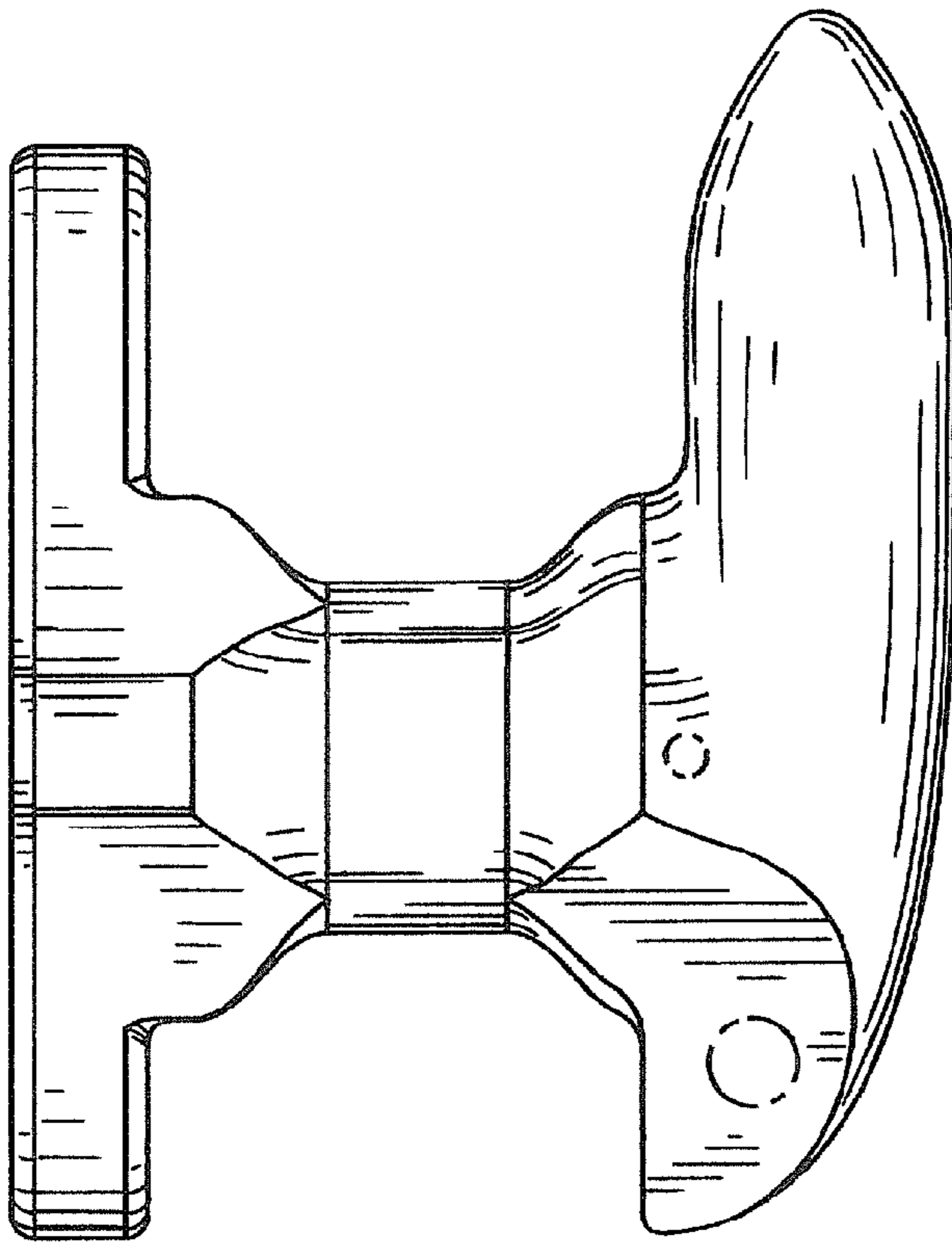


Fig. 3

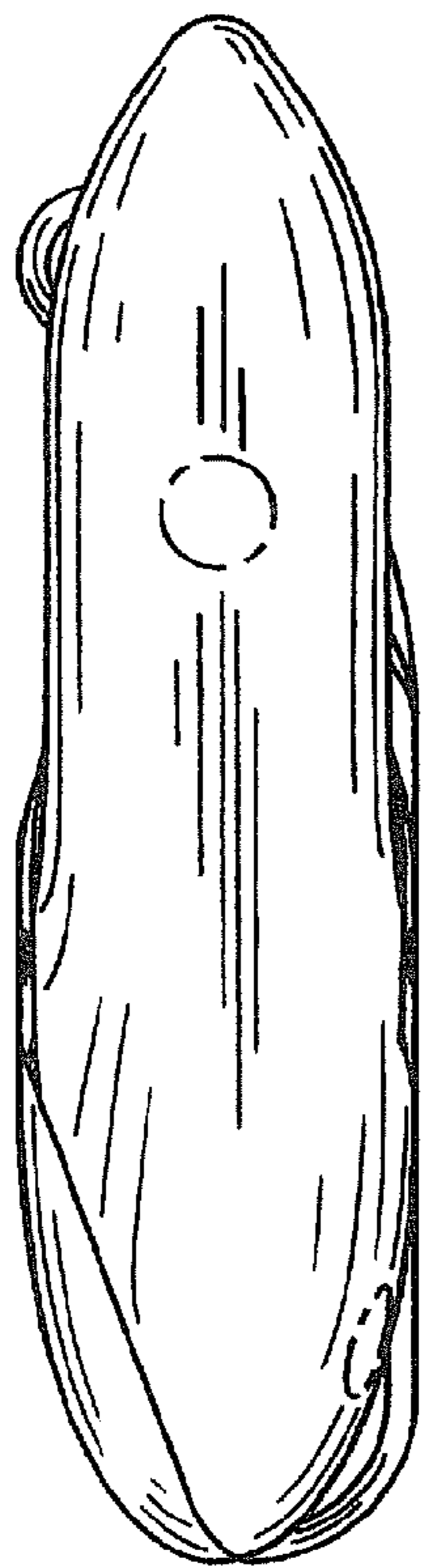


Fig. 4

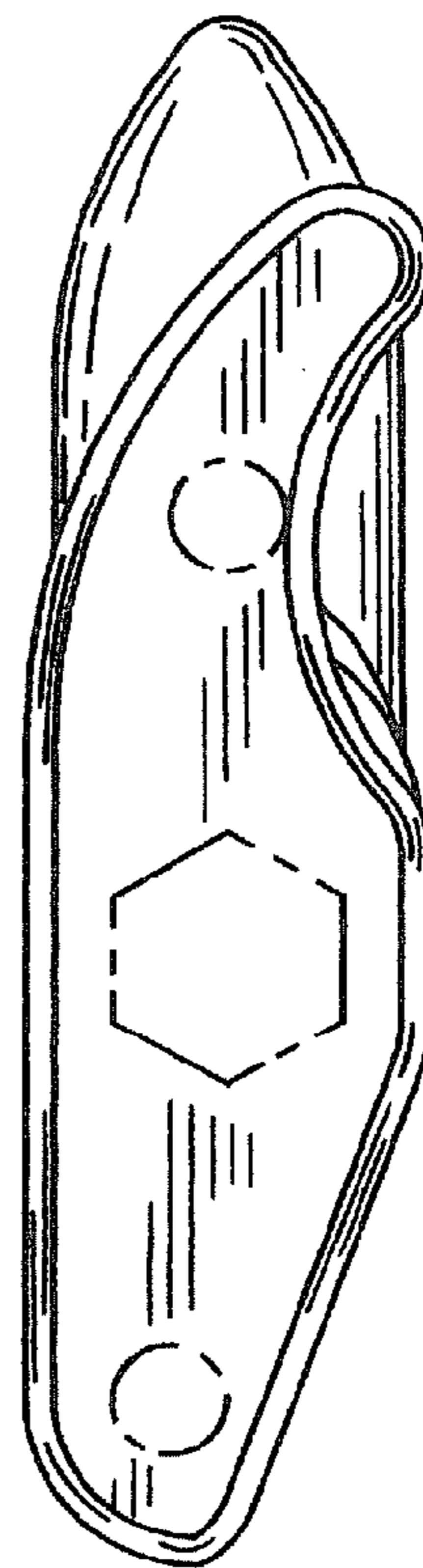


Fig. 5

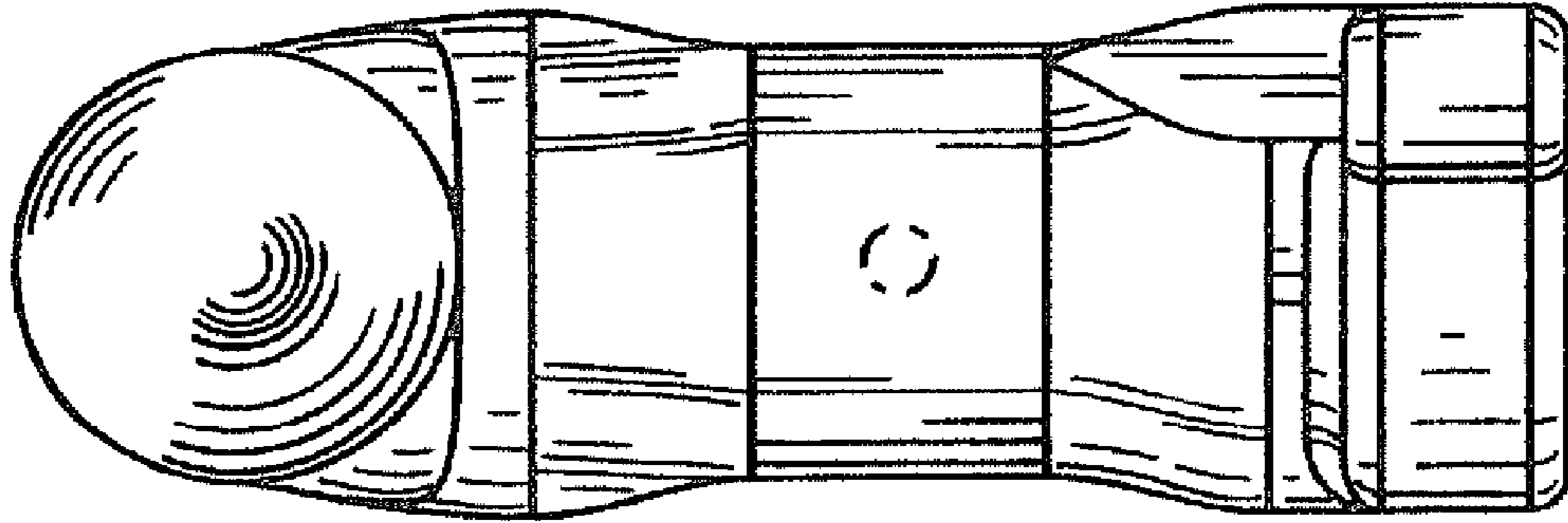


Fig. 6

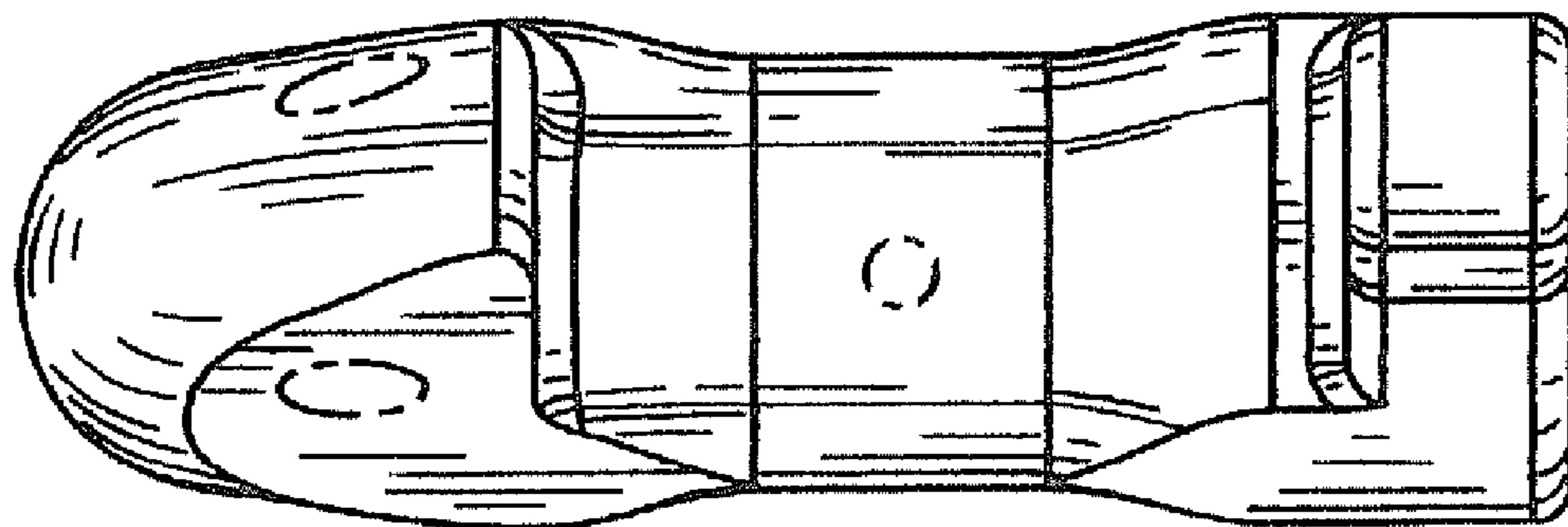


Fig. 7