



US00D623293S

(12) **United States Design Patent**  
**Horsley**

(10) **Patent No.:** **US D623,293 S**

(45) **Date of Patent:** **\*\* Sep. 7, 2010**

(54) **FEMININE EXERCISE DEVICE**

(75) Inventor: **Caryn Horsley**, Bellport, NY (US)

(73) Assignee: **Kamabry, Inc. a New York corporation**, Bellport, NY (US)

(\*\*) Term: **14 Years**

(21) Appl. No.: **29/350,085**

(22) Filed: **Nov. 11, 2009**

(51) **LOC (9) Cl.** ..... **24-02**

(52) **U.S. Cl.** ..... **D24/141; D24/133; D24/135**

(58) **Field of Classification Search** ..... D24/141,  
D24/133, 140, 135, 188, 147; D21/408,  
D21/420; 607/77; 601/45; 604/500; 606/191,  
606/197; 600/6, 30, 591; 482/93, 105, 124,  
482/148, 82, 92, 107, 908, 113, 121  
See application file for complete search history.

(56) **References Cited**

**U.S. PATENT DOCUMENTS**

5,372,557	A *	12/1994	Ostigny	482/121
5,865,715	A	2/1999	Wallick	
6,068,581	A *	5/2000	Anderson	482/93
6,224,525	B1	5/2001	Stein	
D458,681	S *	6/2002	Sherlock et al.	D24/141
6,428,467	B1 *	8/2002	Benderev	600/30
6,562,018	B1 *	5/2003	Russell	604/500
7,686,747	B1 *	3/2010	Blackford	482/105
2003/0036464	A1	2/2003	Zavilevich	
2003/0087734	A1 *	5/2003	Kring et al.	482/112
2008/0096736	A1 *	4/2008	Blackford	482/105

**OTHER PUBLICATIONS**

Kegelciser—printed Jun. 19, 2008.

\* cited by examiner

*Primary Examiner*—Ian Simmons

*Assistant Examiner*—Wan Laymon

(74) *Attorney, Agent, or Firm*—Barlow, Josephs & Holmes, Ltd.

(57) **CLAIM**

The ornamental design for a feminine exercise device, as shown and described.

**DESCRIPTION**

FIG. 1 is a front perspective view of the first embodiment of a feminine exercise device showing the new design on a reduced scale; the handle loop element shown in broken lines forms no part of the claimed invention;

FIG. 2 is a bottom perspective view thereof;

FIG. 3 is a front view thereof; the rear view being a mirror image thereof;

FIG. 4 is a top view thereof;

FIG. 5 is a bottom view thereof;

FIG. 6 is a left side elevational view thereof; the right side elevational view being a mirror image thereof;

FIG. 7 is a front perspective view of the second embodiment of a feminine exercise device showing the new design on a reduced scale; the handle loop element shown in broken lines forms no part of the claimed invention;

FIG. 8 is a bottom perspective view thereof;

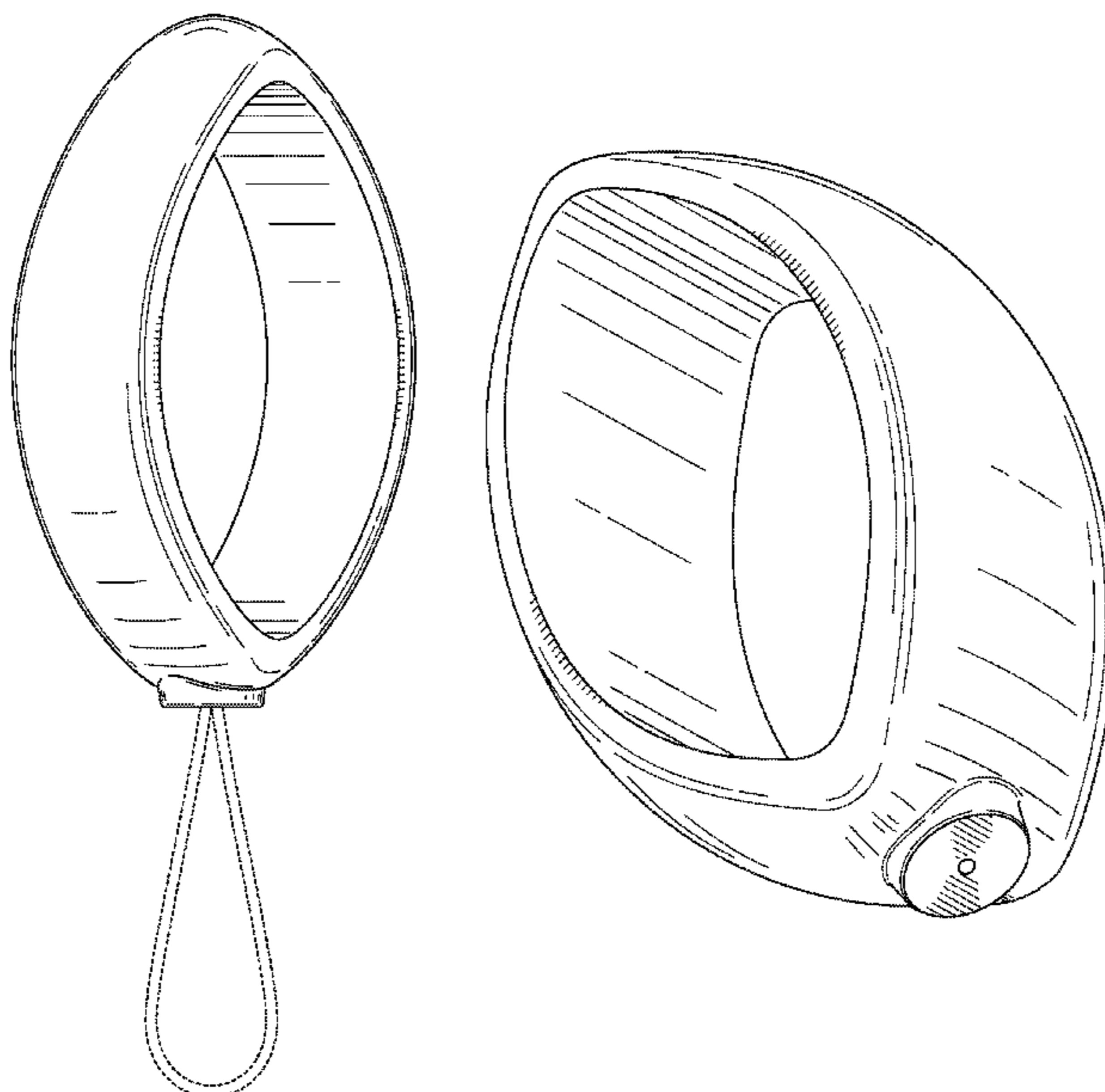
FIG. 9 is a front view thereof; the rear view being a mirror image thereof;

FIG. 10 is a top view thereof;

FIG. 11 is a bottom view thereof; and,

FIG. 12 is a left side elevational view thereof; the right side elevational view being a mirror image thereof.

**1 Claim, 12 Drawing Sheets**



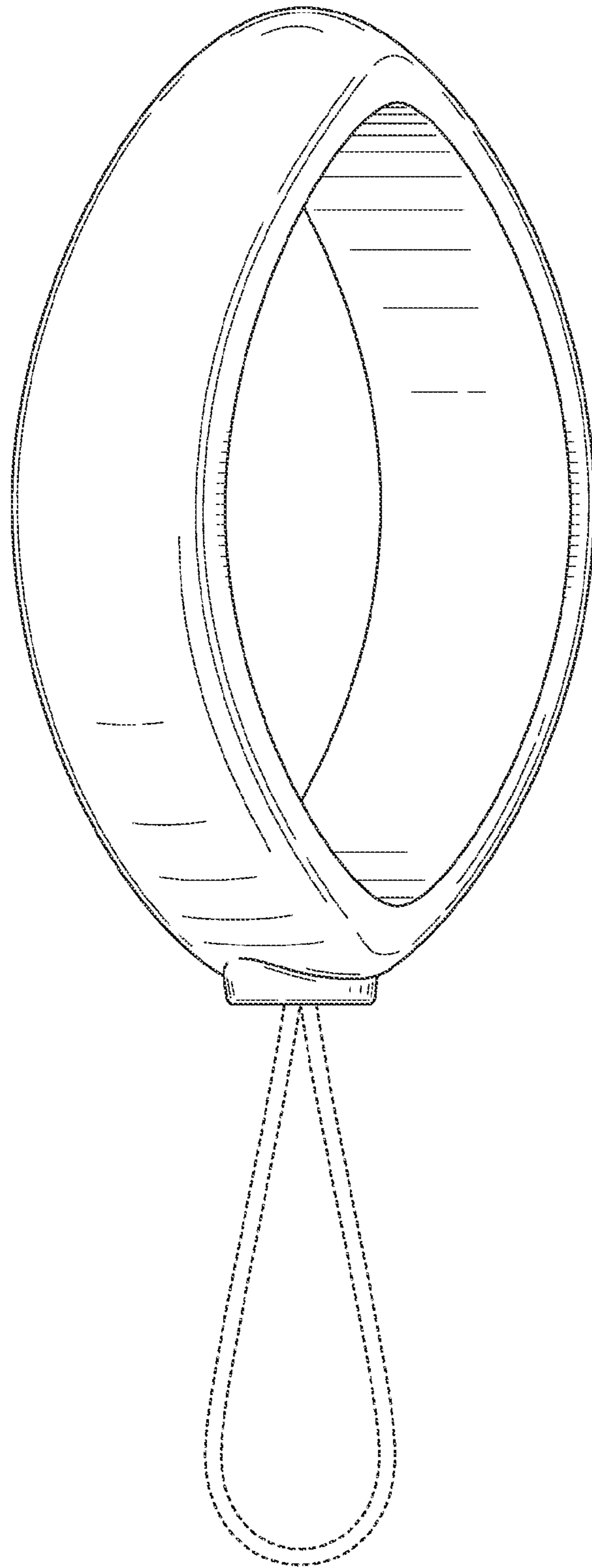


FIG. 1

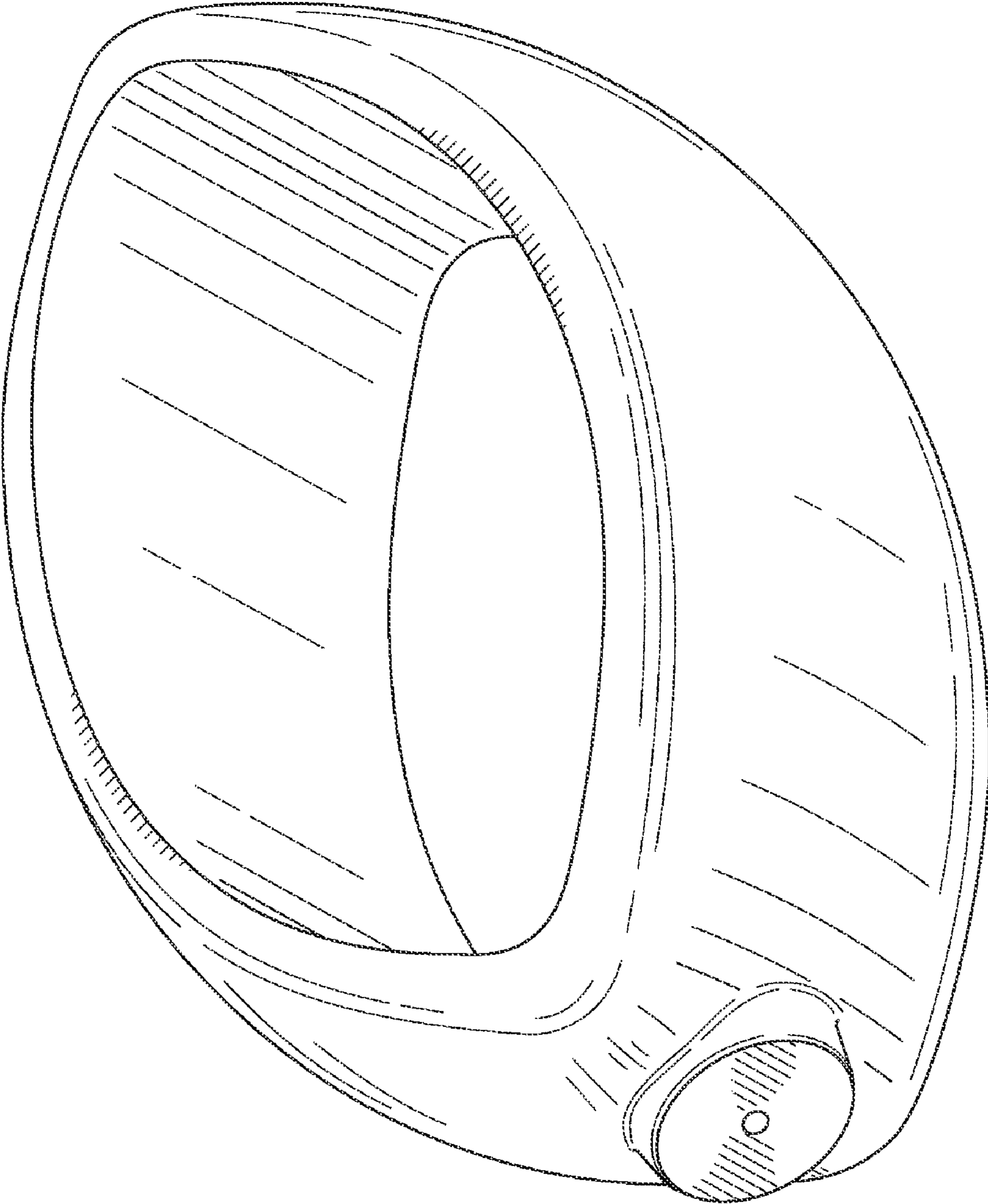


FIG. 2

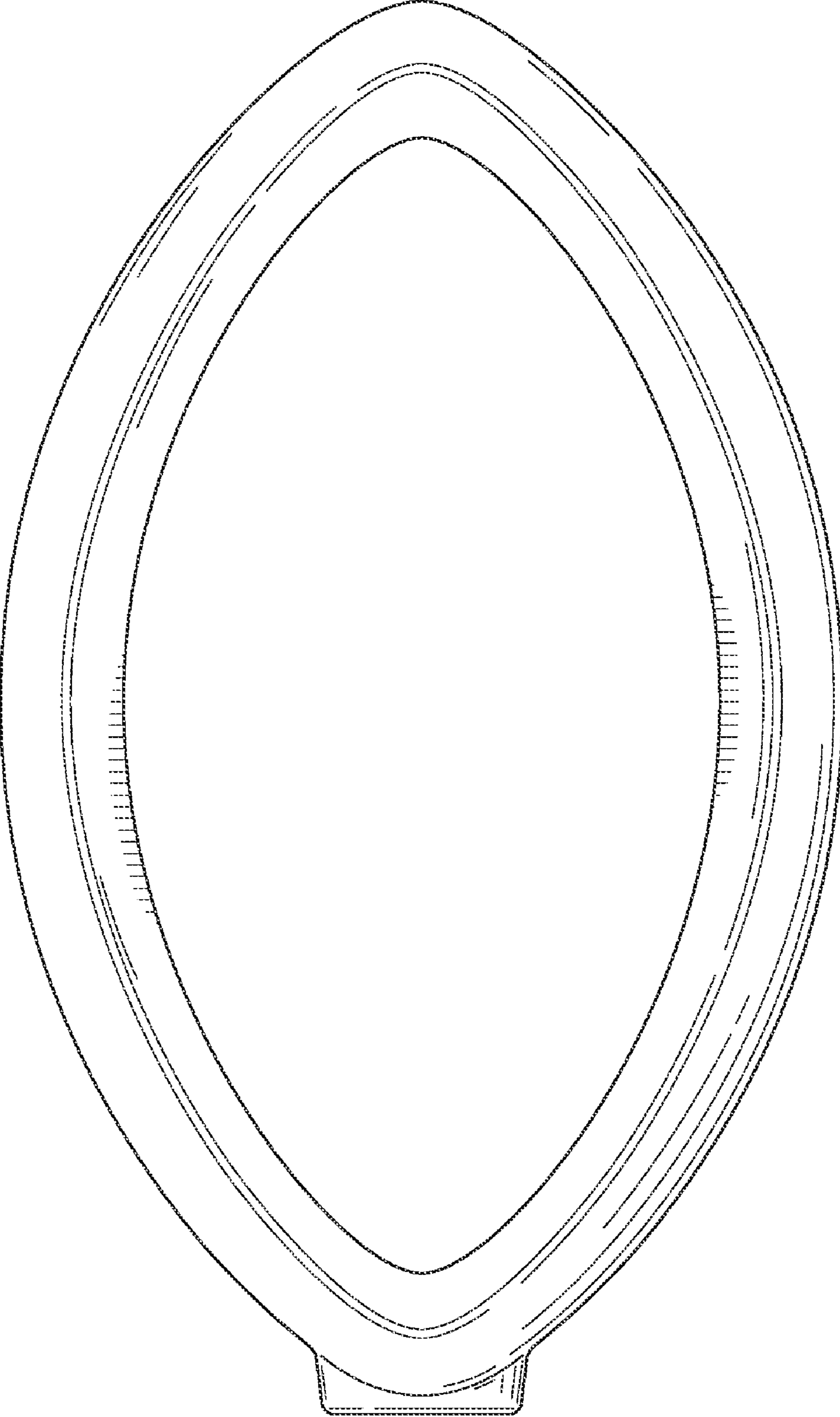
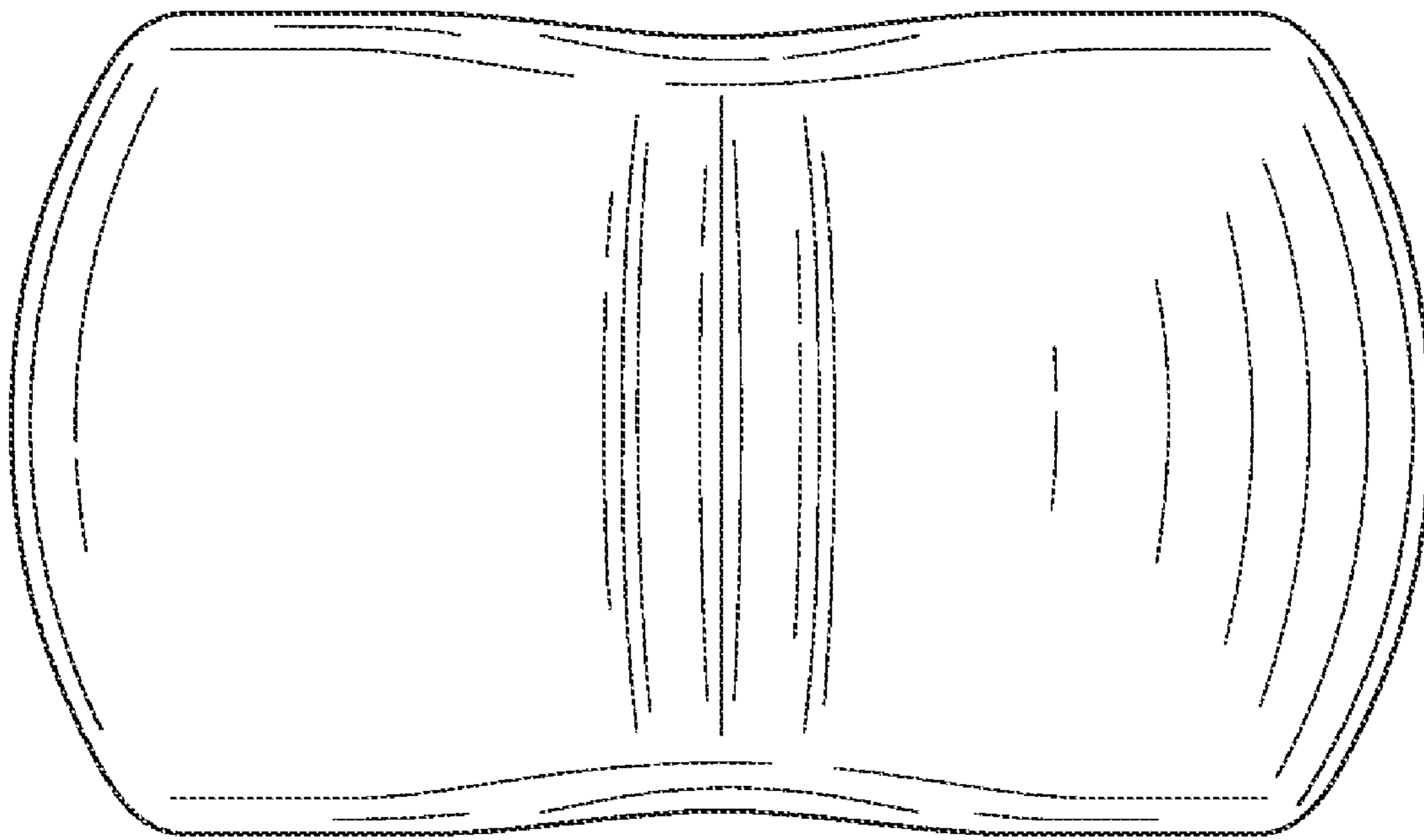
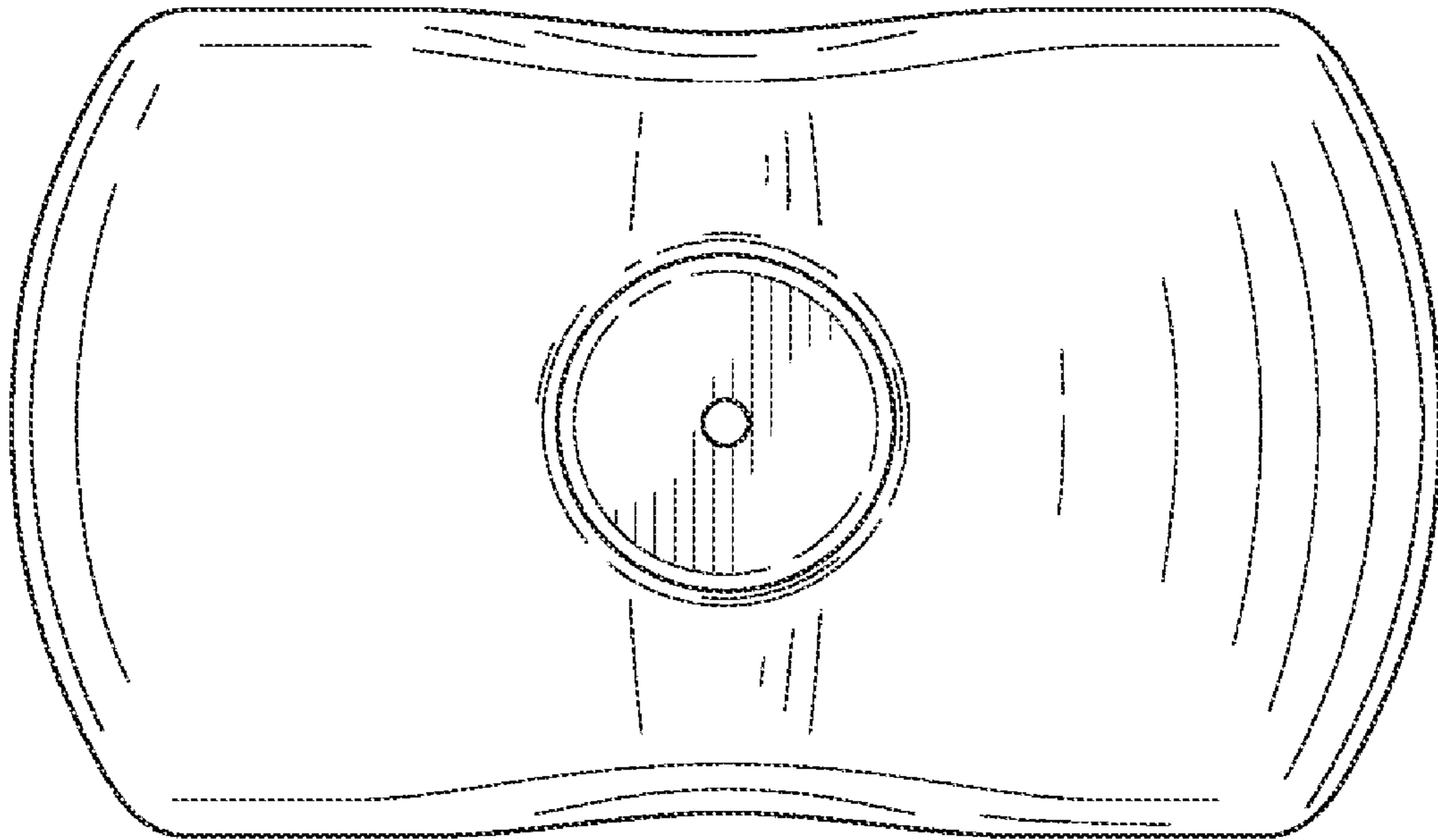


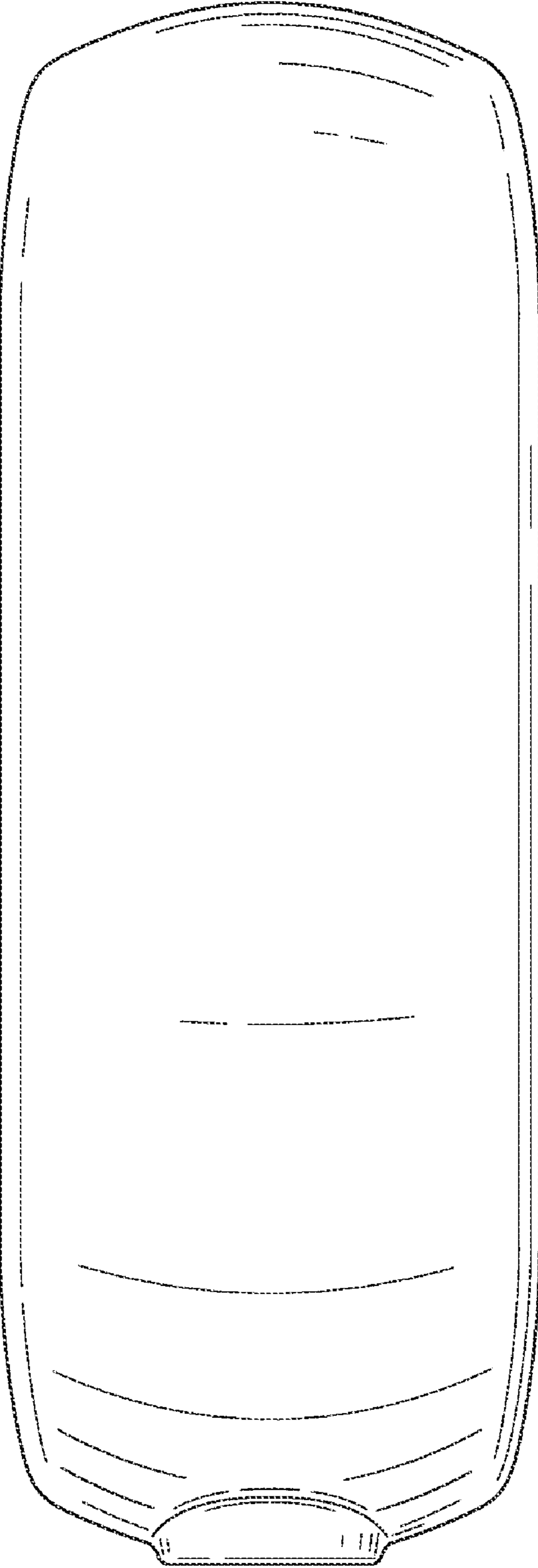
FIG. 3



**FIG. 4**



**FIG. 5**



**FIG. 6**

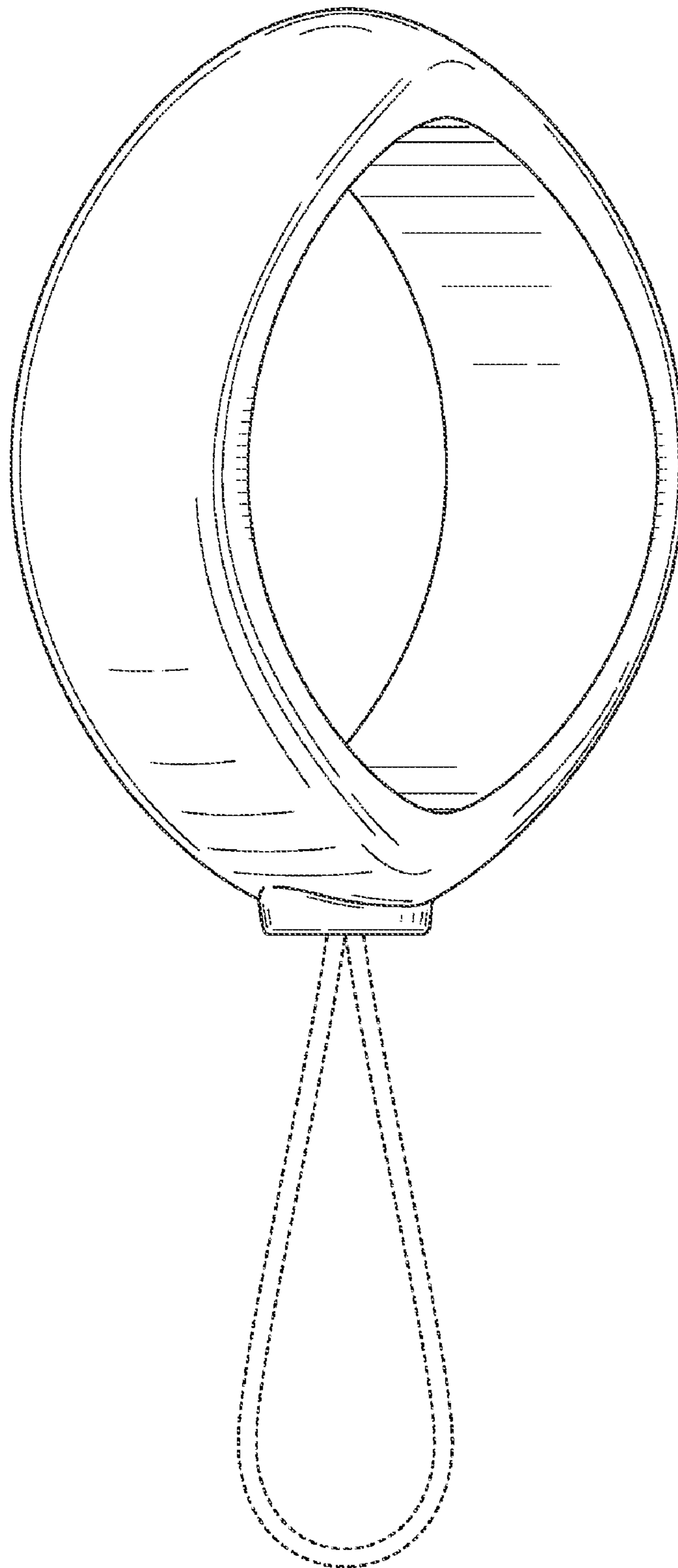


FIG. 7



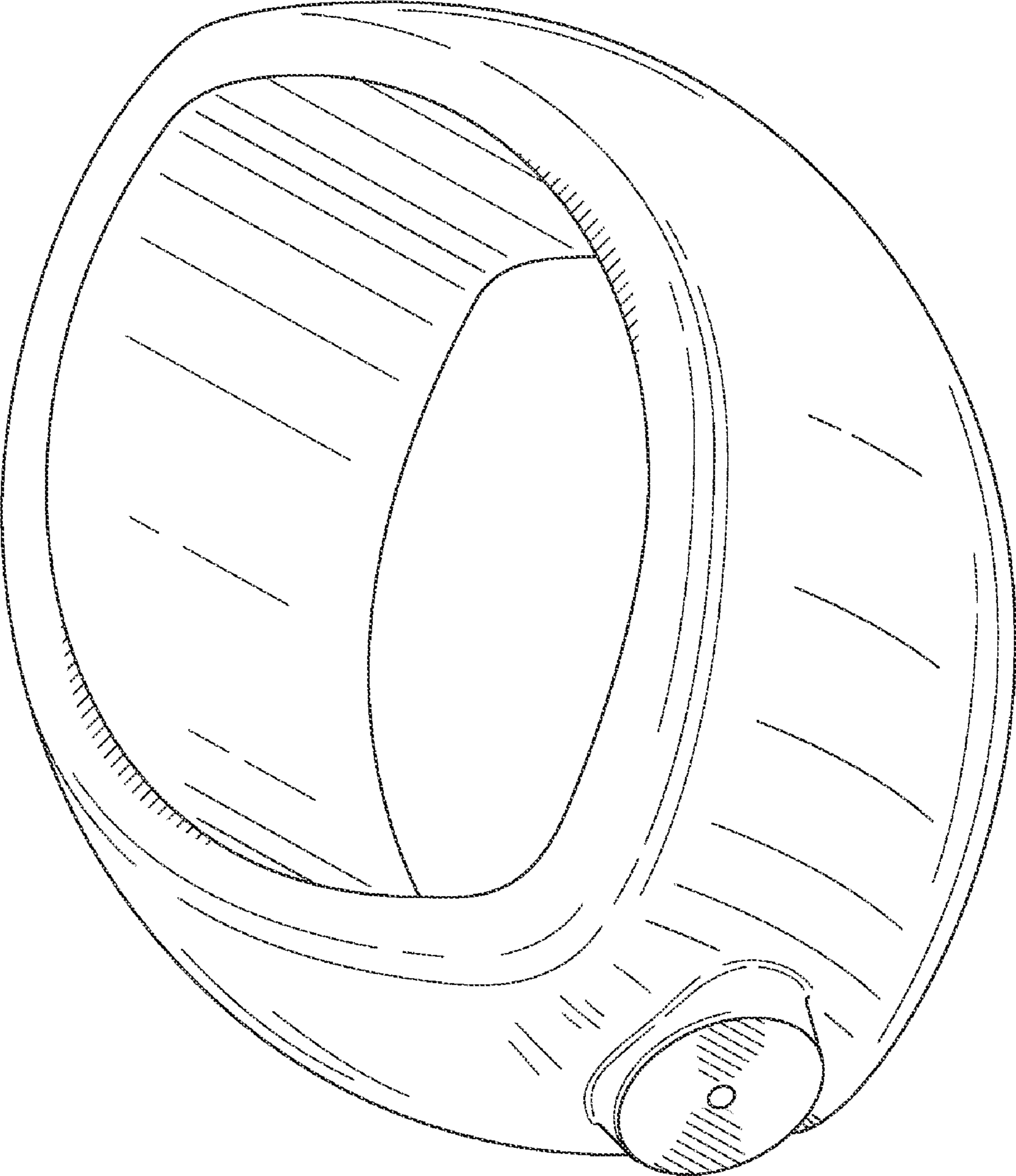
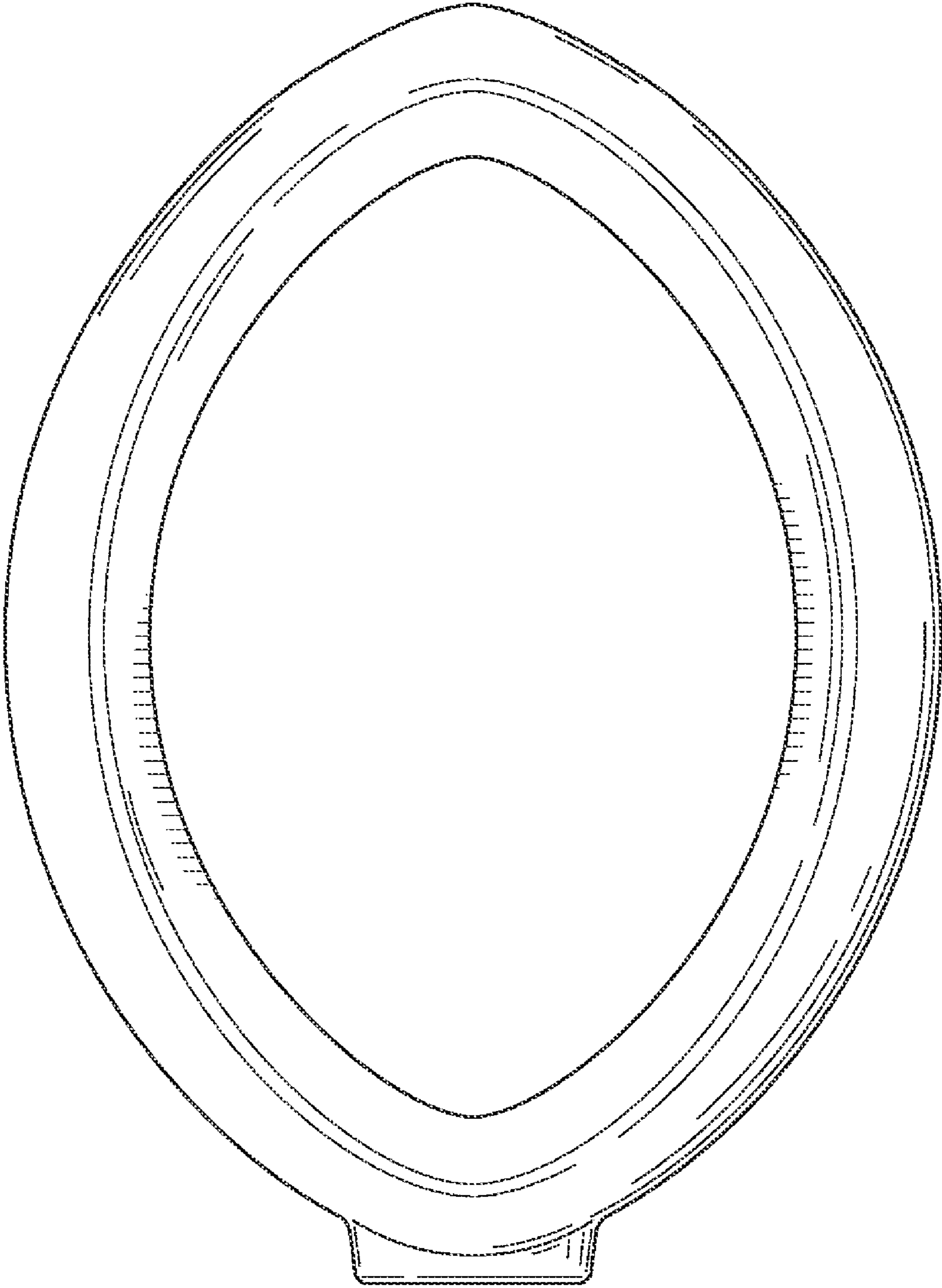
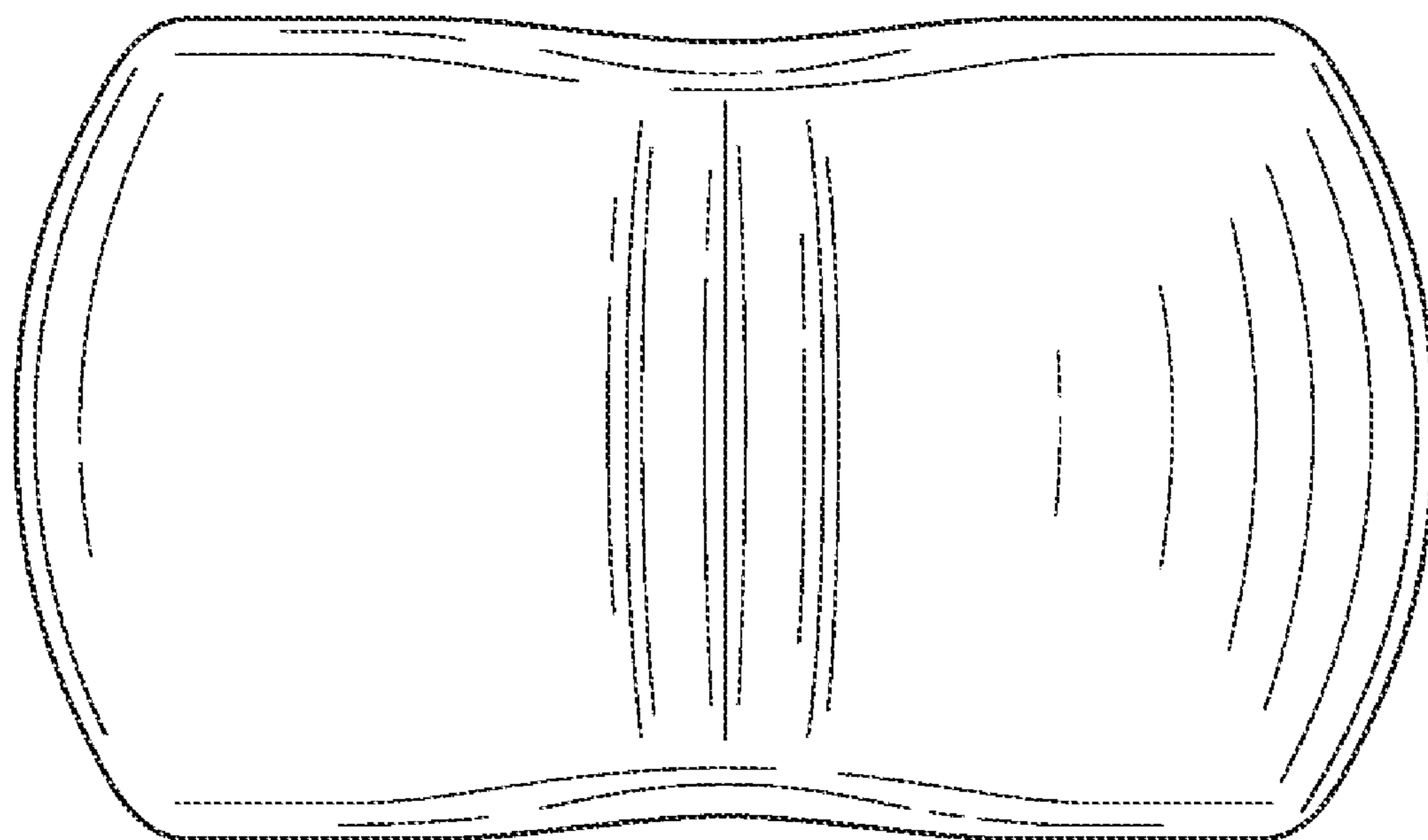


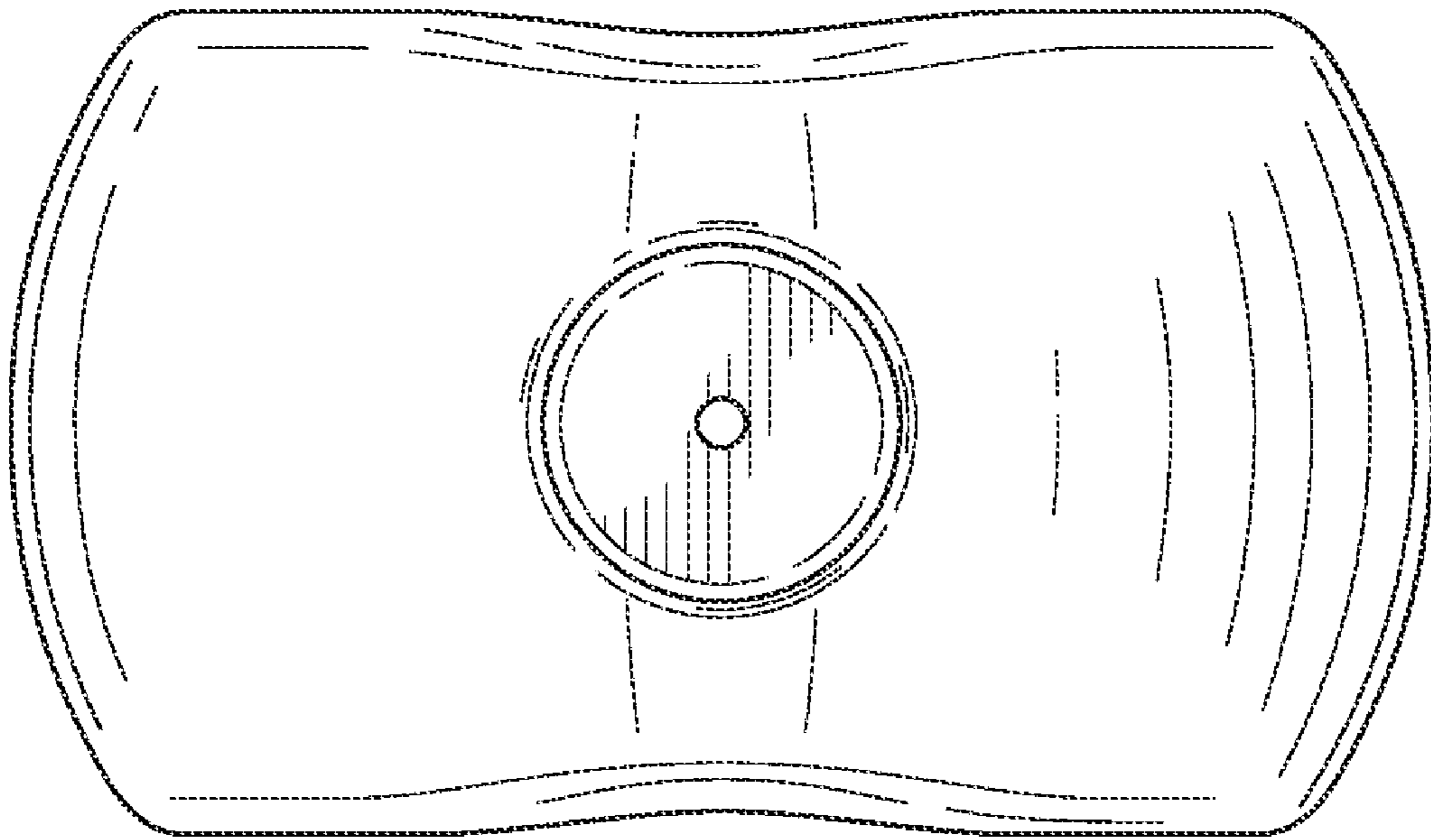
FIG. 8



**FIG. 9**



**FIG. 10**



**FIG. 11**

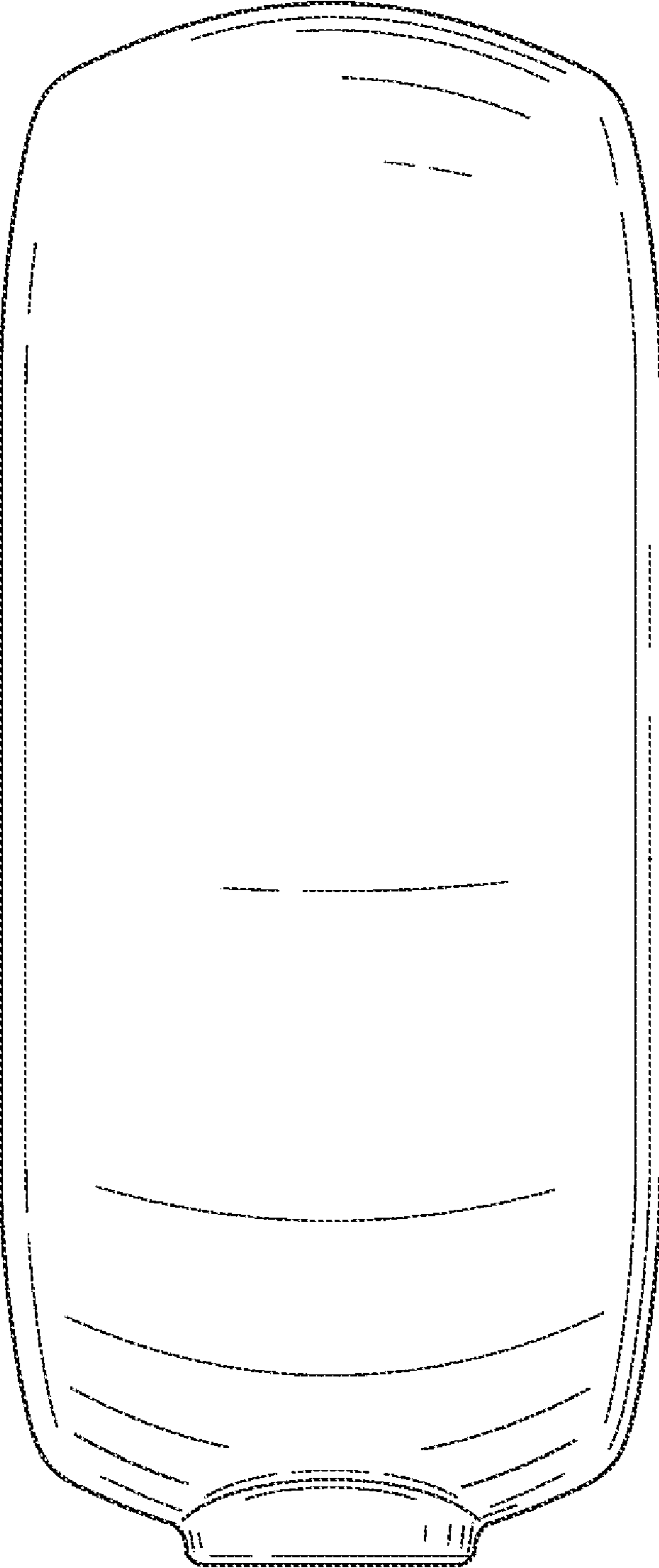


FIG. 12