



US00D623292S

(12) **United States Design Patent**  
**Kubota**

(10) **Patent No.:** **US D623,292 S**

(45) **Date of Patent:** **\*\* Sep. 7, 2010**

(54) **PUNCTURE ADAPTER FOR A PROBE OF AN  
ULTRASONIC DIAGNOSIS APPARATUS**

(75) Inventor: **Takashi Kubota**, Otawara (JP)

(73) Assignees: **Kabushiki Kaisha Toshiba**, Tokyo (JP);  
**Toshiba Medical Systems Corporation**,  
Tochigi-ken (JP)

(\*\*) Term: **14 Years**

(21) Appl. No.: **29/352,306**

(22) Filed: **Dec. 18, 2009**

(30) **Foreign Application Priority Data**

Sep. 30, 2009 (JP) ..... 2009-022622

(51) **LOC (9) Cl.** ..... **24-02**

(52) **U.S. Cl.** ..... **D24/140; D24/146**

(58) **Field of Classification Search** ..... D24/133,  
D24/134, 135, 136, 137, 138, 139, 140, 141,  
D24/142, 143, 146, 150, 152, 171, 144, 145,  
D24/147, 148, 149, 151, 153, 154, 127, 128,  
D24/129, 130, 106-108, 112, 111, 200; D23/40,  
D23/47, 57, 60, 67, 68, 69, 80, 82, 83, 84,  
D23/93, 94, 97, 107; D8/72, 73, 74; 600/184,  
600/201-203, 210-218, 220-223, 224, 225-227;  
606/7, 86 A, 86 B, 119

See application file for complete search history.

(56) **References Cited**

**U.S. PATENT DOCUMENTS**

D151,792 S \* 11/1948 Smith ..... D15/125  
D277,165 S \* 1/1985 DeVroom ..... D8/72  
4,672,957 A \* 6/1987 Hourahane ..... 606/80  
5,250,050 A \* 10/1993 Poggie et al. .... 606/79  
D352,111 S \* 11/1994 Watkins ..... D24/140  
D367,706 S \* 3/1996 Stalcup et al. .... D24/140  
5,562,664 A \* 10/1996 Durlacher et al. .... 606/96

D398,504 S \* 9/1998 Yamashita ..... D8/72  
D401,335 S \* 11/1998 Koros et al. .... D24/133  
D401,941 S \* 12/1998 Slappey ..... D14/253  
D428,148 S \* 7/2000 Segermark et al. .... D24/135  
7,201,756 B2 \* 4/2007 Ross et al. .... 606/96  
D600,807 S \* 9/2009 Dienst et al. .... D24/140  
7,727,192 B2 \* 6/2010 Tokumoto et al. .... 604/116  
2006/0020211 A1 \* 1/2006 Tokumoto et al. .... 600/464

**FOREIGN PATENT DOCUMENTS**

JP 1107721 5/2001  
JP 1267592 4/2006  
JP 1299884 5/2007  
JP 1328489 4/2008

\* cited by examiner

*Primary Examiner*—Bridget L Eland

(74) *Attorney, Agent, or Firm*—Banner & Witcoff, Ltd.

(57) **CLAIM**

The ornamental design for a puncture adapter for a probe of an ultrasonic diagnosis apparatus, as shown and described.

**DESCRIPTION**

FIG. 1 is a front, top and right side perspective view of a puncture adapter for a probe of an ultrasonic diagnosis apparatus, showing my new design;

FIG. 2 is a front, bottom and left side perspective view thereof;

FIG. 3 is a front elevational view thereof;

FIG. 4 is a rear elevational view thereof;

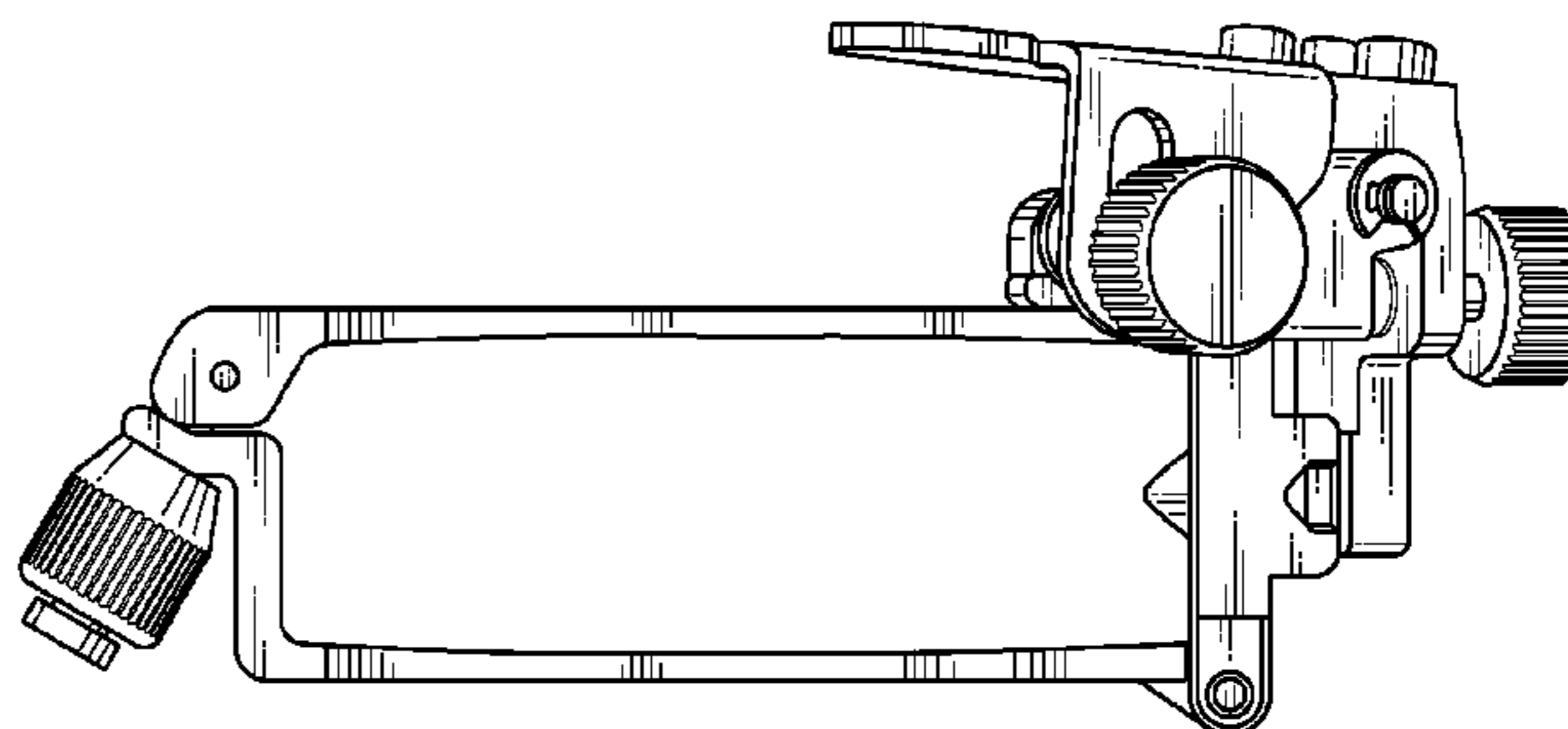
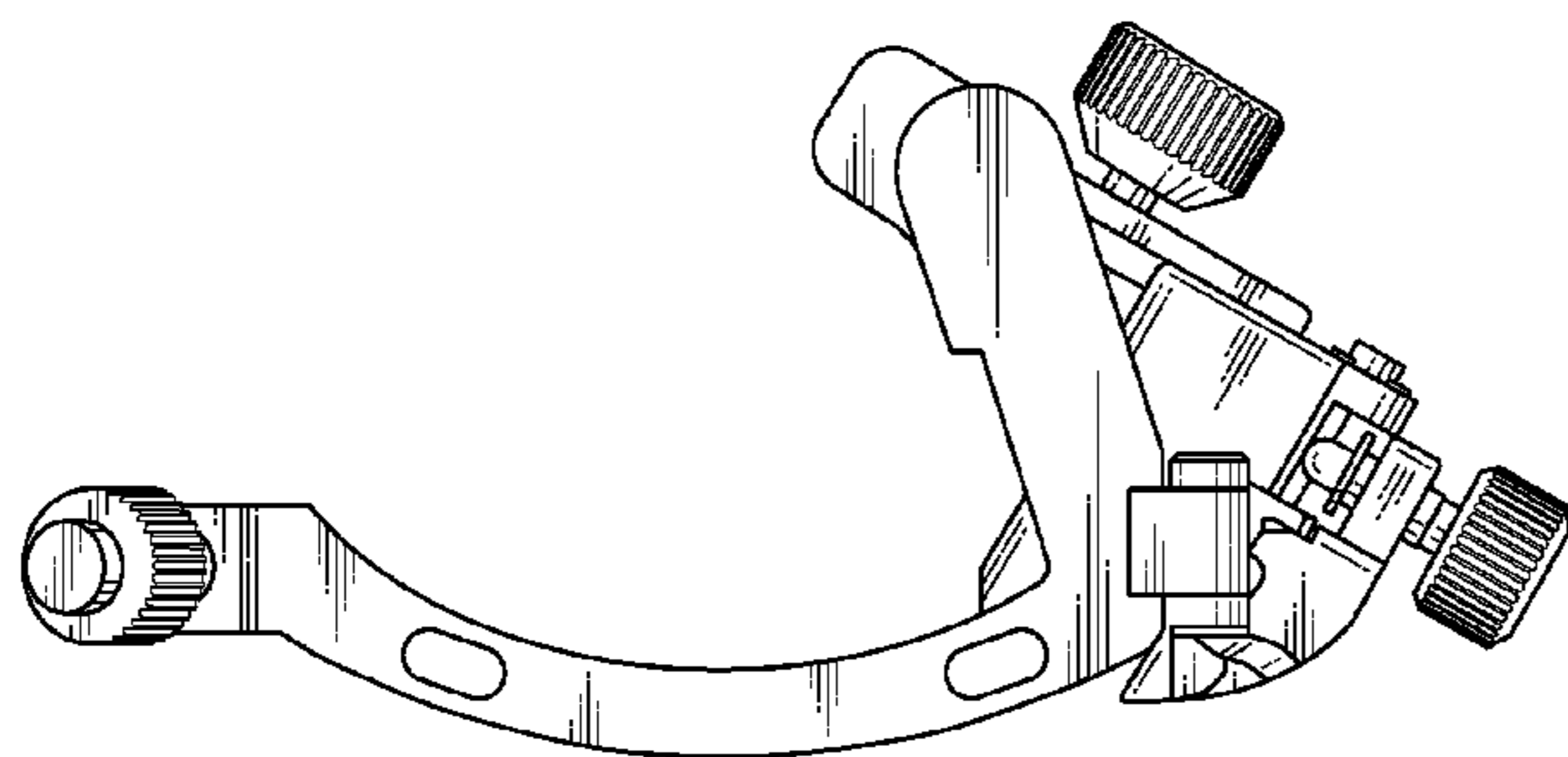
FIG. 5 is a top plan view thereof;

FIG. 6 is a bottom plan view thereof;

FIG. 7 is a right side elevational view thereof; and,

FIG. 8 is a left side elevational view thereof.

**1 Claim, 4 Drawing Sheets**



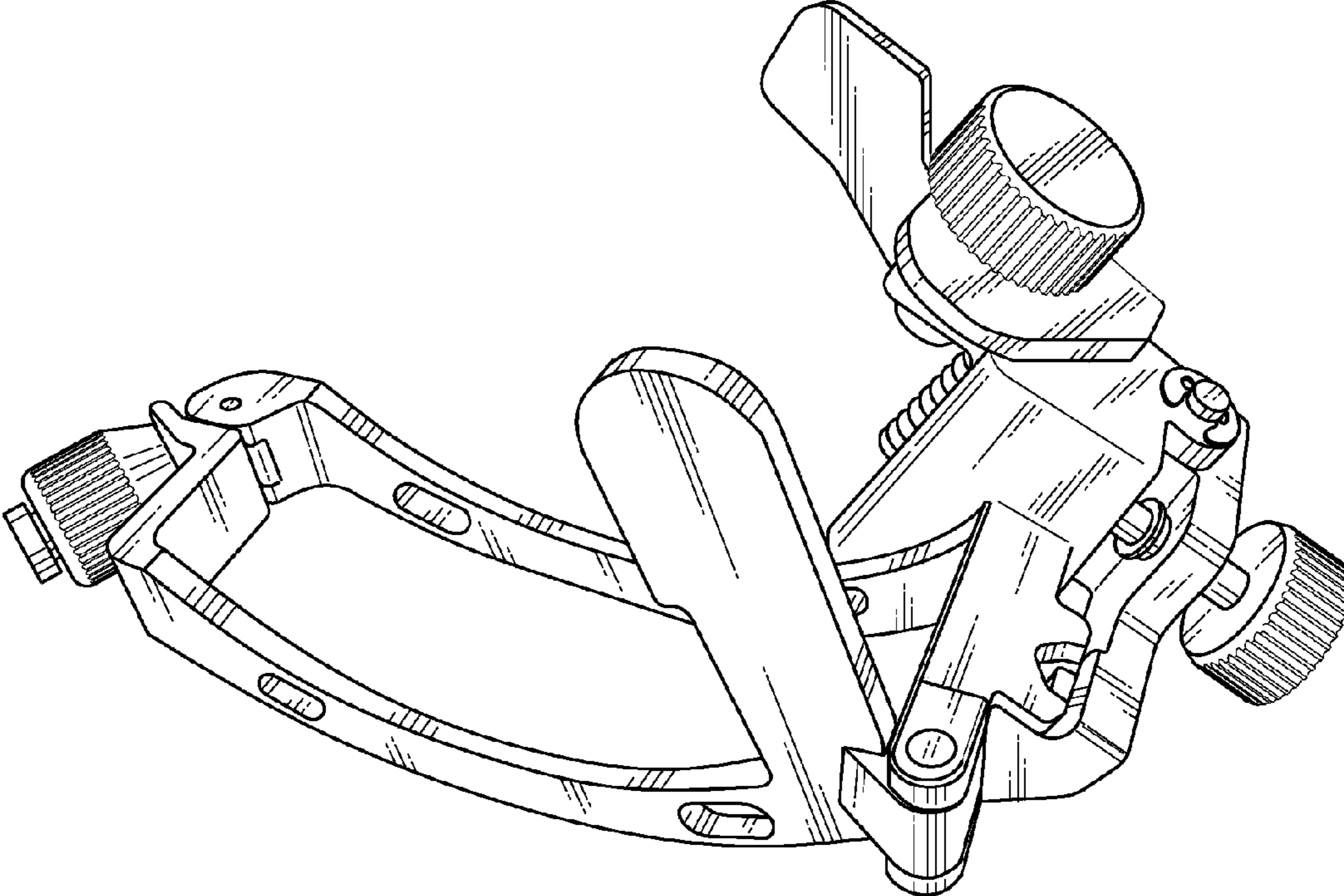


FIG.1

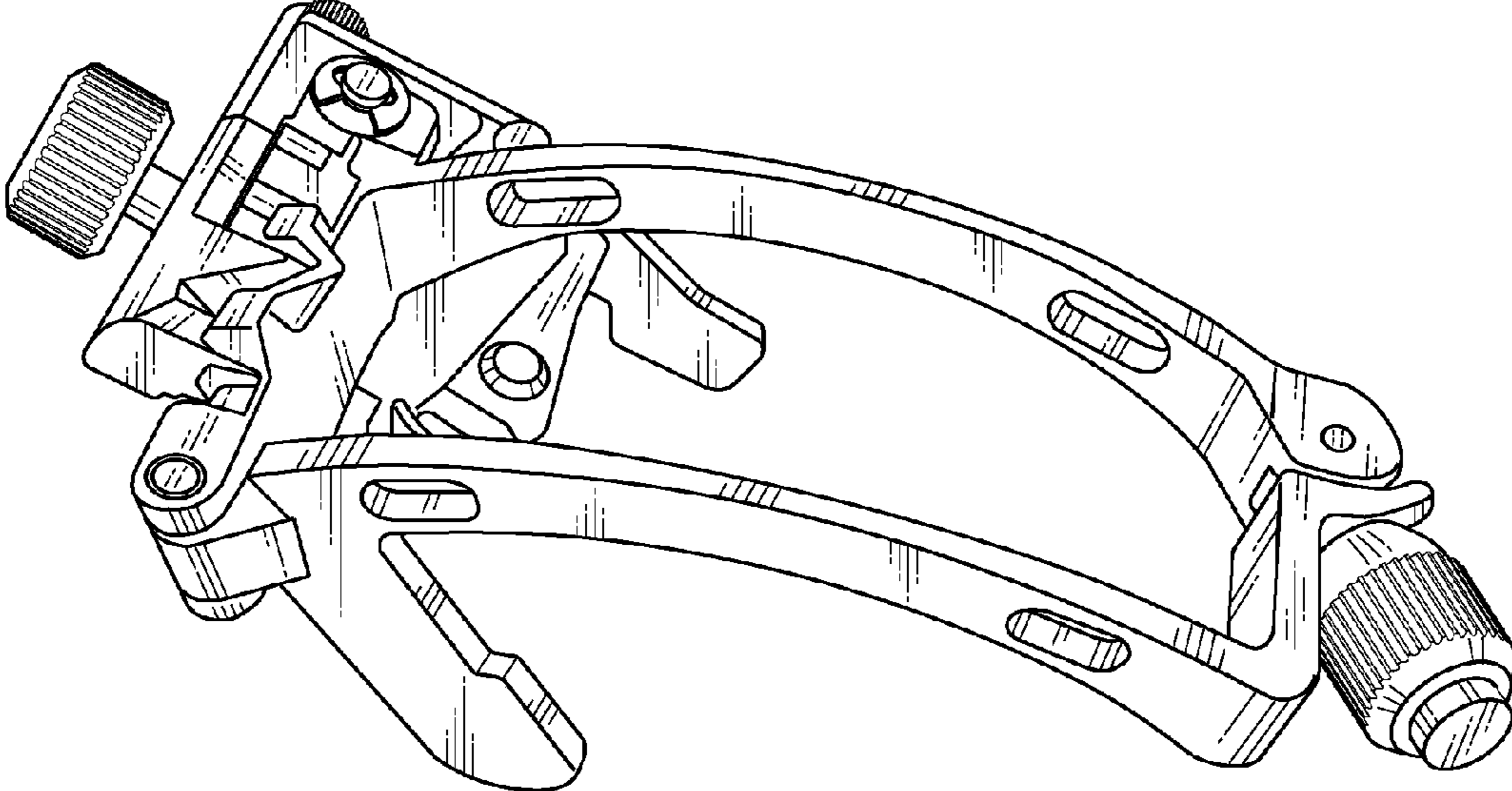


FIG.2

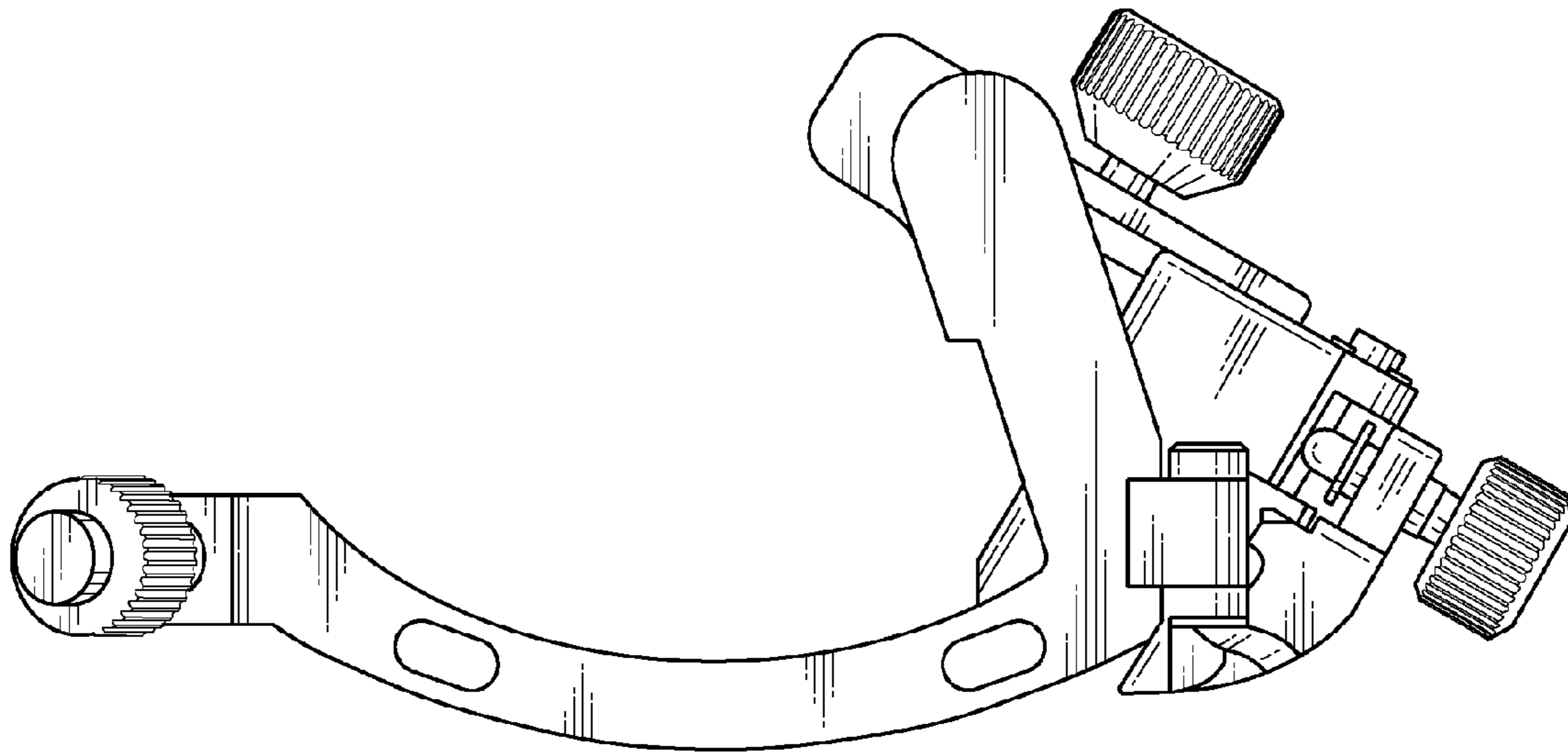


FIG.3

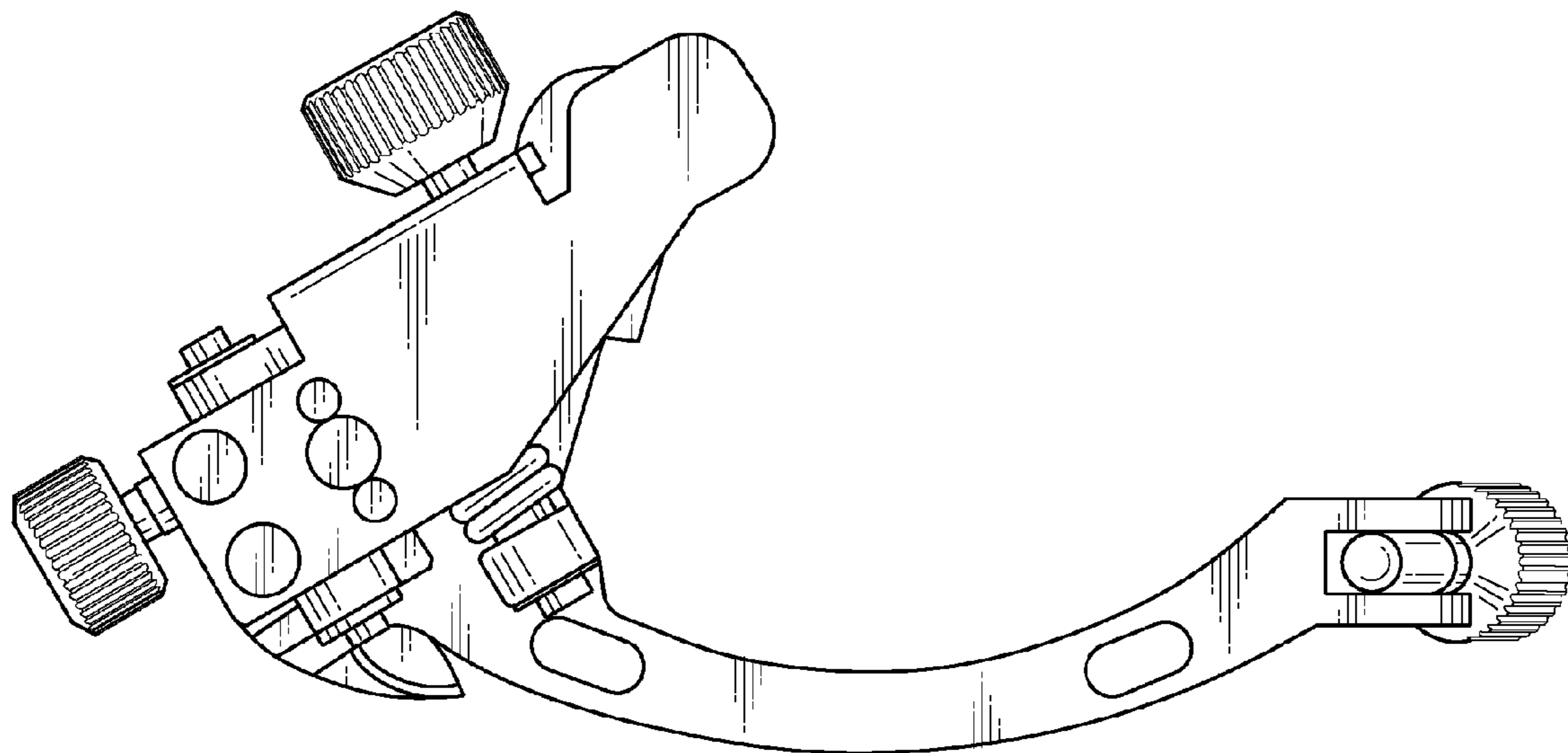


FIG.4

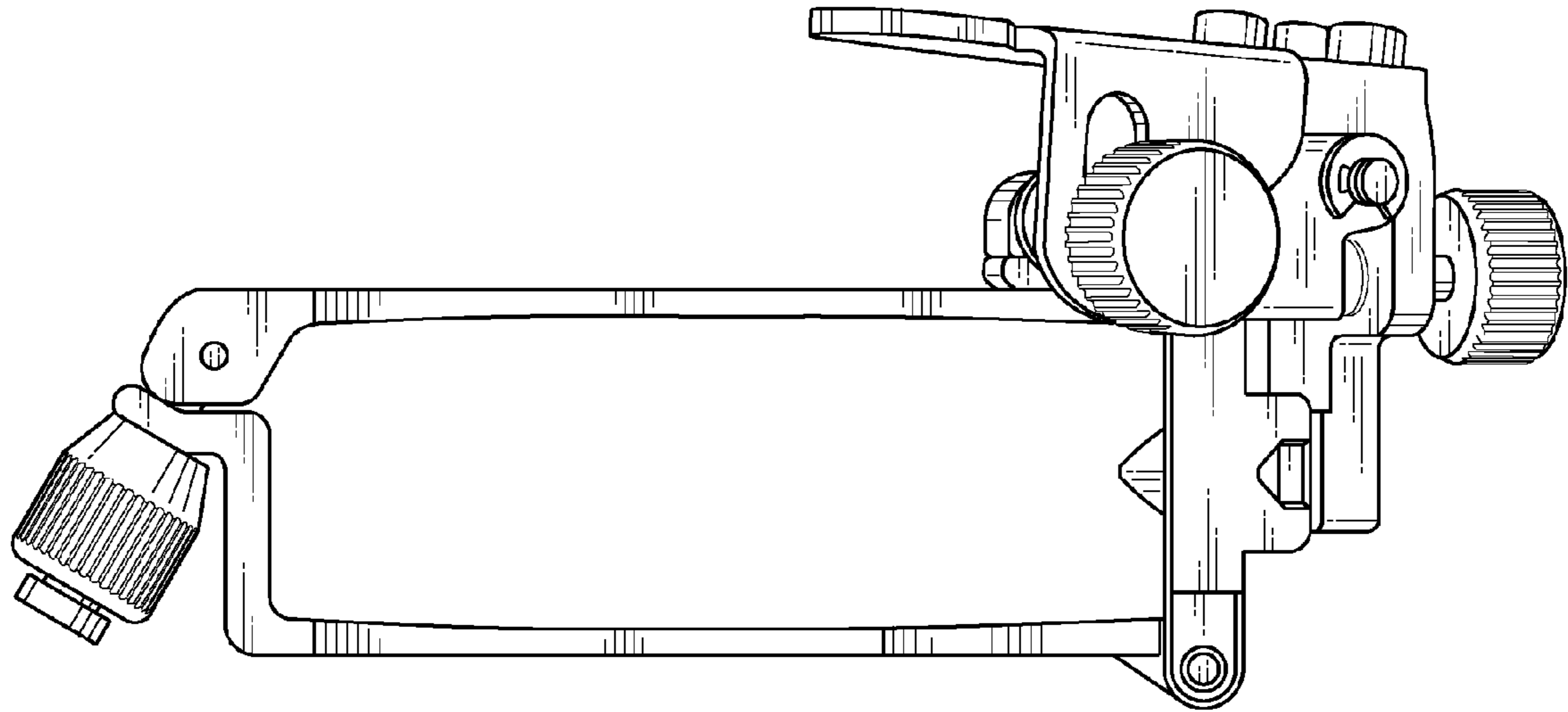


FIG.5

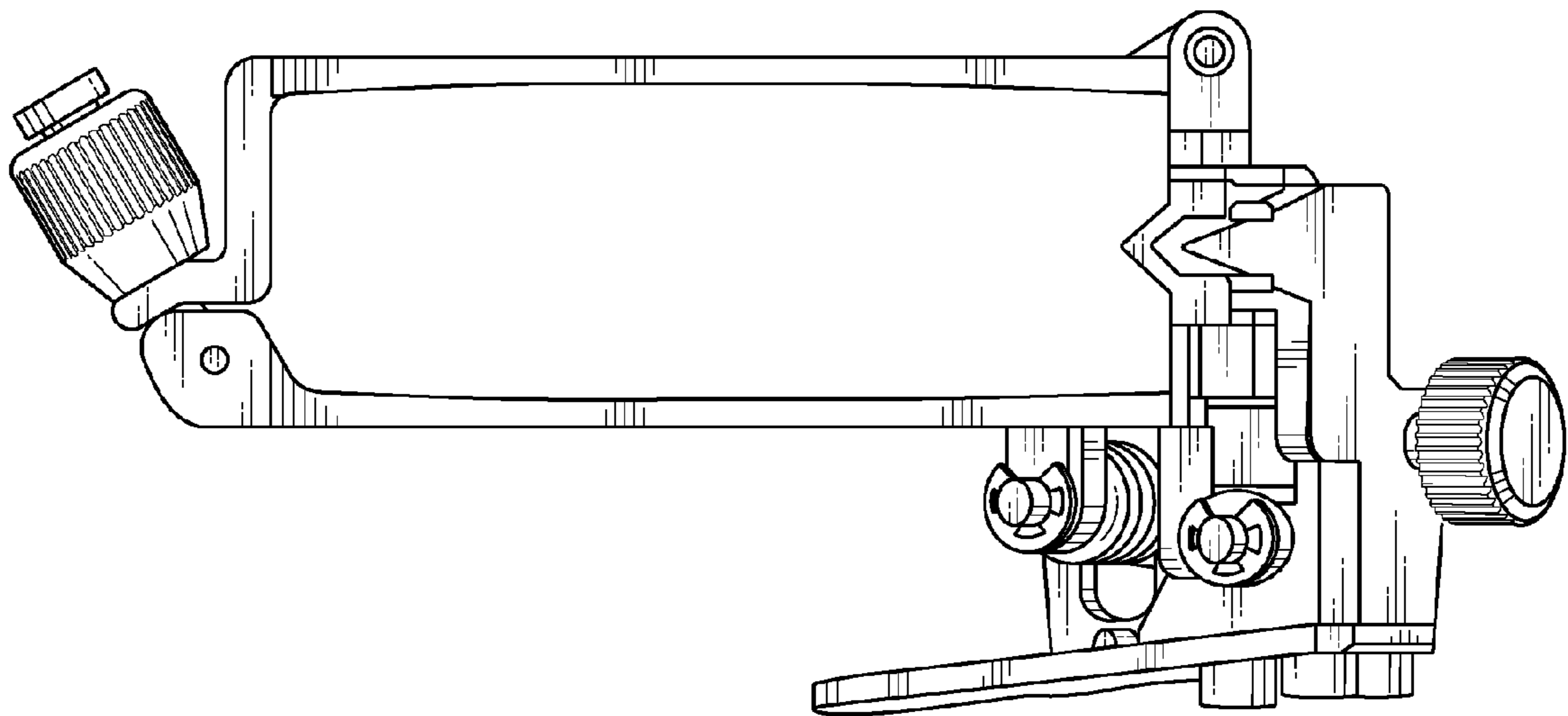


FIG.6

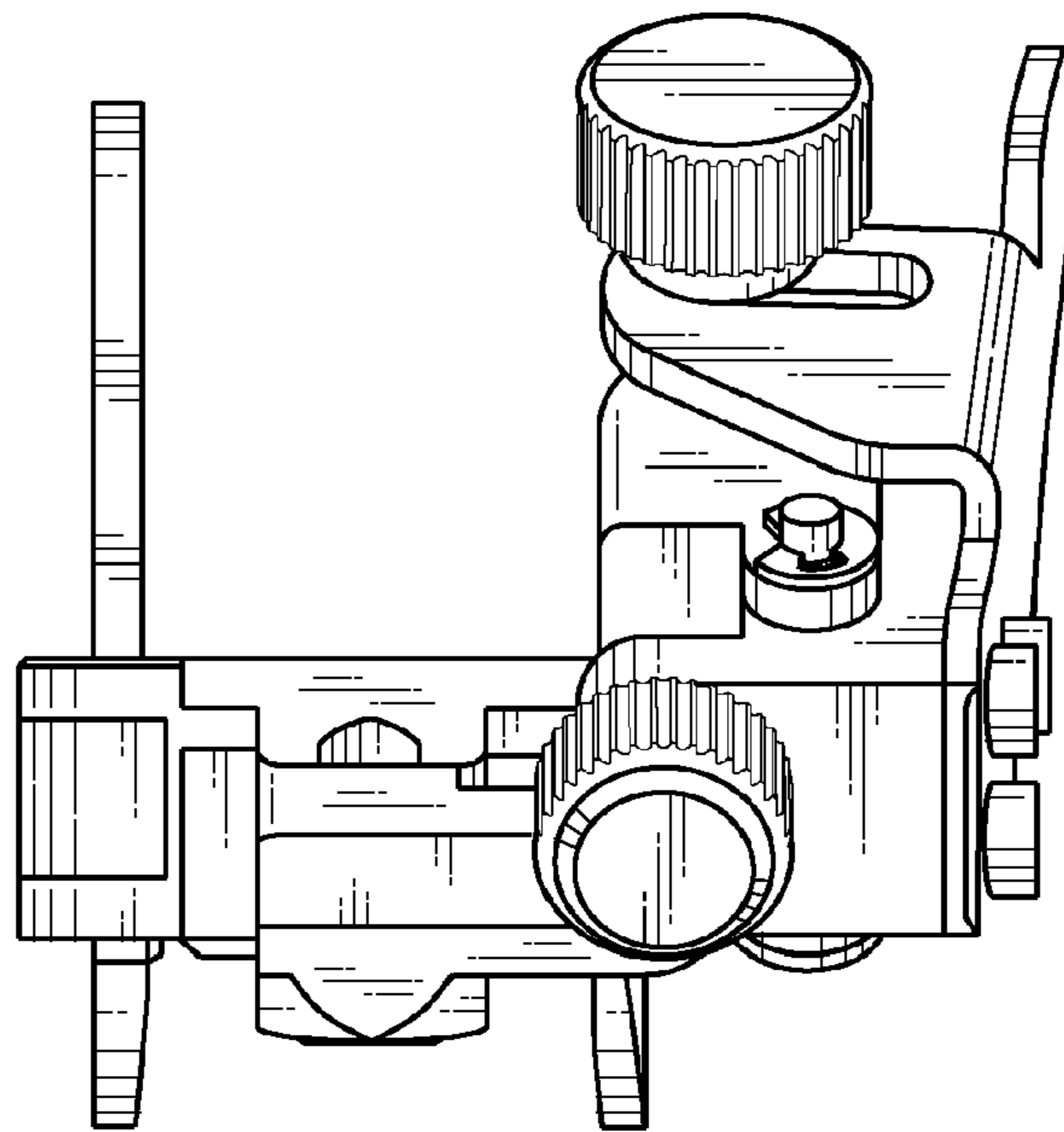


FIG. 7

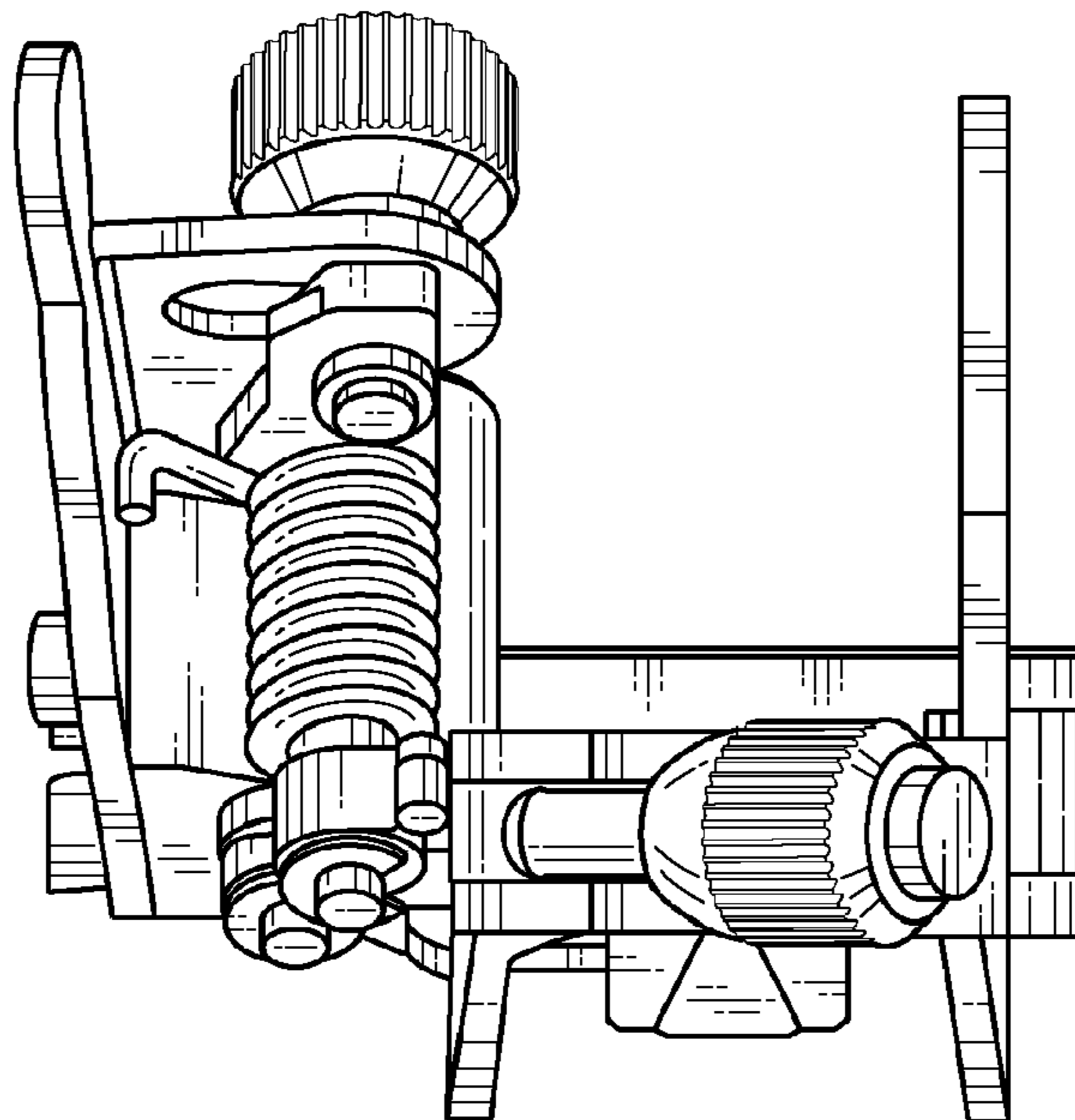


FIG. 8