



US00D623291S

(12) **United States Design Patent**  
**Strong et al.**

(10) **Patent No.:** **US D623,291 S**

(45) **Date of Patent:** **\*\* Sep. 7, 2010**

(54) **LIQUID DISPENSING SYRINGE**

5,509,903 A 4/1996 Grendahl et al.  
D401,324 S 11/1998 Hjertman et al.  
D429,812 S 8/2000 Hjertman et al.

(75) Inventors: **Warren N. Strong**, Hope, RI (US);  
**Michael A. Vidal**, North Attleborough,  
MA (US); **Terrence Woldorf**, Westport,  
MA (US)

(Continued)

**FOREIGN PATENT DOCUMENTS**

(73) Assignee: **Nordson Corporation**, Westlake, OH  
(US)

GB 2020254 A 11/1979

**OTHER PUBLICATIONS**

(\*\*) Term: **14 Years**

European Patent Office, Invitation to Pay Additional Fees in PCT  
Application No. PCT/US2007/070971, Dec. 13, 2007.

(21) Appl. No.: **29/326,873**

(Continued)

(22) Filed: **Oct. 27, 2008**

**Related U.S. Application Data**

(62) Division of application No. 29/280,974, filed on Jun.  
12, 2007, now Pat. No. Des. 588,693.

*Primary Examiner*—T. Chase Nelson  
*Assistant Examiner*—Eric L Goodman

(74) *Attorney, Agent, or Firm*—Wood, Herron & Evans,  
L.L.P.

(51) **LOC (9) Cl.** ..... **24-02**

(52) **U.S. Cl.** ..... **D24/130**

(58) **Field of Classification Search** ..... D24/129,  
D24/112–114; 604/68–70, 411

See application file for complete search history.

(57) **CLAIM**

The ornamental design for a liquid dispensing syringe, there-  
for as shown and described.

**DESCRIPTION**

FIG. 1 is a perspective view of the liquid dispensing syringe  
illustrated with an upper cap and a lower cap.

FIG. 2 is a front view of the liquid dispensing syringe with the  
rear view being a mirror image thereof.

FIG. 3 is a right side view of the liquid dispensing syringe  
with the left side view being a mirror image thereof.

FIG. 4 is a top view of the liquid dispensing syringe.

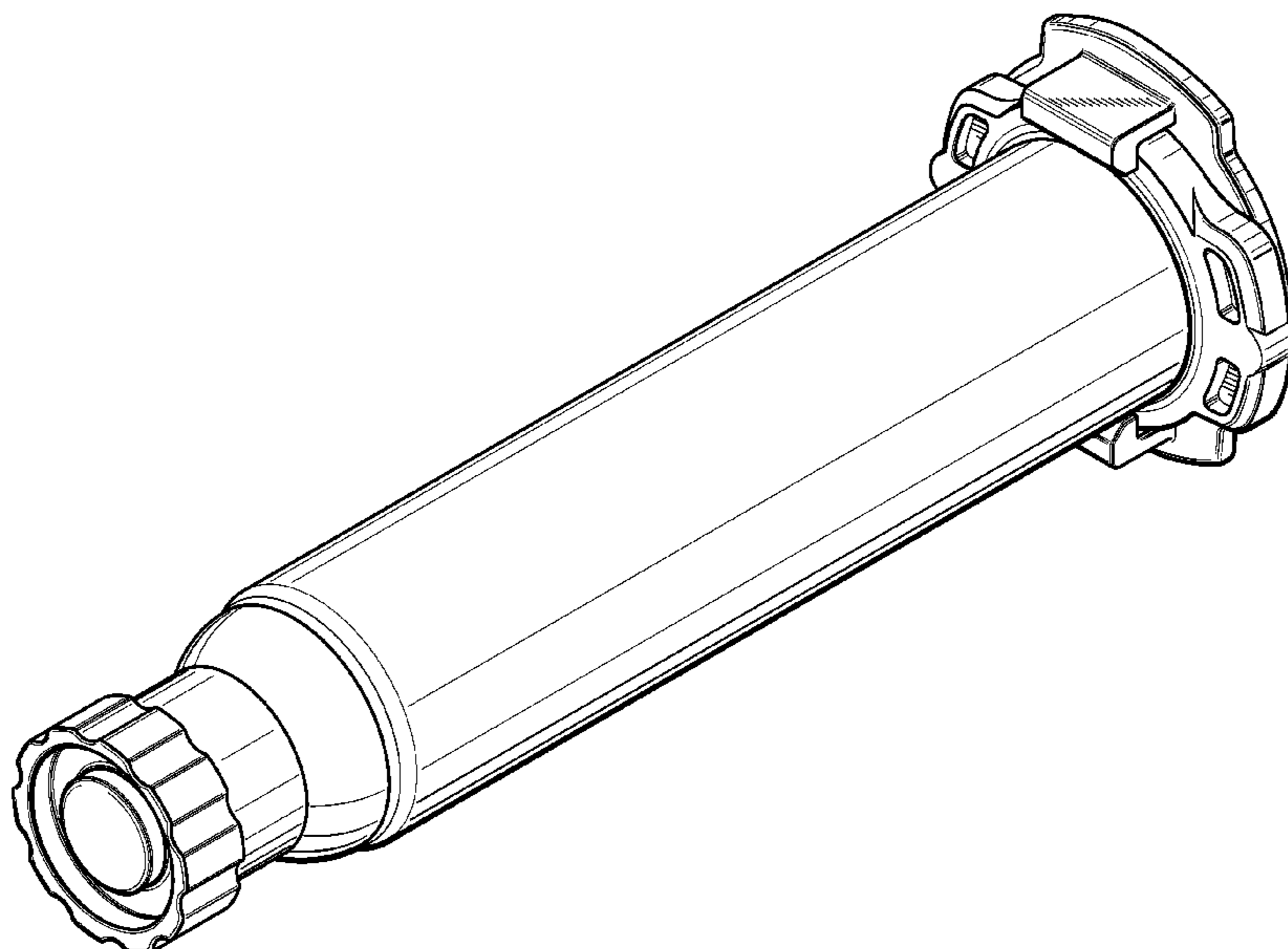
FIG. 5 is a bottom view of the liquid dispensing syringe; and,  
FIG. 6 is a rear perspective view of the liquid dispensing  
syringe.

(56) **References Cited**

**U.S. PATENT DOCUMENTS**

2,830,586 A 4/1958 Dann et al.  
2,952,255 A 9/1960 Hein, Jr.  
3,149,717 A 9/1964 Castelli  
3,237,815 A 3/1966 Ogle  
4,067,332 A 1/1978 O'Leary  
D262,739 S 1/1982 Nitshke  
4,708,270 A 11/1987 Ruesch  
D294,640 S 3/1988 Wicken et al.  
D302,206 S 7/1989 McAlister et al.  
D306,069 S 2/1990 Kelly et al.  
D321,759 S 11/1991 Buswell et al.  
D338,957 S 8/1993 de Faire et al.

**1 Claim, 4 Drawing Sheets**



# US D623,291 S

Page 2

---

## U.S. PATENT DOCUMENTS

D431,864 S 10/2000 Jansen  
D447,797 S 9/2001 Odell et al.  
D447,799 S 9/2001 Jun  
D543,278 S 5/2007 Numata et al.  
D558,340 S \* 12/2007 Hochman et al. .... D24/130  
D581,048 S \* 11/2008 Kawamura ..... D24/130  
D584,407 S \* 1/2009 Kawamura ..... D24/130  
D588,693 S \* 3/2009 Strong et al. .... D24/129  
D608,000 S \* 1/2010 Kawamura ..... D24/130

2005/0029306 A1 2/2005 Brennan  
2006/0089594 A1 4/2006 Landau  
2007/0000951 A1 1/2007 Springhorn

## OTHER PUBLICATIONS

European Patent Office, International Search Report and Written  
Opinion in PCT Application Serial No. PCT/US2007/070971, Nov.  
29, 2007.

\* cited by examiner

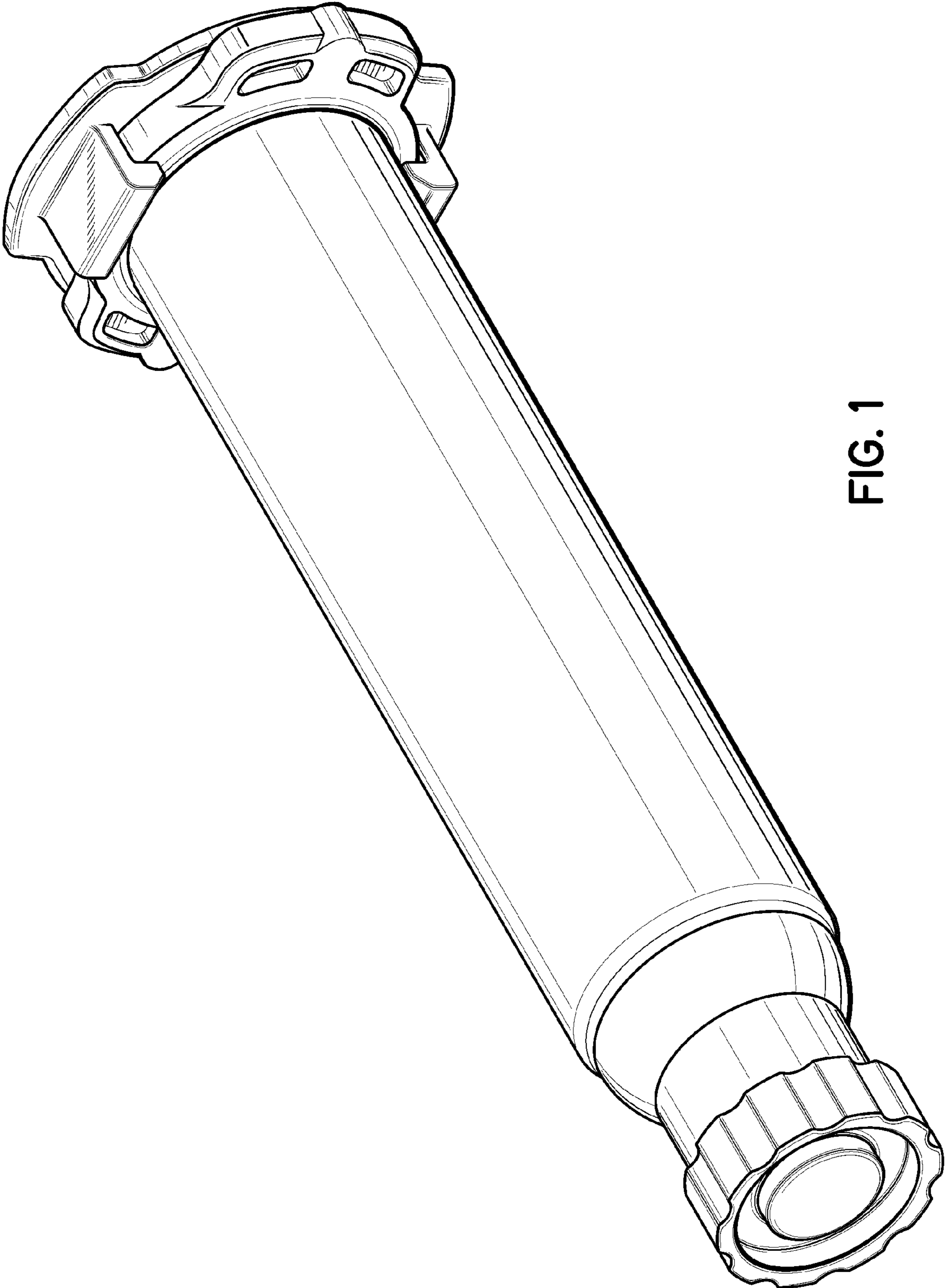


FIG. 1

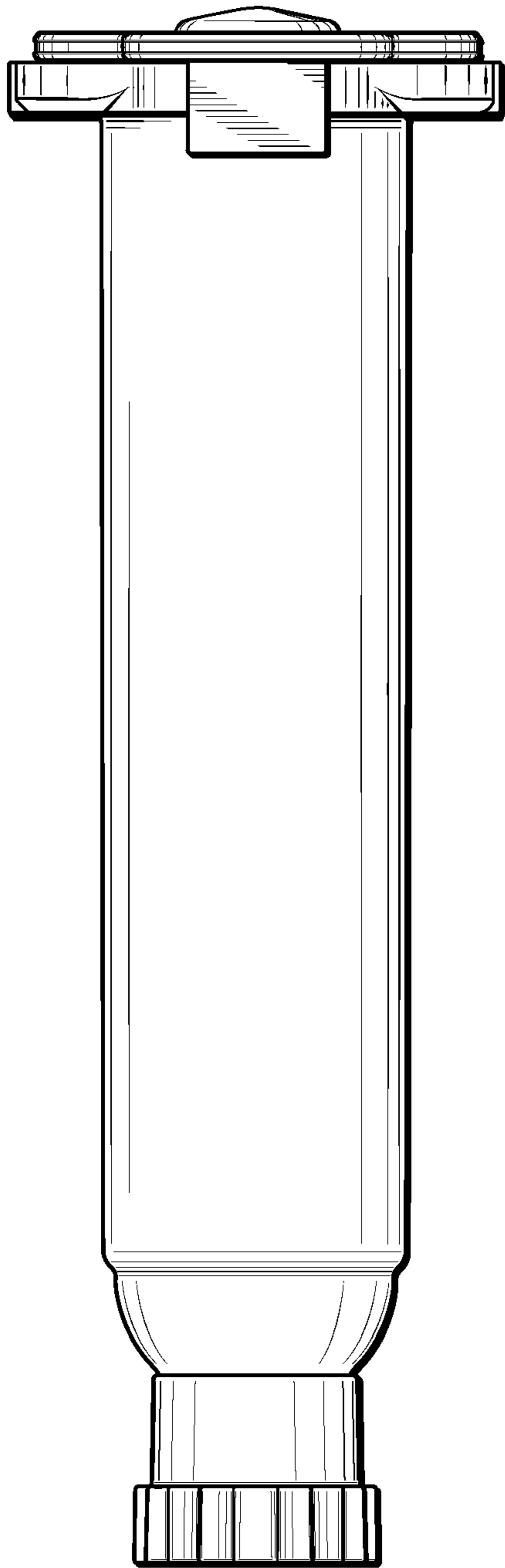


FIG. 2

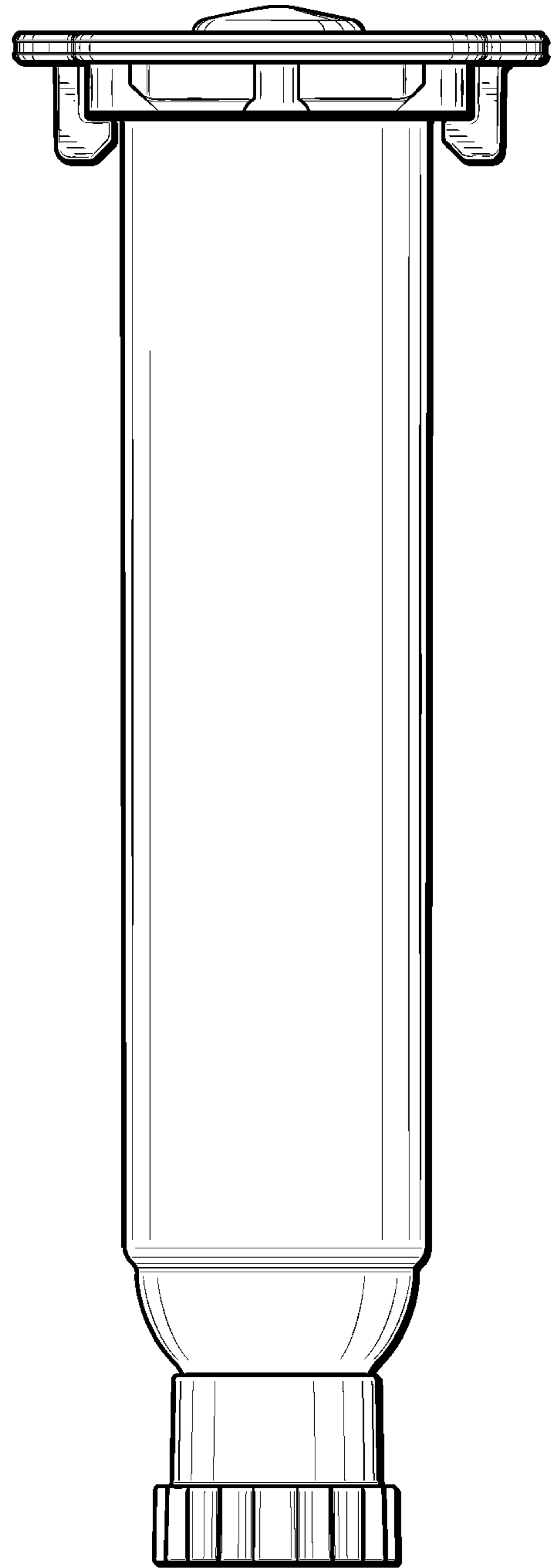


FIG. 3



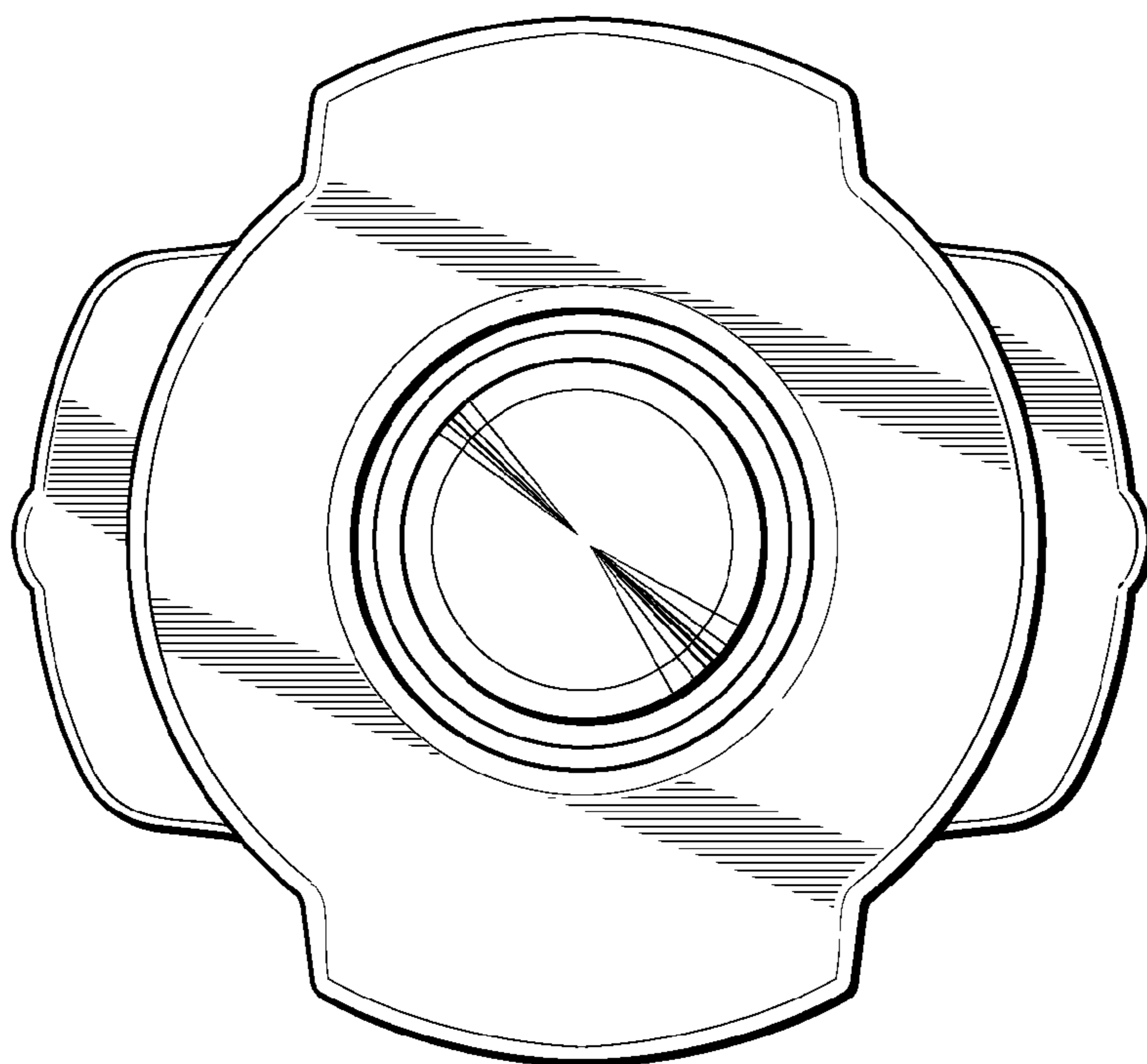


FIG. 4

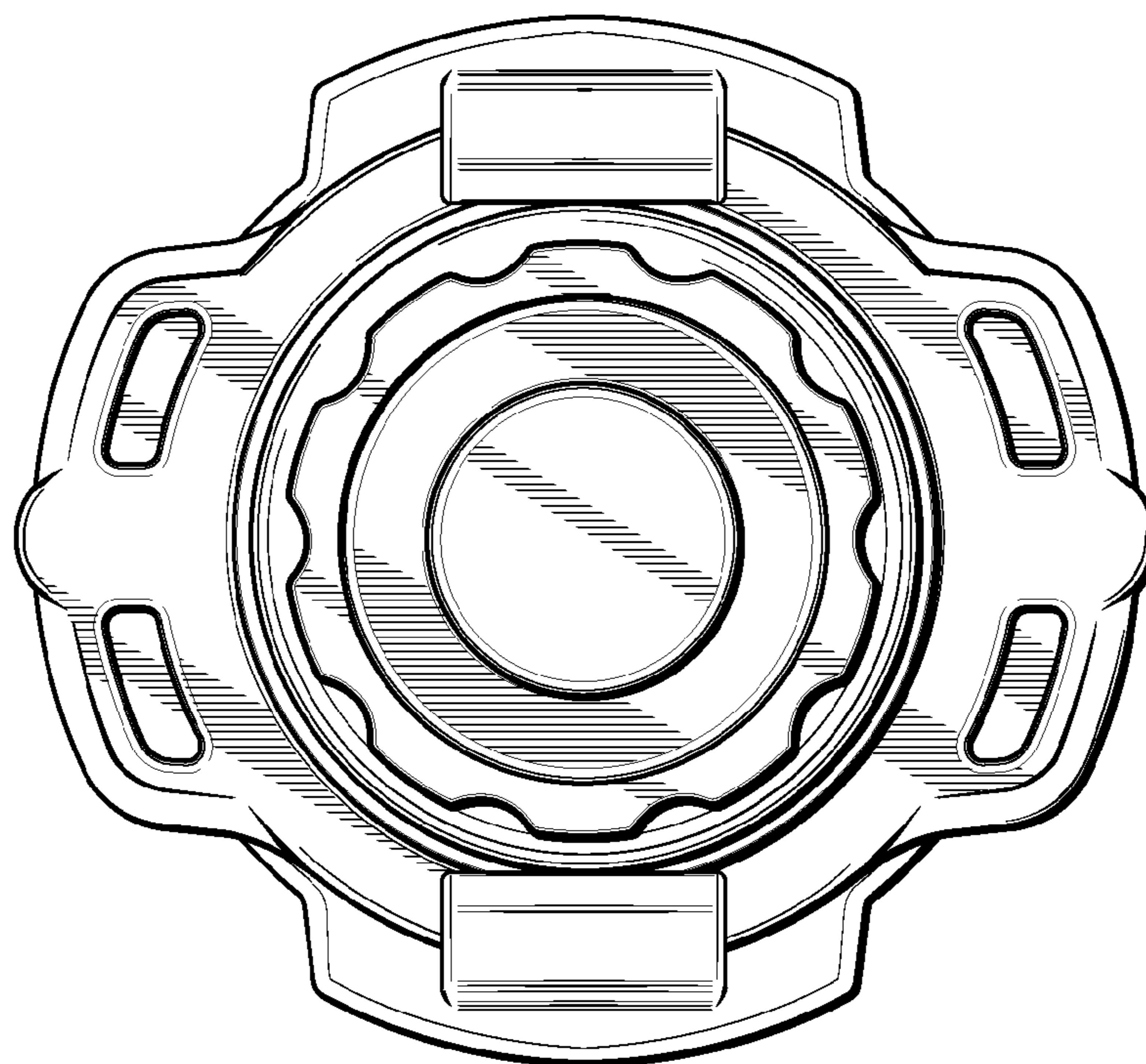


FIG. 5

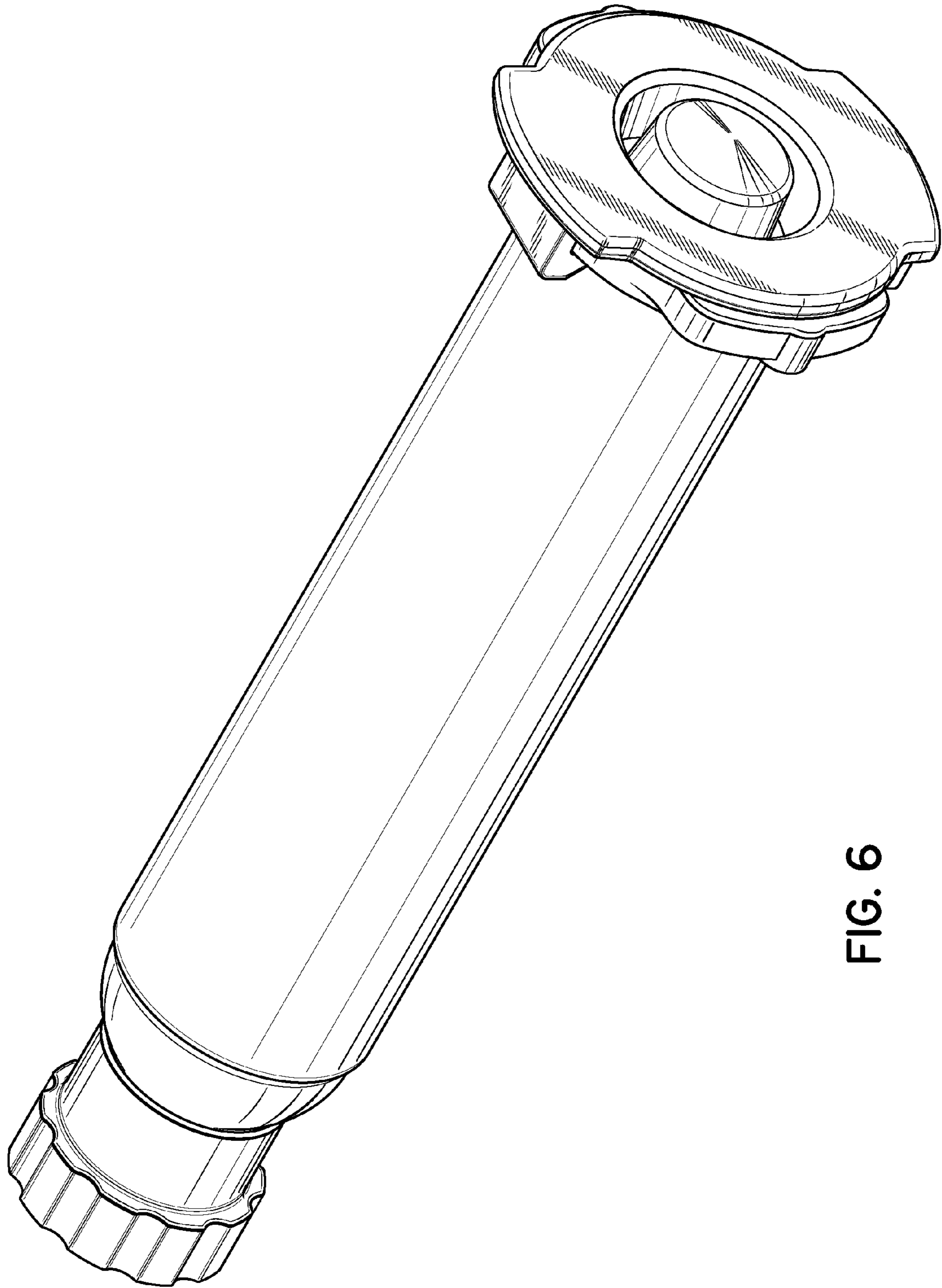


FIG. 6