



US00D623290S

(12) **United States Design Patent**  
**Young et al.**

(10) **Patent No.:** **US D623,290 S**

(45) **Date of Patent:** **\*\* Sep. 7, 2010**

(54) **VAGINAL SHIELD**

(76) Inventors: **Wendy Ann Young**, 3226 - 169<sup>TH</sup> Ave.,  
Court East, Lake Tapps, WA (US) 98391;  
**Lisa Nanette Alexander**, 20004 - 230<sup>th</sup>  
Ave. East, Orting, WA (US) 98360

(\*\*) Term: **14 Years**

(21) Appl. No.: **29/326,349**

(22) Filed: **Oct. 16, 2008**

(51) **LOC (9) Cl.** ..... **24-04**

(52) **U.S. Cl.** ..... **D24/124**

(58) **Field of Classification Search** ..... D24/124,  
D24/125, 126; 604/346, 347, 349, 354, 358,  
604/384, 385.01, 386, 387, 389, 390; 607/41  
See application file for complete search history.

(56) **References Cited**

**U.S. PATENT DOCUMENTS**

2,534,934	A	12/1950	Viniegra	
4,043,329	A	8/1977	DiMatteo	
4,421,511	A *	12/1983	Steer et al.	604/329
4,496,355	A *	1/1985	Hall et al.	604/327
4,795,449	A *	1/1989	Schneider et al.	604/329
4,822,347	A *	4/1989	MacDougall	604/329
4,846,819	A *	7/1989	Welch	604/329
4,938,233	A	7/1990	Orrison	
5,207,233	A	5/1993	Barnes	
5,269,320	A	12/1993	Hunnicut	
5,669,395	A	9/1997	Thompson	
D396,284	S *	7/1998	Schaefer	D24/122
5,895,349	A *	4/1999	Tihon	600/29
D444,561	S	7/2001	Stein	
D455,488	S *	4/2002	James	D24/105
D482,446	S *	11/2003	Rainville-Lonn et al.	D24/125
6,681,771	B2	1/2004	Durette	

6,732,737	B1	5/2004	Brown	
6,733,438	B1 *	5/2004	Dann et al.	600/38
7,171,699	B2 *	2/2007	Ernest et al.	4/144.2
2009/0036858	A1	2/2009	Van Den Bogart et al.	
2009/0065008	A1	3/2009	Clodius-Talmadge	

\* cited by examiner

*Primary Examiner*—T. Chase Nelson

*Assistant Examiner*—Michelle E Wilson

(74) *Attorney, Agent, or Firm*—R. Reams Goodloe, Jr.

(57) **CLAIM**

The ornamental design of a vaginal shield, as shown and described.

**DESCRIPTION**

FIG. 1 is a perspective view of a vaginal shield, showing the novel vaginal shield design.

FIG. 2 is a top view of the vaginal shield design.

FIG. 3 is a bottom view of the vaginal shield design.

FIG. 4 is a side view, taken looking at the right side of the vaginal shield design.

FIG. 5 is a side view, taken looking at the left side of the vaginal shield design.

FIG. 6 is a top plan view of the vaginal shield design; and,

FIG. 7 is a bottom plan view of the vaginal shield design.

In each of the drawing figures, the portions of the vaginal shield that are shown in broken lines are for illustrative purposes only and form no part of the claimed design.

The characteristic feature of the design resides in the vaginal shield, namely a flexible disposal shield having sufficient volume and anatomically sized and shaped to receive and enclose adult female genitals.

**1 Claim, 2 Drawing Sheets**

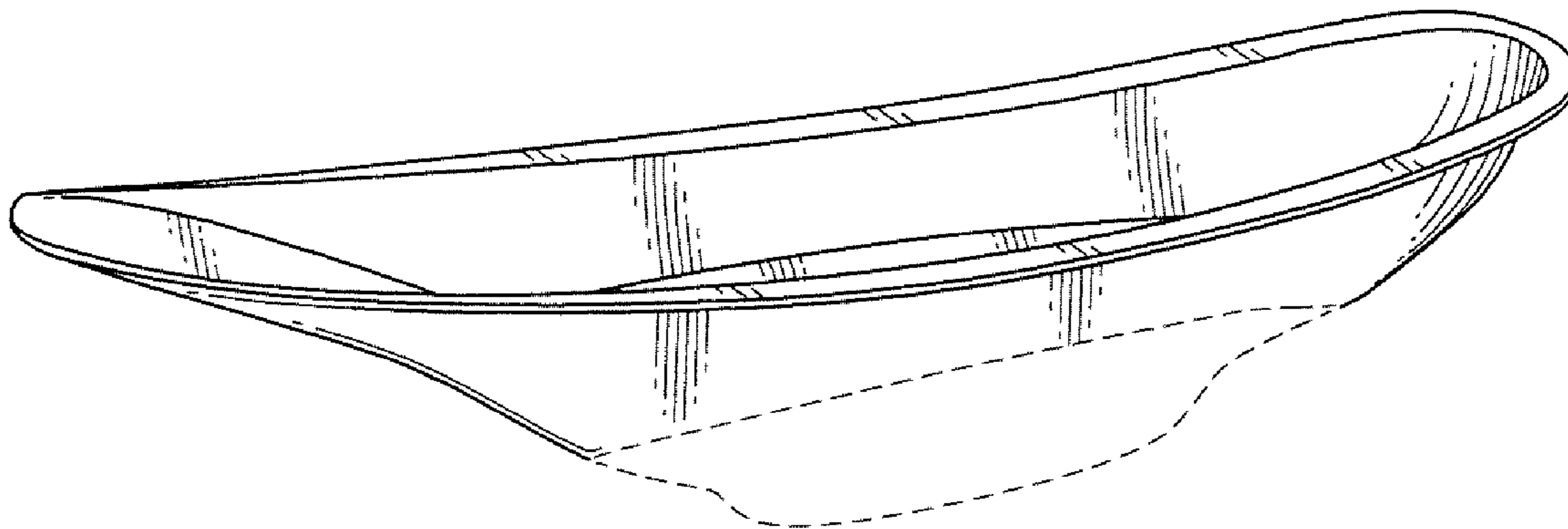


FIG. 1

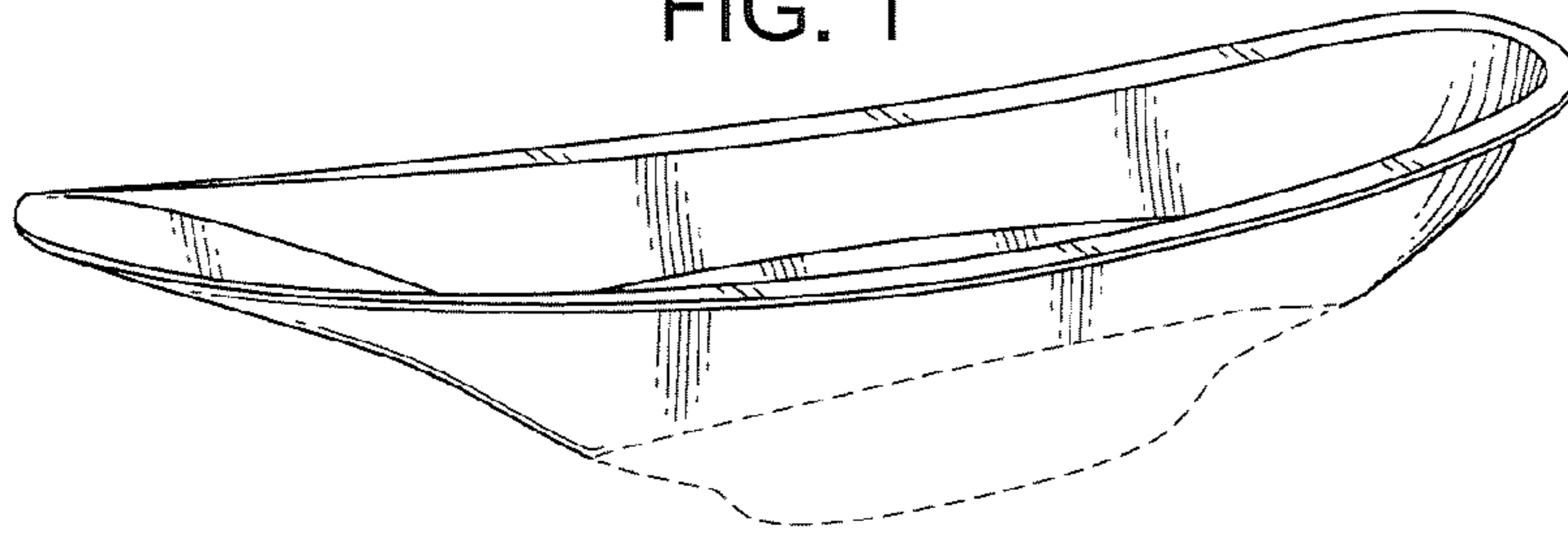


FIG. 2

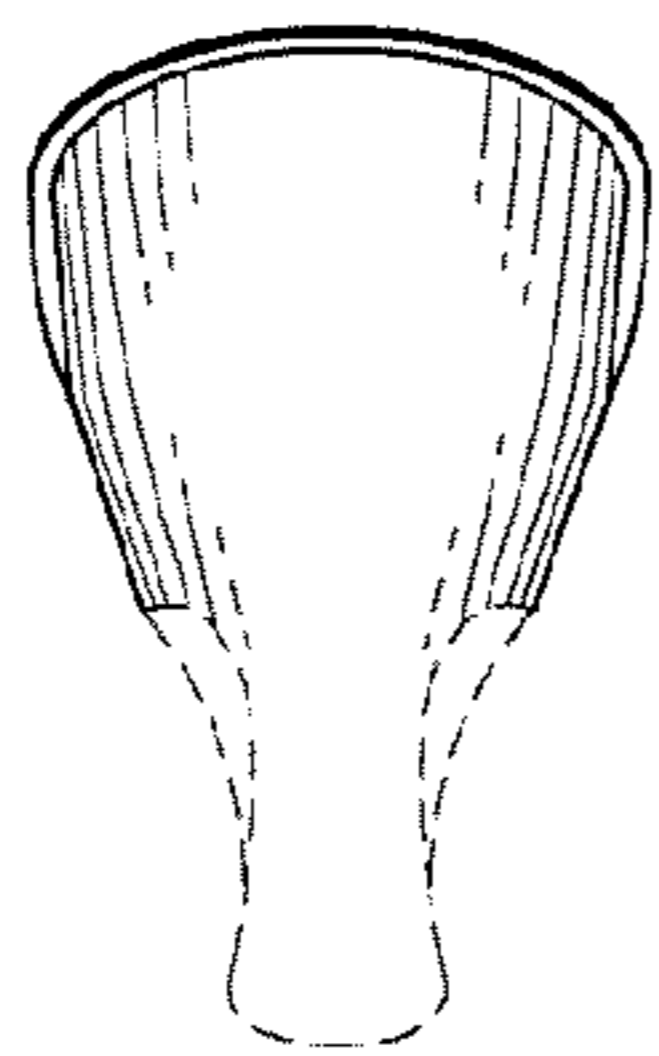


FIG. 3

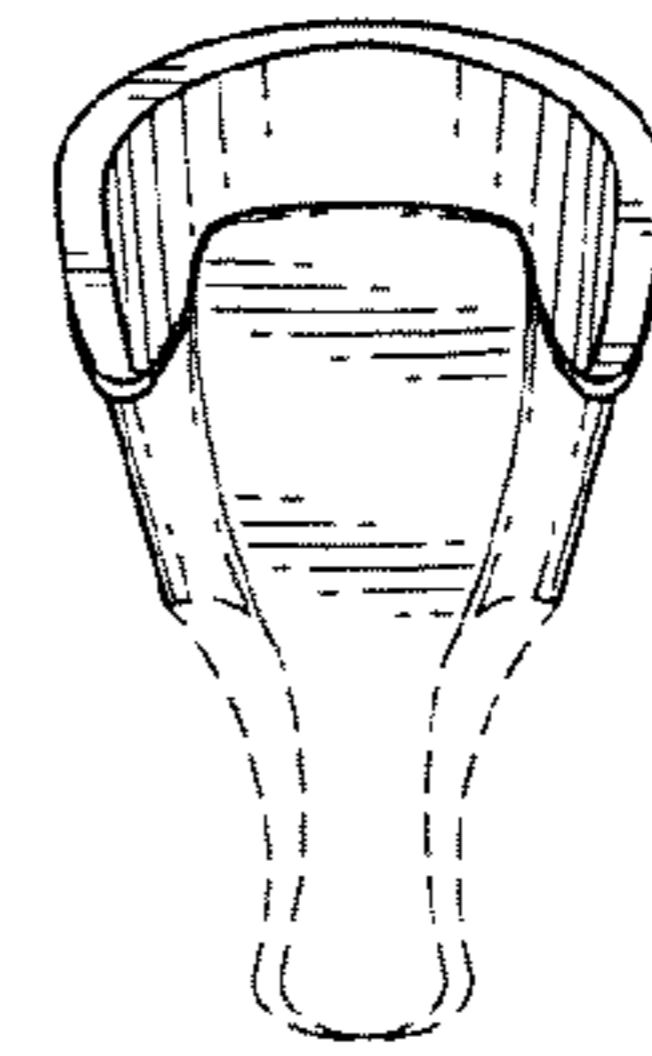


FIG. 4

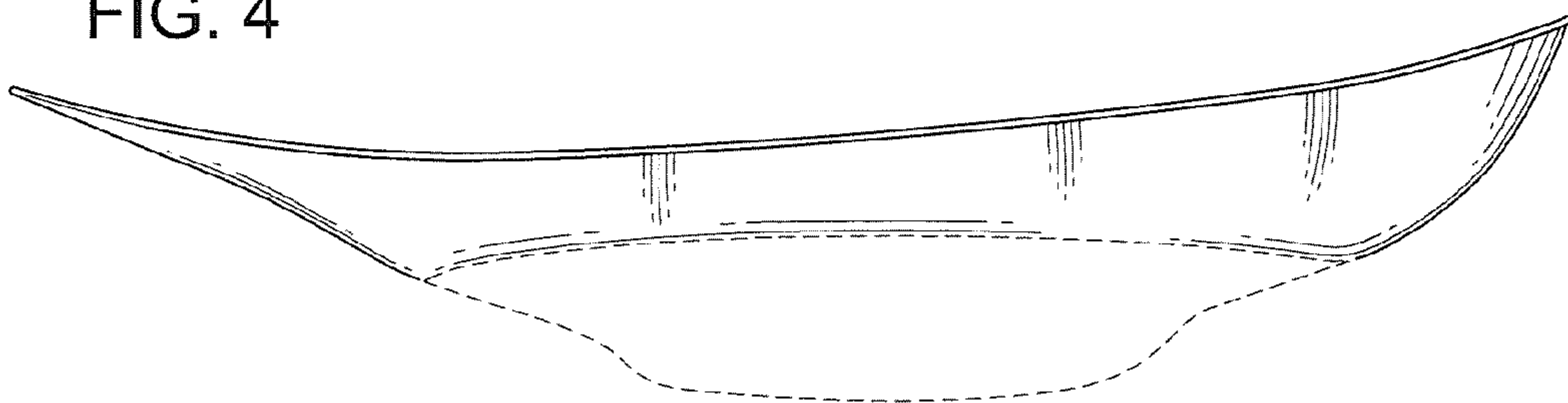


FIG. 5

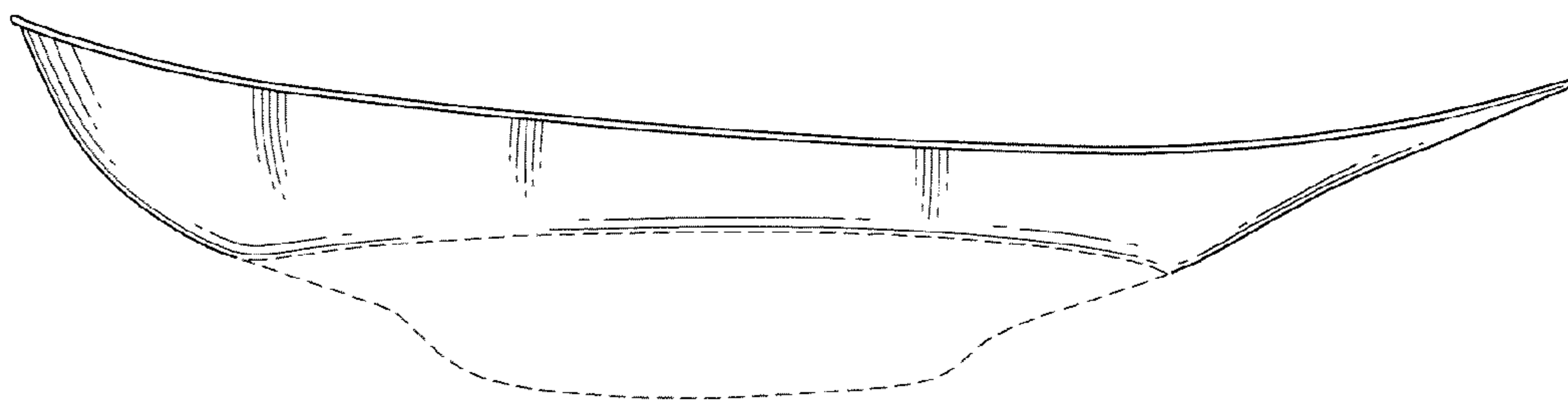


FIG. 6

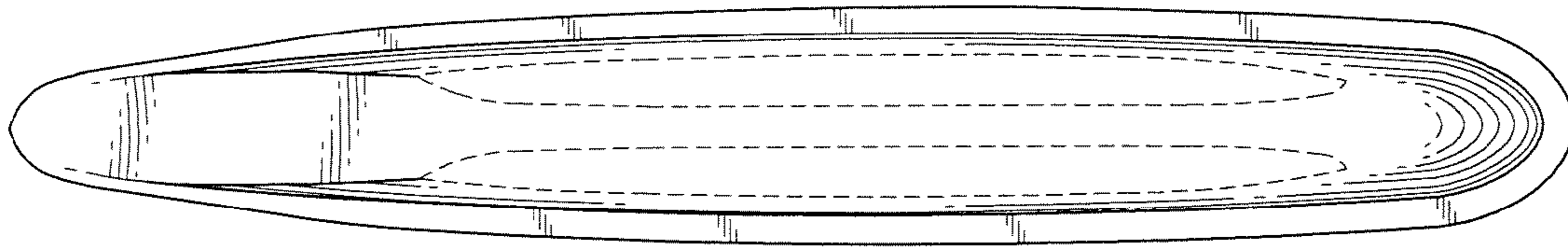


FIG. 7

