



US00D623287S

(12) **United States Design Patent**
Hoke et al.

(10) **Patent No.:** **US D623,287 S**
(45) **Date of Patent:** **** Sep. 7, 2010**

(54) **NASAL IRRIGATION DEVICE**

(75) Inventors: **Martin R. Hoke**, Lakewood, OH (US);
Jess Paul Carlson, Chagrin Falls, OH (US)

(73) Assignee: **RhinoSystems, Inc.**, Lakewood, OH (US)

(**) Term: **14 Years**

(21) Appl. No.: **29/337,178**

(22) Filed: **May 15, 2009**

Related U.S. Application Data

(63) Continuation-in-part of application No. 12/042,906, filed on Mar. 5, 2008.

(51) **LOC (9) Cl.** **24-01**

(52) **U.S. Cl.** **D24/108**

(58) **Field of Classification Search** D24/108,
D24/107, 110, 111, 121, 133; 128/200.18,
128/200.21, 203.12, 200.14, 200.23, 200.24,
128/201.28, 203.22; 604/19, 93.01, 94.01,
604/217, 275, 317, 319, 35
See application file for complete search history.

(56) **References Cited**

U.S. PATENT DOCUMENTS

867,827 A * 10/1907 Stevens 128/200.12
1,105,934 A * 8/1914 McCulloch 128/203.22
2,084,299 A * 6/1937 Borden 128/203.22
5,301,662 A * 4/1994 Bagwell et al. 128/200.14

D433,125 S * 10/2000 Bono D24/110
6,435,179 B1 * 8/2002 Kolbel 128/203.12
D481,794 S * 11/2003 Krinsky D24/108
D530,815 S * 10/2006 Murphy et al. D24/110
2005/0028812 A1 * 2/2005 Djupesland 128/200.21
2007/0169774 A1 * 7/2007 Johnson et al. 128/200.14
2008/0221507 A1 * 9/2008 Hoke et al. 604/35

* cited by examiner

Primary Examiner—Ian Simmons

Assistant Examiner—Wan Laymon

(74) *Attorney, Agent, or Firm*—Fay Sharpe LLP

(57) **CLAIM**

The ornamental design for a nasal irrigation device, as shown and described.

DESCRIPTION

FIG. 1 is a perspective view of a nasal irrigation device showing our new design;

FIG. 2 is a left side elevational view thereof;

FIG. 3 is a right side elevational view thereof;

FIG. 4 is a front perspective view thereof;

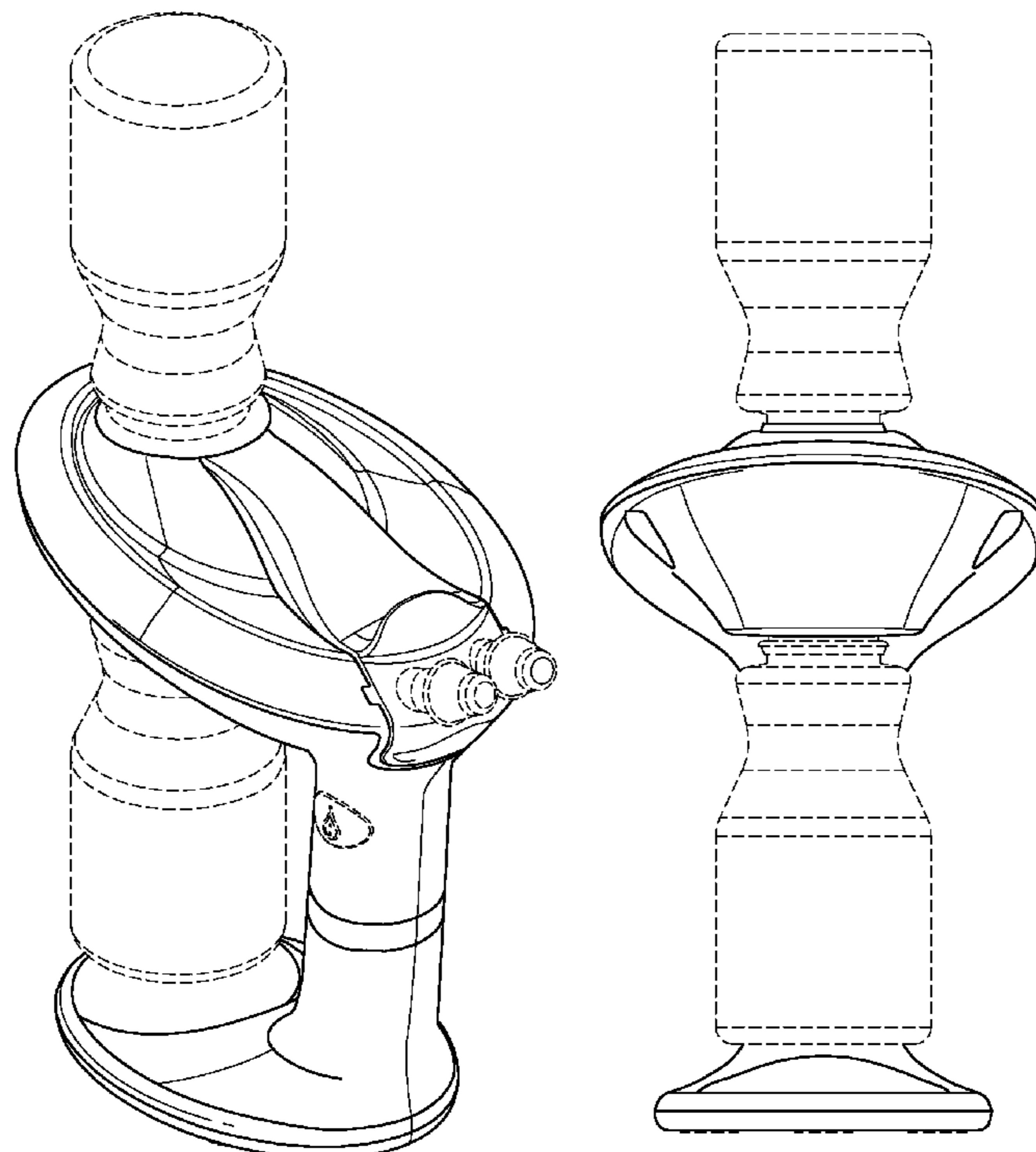
FIG. 5 is a rear perspective view thereof;

FIG. 6 is a top plan view thereof; and,

FIG. 7 bottom plan view thereof.

The broken line showing portion of nasal irrigation device is included for illustrating environmental structure and forms no part of the claimed design.

1 Claim, 5 Drawing Sheets



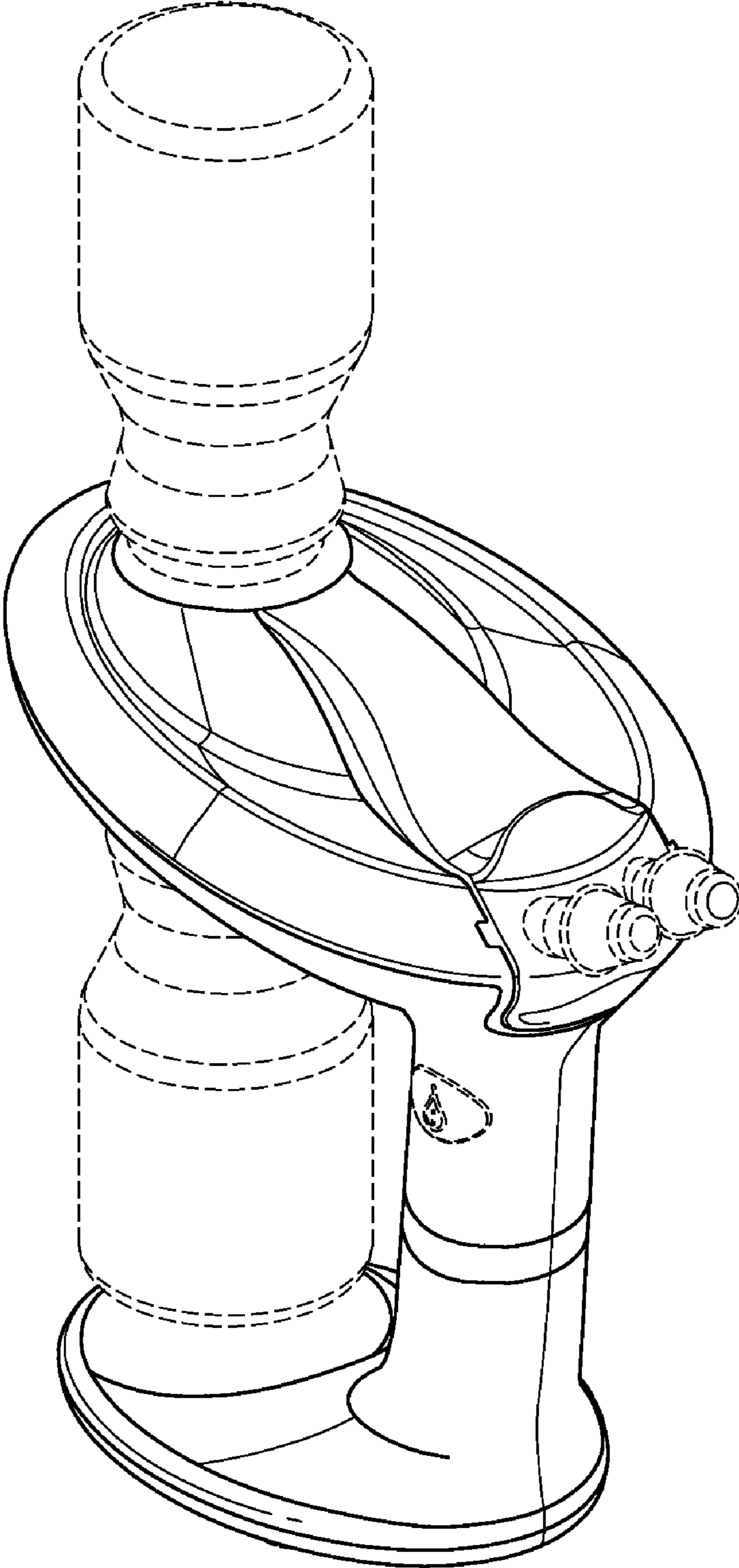


FIG. 1

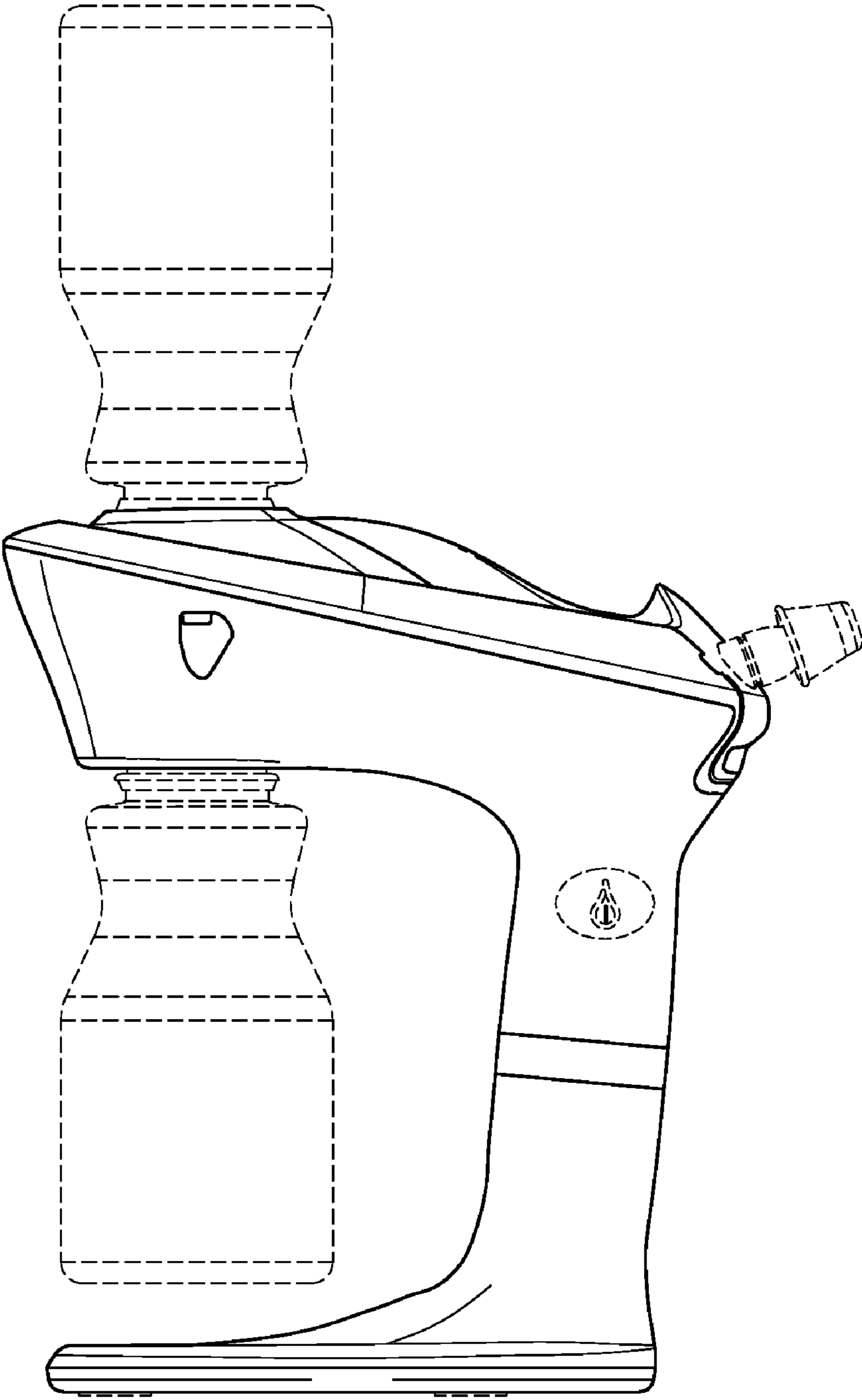


FIG. 2

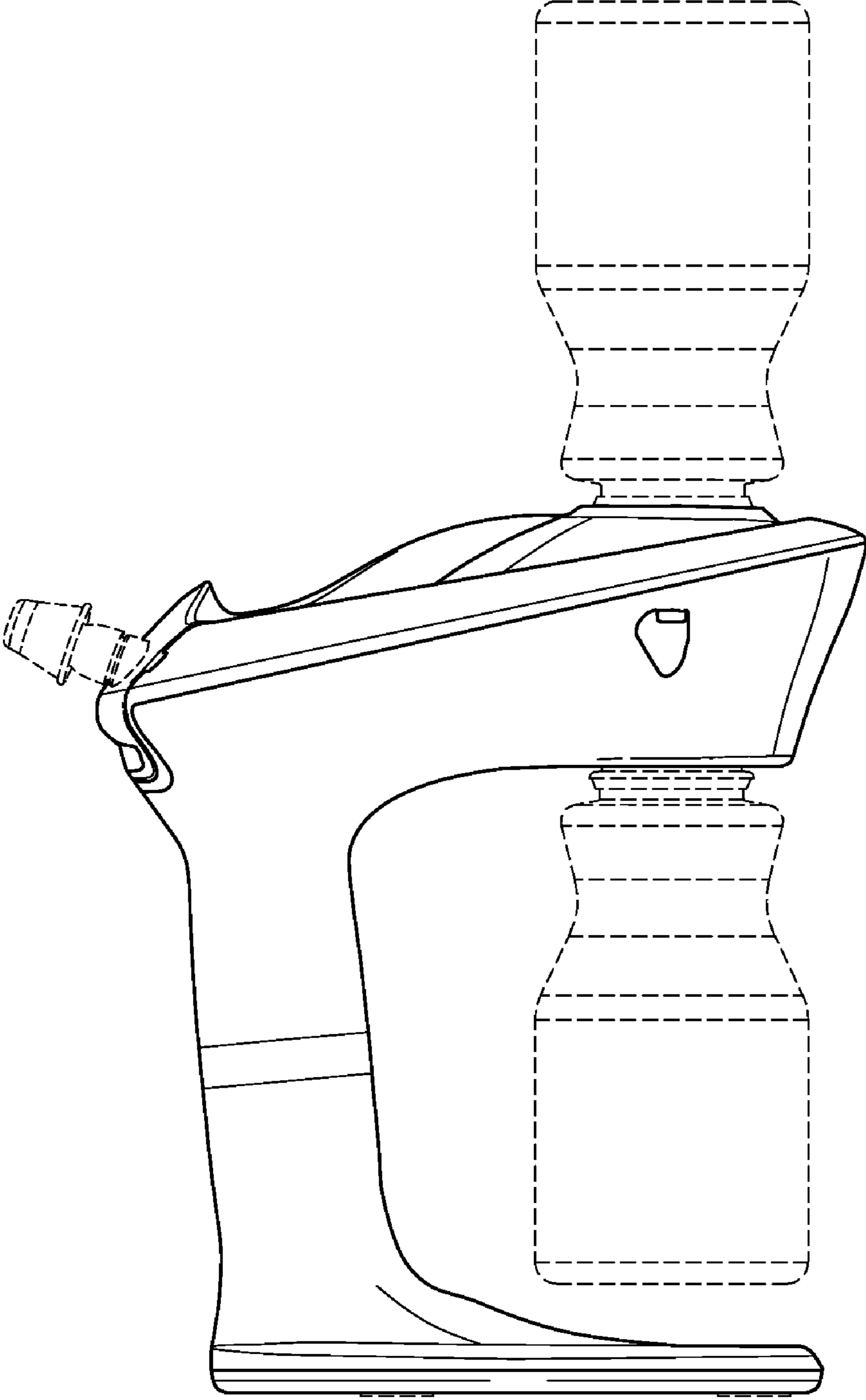


FIG. 3

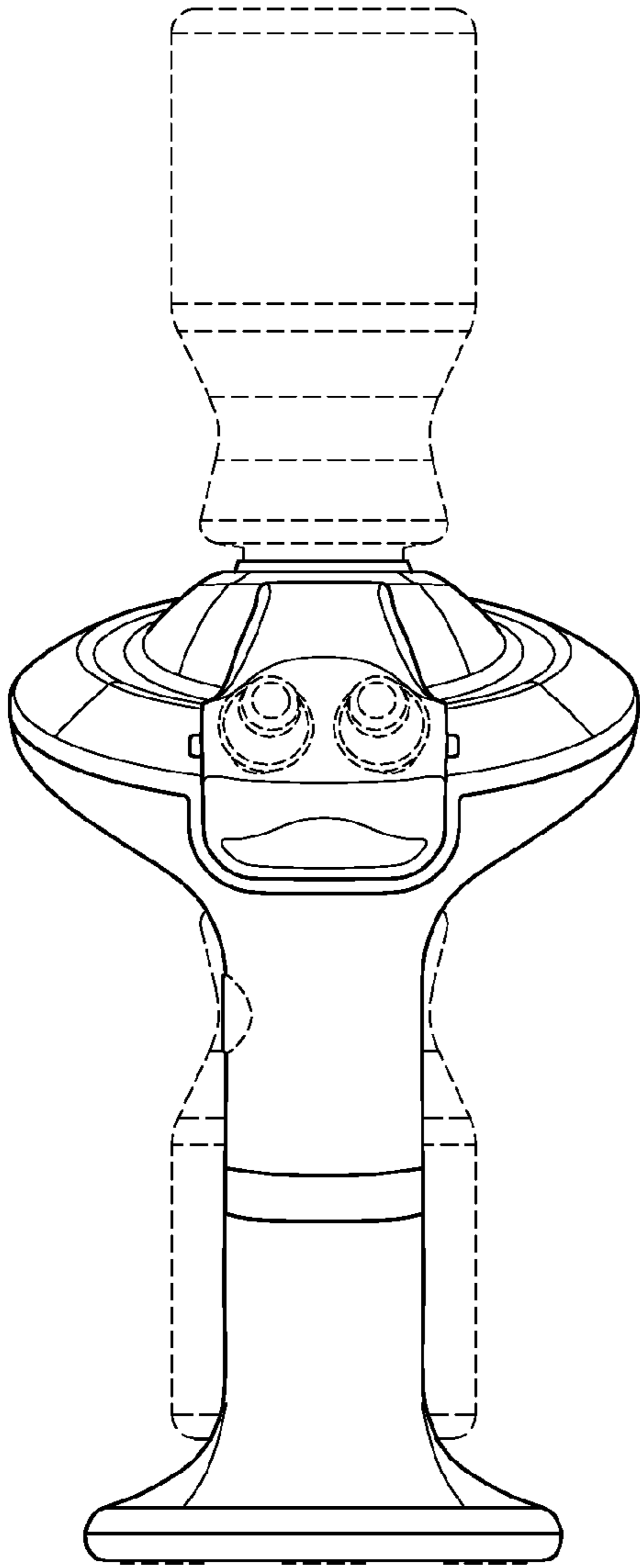


FIG. 4

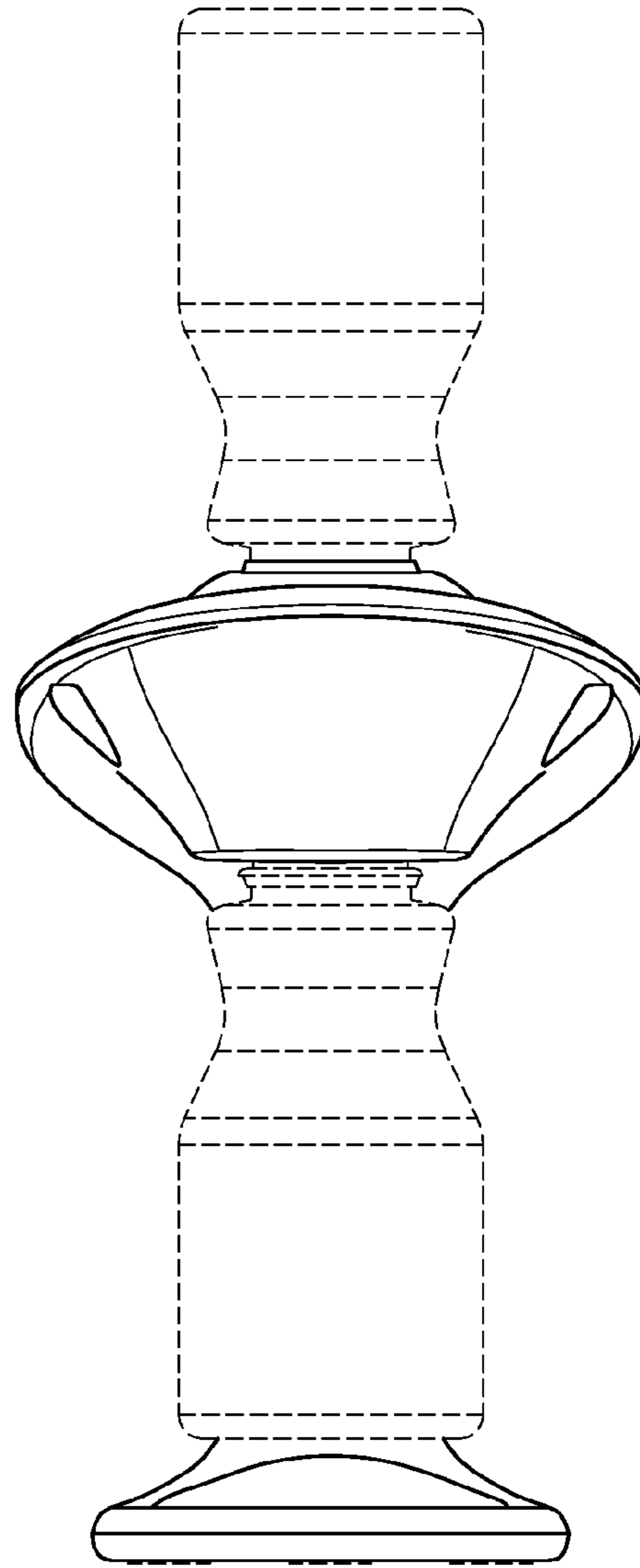


FIG. 5

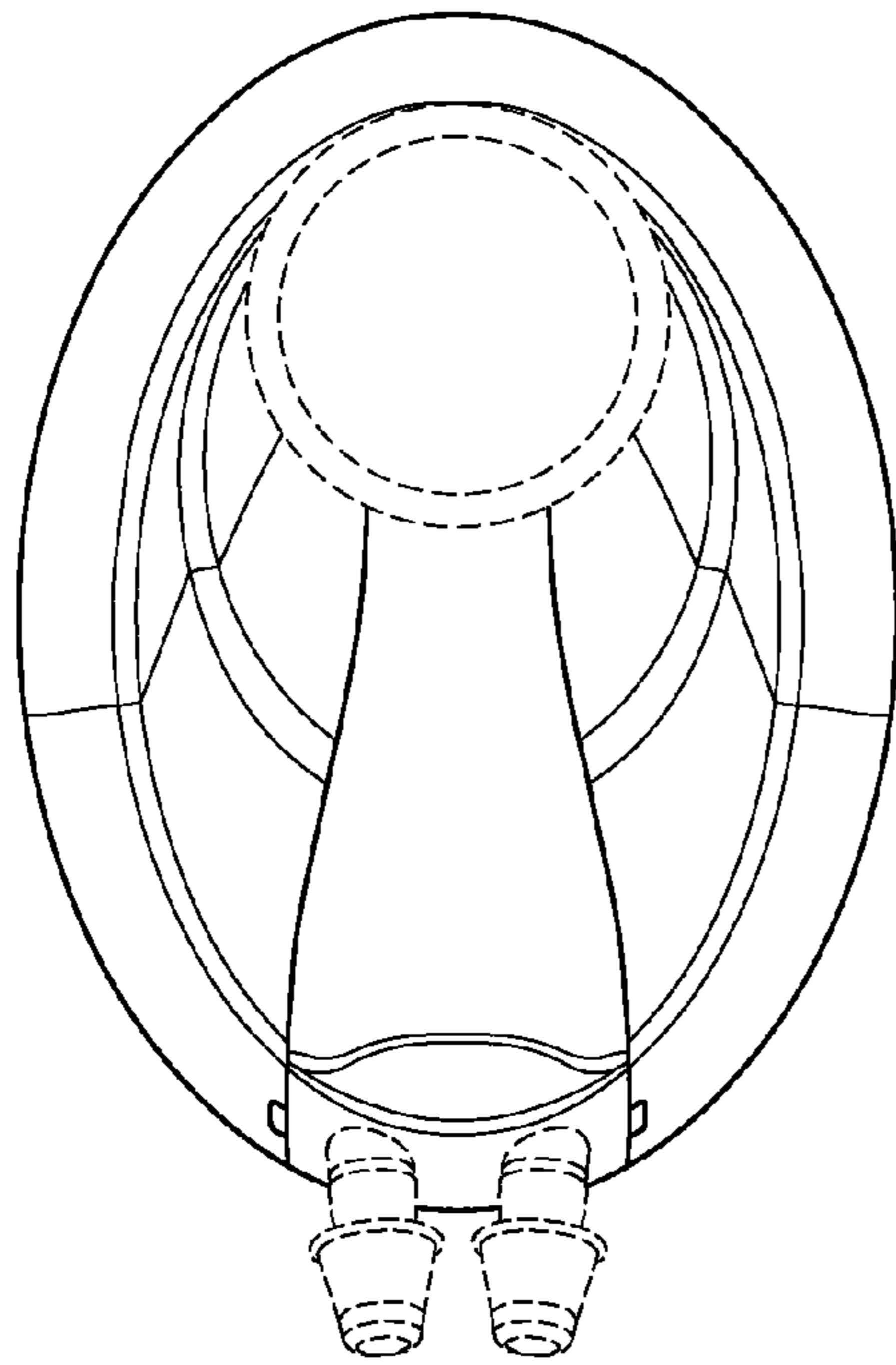


FIG. 6

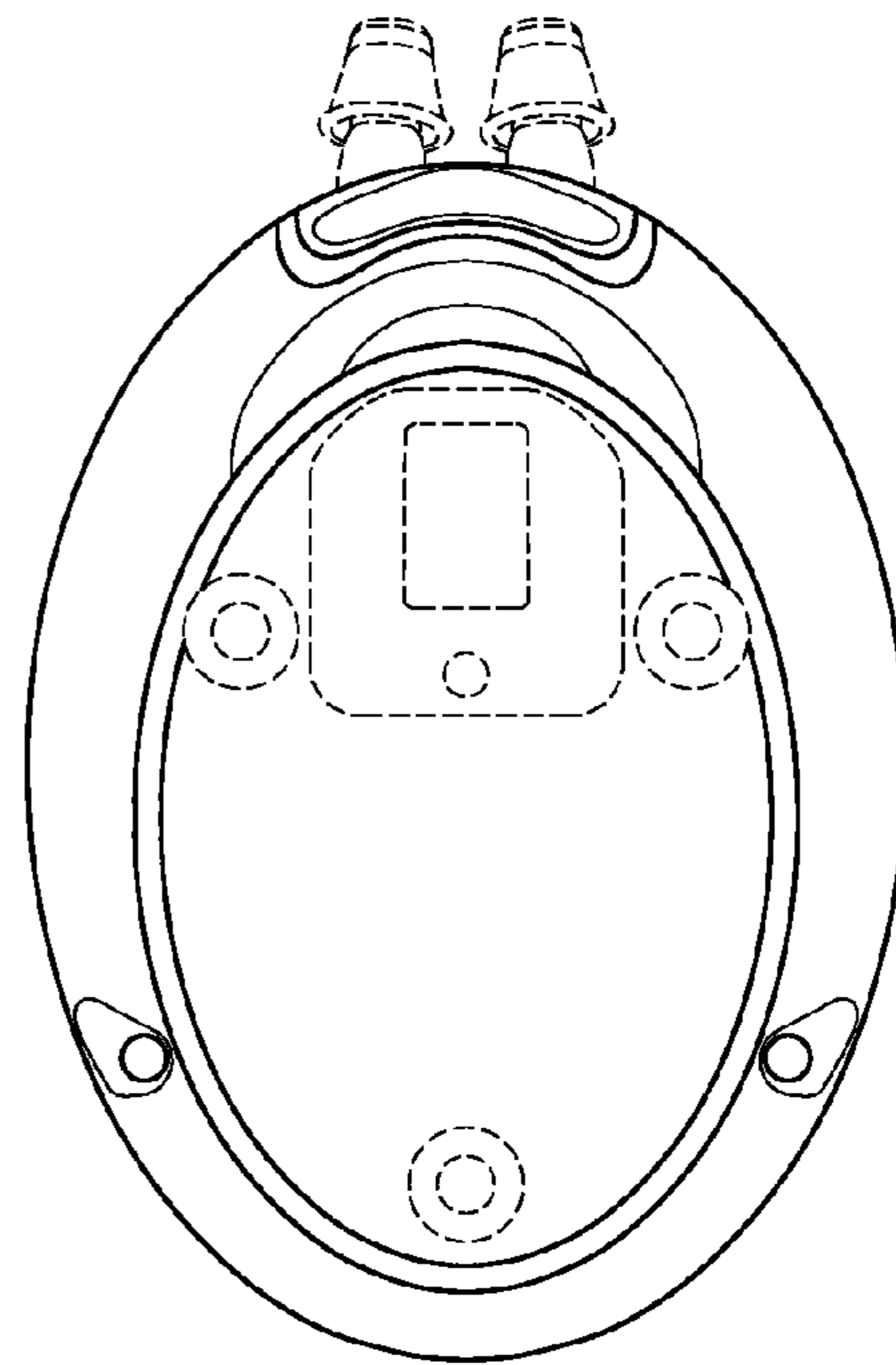


FIG. 7