



US00D623286S

(12) **United States Design Patent**
Falco

(10) **Patent No.:** **US D623,286 S**
(45) **Date of Patent:** **** *Sep. 7, 2010**

(54) **EARPLUG STEM**

(75) Inventor: **Robert Nicolo Falco**, Indianapolis, IN
(US)

(73) Assignee: **3M Innovative Properties Company**,
St. Paul, MN (US)

(**) Term: **14 Years**

(21) Appl. No.: **29/353,990**

(22) Filed: **Jan. 18, 2010**

Related U.S. Application Data

(63) Continuation of application No. 29/337,618, filed on
May 27, 2009.

(51) **LOC (9) Cl.** **24-02**

(52) **U.S. Cl.** **D24/106**

(58) **Field of Classification Search** D24/106;
181/130, 135, 128-129; 128/864-865
See application file for complete search history.

(56) **References Cited**

U.S. PATENT DOCUMENTS

- D269,252 S * 6/1983 Balistreri D9/435
- D274,754 S * 7/1984 Chernack D24/129
- D327,647 S * 7/1992 Lemme D9/434
- D354,656 S * 1/1995 Strawbridge D7/398
- D369,655 S 5/1996 Esler et al.

- D375,551 S 11/1996 Esler et al.
- D413,379 S * 8/1999 Leight D24/106
- D466,995 S 12/2002 Knauer et al.
- D478,658 S * 8/2003 Falco D24/106
- D521,637 S 5/2006 Yang
- D577,812 S * 9/2008 Zwart D24/106
- D595,268 S 6/2009 Kolton

* cited by examiner

Primary Examiner—Elizabeth A Albert

Assistant Examiner—Kelly A Donnelly

(74) *Attorney, Agent, or Firm*—Karl G. Hanson

(57) **CLAIM**

I claim, the ornamental design for an earplug stem, as shown
and described.

DESCRIPTION

FIG. 1 is a perspective view of an earplug stem, showing my
new design,

FIG. 2 is a first side elevation view thereof, the opposite side
being a mirror image thereof;

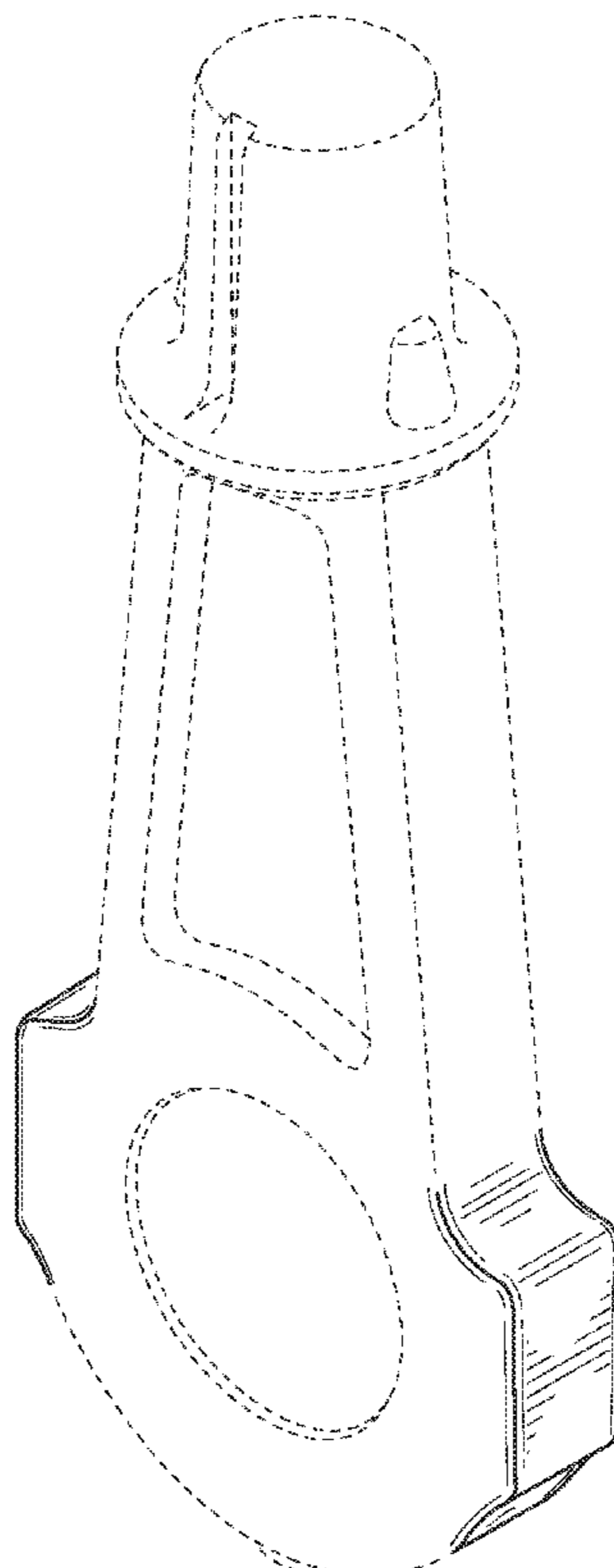
FIG. 3 is a second side elevation view thereof, the opposite
side being a mirror image thereof;

FIG. 4 is a top plan view thereof; and,

FIG. 5 is a bottom plan view thereof.

The broken lines illustrate environment only and form no part
of the claimed design.

1 Claim, 4 Drawing Sheets



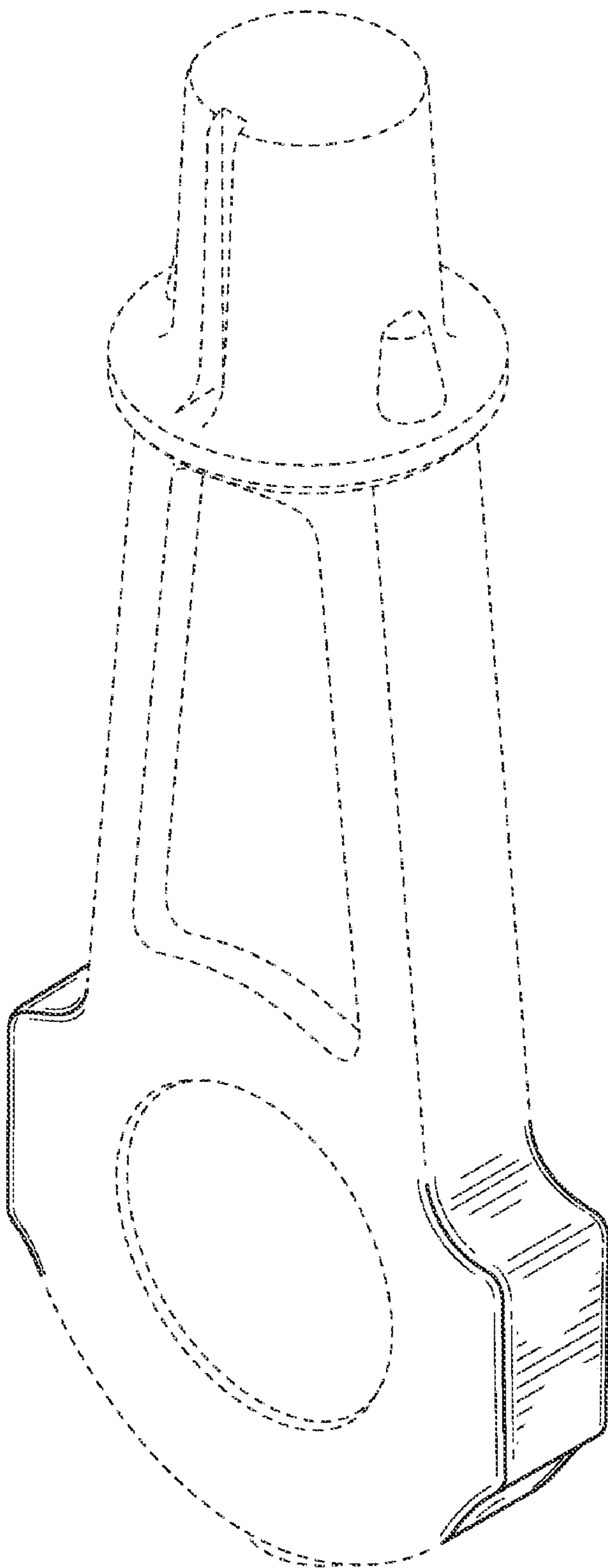


Fig. 1

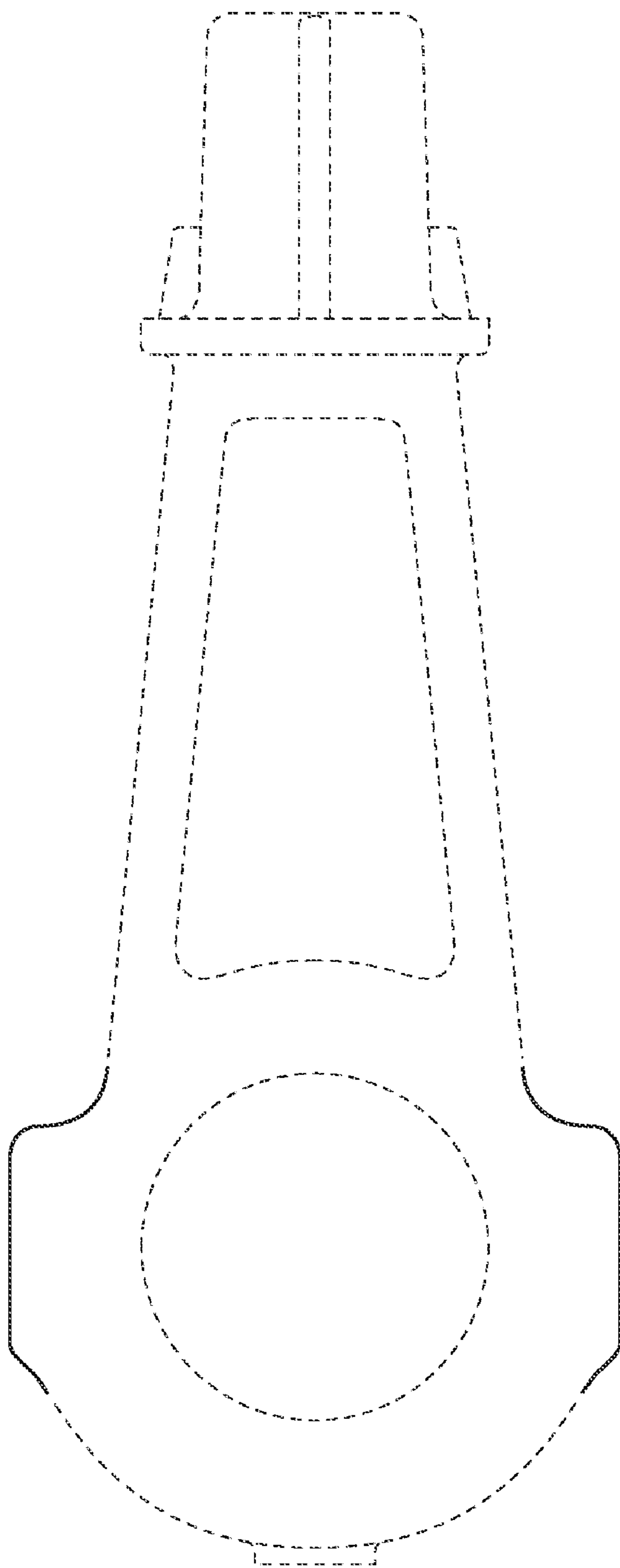


Fig. 2

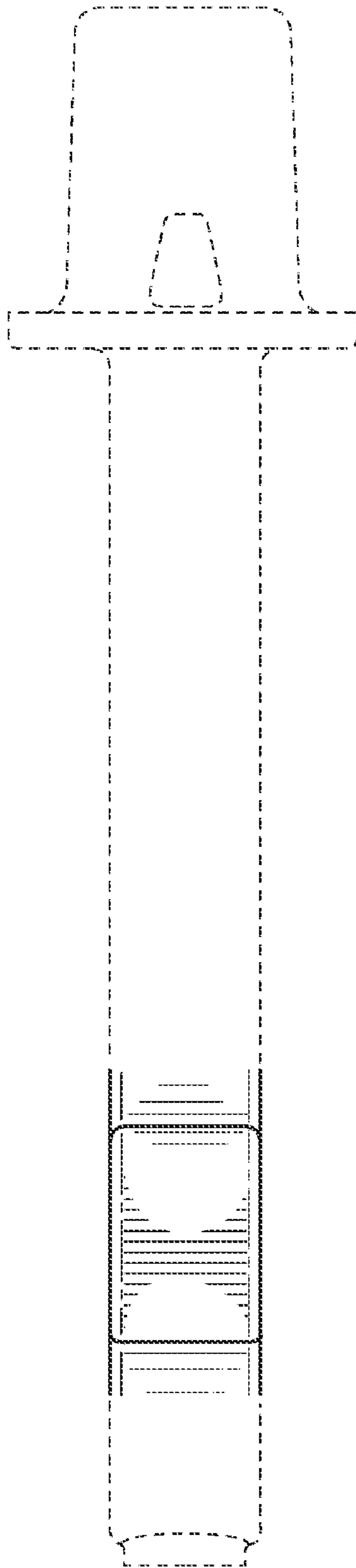


Fig. 3

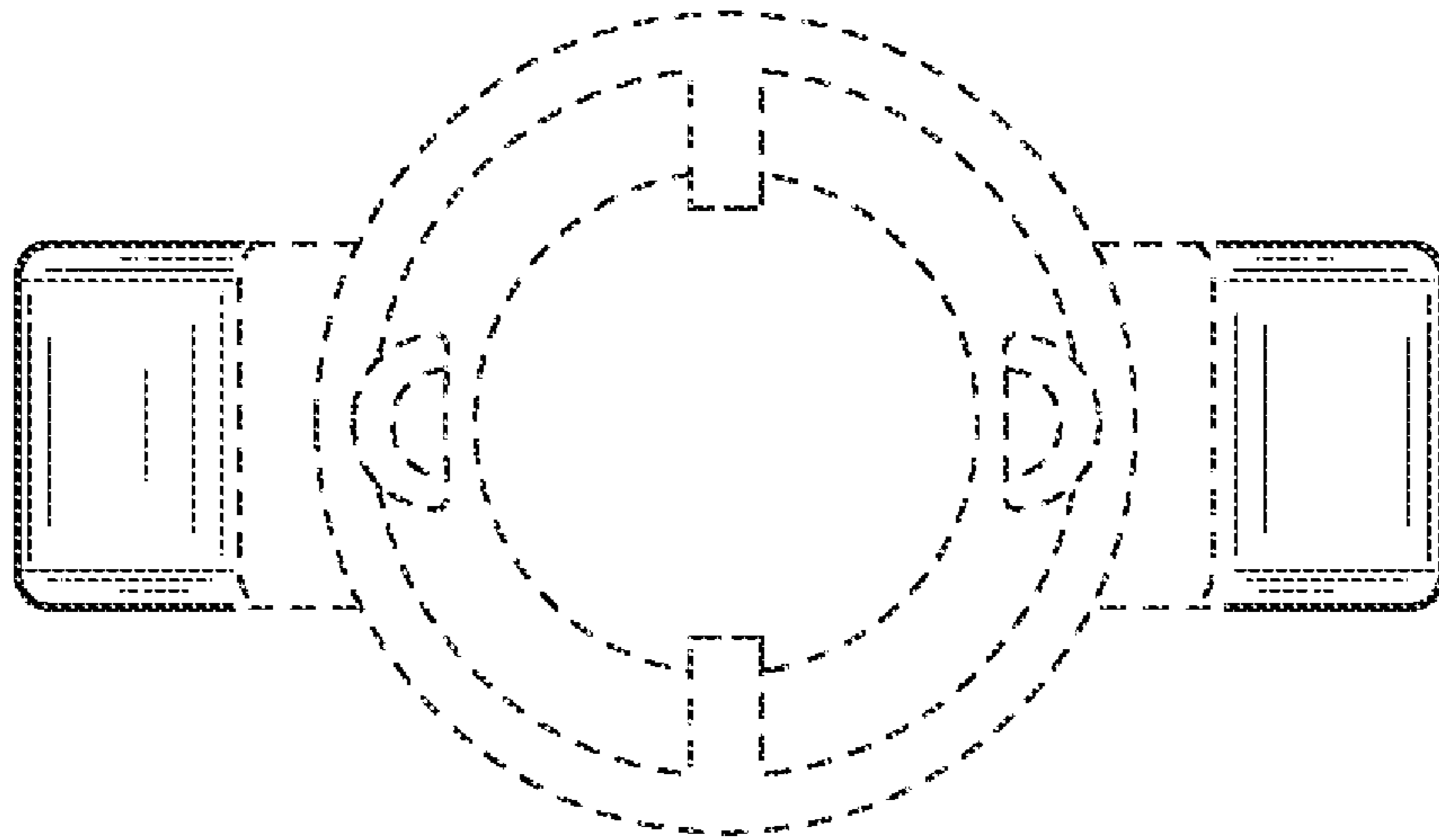


Fig. 4

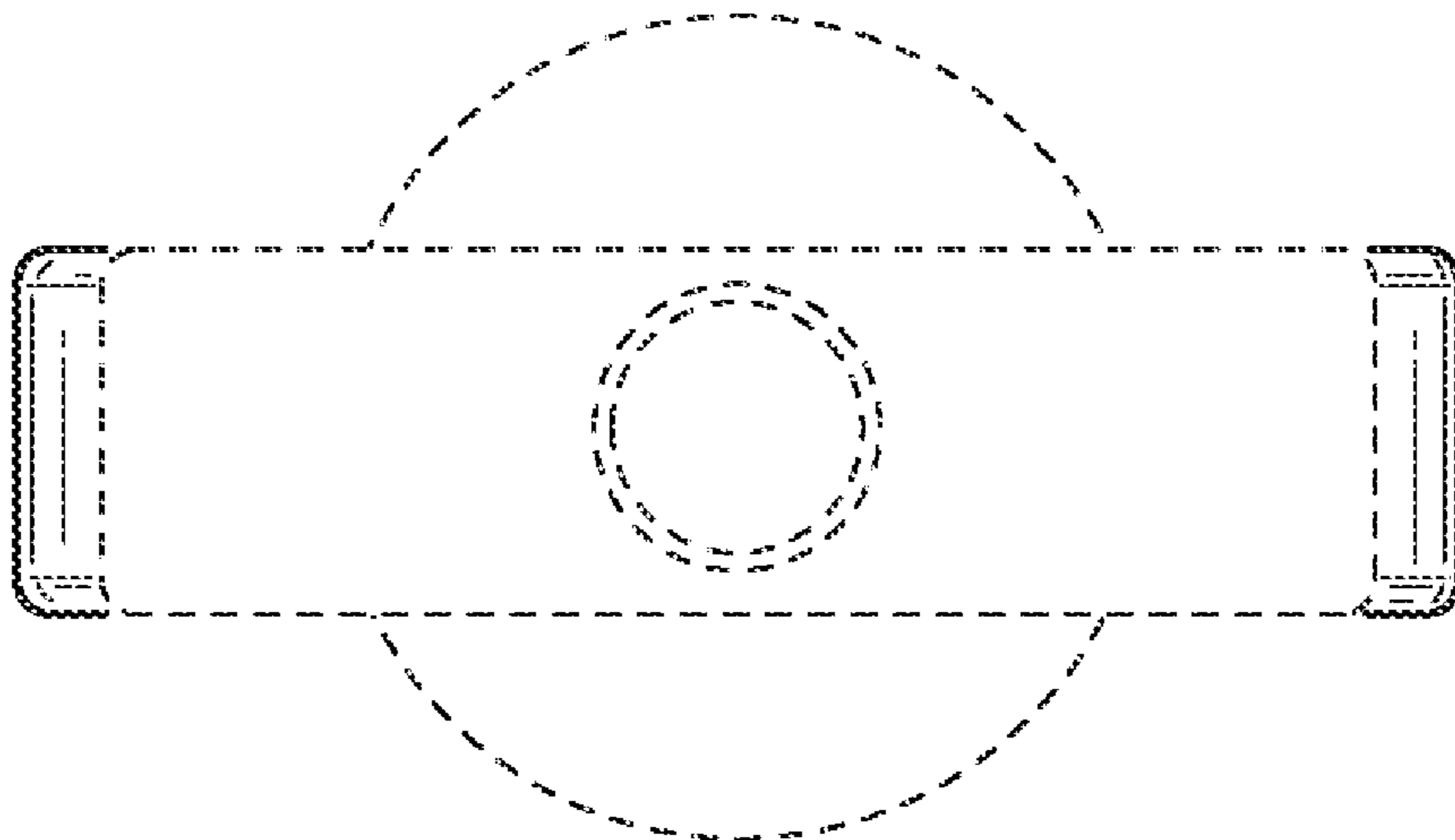


Fig. 5