



US00D623284S

(12) **United States Design Patent**
Myojin et al.

(10) **Patent No.:** **US D623,284 S**

(45) **Date of Patent:** **** Sep. 7, 2010**

(54) **CHEMICAL DIFFUSER**

(75) Inventors: **Hiroyasu Myojin**, Tokyo (JP); **Aya Mikami**, Tokyo (JP); **Ryusuke Baba**, Tokyo (JP)

(73) Assignee: **S.T. Corporation**, Tokyo (JP)

(**) Term: **14 Years**

(21) Appl. No.: **29/347,321**

(22) Filed: **Dec. 3, 2009**

(30) **Foreign Application Priority Data**

Jun. 4, 2009 (JP) 2009-012659

(51) **LOC (9) Cl.** **28-99**

(52) **U.S. Cl.** **D23/366**

(58) **Field of Classification Search** D23/355-369;
261/DIG. 17, DIG. 42, DIG. 65, DIG. 88,
261/DIG. 89; 239/34-36, 44-45, 53-54,
239/56-57, 60, 136, 152, 302, 326; 392/386,
392/390, 392, 394, 395; D28/5, 6; D32/29.1
See application file for complete search history.

(56) **References Cited**

U.S. PATENT DOCUMENTS

| | | | | |
|--------------|--------|------------------|-------|---------|
| D393,063 S * | 3/1998 | Wefler | | D23/366 |
| D437,636 S * | 2/2001 | Basaganas | | D23/366 |
| D461,549 S * | 8/2002 | Garcia | | D23/360 |
| D461,885 S * | 8/2002 | Jordi | | D23/366 |
| D462,755 S * | 9/2002 | Basaganas Millan | | D23/366 |
| D469,862 S * | 2/2003 | Cruver et al. | | D23/366 |
| D473,638 S * | 4/2003 | Cruver, IV | | D23/366 |
| D477,065 S * | 7/2003 | Loncak et al. | | D23/366 |
| D501,546 S * | 2/2005 | Cruver et al. | | D23/366 |
| D501,921 S * | 2/2005 | Caserta et al. | | D23/366 |

(Continued)

Primary Examiner—Sandra Snapp
(74) *Attorney, Agent, or Firm*—Jean C. Edwards, Esq.; Akerman Senterfitt

(57) **CLAIM**

The ornamental design for a chemical diffuser, as shown and described.

DESCRIPTION

FIG. 1 is a perspective view of a chemical diffuser showing our new design, the chemical diffuser being comprised of a casing and a container;

FIG. 2 is a front view thereof;

FIG. 3 is a rear view thereof;

FIG. 4 is a left side view thereof;

FIG. 5 is a right side view thereof;

FIG. 6 is a top plan view thereof;

FIG. 7 is a bottom plan view thereof;

FIG. 8 is a front view of the casing of the chemical diffuser, the container removed from the chemical diffuser for ease of illustration;

FIG. 9 is a bottom plan view thereof;

FIG. 10 is a right side view thereof, the left side being a mirror image thereof;

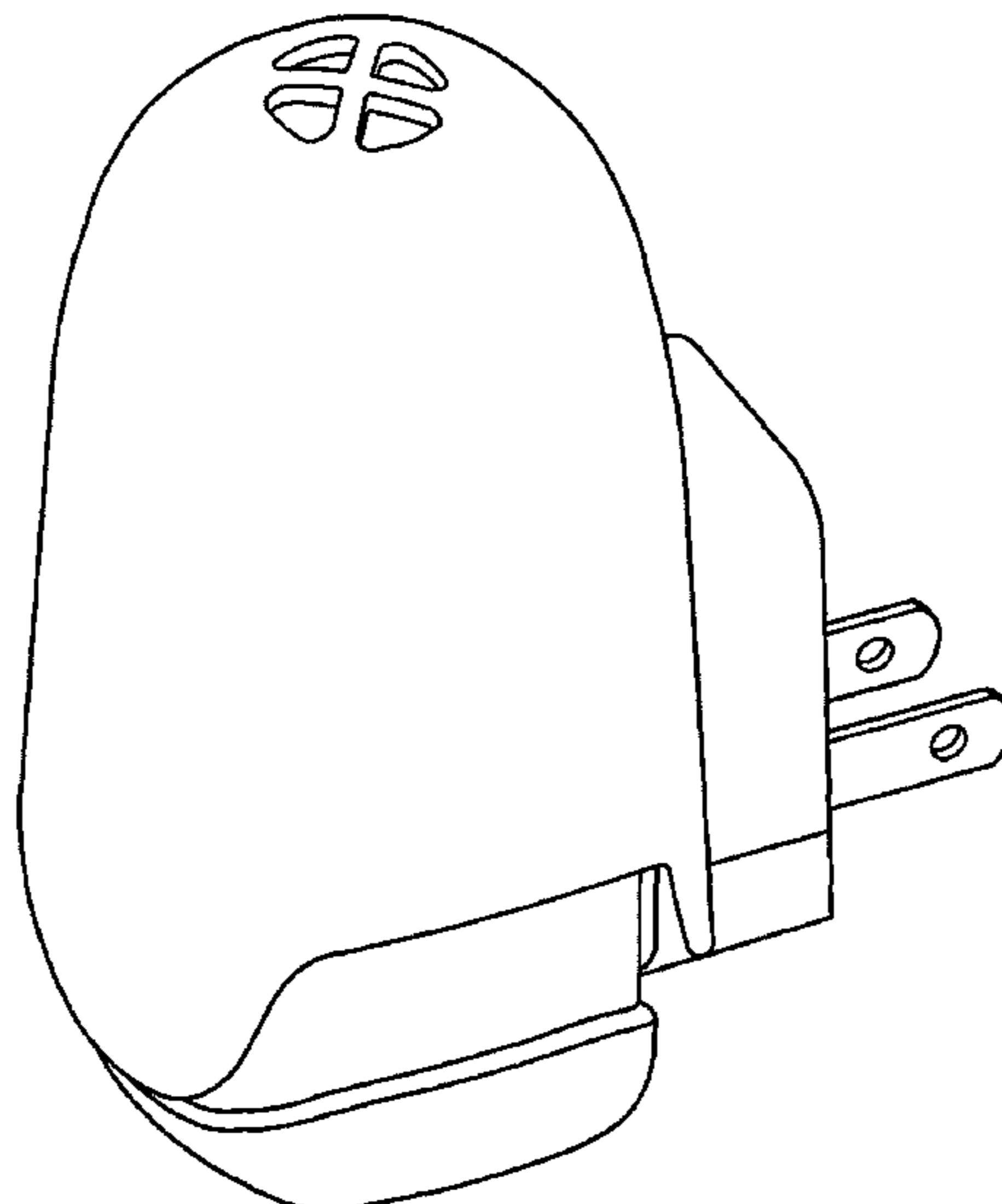
FIG. 11 is a front view of the container of the chemical diffuser, the casing removed from the chemical diffuser for ease of illustration;

FIG. 12 is a right side view thereof, the left side view being a mirror image thereof; and,

FIG. 13 is a top plan view thereof.

The broken lines shown in the drawings are for illustrative purposes only and form no part of the claimed design.

1 Claim, 13 Drawing Sheets



US D623,284 S

Page 2

U.S. PATENT DOCUMENTS

| | | | | | | | |
|--------------|---------|---------------------|---------|--------------|---------|---------------------|---------|
| D502,540 S * | 3/2005 | Cruver et al. | D23/366 | D520,128 S * | 5/2006 | Caserta et al. | D23/366 |
| D508,558 S * | 8/2005 | Wolpert et al. | D23/366 | D523,129 S * | 6/2006 | Caserta et al. | D23/366 |
| D510,423 S * | 10/2005 | Caserta et al. | D23/366 | D534,265 S * | 12/2006 | Weggelaar | D23/366 |
| D511,823 S * | 11/2005 | Caserta et al. | D23/366 | D551,750 S * | 9/2007 | Wefler | D23/366 |
| D512,136 S * | 11/2005 | Wefler | D23/366 | D561,883 S * | 2/2008 | Cantoni et al. | D23/366 |
| D512,769 S * | 12/2005 | Wefler | D23/366 | D567,920 S * | 4/2008 | Cantoni et al. | D23/366 |
| D516,691 S * | 3/2006 | Caserta et al. | D23/366 | D574,941 S * | 8/2008 | Weggelaar | D23/366 |
| D516,692 S * | 3/2006 | Caserta et al. | D23/366 | D605,277 S * | 12/2009 | Rossi | D23/366 |

* cited by examiner

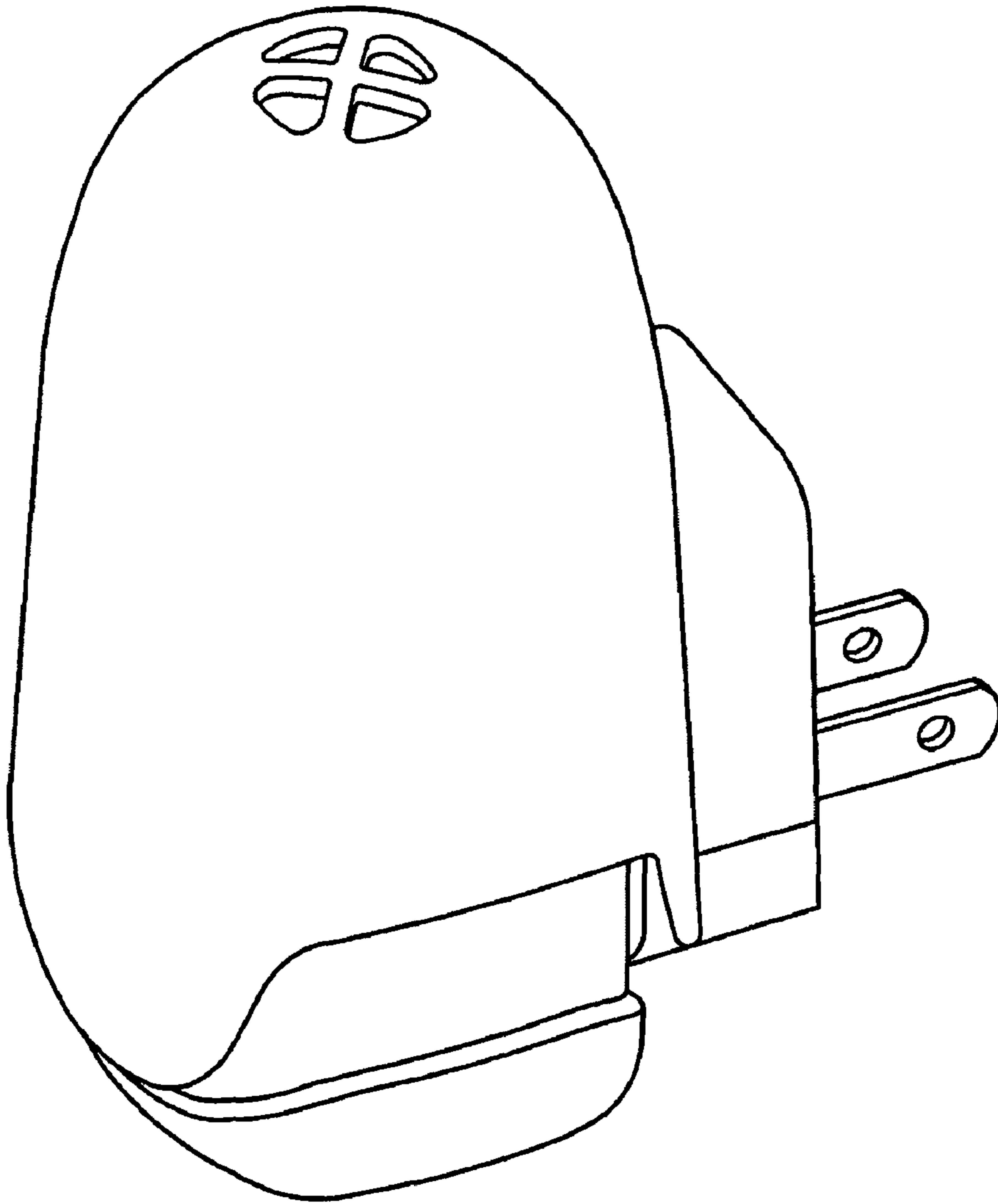


FIG. 1

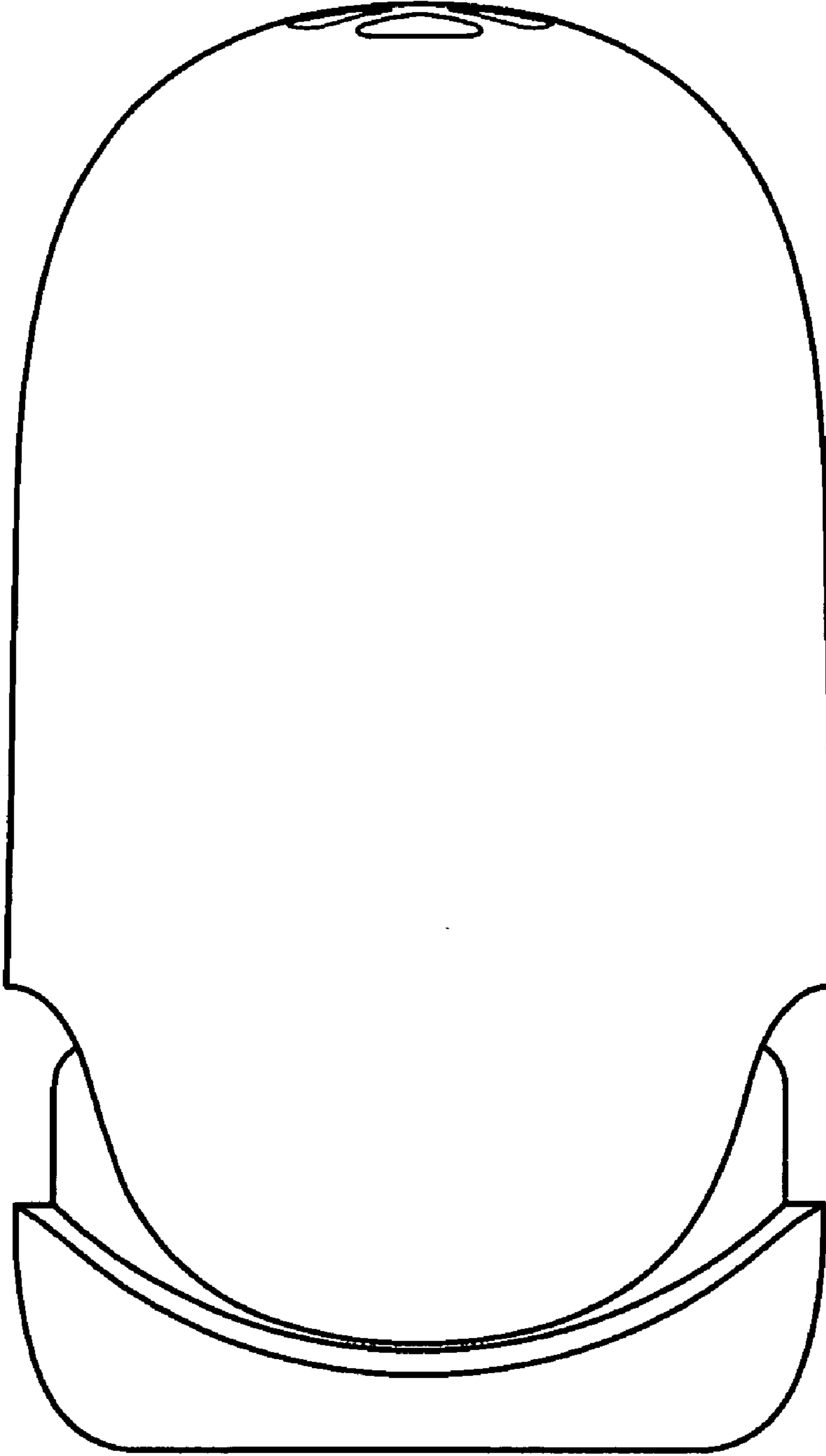


FIG. 2

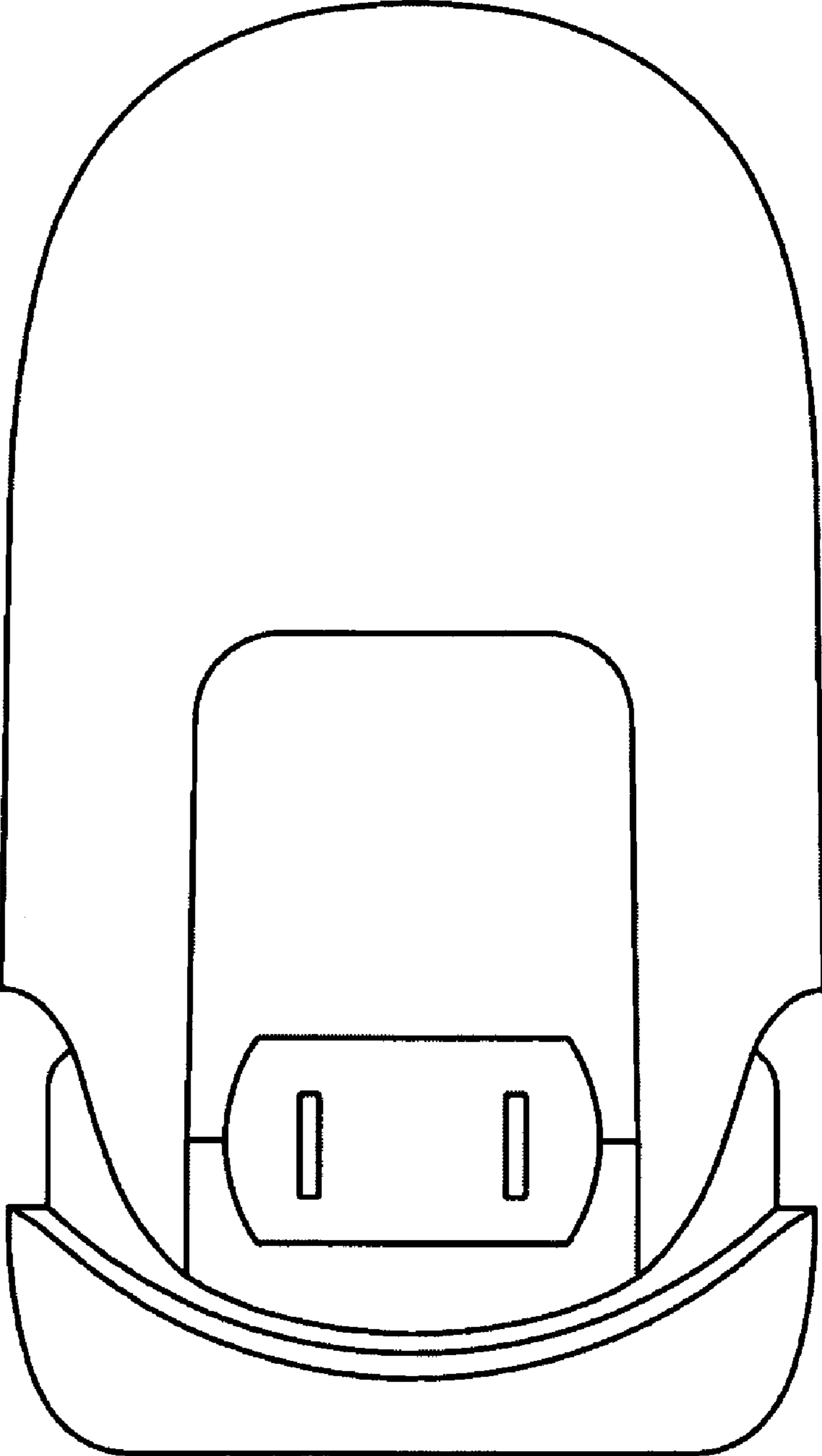


FIG. 3

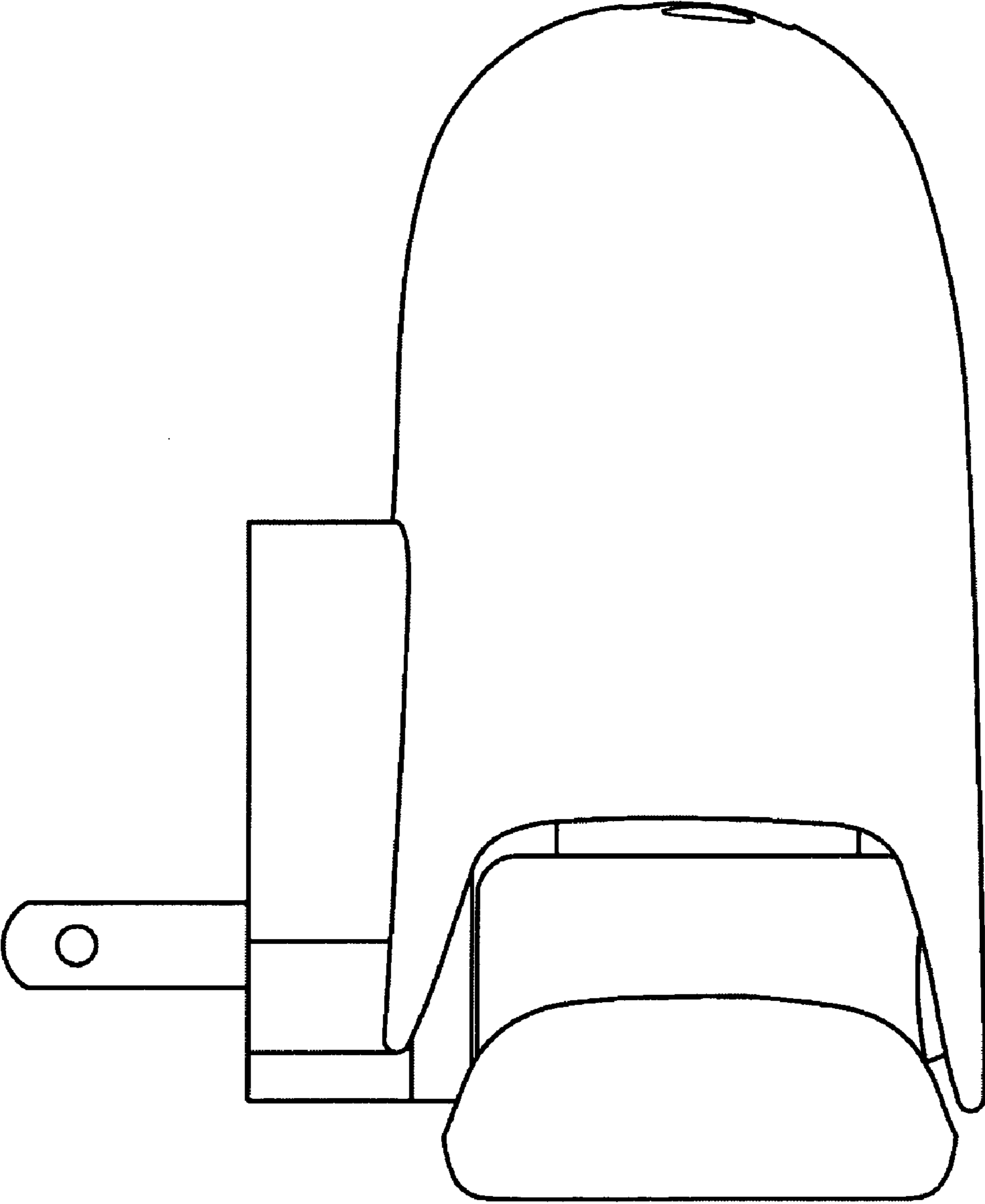


FIG. 4

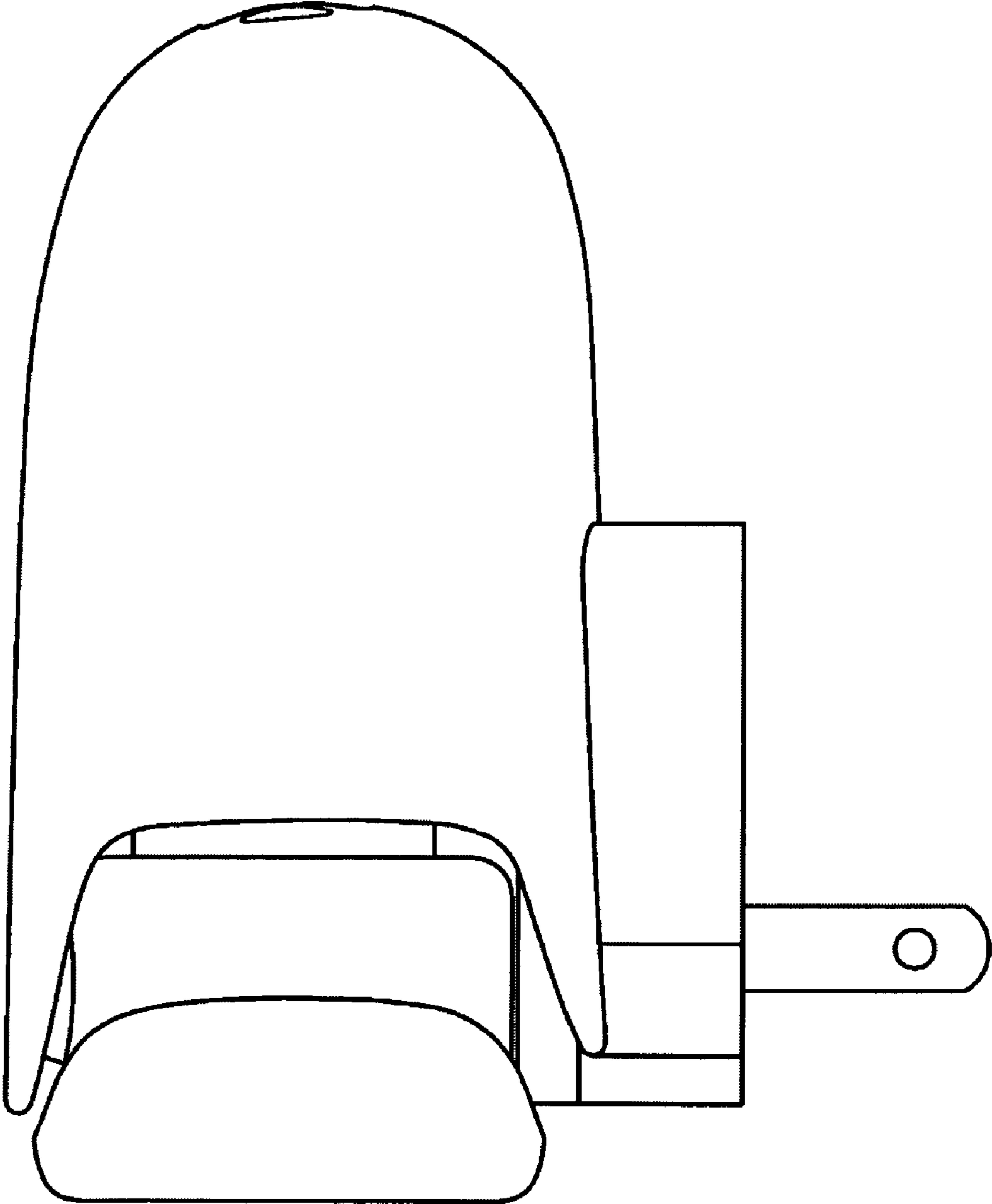


FIG. 5

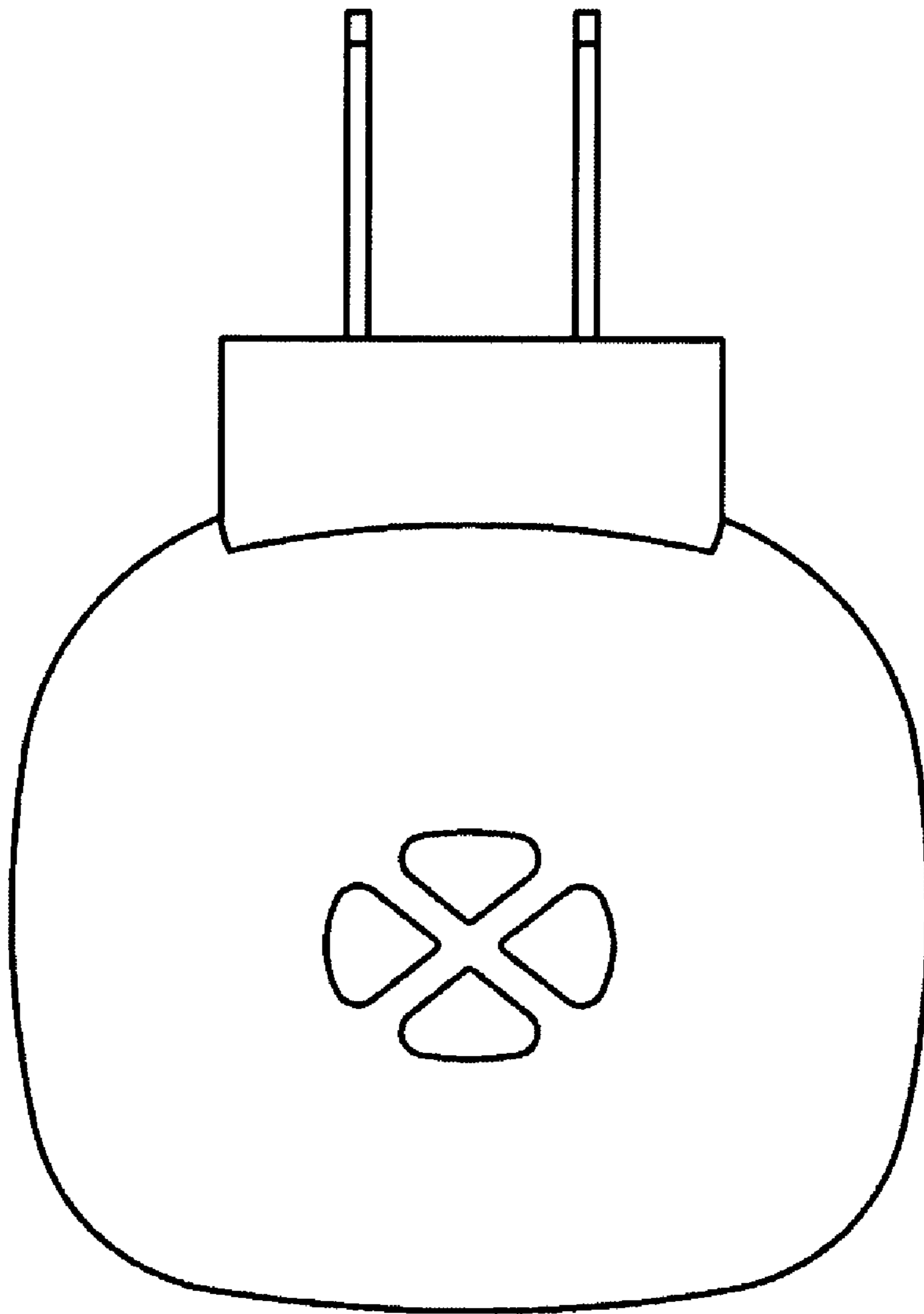


FIG. 6

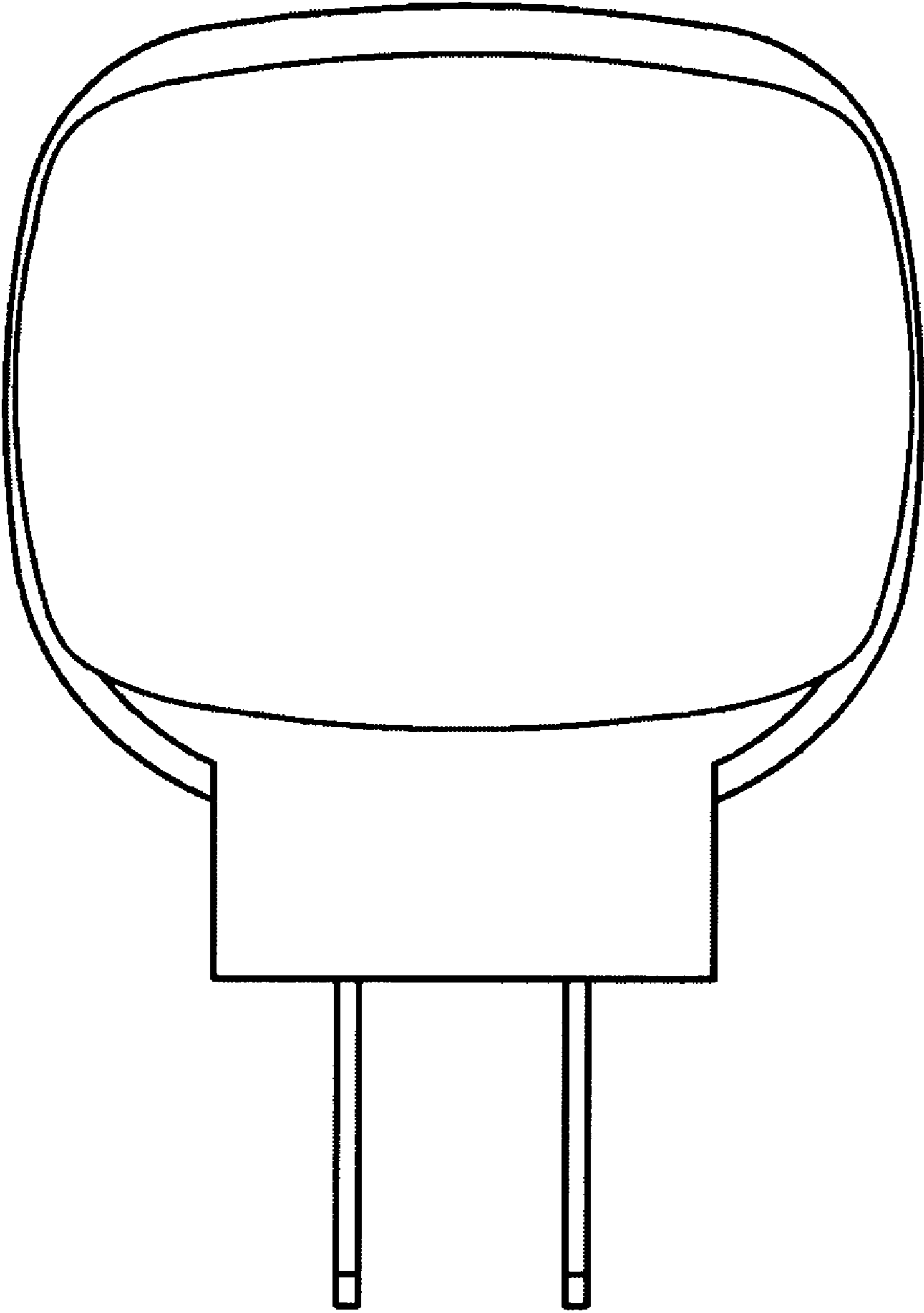


FIG. 7

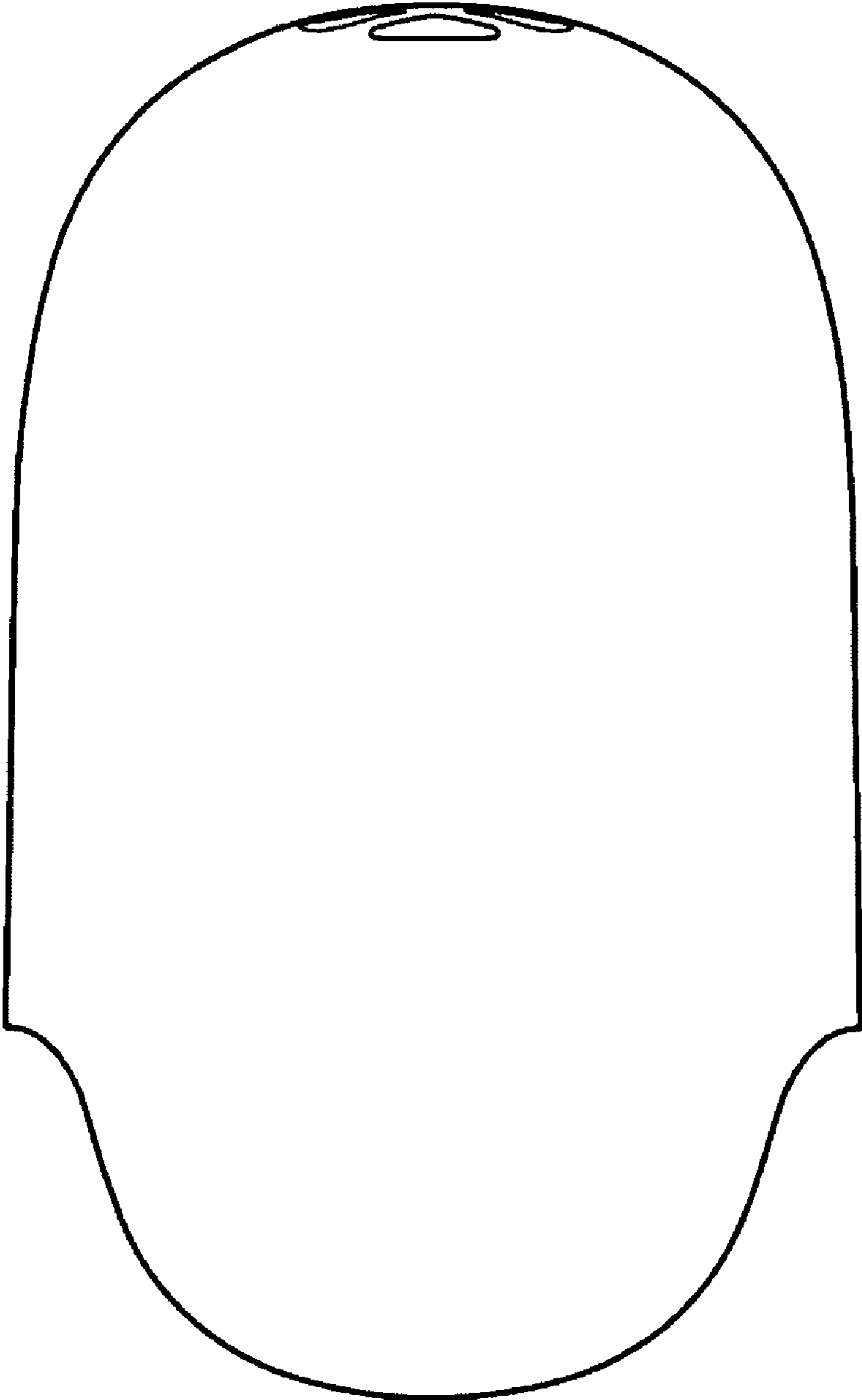


FIG. 8

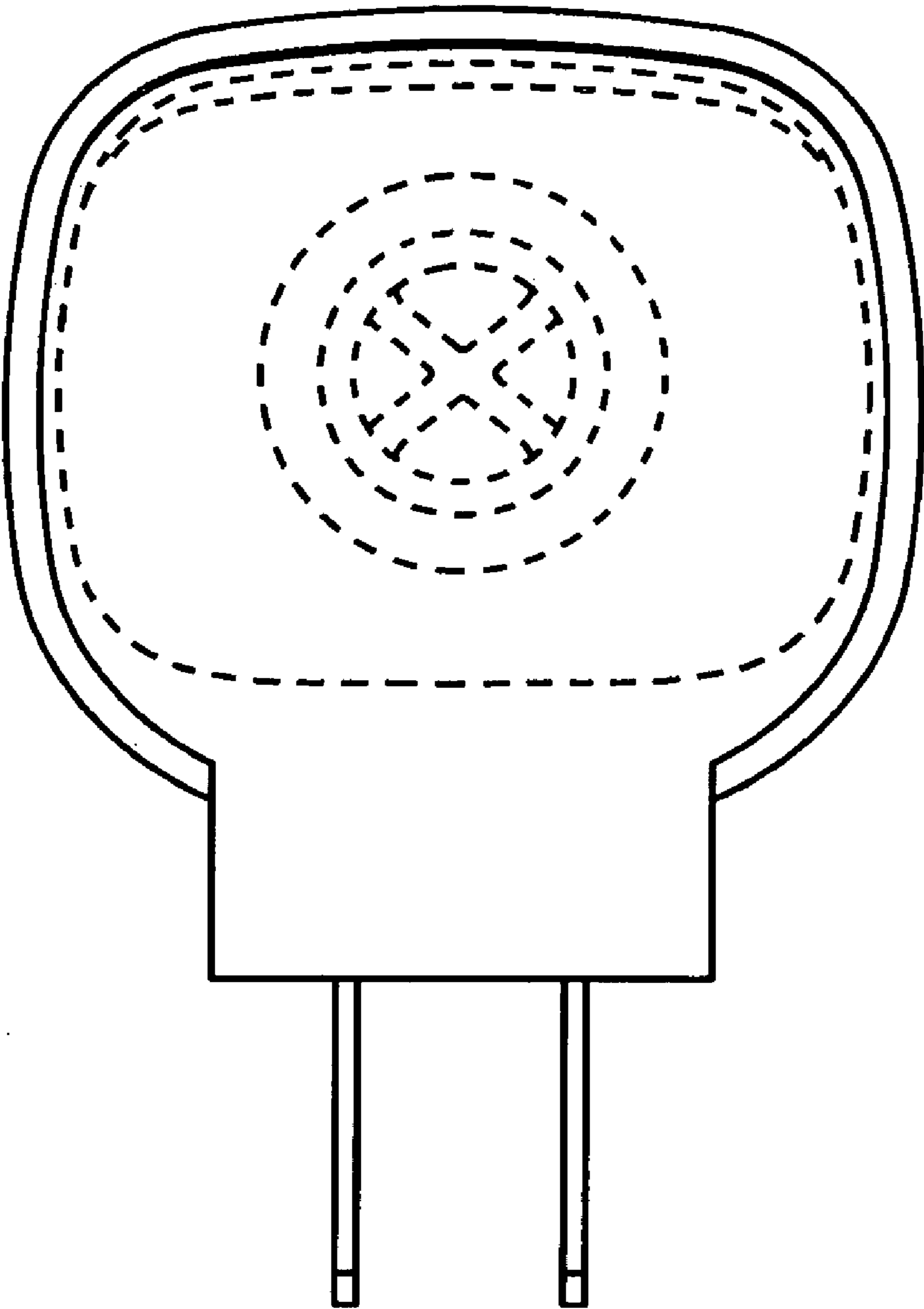


FIG. 9

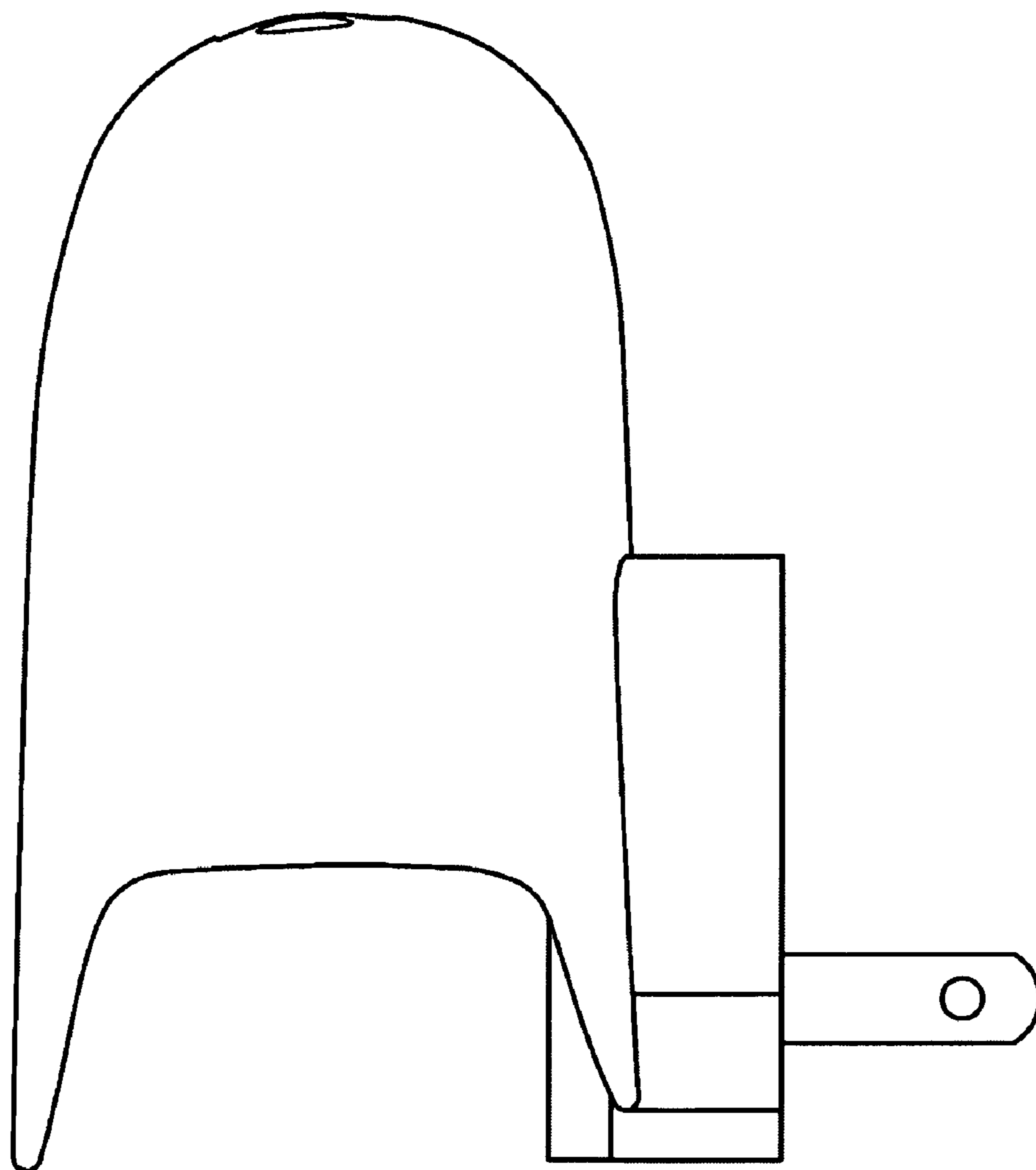


FIG. 10

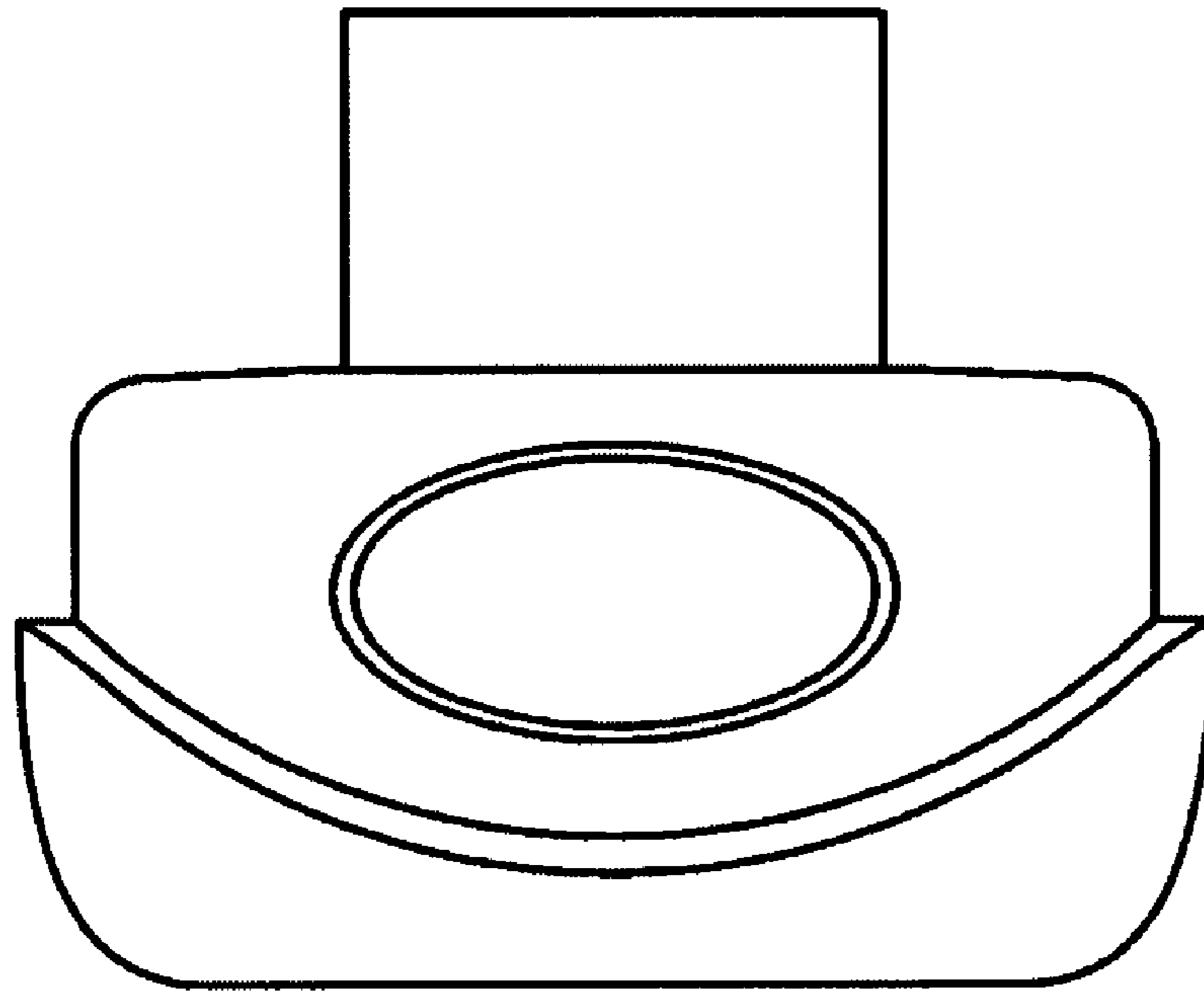


FIG. 11

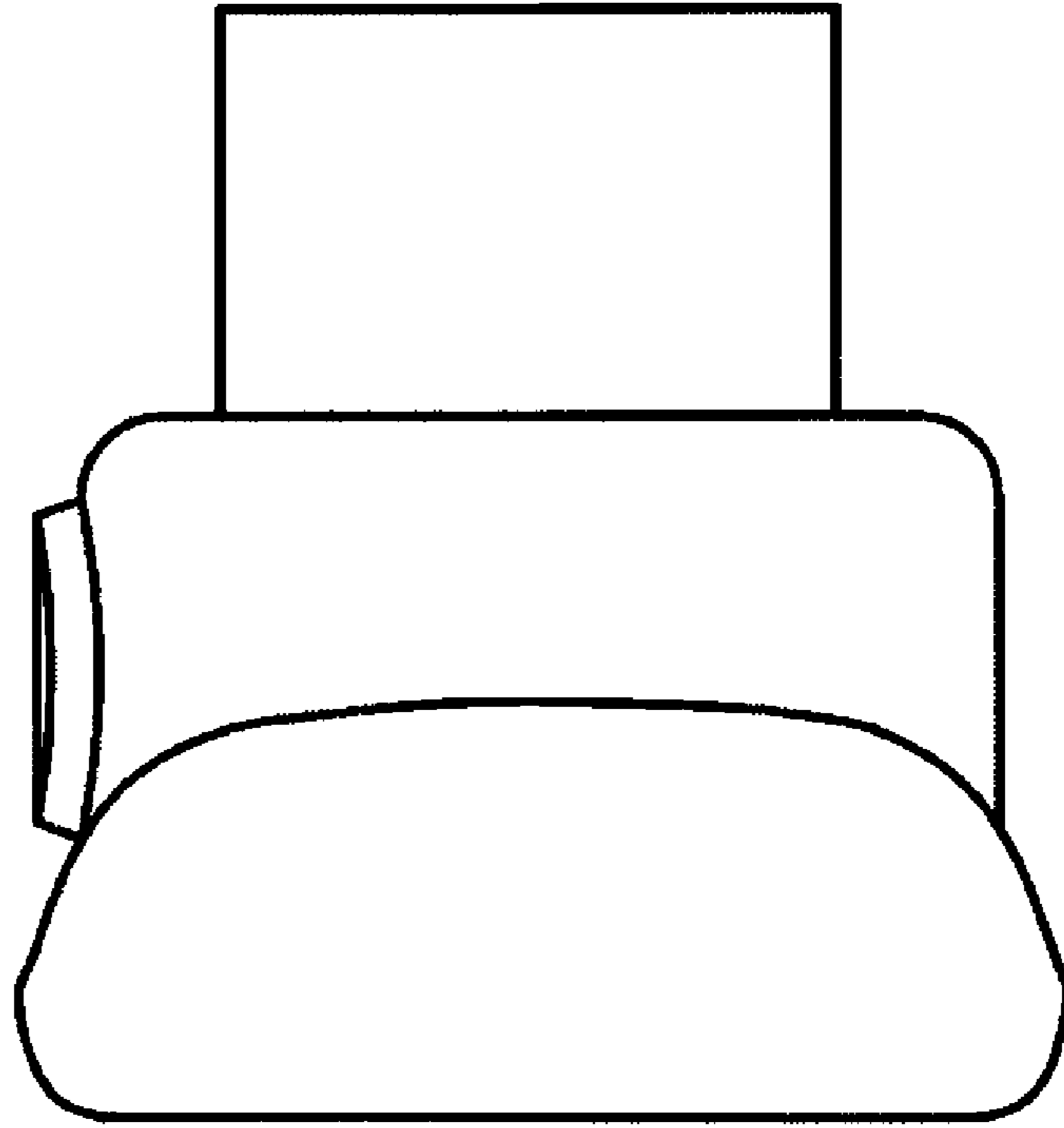


FIG. 12

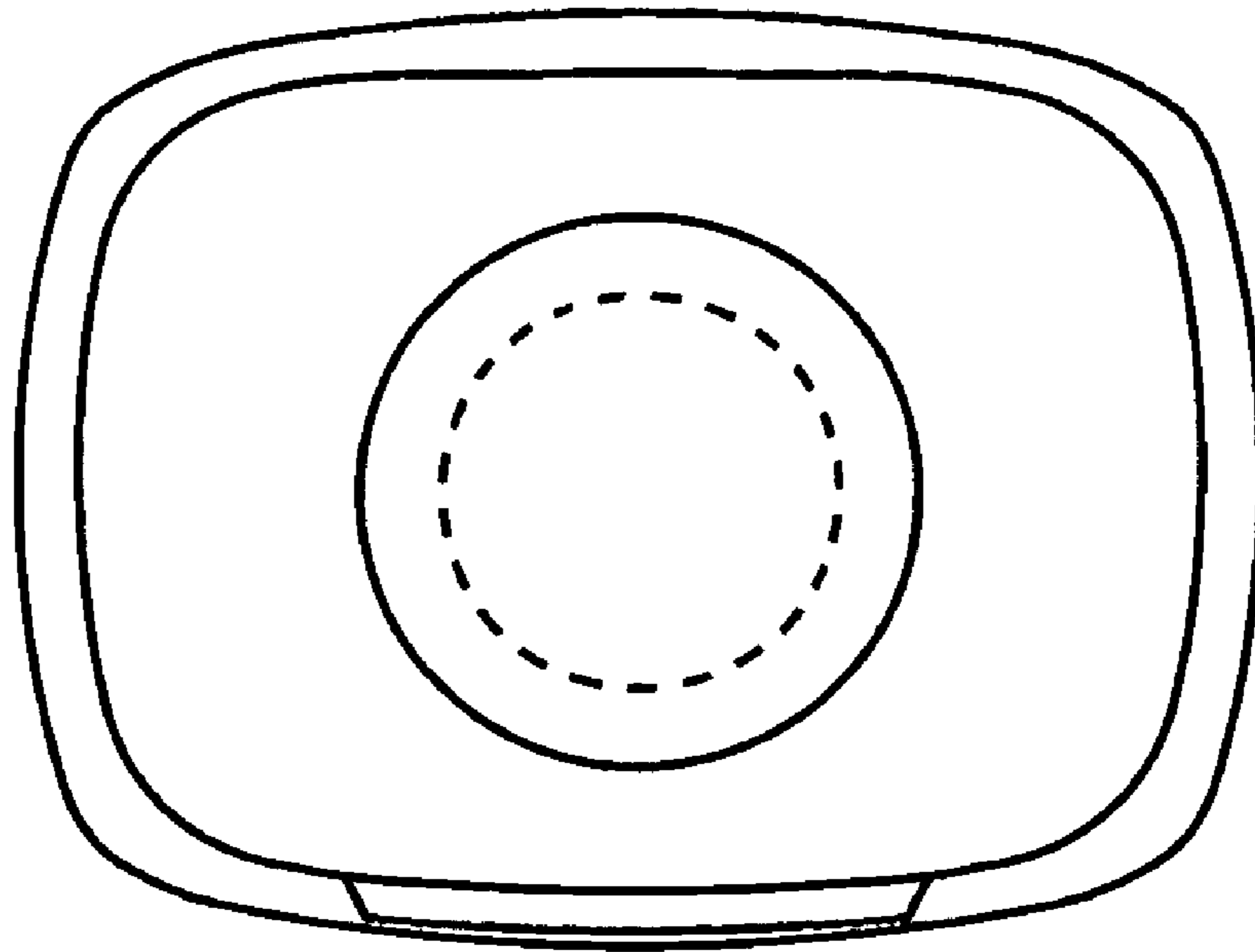


FIG. 13