



US00D623283S

(12) **United States Design Patent**
Dunn et al.

(10) **Patent No.:** **US D623,283 S**
(45) **Date of Patent:** **** Sep. 7, 2010**

(54) **POWDER DISPENSER**

(75) Inventors: **Steven B. Dunn**, Beverly Hills, CA (US); **Mark A. Hatherill**, Beverly Hills, CA (US); **Kevin D. Johnson**, Tarzana, CA (US)

(73) Assignee: **Munchkin, Inc.**, North Hills, CA (US)

(**) Term: **14 Years**

(21) Appl. No.: **29/346,337**

(22) Filed: **Oct. 30, 2009**

(51) **LOC (9) Cl.** **28-99**

(52) **U.S. Cl.** **D23/366**

(58) **Field of Classification Search** D23/355-369;
261/DIG. 17, DIG. 42, DIG. 65, DIG. 88,
261/DIG. 89; 239/34-36, 44-45, 53-54,
239/56-57, 60, 136, 152, 302, 326; 392/386,
392/390, 392, 394, 395; D28/5, 6; D32/29.1
See application file for complete search history.

(56) **References Cited**

U.S. PATENT DOCUMENTS

- 1,719,185 A * 7/1929 Lowy 220/87.1
- 2,610,432 A * 9/1952 Ambrose 222/196.5
- 3,214,065 A 10/1965 Thornton
- 4,437,575 A * 3/1984 Hahn 220/87.1
- D274,462 S * 6/1984 Rakocy et al. D23/365
- 5,174,462 A * 12/1992 Hames 220/87.1
- D334,975 S * 4/1993 Bunce et al. D23/366
- D380,538 S * 7/1997 Muller et al. D23/367
- D383,864 S * 9/1997 Billings D26/51
- 5,752,658 A * 5/1998 Gibbs et al. 239/56
- 5,988,520 A 11/1999 Bitner
- D424,677 S * 5/2000 Chen D23/366
- D432,224 S * 10/2000 Hautmann et al. D23/366
- D455,485 S * 4/2002 Hensel D23/366
- D458,359 S * 6/2002 Blanchette D23/366
- D475,444 S * 6/2003 Laferriere et al. D23/364
- D482,109 S * 11/2003 Woods D23/364
- D482,110 S * 11/2003 Laferriere et al. D23/364
- D482,111 S * 11/2003 Laferriere et al. D23/364

- D491,257 S * 6/2004 Picken, Jr. D23/366
- D492,018 S * 6/2004 Schroder D23/364
- D515,683 S * 2/2006 LaBlaine D23/366
- D517,673 S * 3/2006 Yamamoto et al. D23/366
- 7,086,569 B2 8/2006 Stravitz
- D550,345 S * 9/2007 Weggelaar D23/366
- D551,333 S * 9/2007 Wu D23/366

(Continued)

FOREIGN PATENT DOCUMENTS

EP 0913344 A1 5/1999

(Continued)

OTHER PUBLICATIONS

Copending U.S. Appl. No. 12/172,715, filed Jul. 14, 2008 entitled "Waste Disposal Devices".

(Continued)

Primary Examiner—Sandra Snapp
(74) *Attorney, Agent, or Firm*—Knoble Yoshida & Dunleavy, LLC

(57) **CLAIM**

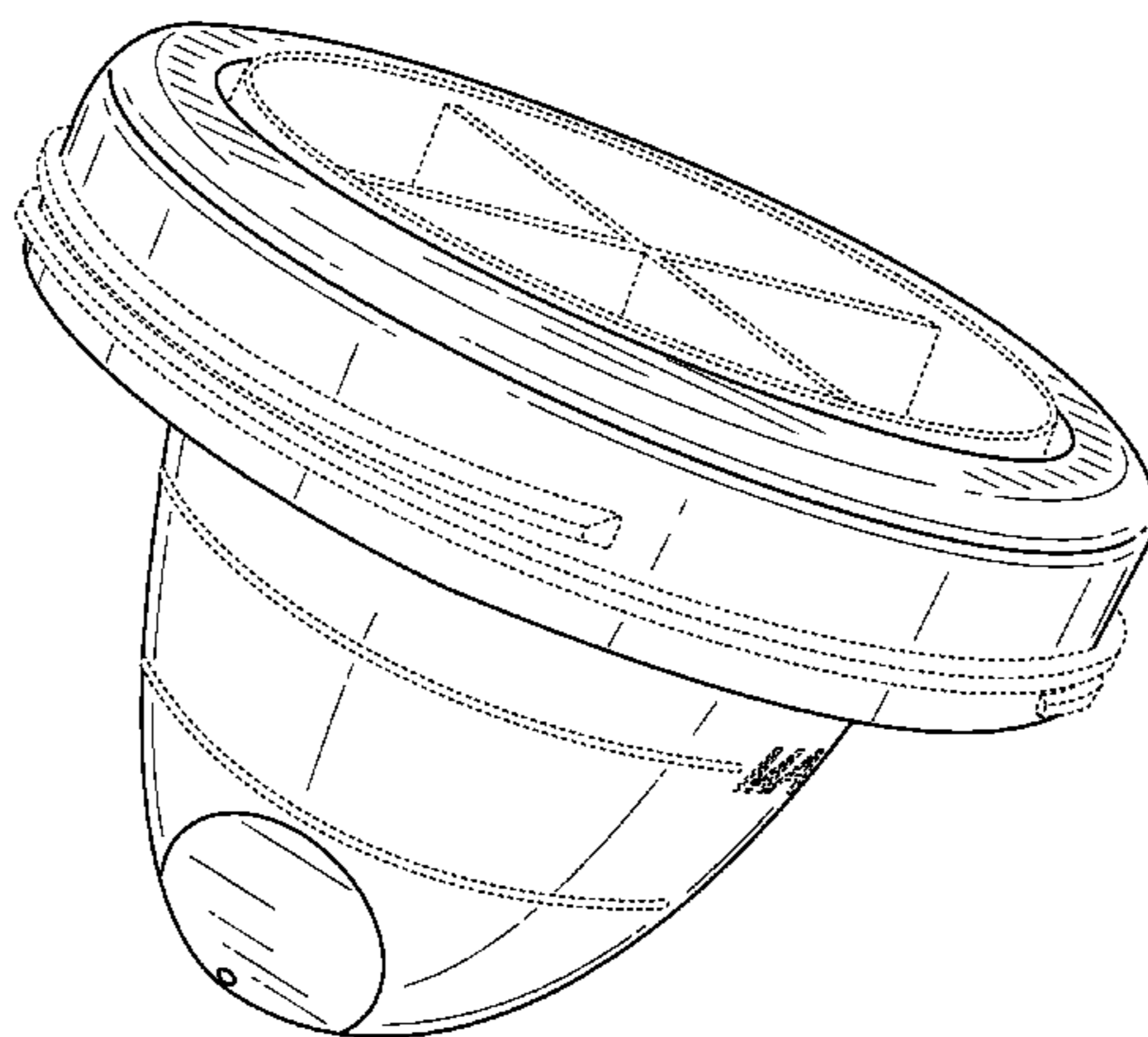
The ornamental design for a powder dispenser, as shown and described.

DESCRIPTION

FIG. 1 is a perspective view showing our new design;
FIG. 2 is a front elevational view;
FIG. 3 is a rear elevational view;
FIG. 4 is a first side elevational view;
FIG. 5 is a second side elevational view;
FIG. 6 is a top plan view; and,
FIG. 7 is a bottom plan view.

The broken lines in the drawings represent environmental structure and forms no part of the claimed design.

1 Claim, 7 Drawing Sheets



US D623,283 S

Page 2

U.S. PATENT DOCUMENTS

D565,715 S * 4/2008 Wu D23/366
D585,129 S * 1/2009 Huang D23/366
D591,415 S * 4/2009 Wu D23/366

FOREIGN PATENT DOCUMENTS

GB 099031 9/1933

GB 772538 4/1957

OTHER PUBLICATIONS

Copending U.S. Appl. No. 12/172,758, filed Jul. 14, 2008 entitled
"Tubing Assembly For Waste Disposal Devices".

Copending U.S. Appl. No. 12/172,793, filed Jul. 14, 2008 entitled
"Waste Disposal Devices".

* cited by examiner

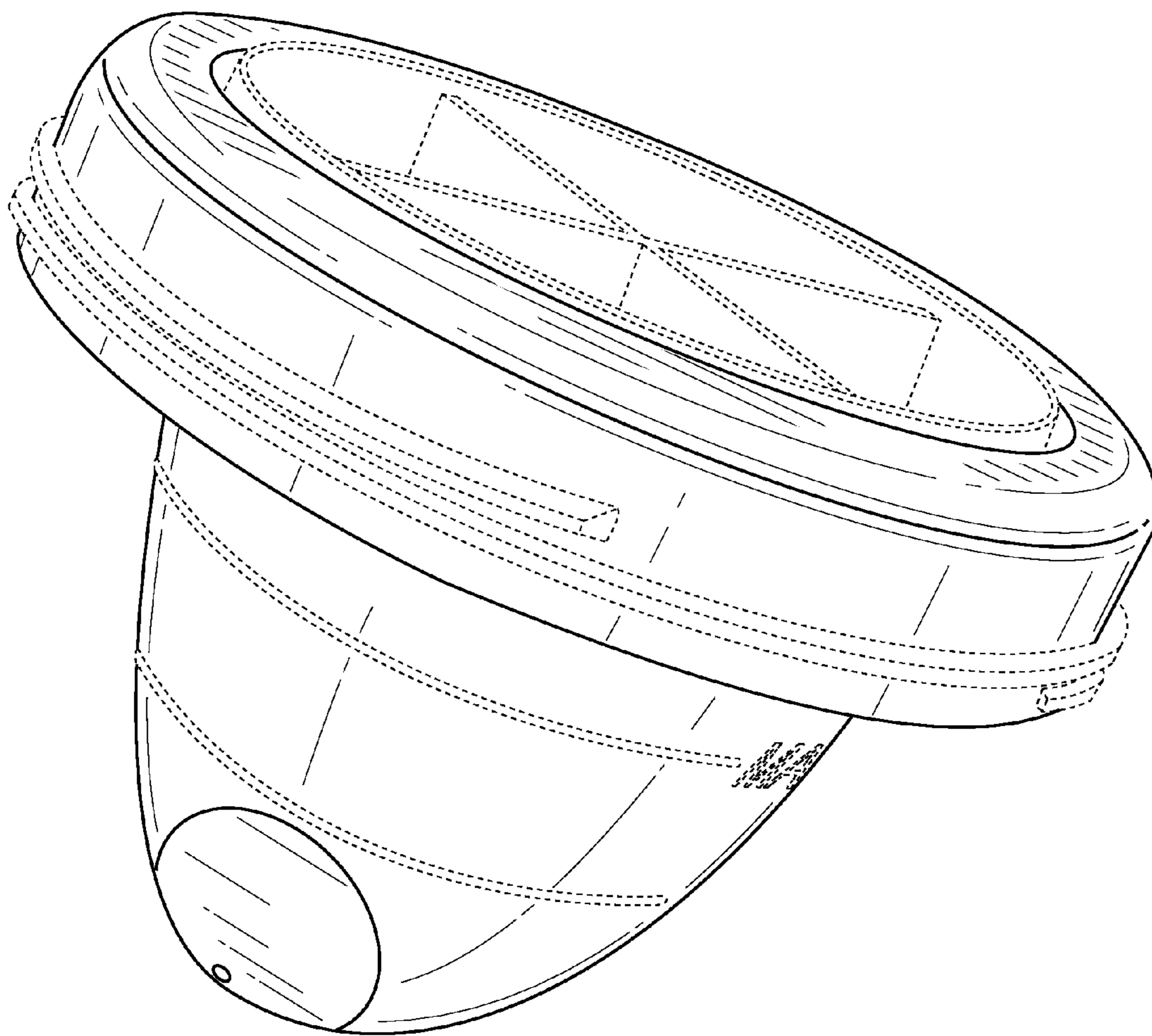


FIG. 1

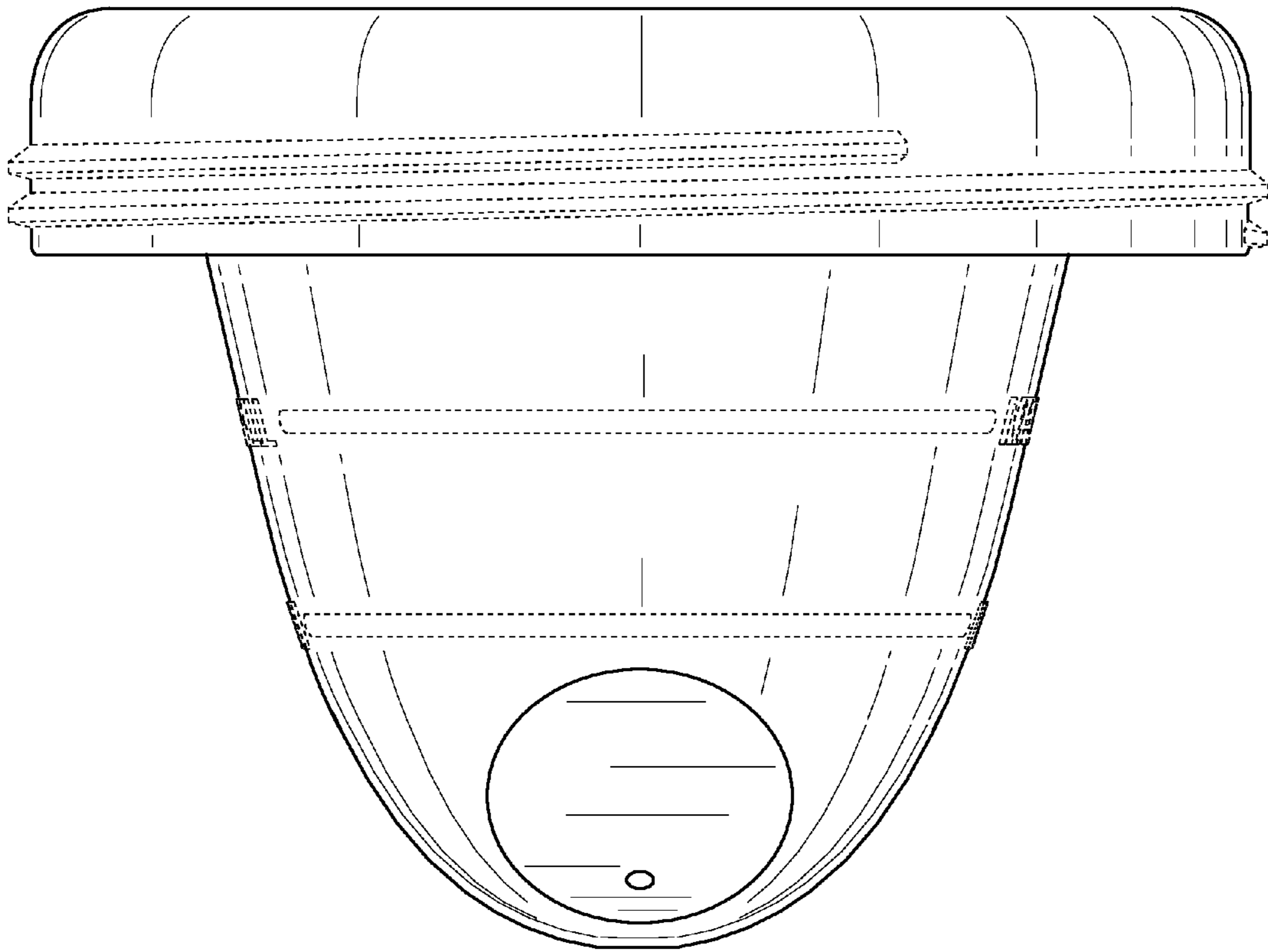


FIG. 2

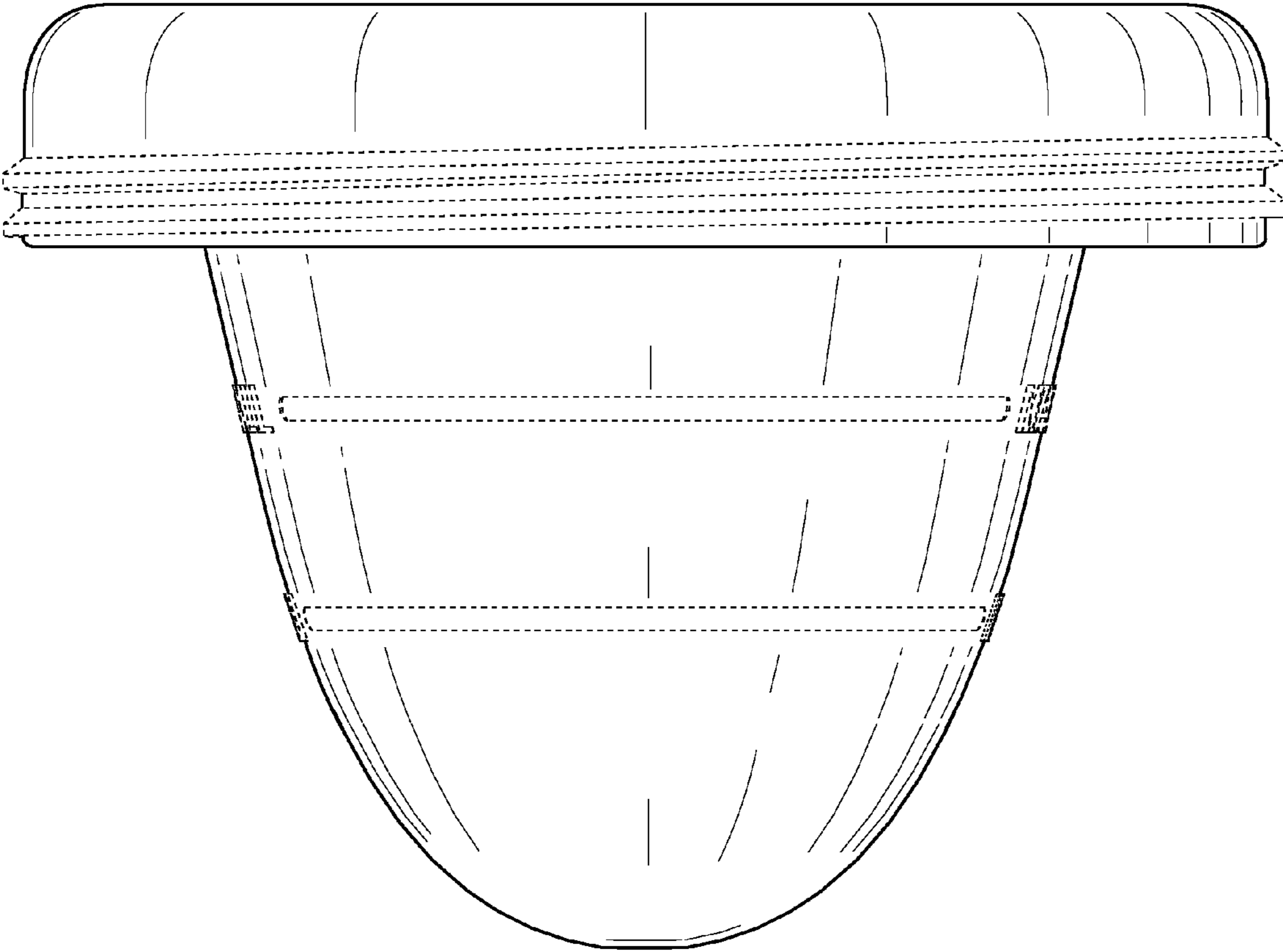


FIG. 3

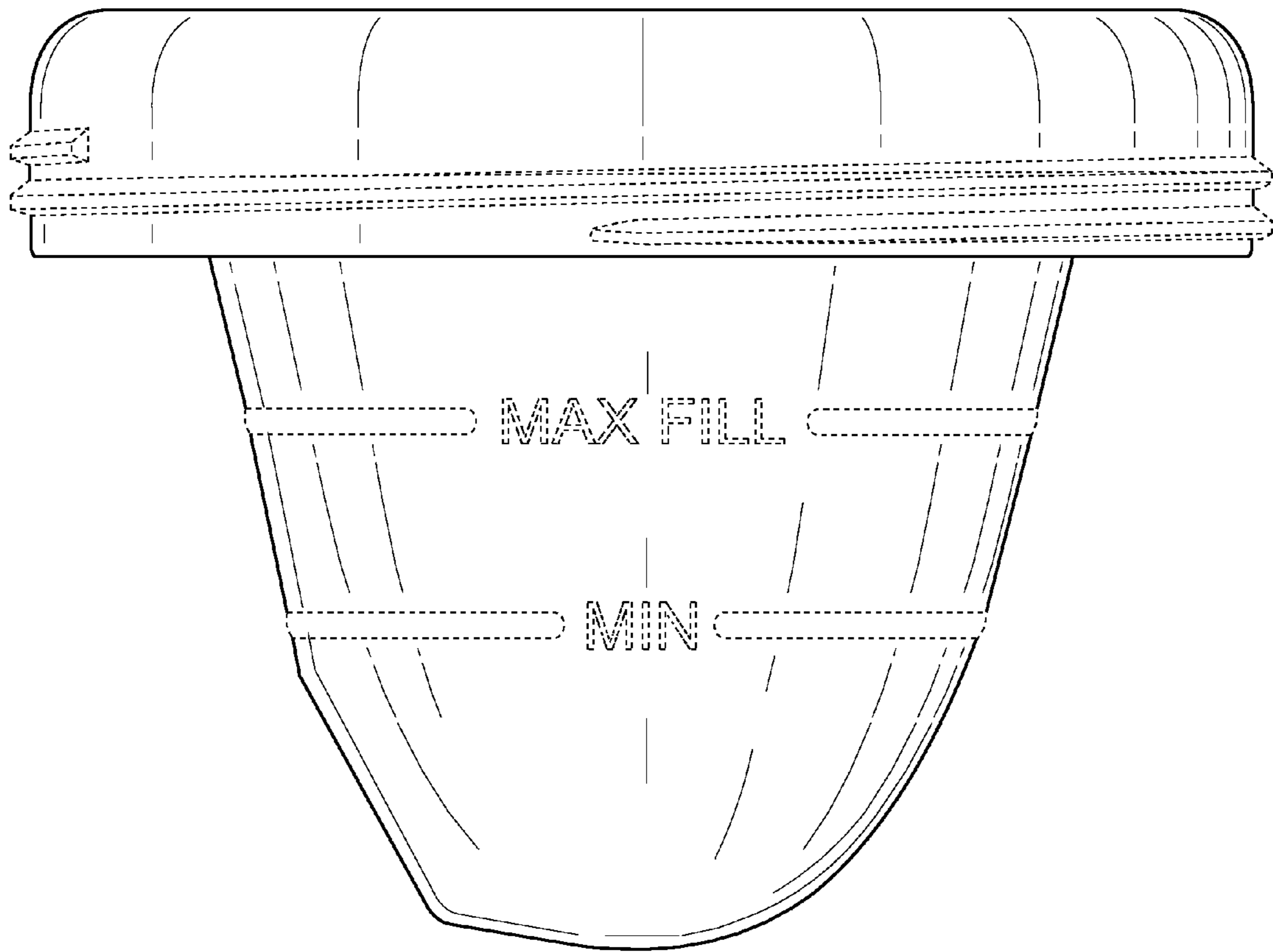


FIG. 4

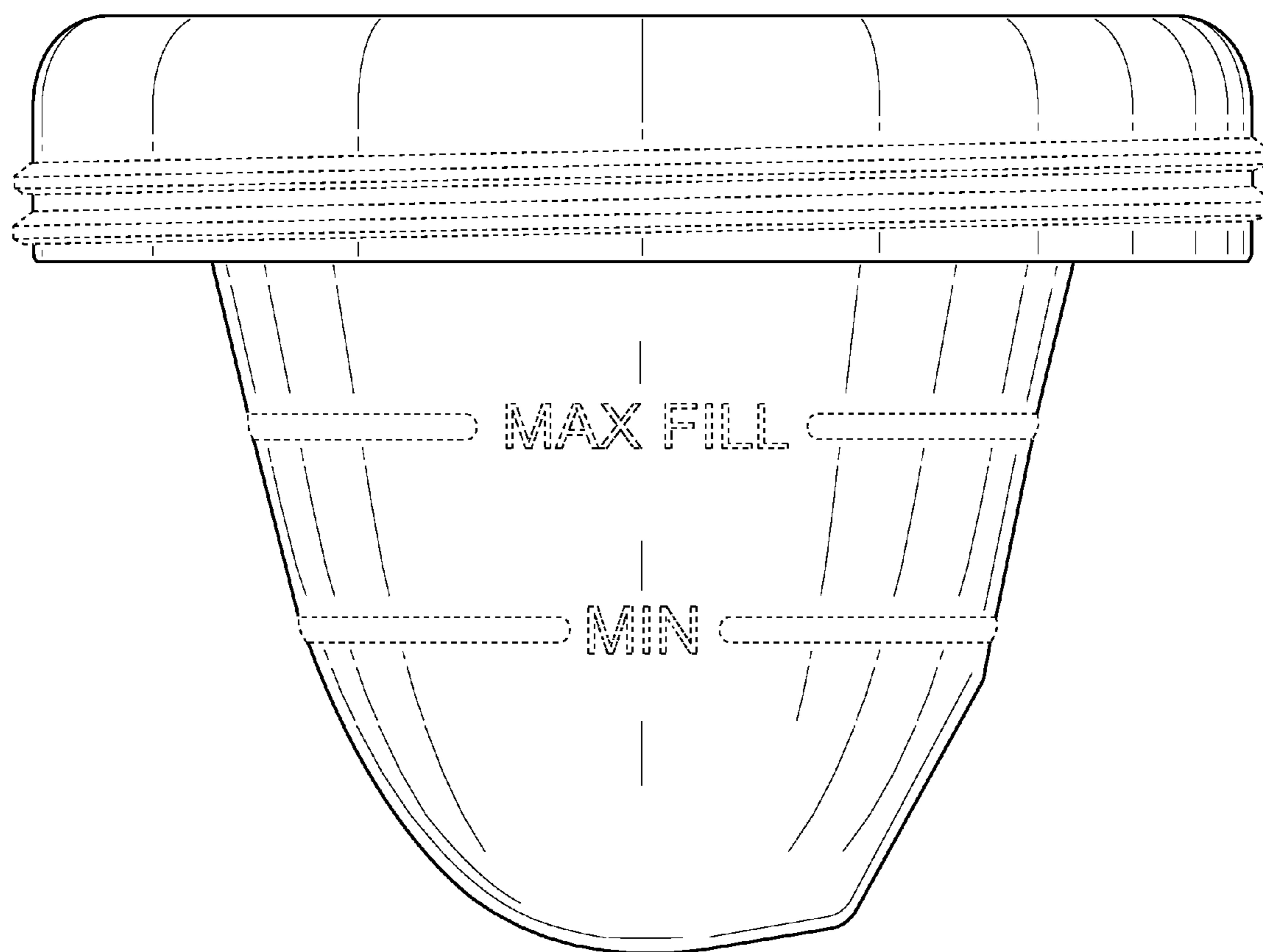


FIG. 5

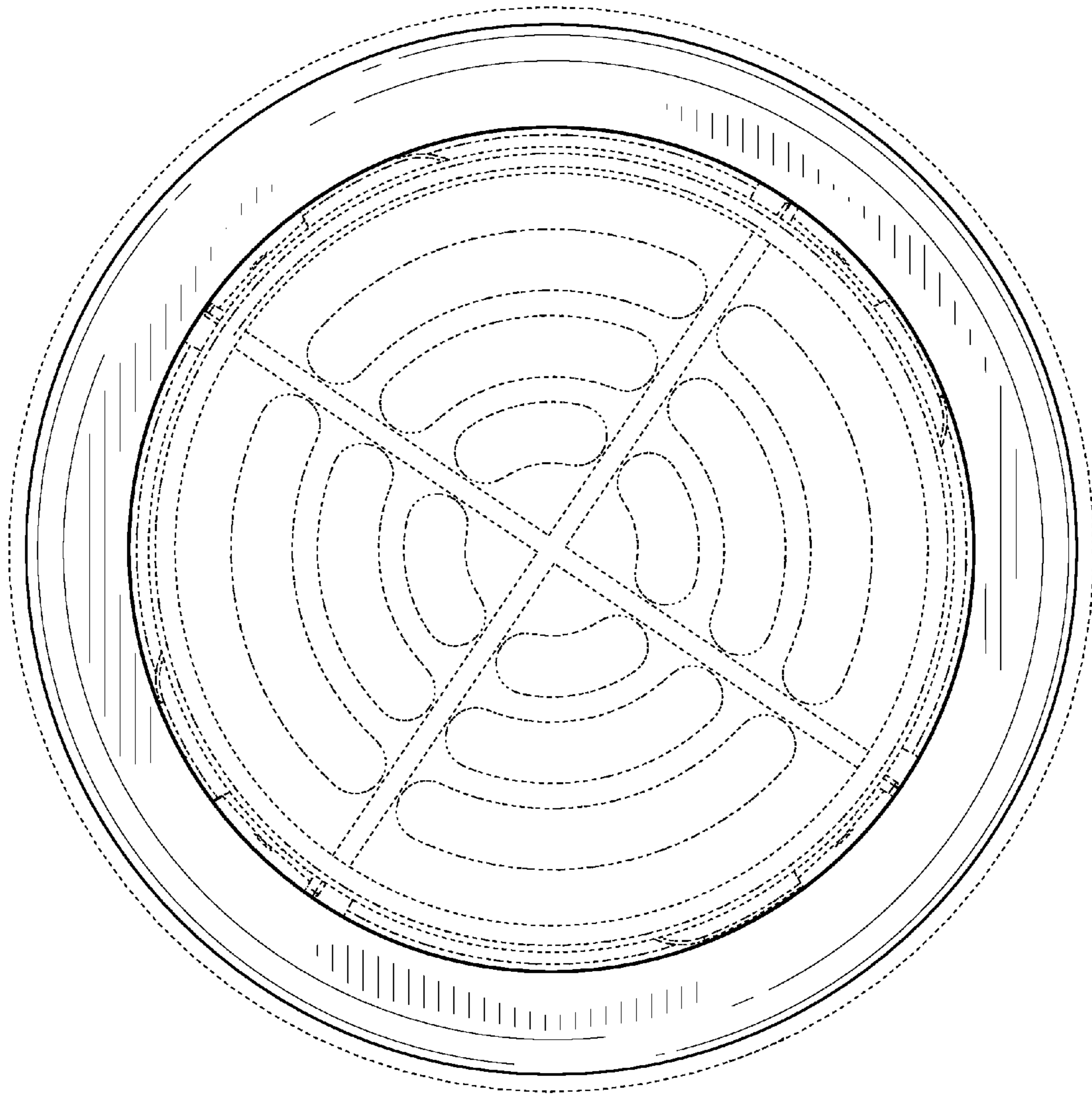


FIG. 6

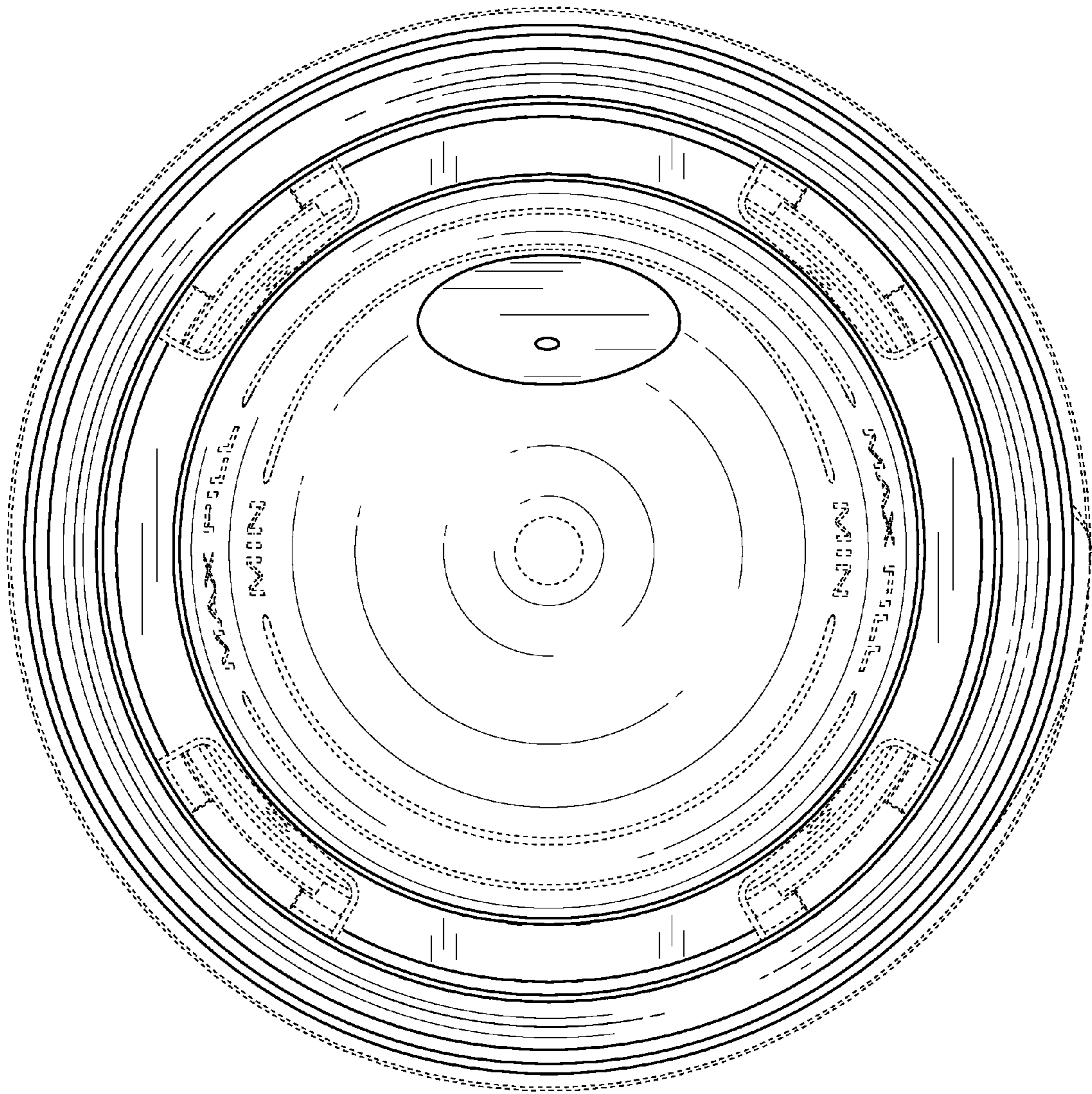


FIG. 7