



US00D623281S

(12) **United States Design Patent**
Ishida et al.

(10) **Patent No.:** **US D623,281 S**

(45) **Date of Patent:** **** Sep. 7, 2010**

(54) **AIR CONDITIONER**

(75) Inventors: **Kenji Ishida**, Chiyoda-Ku (JP); **Shinji Yamana**, Chiyoda-Ku (JP); **Hiroyuki Kato**, Chiyoda-Ku (JP)

(73) Assignee: **Mitsubishi Electric Corporation**, Tokyo (JP)

(**) Term: **14 Years**

(21) Appl. No.: **29/352,756**

(22) Filed: **Dec. 24, 2009**

(30) **Foreign Application Priority Data**

Jun. 25, 2009 (JP) 2009-014467

(51) **LOC (9) Cl.** **23-04**

(52) **U.S. Cl.** **D23/351**

(58) **Field of Classification Search** D23/351–354, D23/385, 355, 357, 361; 312/236; 62/259.1, 62/259.4, 262–263, 304; 454/300–331, 349–350
See application file for complete search history.

(56) **References Cited**

U.S. PATENT DOCUMENTS

D502,255 S *	2/2005	Kim	D23/351
D529,156 S *	9/2006	Murai	D23/351
D539,405 S *	3/2007	Jung et al.	D23/351
D539,883 S *	4/2007	Lee et al.	D23/351
D553,726 S *	10/2007	Niki	D23/351
D558,865 S *	1/2008	Yoo et al.	D23/351

D580,033 S *	11/2008	Seki	D23/351
D591,409 S *	4/2009	Kashimoto	D23/351
D591,410 S *	4/2009	Kashimoto	D23/351
D595,397 S *	6/2009	Park et al.	D23/351
D605,270 S *	12/2009	Vibrans et al.	D23/351

* cited by examiner

Primary Examiner—Brian N Vinson

(74) *Attorney, Agent, or Firm*—Sughrue Mion, PLLC

(57) **CLAIM**

The ornamental design for an air conditioner, as shown and described.

DESCRIPTION

FIG. 1 is a bottom, front, and right side perspective view of an air conditioner showing our new design;

FIG. 2 is a front elevational view thereof;

FIG. 3 is a rear elevational view thereof;

FIG. 4 is a left side elevational view thereof;

FIG. 5 is a right side elevational view thereof;

FIG. 6 is a top plan view thereof;

FIG. 7 is a bottom plan view thereof; and,

FIG. 8 is an enlarged vertical cross-sectional view thereof taken in the direction of line 8—8 in FIG. 2, the broken-line disclosure of internal elements being understood to be part of the article in which the claimed design is embodied, but which forms no part of the claimed design.

1 Claim, 4 Drawing Sheets

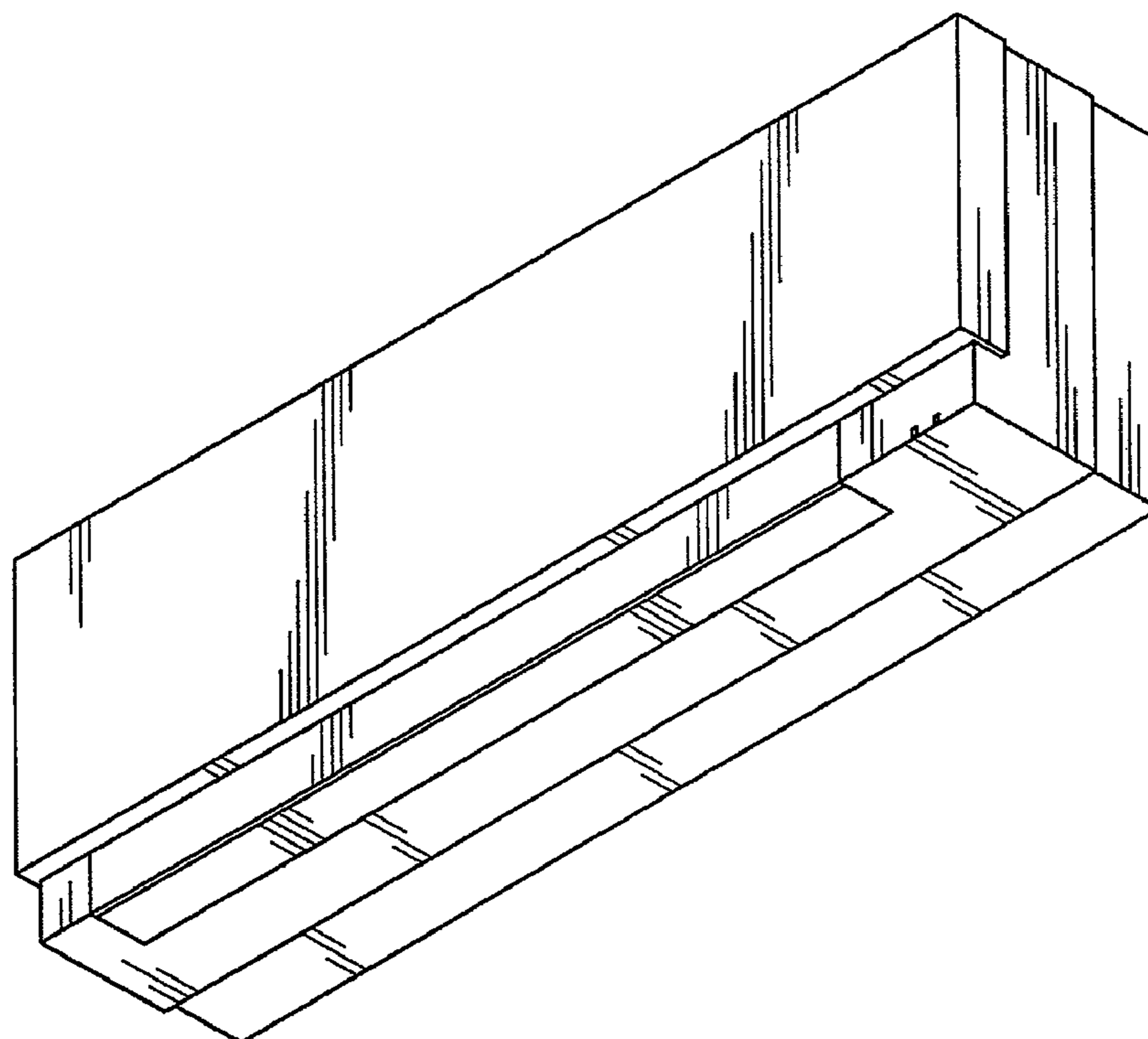


FIG. 1

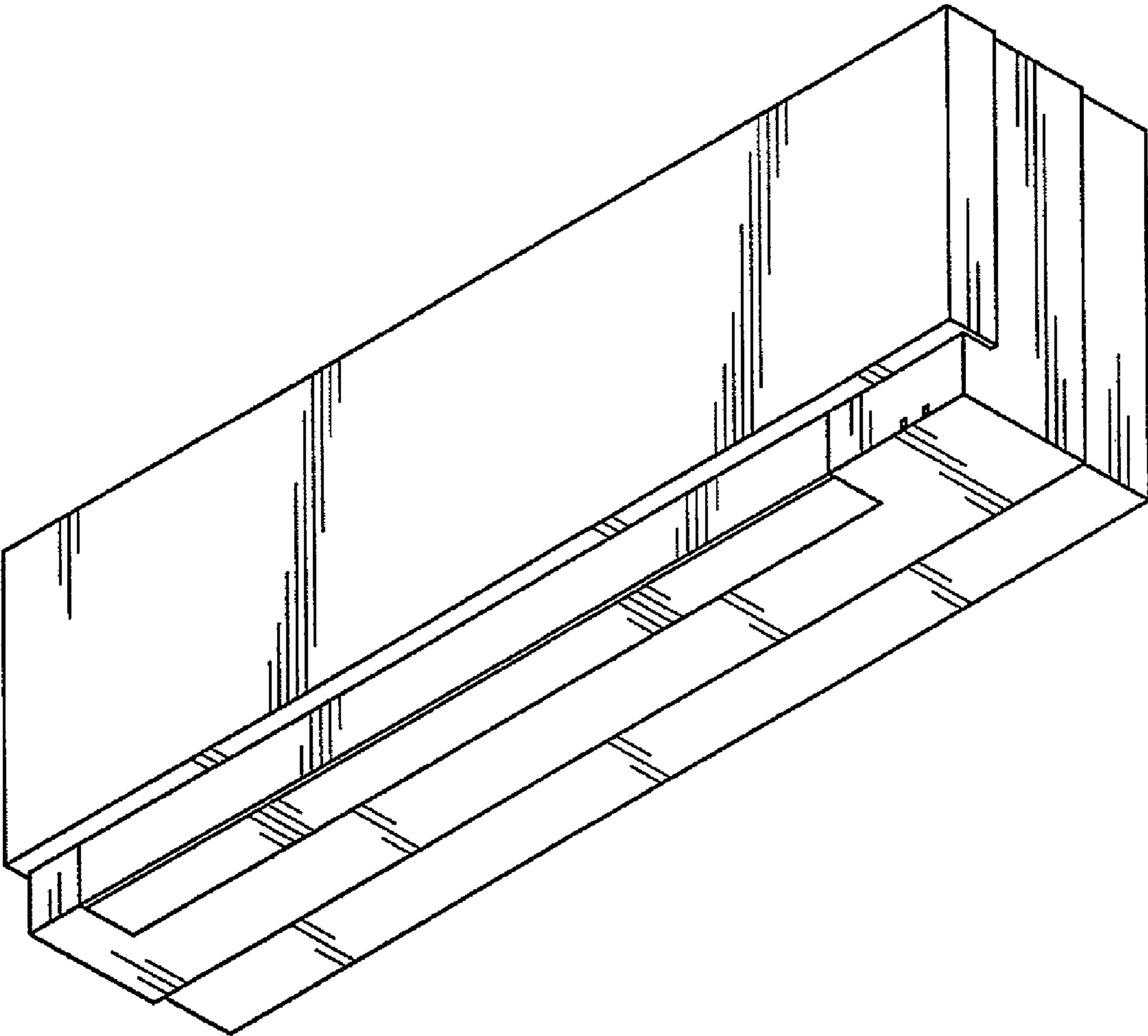


FIG.2

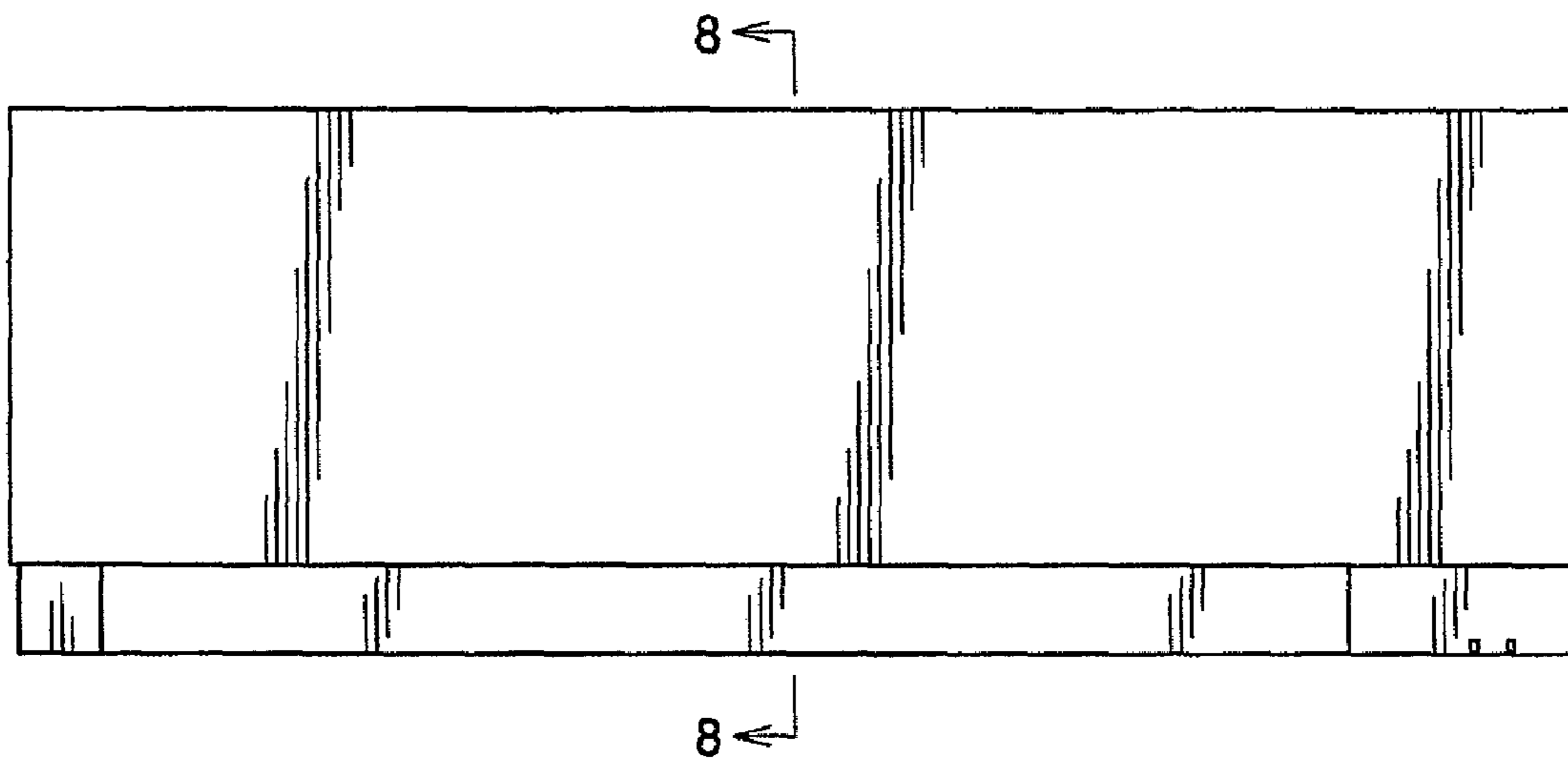


FIG.3

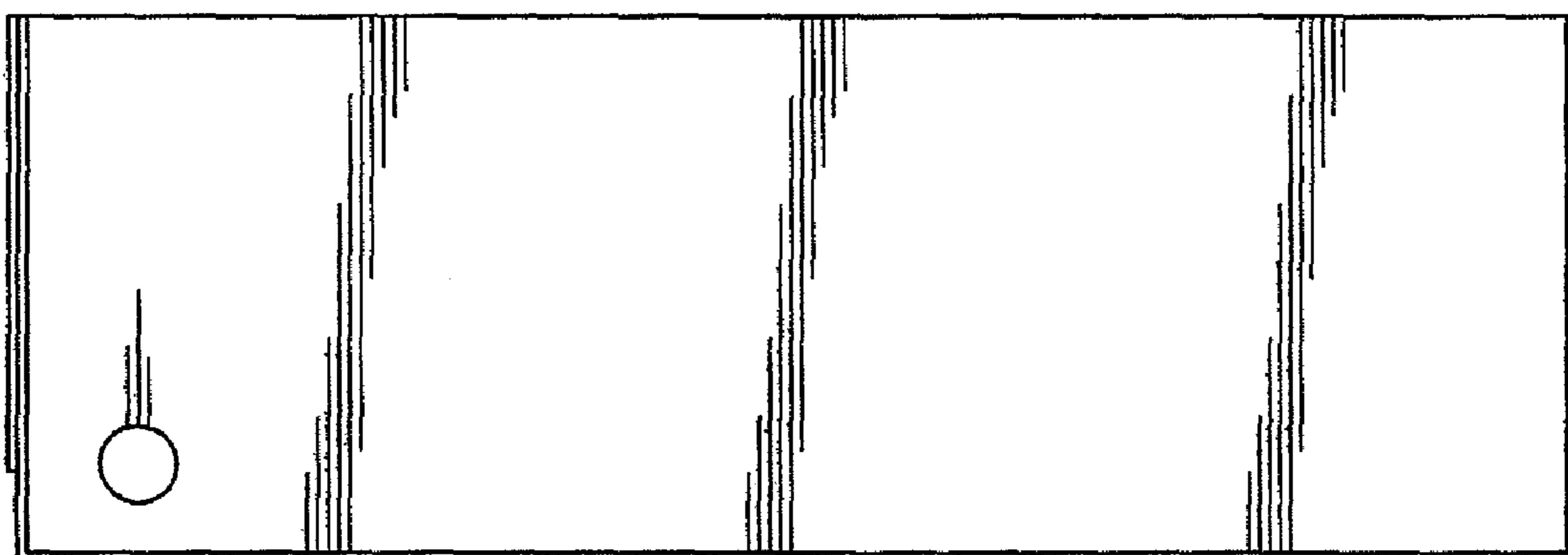


FIG.4

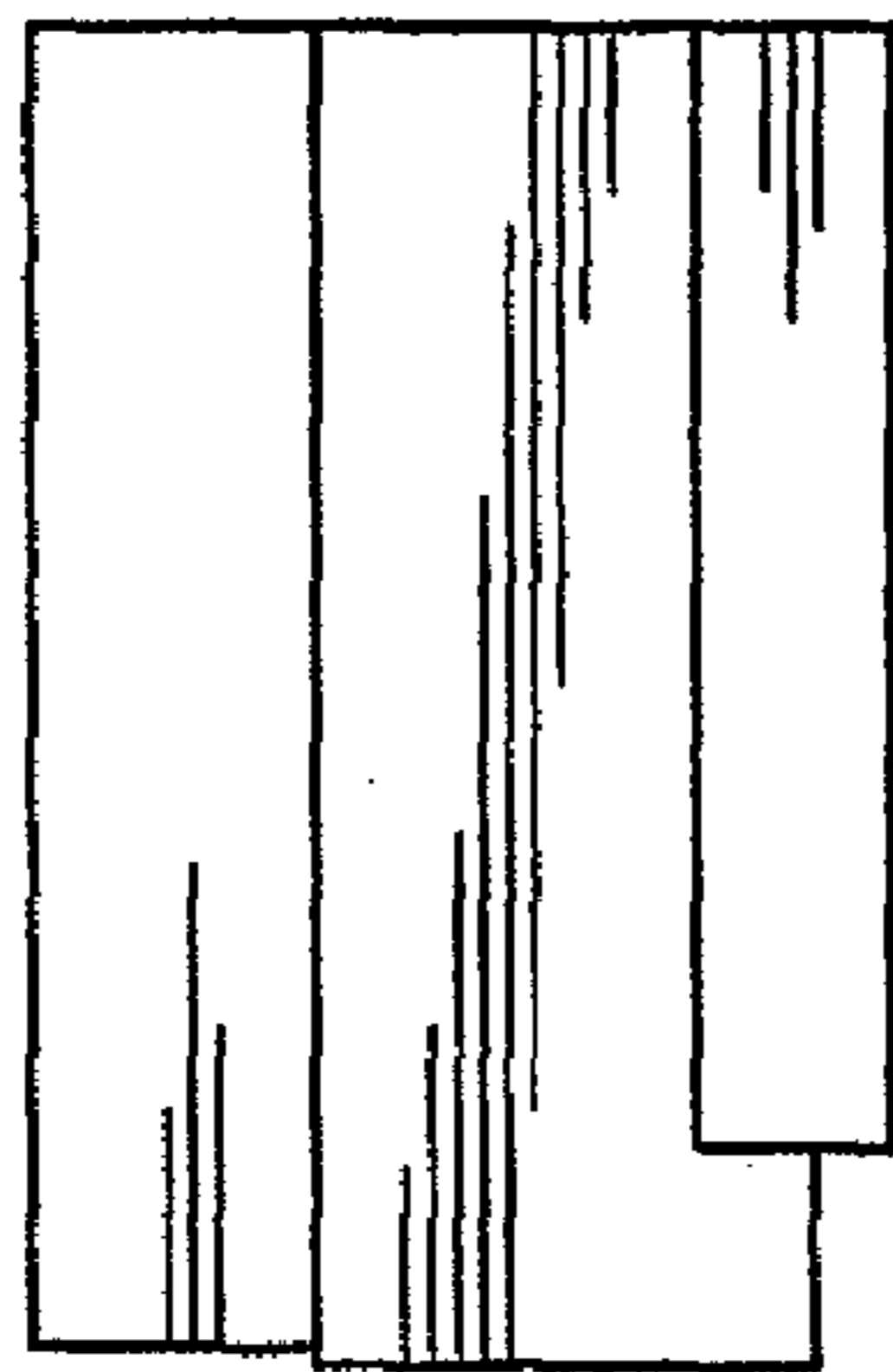


FIG.5

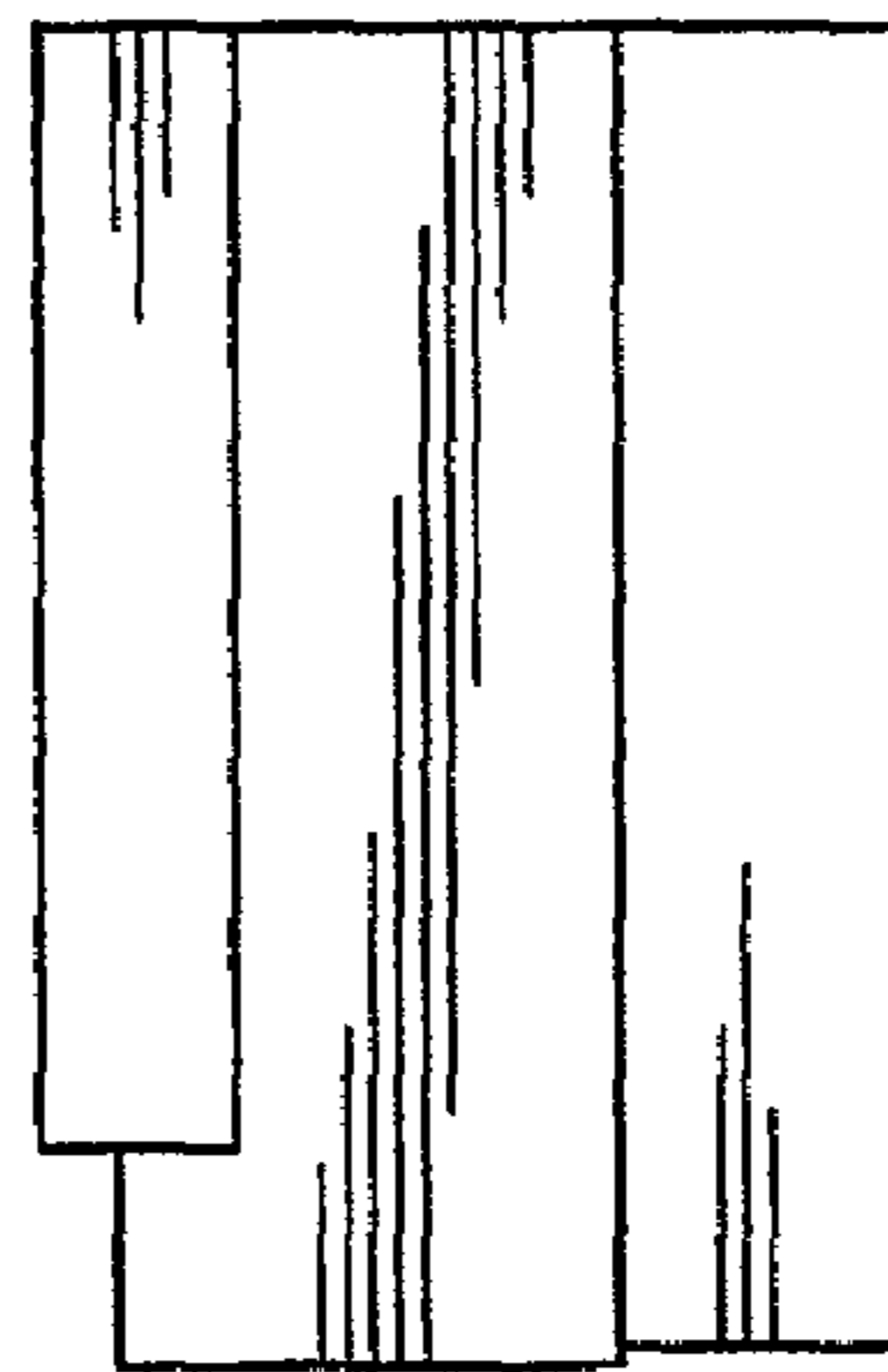


FIG.6

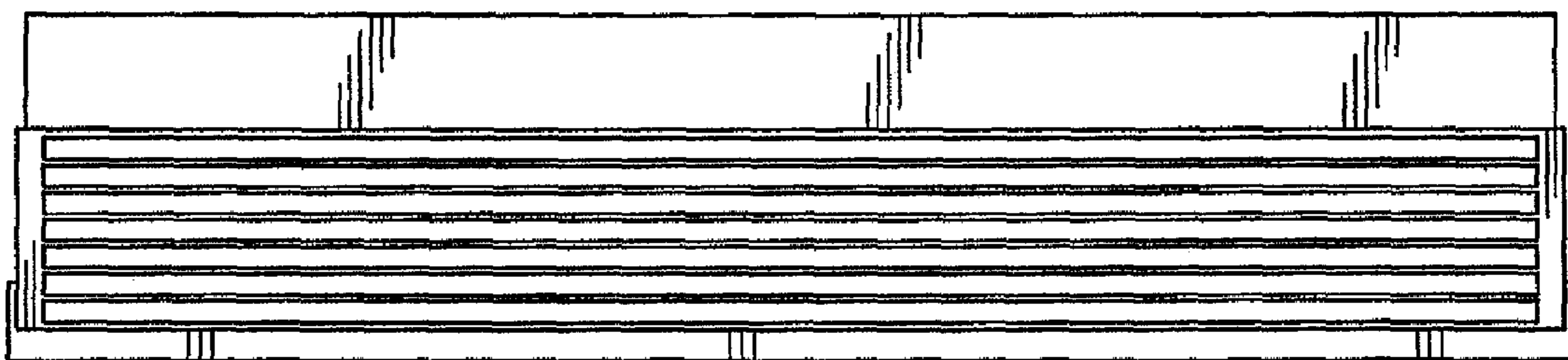


FIG.7

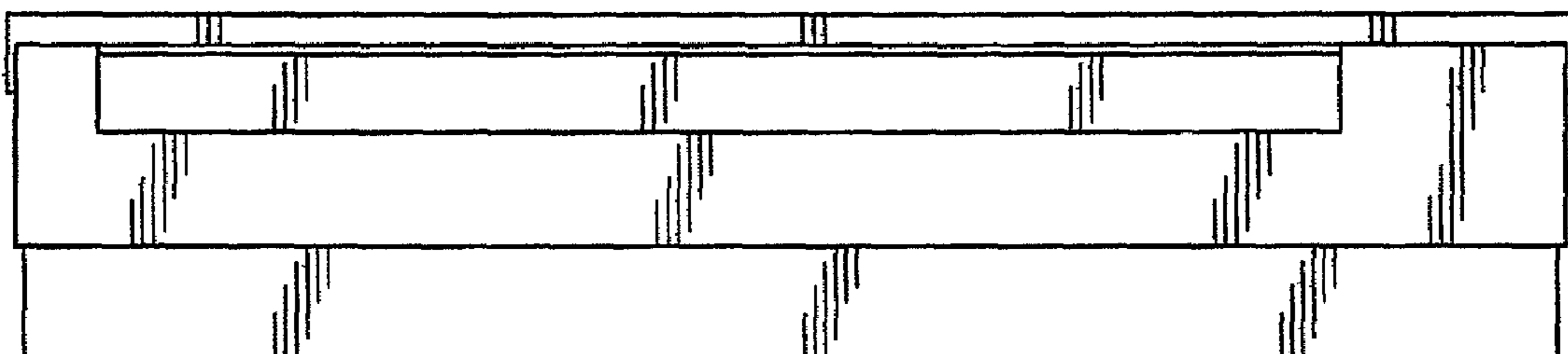


FIG.8

