



US00D623279S

(12) **United States Design Patent**
Joly, Jr. et al.

(10) **Patent No.:** **US D623,279 S**
(45) **Date of Patent:** **** Sep. 7, 2010**

(54) **COVER FOR EAVES TROUGH**

(57) **CLAIM**

(76) Inventors: **Robert E. Joly, Jr.**, 3845 Ready Rd.,
South Rockwood, MI (US) 48179; **Terry**
Claypool, 26671 Rinne Rd., New
Boston, MI (US) 48164

The ornamental design for a cover for eaves trough, as shown
and described.

(**) Term: **14 Years**

DESCRIPTION

(21) Appl. No.: **29/314,956**

FIG. 1 is a fragmentary pictorial view of a cover for eaves
trough according to the present invention.

(22) Filed: **May 12, 2009**

FIG. 2 is a top fragmentary view of the cover for eaves trough
shown in FIG. 1.

Related U.S. Application Data

(63) Continuation-in-part of application No. 12/383,455,
filed on Mar. 24, 2009.

FIG. 3 is a bottom fragmentary view of the cover for eaves
trough shown in FIG. 1.

(51) **LOC (9) Cl.** **23-01**

FIG. 4 is a left hand end view of the cover for eaves trough
shown in FIGS. 1-3, the right hand end view being a mirror
image.

(52) **U.S. Cl.** **D23/267**

FIG. 5 is a front view of the cover for eaves trough shown in
FIGS. 1-4.

(58) **Field of Classification Search** D23/267;
D25/119; 52/11-13, 16, 169.5, 302.1, 302.3;
210/162, 446, 451, 474, 477; 248/48.1
See application file for complete search history.

FIG. 6 is a rear view of the cover for eaves trough shown in
FIGS. 1-5.

(56) **References Cited**

FIG. 7 is a fragmentary pictorial view of a second embodi-
ment of a cover for eaves trough according to the present
invention.

U.S. PATENT DOCUMENTS

- D251,049 S * 2/1979 Gardner D6/468
- D310,259 S * 8/1990 Hitchins D23/267
- 5,813,173 A * 9/1998 Way, Sr. 52/12
- D416,079 S * 11/1999 Hallett, II D23/267
- 6,016,631 A * 1/2000 Lowrie, III 52/12
- D470,926 S * 2/2003 Knight D23/267
- 7,191,564 B2 * 3/2007 Higginbotham 52/12
- D551,740 S * 9/2007 Riley D23/267
- D558,309 S * 12/2007 Gregg D23/267

FIG. 8 is a top fragmentary view of the cover for eaves trough
shown in FIG. 7.

FIG. 9 is a bottom fragmentary view of the cover for eaves
trough shown in FIGS. 7 and 8.

FIG. 10 is a left hand end view of the cover for eaves trough
shown in FIGS. 7-9, the right hand end view being a mirror
image.

FIG. 11 is a front view of the cover for eaves trough shown in
FIGS. 7-10; and,

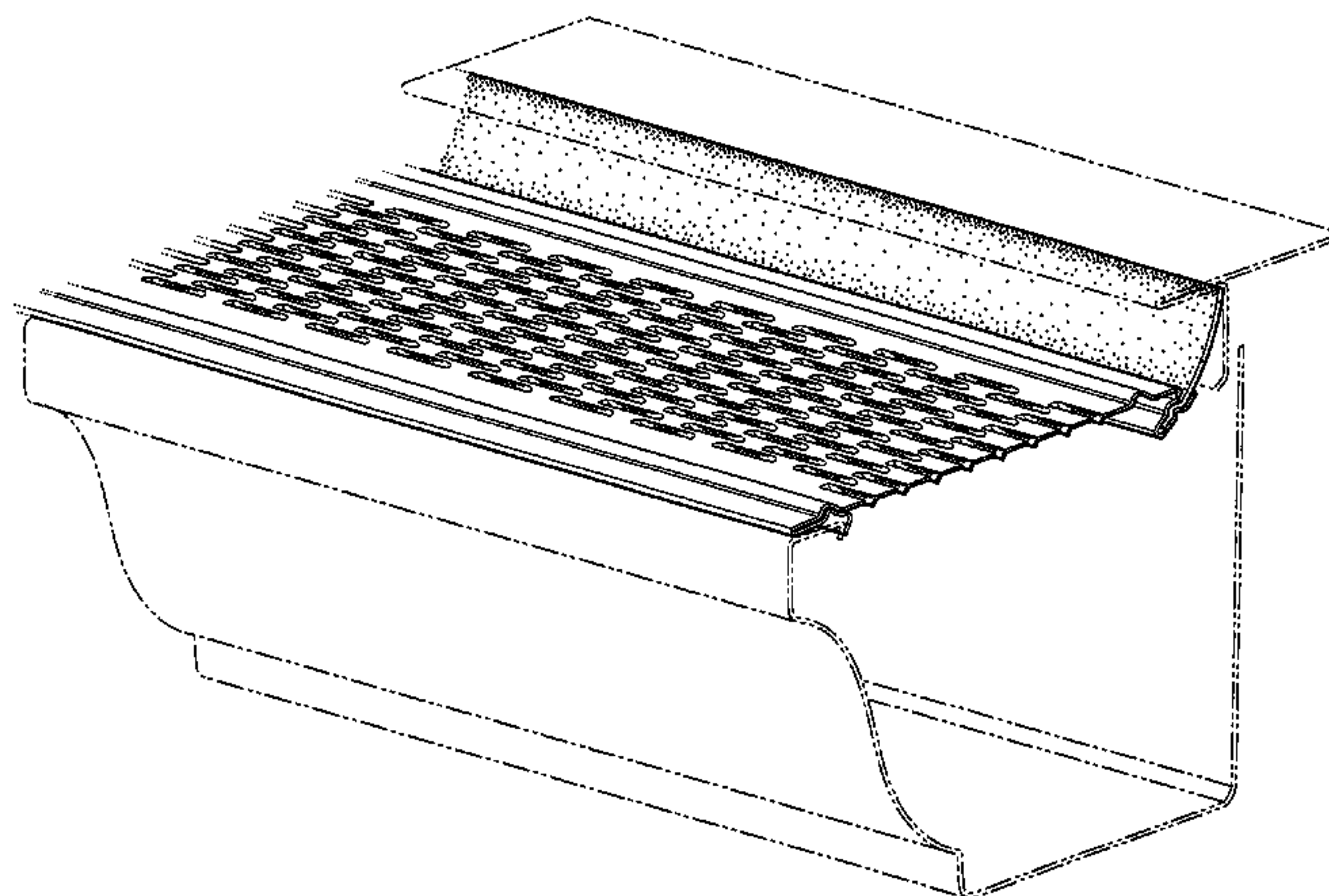
FIG. 12 is a rear view of the cover for eaves trough shown in
FIGS. 7-11.

The broken line showing of the eaves trough is included for
the purpose of illustrating environment and forms no part of
the claimed design. The broken line showing of the eaves
trough cover is for the purpose of showing that no particular
length of eaves trough cover is claimed.

(Continued)

Primary Examiner—T. Chase Nelson
Assistant Examiner—Eric L Goodman
(74) *Attorney, Agent, or Firm*—John R. Benefiel

1 Claim, 8 Drawing Sheets



US D623,279 S

Page 2

U.S. PATENT DOCUMENTS

7,310,912	B2 *	12/2007	Lenney et al.	52/12	2008/0127575	A1 *	6/2008	Ealer	52/12
D565,706	S *	4/2008	Murray	D23/261	2008/0134587	A1 *	6/2008	Ealer	52/12
7,610,722	B1 *	11/2009	Carroll	52/16	2008/0163561	A1 *	7/2008	Lenney et al.	52/12
7,650,720	B2 *	1/2010	Ealer, Sr.	52/12	2008/0190040	A1 *	8/2008	Graves	52/12
D615,632	S *	5/2010	Wootton	D23/267	2009/0000210	A1 *	1/2009	Barnett	52/12
2001/0030149	A1 *	10/2001	Naddy	210/162	2009/0025303	A1 *	1/2009	Gramling	52/11
2003/0046876	A1 *	3/2003	Higginbotham	52/11	2009/0108144	A1 *	4/2009	Brochu	248/48.1
2006/0123710	A1 *	6/2006	Lenney et al.	52/12	2010/0071273	A1 *	3/2010	Joly et al.	52/12
2007/0234647	A1 *	10/2007	Higginbotham	52/12	2010/0088971	A1 *	4/2010	Horton	52/12

* cited by examiner

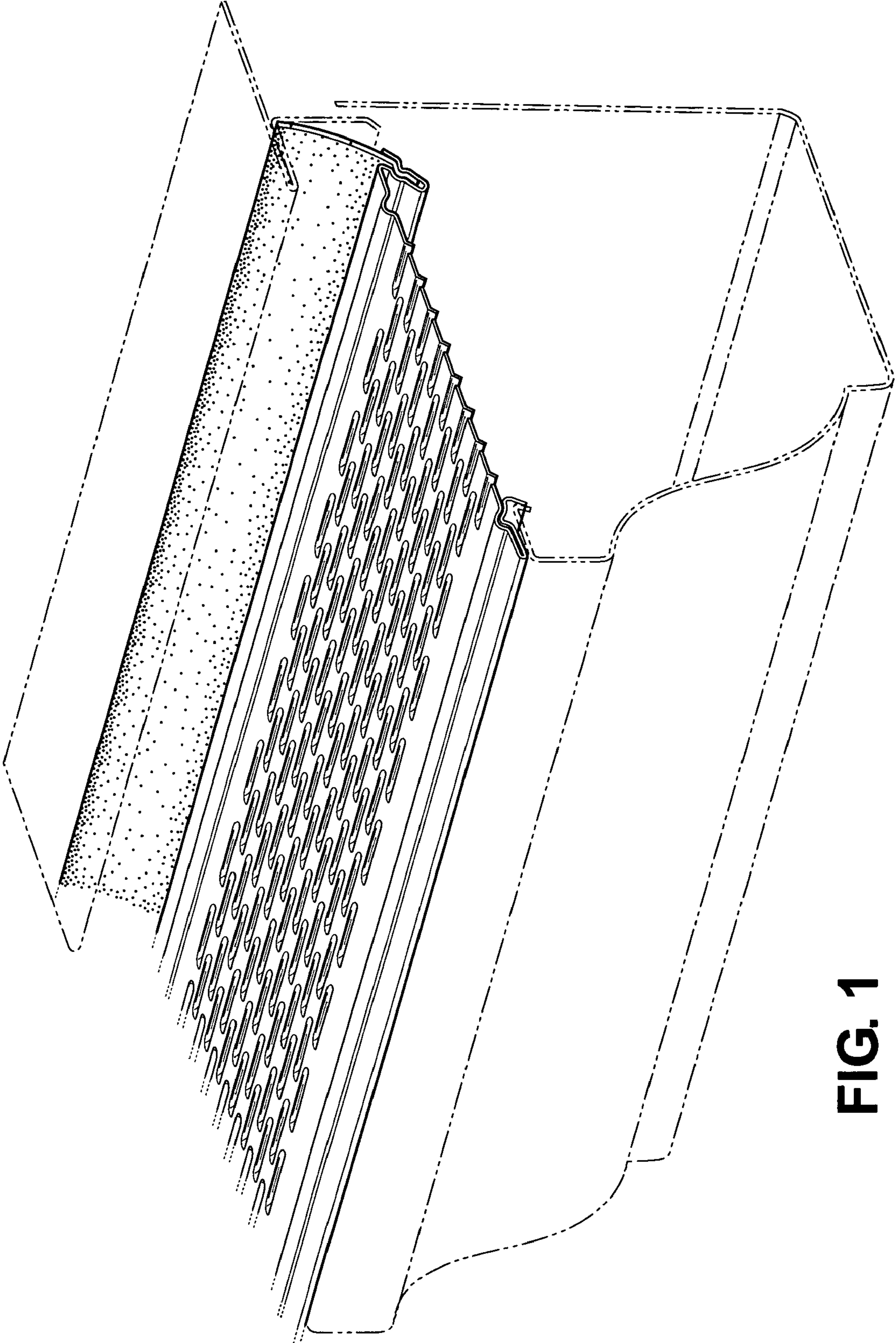


FIG. 1

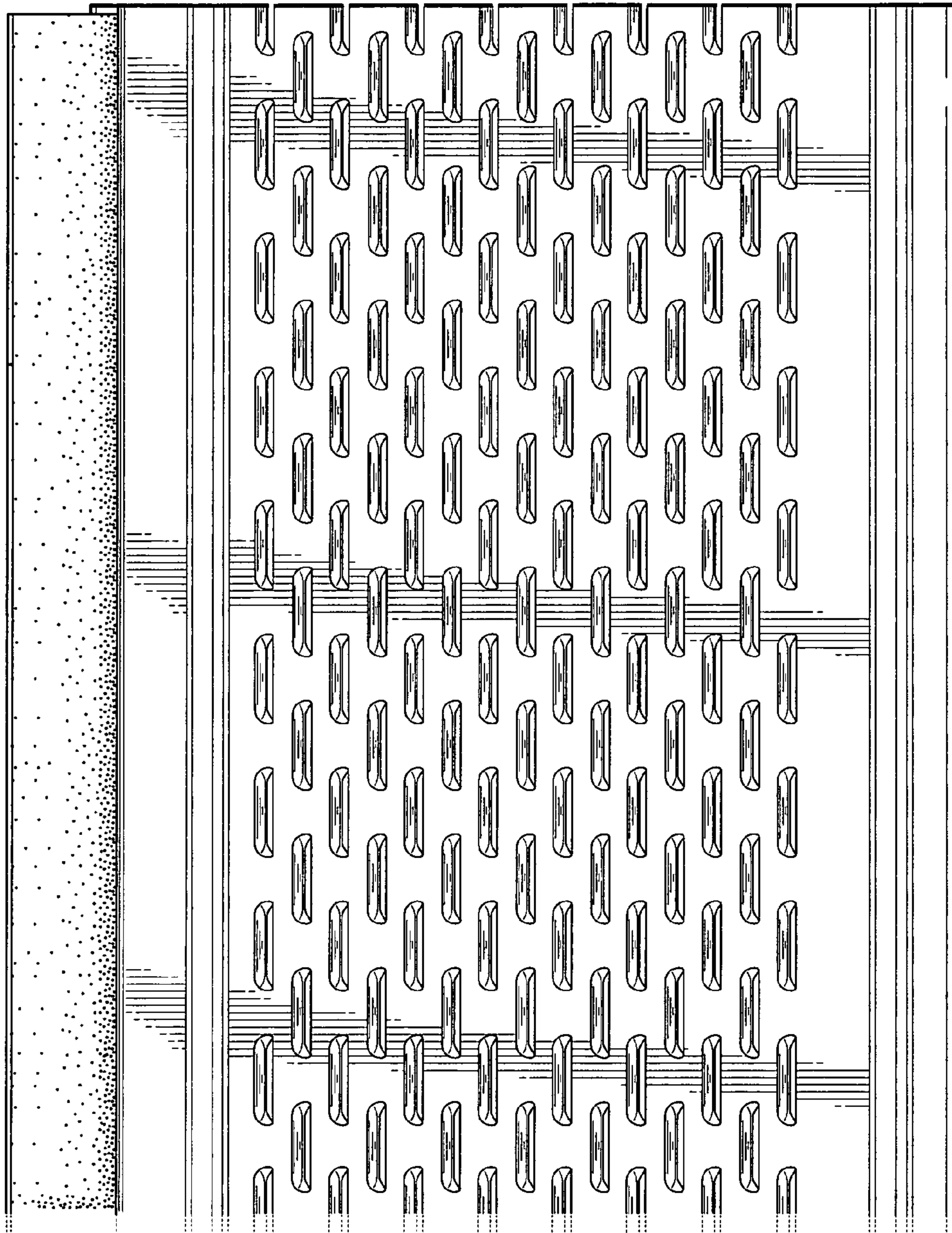


FIG. 2

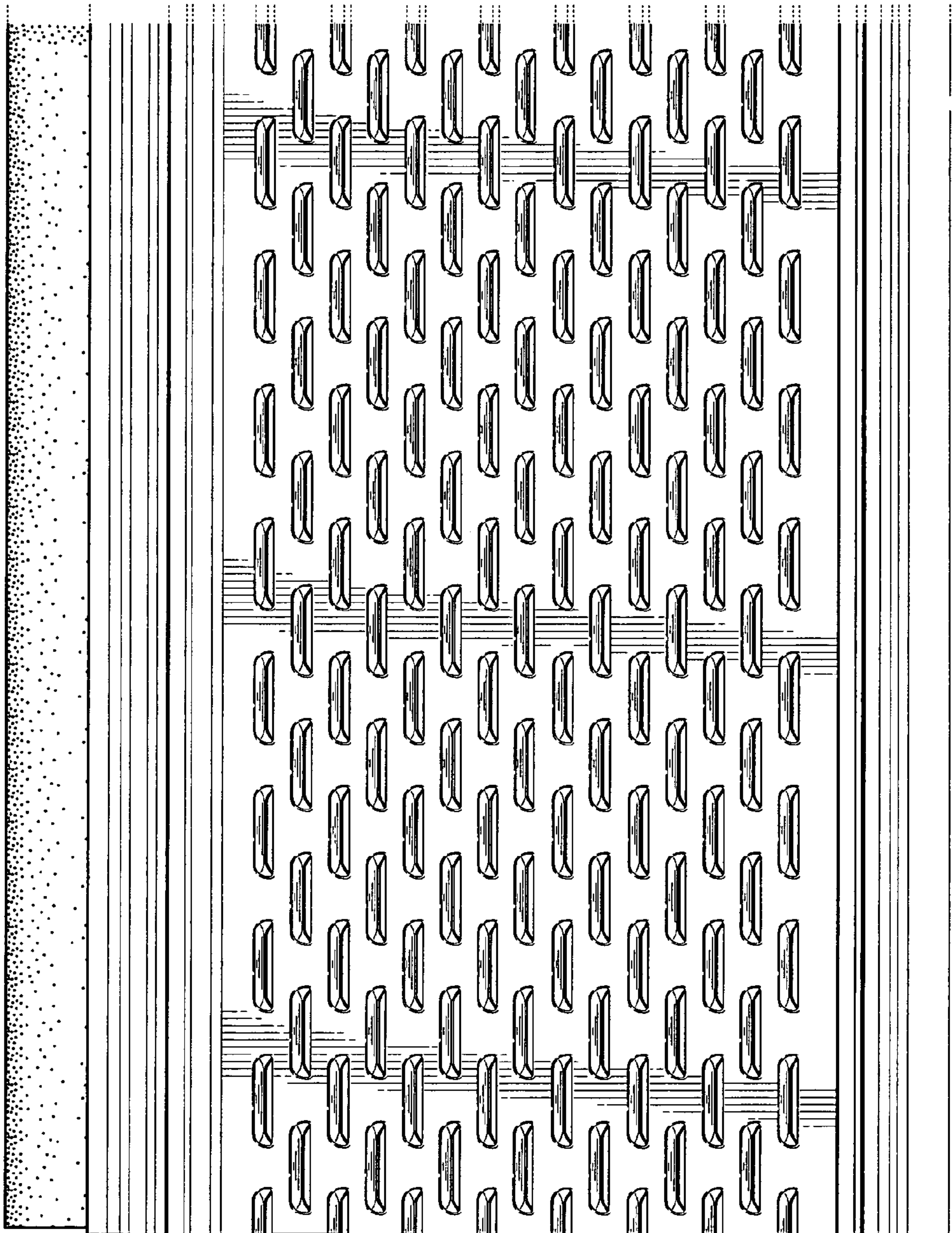


FIG. 3

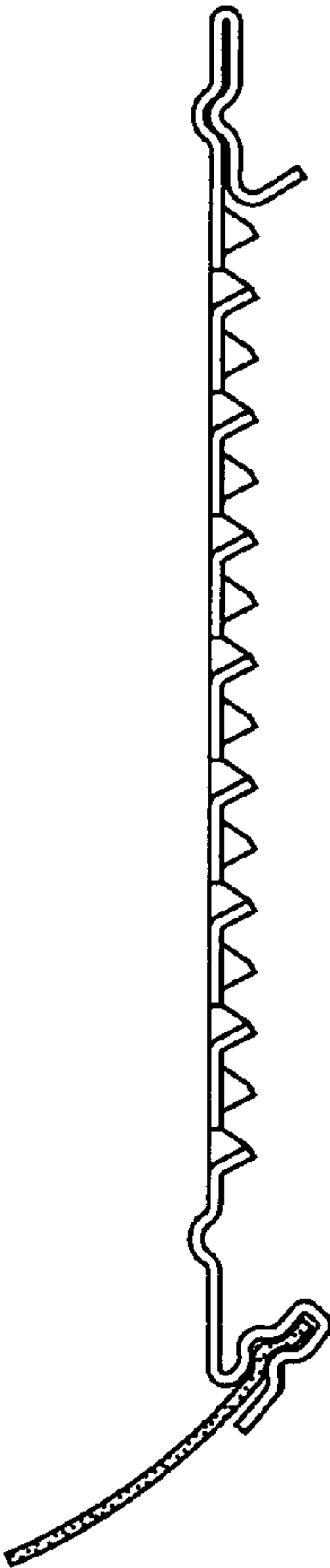


FIG. 4

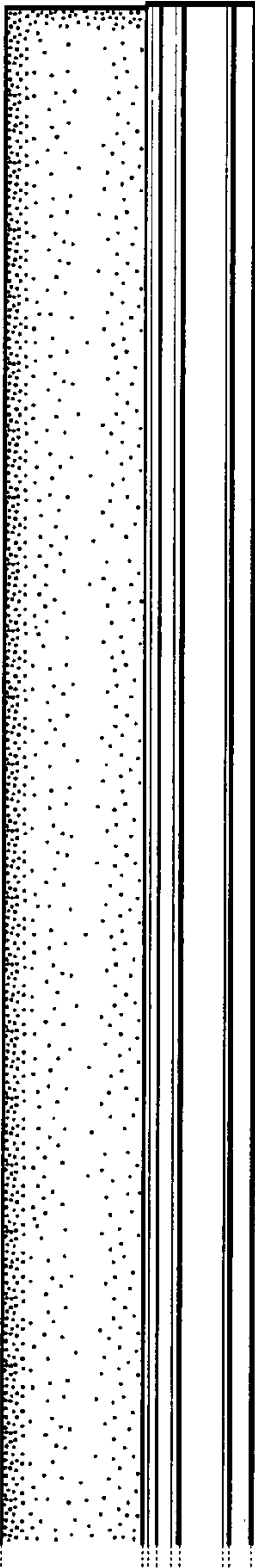


FIG. 5

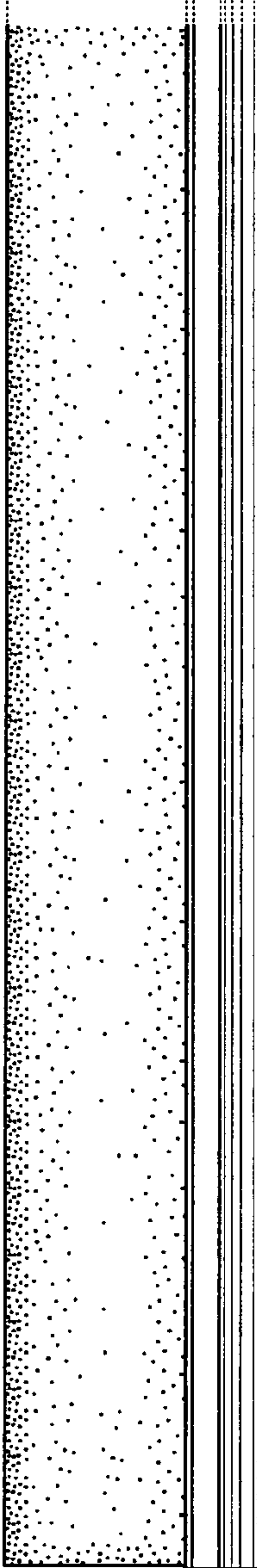


FIG. 6

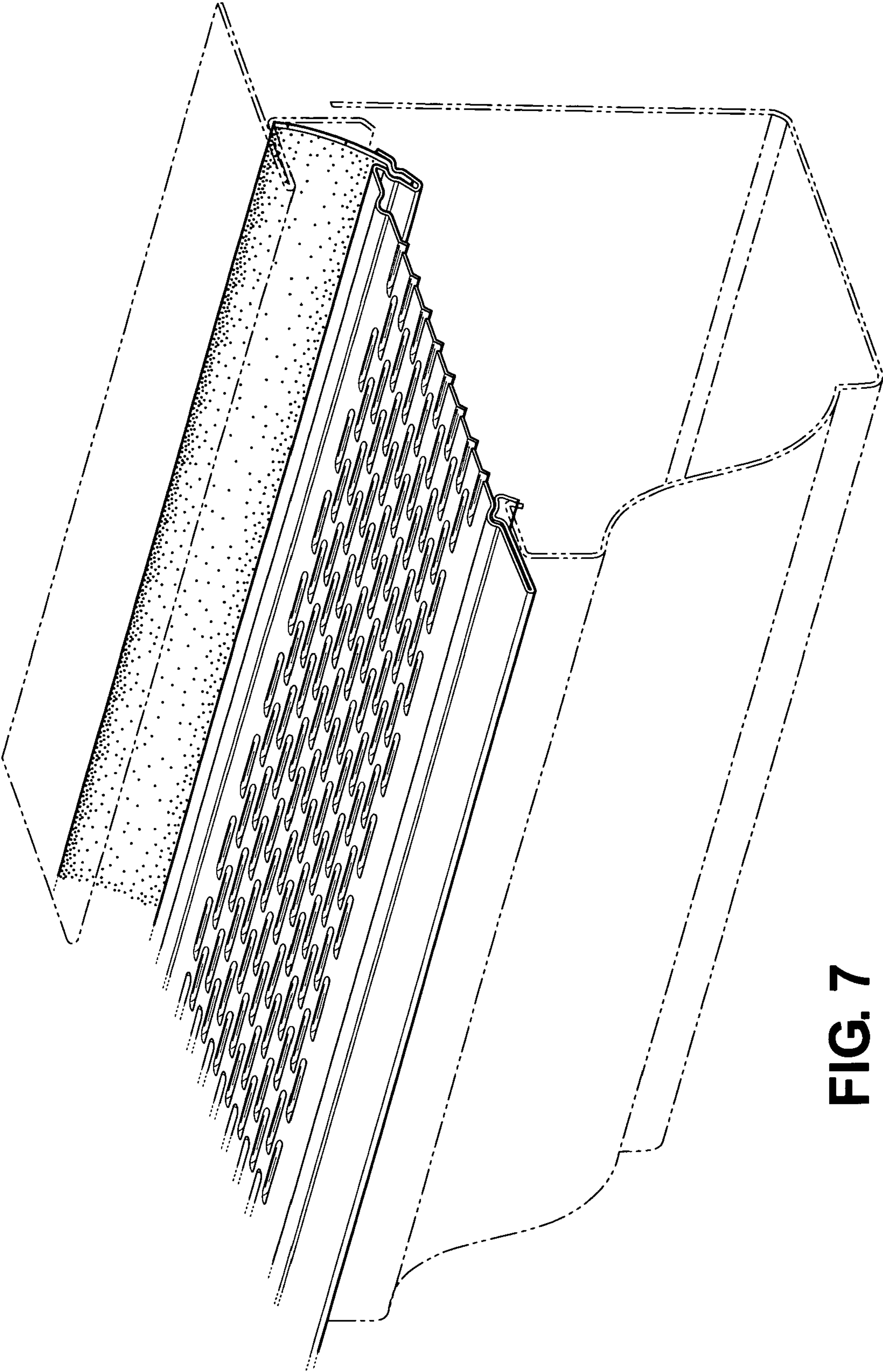


FIG. 7

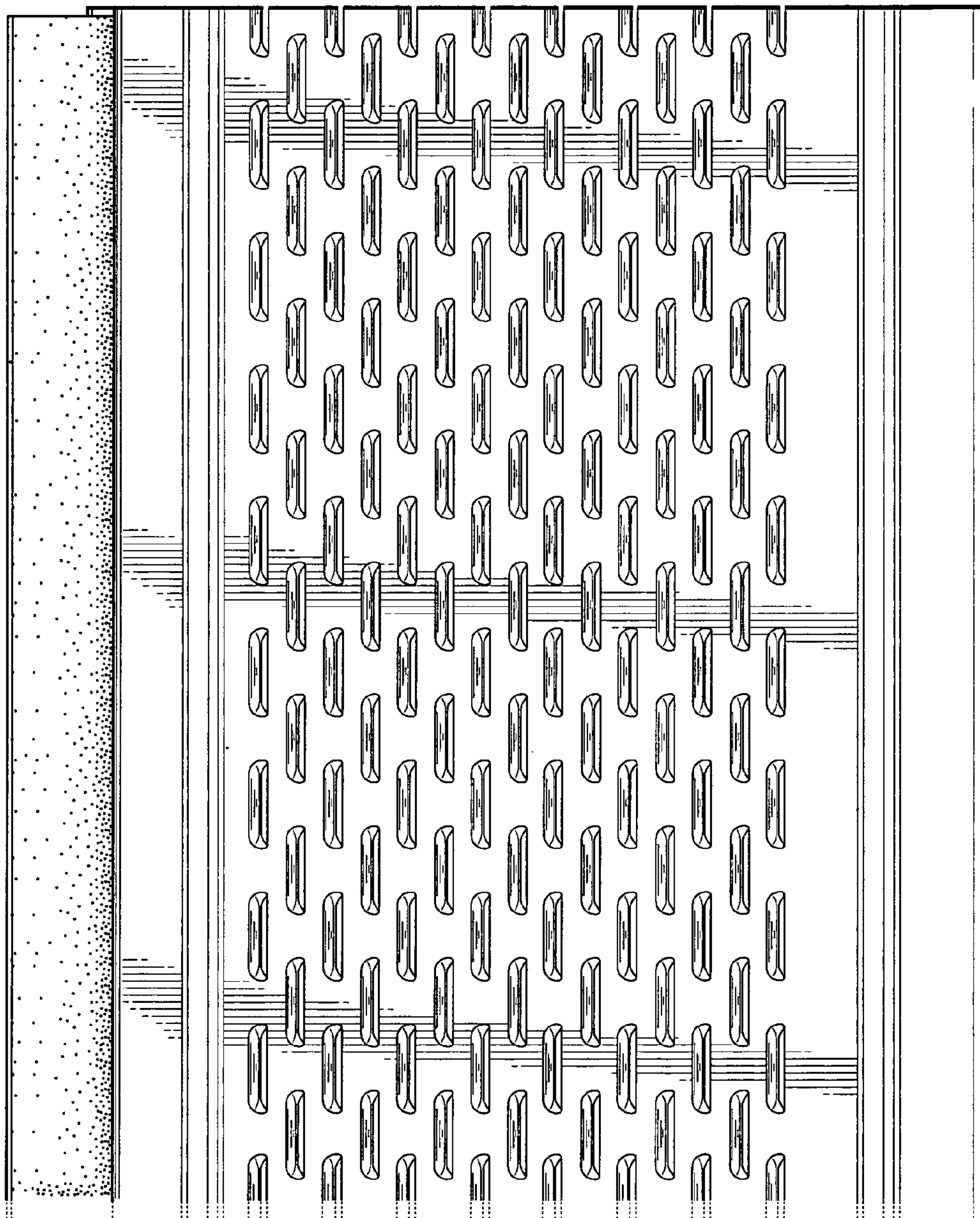


FIG. 8

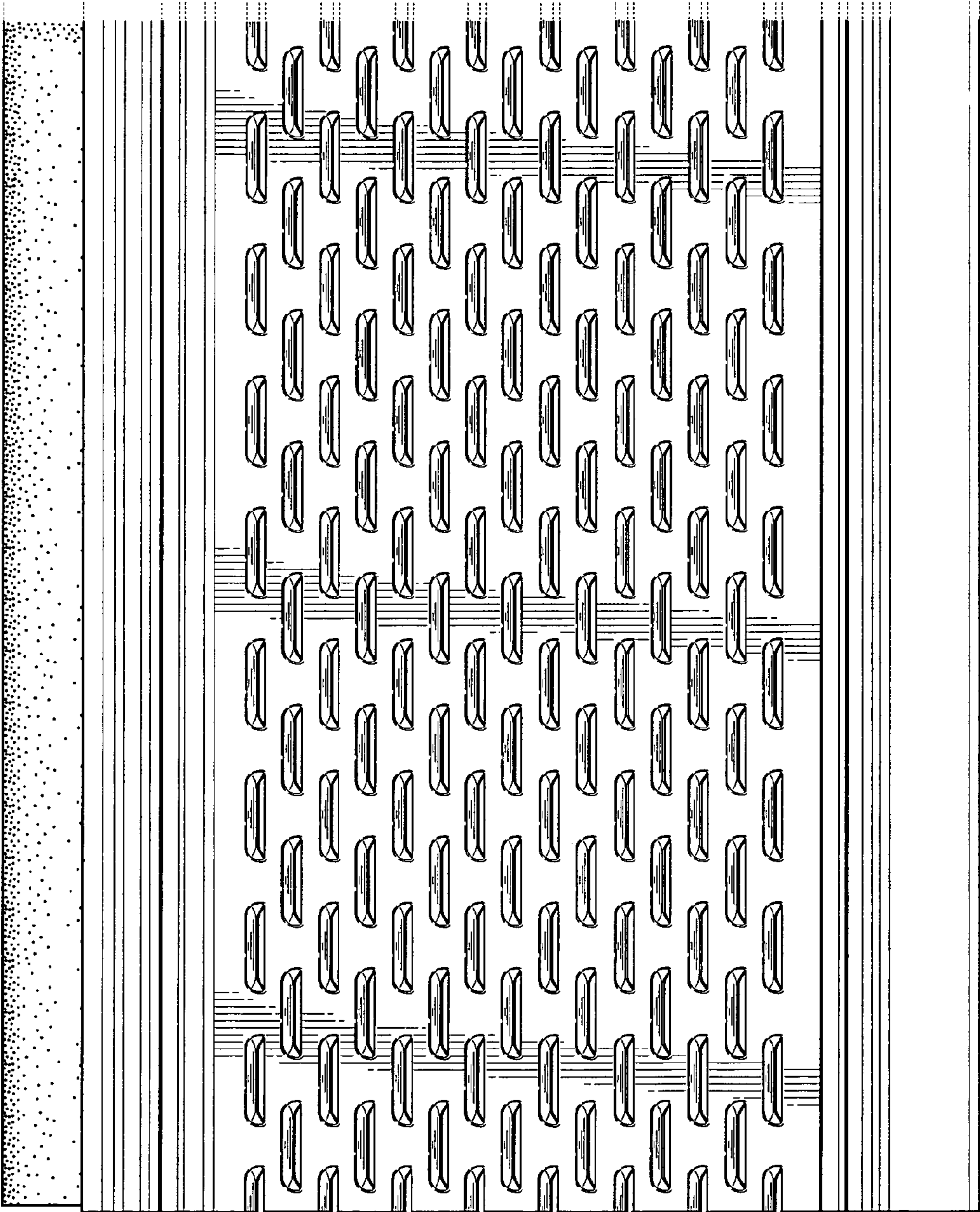


FIG. 9

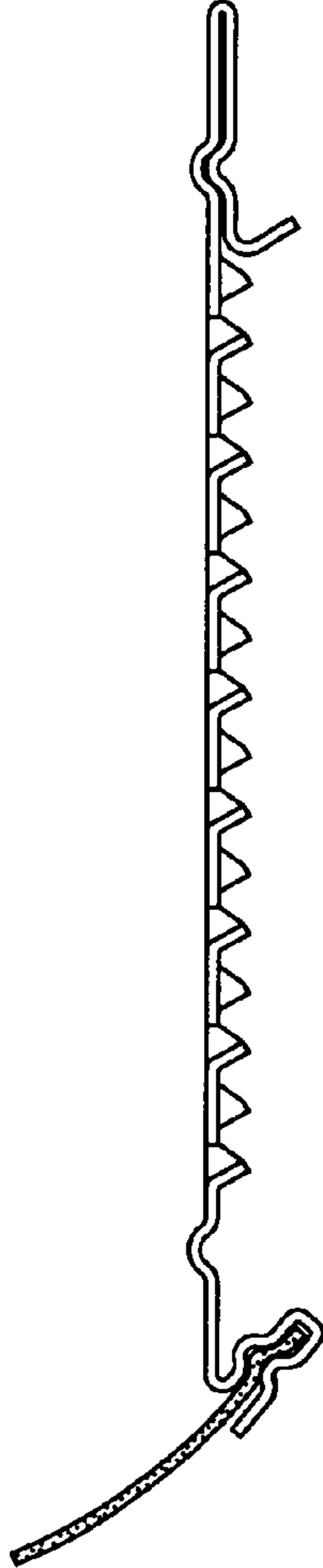


FIG. 10

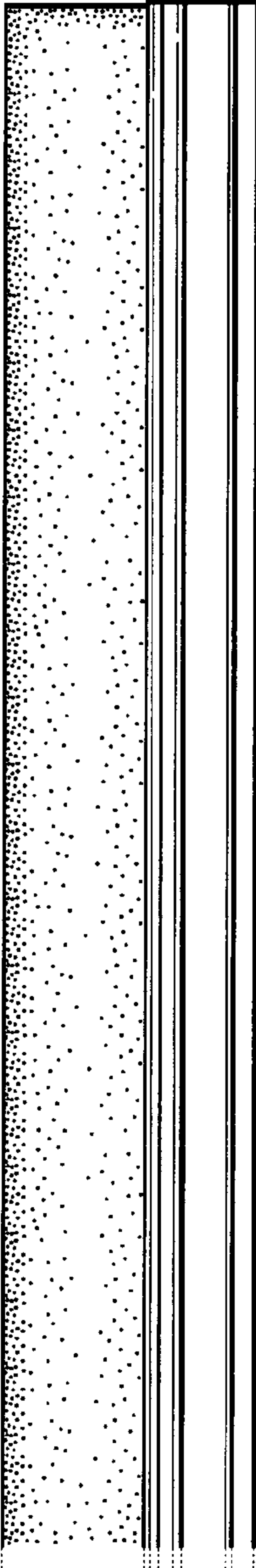


FIG. 11

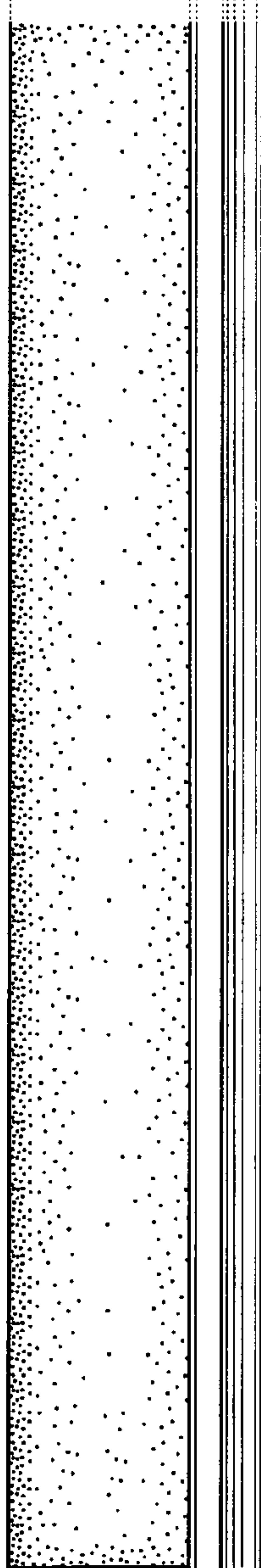


FIG. 12