



US00D623278S

(12) **United States Design Patent**  
**Eilertson et al.**

(10) **Patent No.:** **US D623,278 S**

(45) **Date of Patent:** **\*\* Sep. 7, 2010**

(54) **WATERING HOSE**

D499,465 S 12/2004 Paul, III

(75) Inventors: **Ronald A. Eilertson**, Mansfield, MA (US); **Timothy L. Chapman**, Humbolt, TN (US)

(73) Assignee: **Teknor Apex Company**, Pawtucket, RI (US)

(\*\*) Term: **14 Years**

(21) Appl. No.: **29/357,215**

(22) Filed: **Mar. 9, 2010**

**Related U.S. Application Data**

(62) Division of application No. 29/286,353, filed on May 2, 2007, now Pat. No. Des. 612,917.

(51) **LOC (9) Cl.** ..... **23-01**

(52) **U.S. Cl.** ..... **D23/266**

(58) **Field of Classification Search** ..... D23/259–269,  
D23/285, 303, 337, 356; 138/109, 110, 119,  
138/124, 128, 134, 135, 137–146, DIG. 8;  
239/542

See application file for complete search history.

(56) **References Cited**

**U.S. PATENT DOCUMENTS**

D26,562 S *	1/1897	Pike	.....	D23/266
D40,763 S *	7/1910	Bowers	.....	D23/266
D46,944 S	2/1915	Coughlin		
D52,568 S	10/1918	Hallgreen		
D244,033 S	4/1977	Elson		
D296,355 S	6/1988	Kanao		
D413,657 S	9/1999	Lidgett		
D419,653 S	1/2000	Lidgett		
D425,184 S	5/2000	Lidgett		
D454,178 S *	3/2002	Speicher	.....	D23/266
D469,520 S	1/2003	McLean		
D475,439 S	6/2003	Lin		
D478,969 S	8/2003	Mezzalira		
D498,825 S	11/2004	Fu		

**OTHER PUBLICATIONS**

Ames True Temper, "Ames Resources Hose Catalog", "http://www.ames.com/Resources/Hose%20Reels.pdr", Jan. 16, 2008.

Teknor Apex Company, "The Power of Progress 2007 Apex Garden Hose Program", 2007, Published in: US.

Colorite, "The World's Largest Manufacturer of Drinking Water Safe Hose", , pp. 1-2.

(Continued)

*Primary Examiner*—Daniel D Bui

*Assistant Examiner*—Thomas J Johannes

(74) *Attorney, Agent, or Firm*—Chace Ruttenberg & Freedman, LLP

(57) **CLAIM**

We claim the ornamental design for a watering hose, as shown and described.

**DESCRIPTION**

FIG. 1 is a top, end, side perspective view of a watering hose showing our new design;

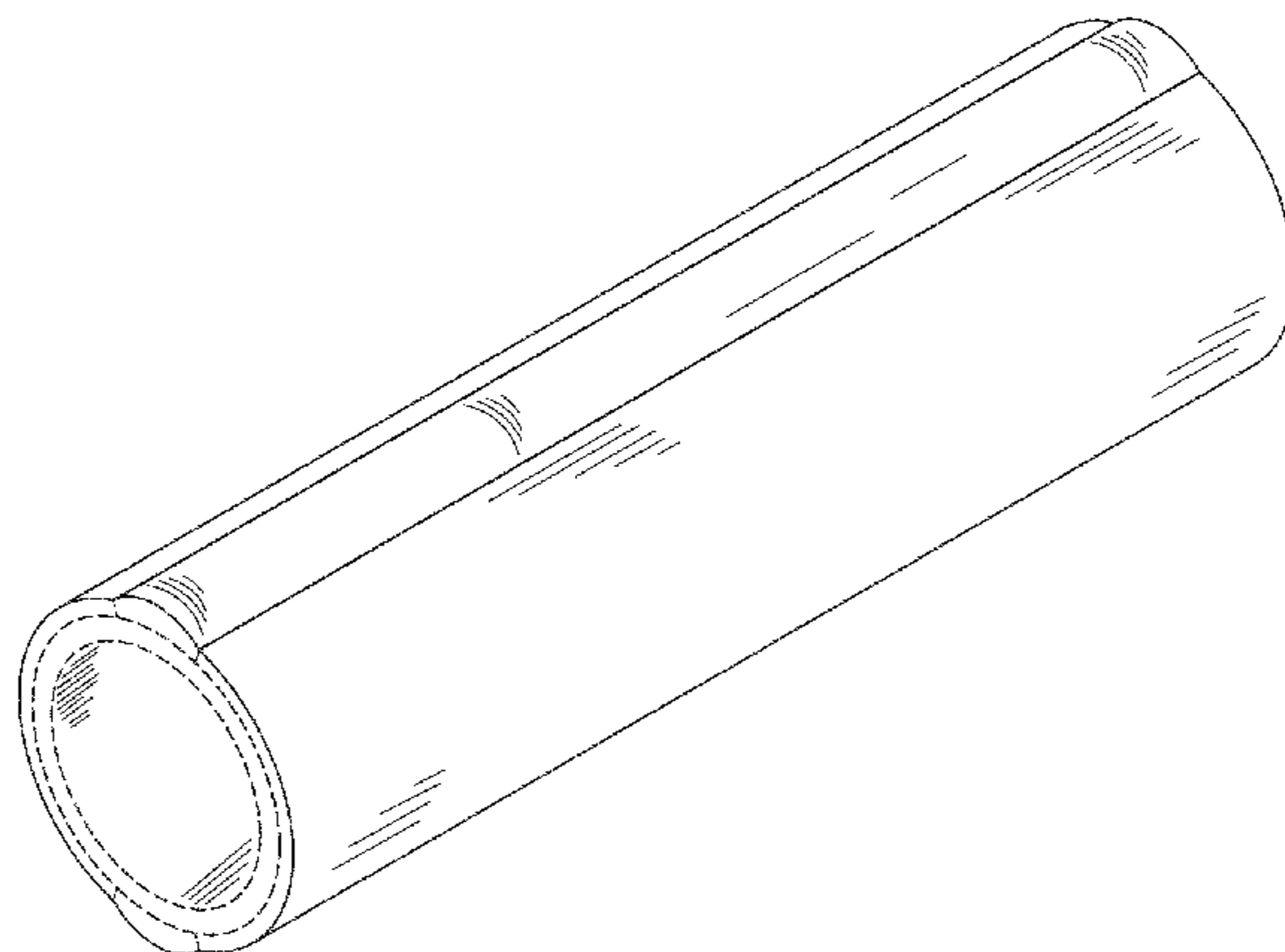
FIG. 2 is a side view thereof, with the opposite side being a mirror image thereto;

FIG. 3 is an end view thereof, with the opposite end being a mirror image thereto; and,

FIG. 4 is a top view thereof, with the bottom being a mirror image thereto.

The broken line disclosures of the internal hose diameter and structure show unclaimed detail only and form no part of the claimed design.

**1 Claim, 2 Drawing Sheets**



OTHER PUBLICATIONS

Flexon Industries, "Flexon Hose Catalog", 2005, p. 12, Published in: US.

Gilmour Manufacturing Company, "Gilmour Product Catalog", 2007, p. 34, Published in: US.

Gardena, "Gardena—Products: Detailed view", "<http://www.gardena.com/servlet/ProductDisplay?catalogId=10056&storeId=10056&produ...>", Jan. 16, 2008, Published in: Canada.

Home Depot, "Home Improvement, Home Renovation, Tools, & Hardware | Home Depot Canada", "<http://www.homedepot.ca/webapp/wcs/stores/servlet/PrintDetailDisplay?catalogId=10051...>", Jan. 16, 2008, Published in: Canada.

Gardena, "Garden Flex Hose", Jan. 16, 2008, Published in: Canada.

Parker Hannifin, "Parker Hannifin Catalog", 2004, Published in: US.

Swan Hose, "Swan Hose Catalog 2000", 00/00/2000, pp. 1, 3.

\* cited by examiner

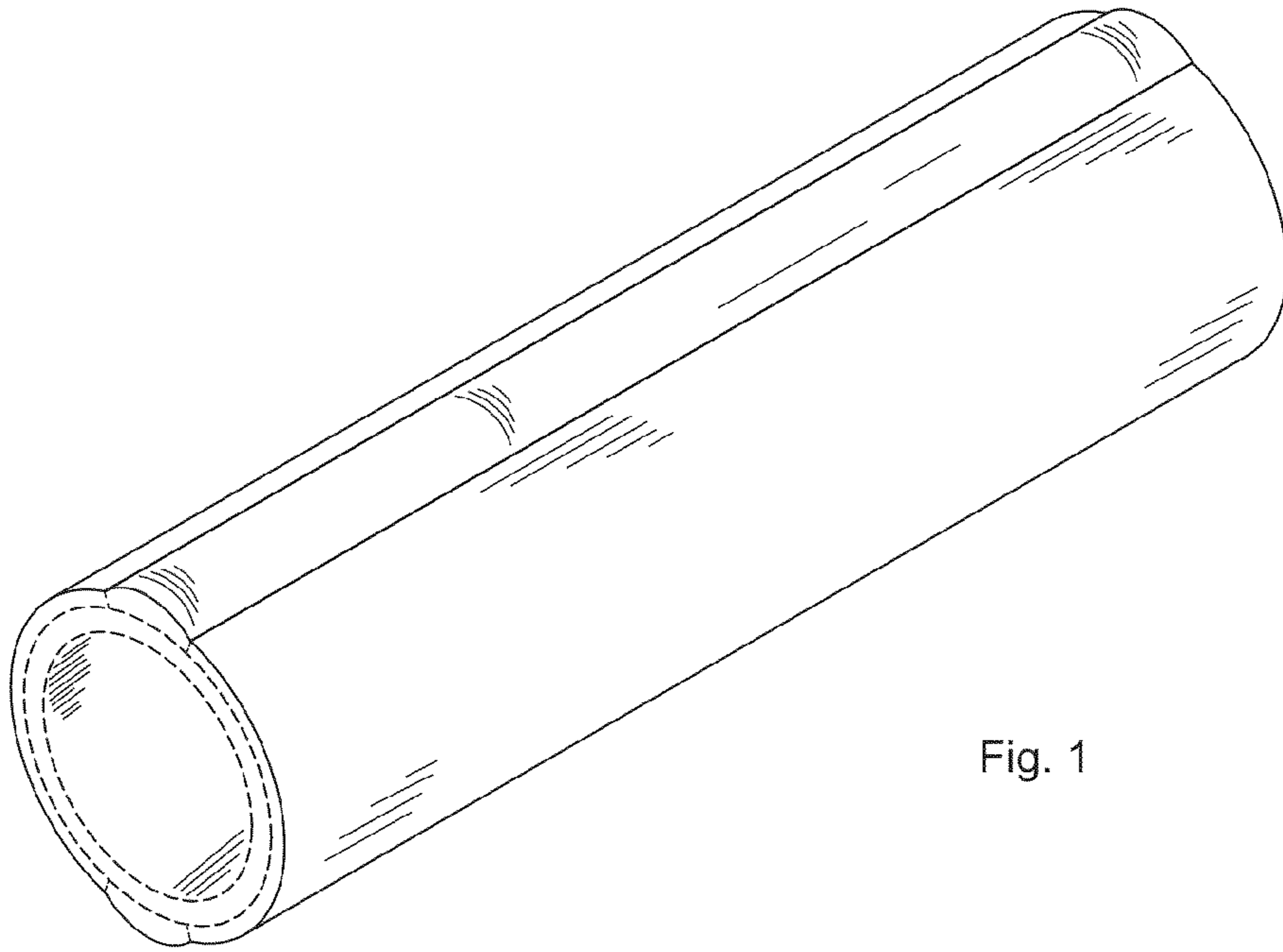


Fig. 1

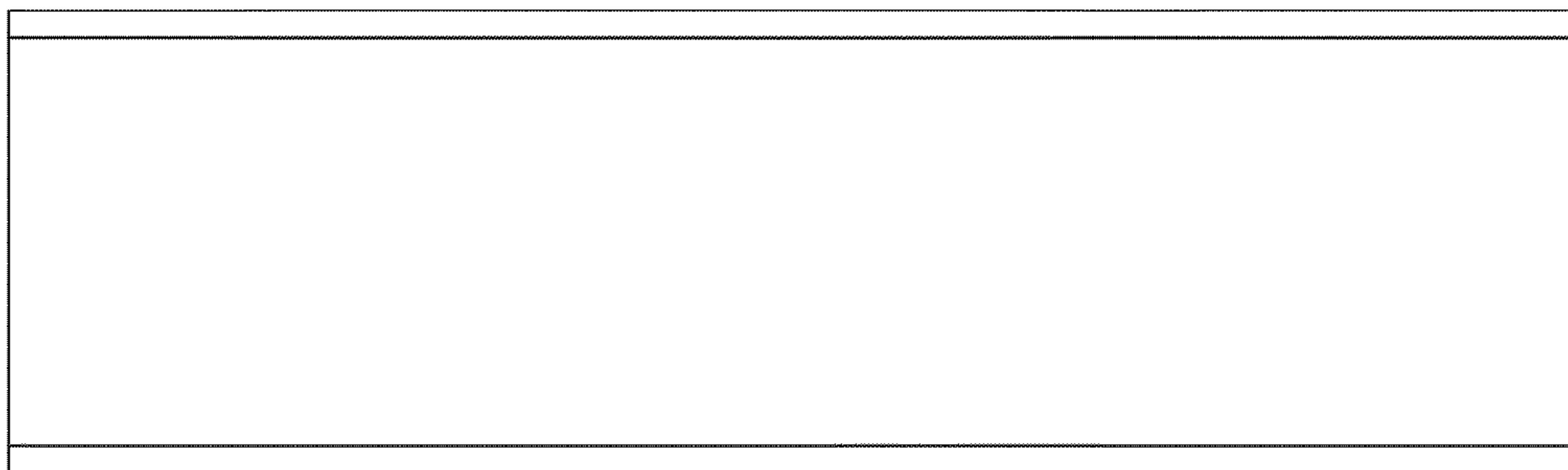


Fig. 2

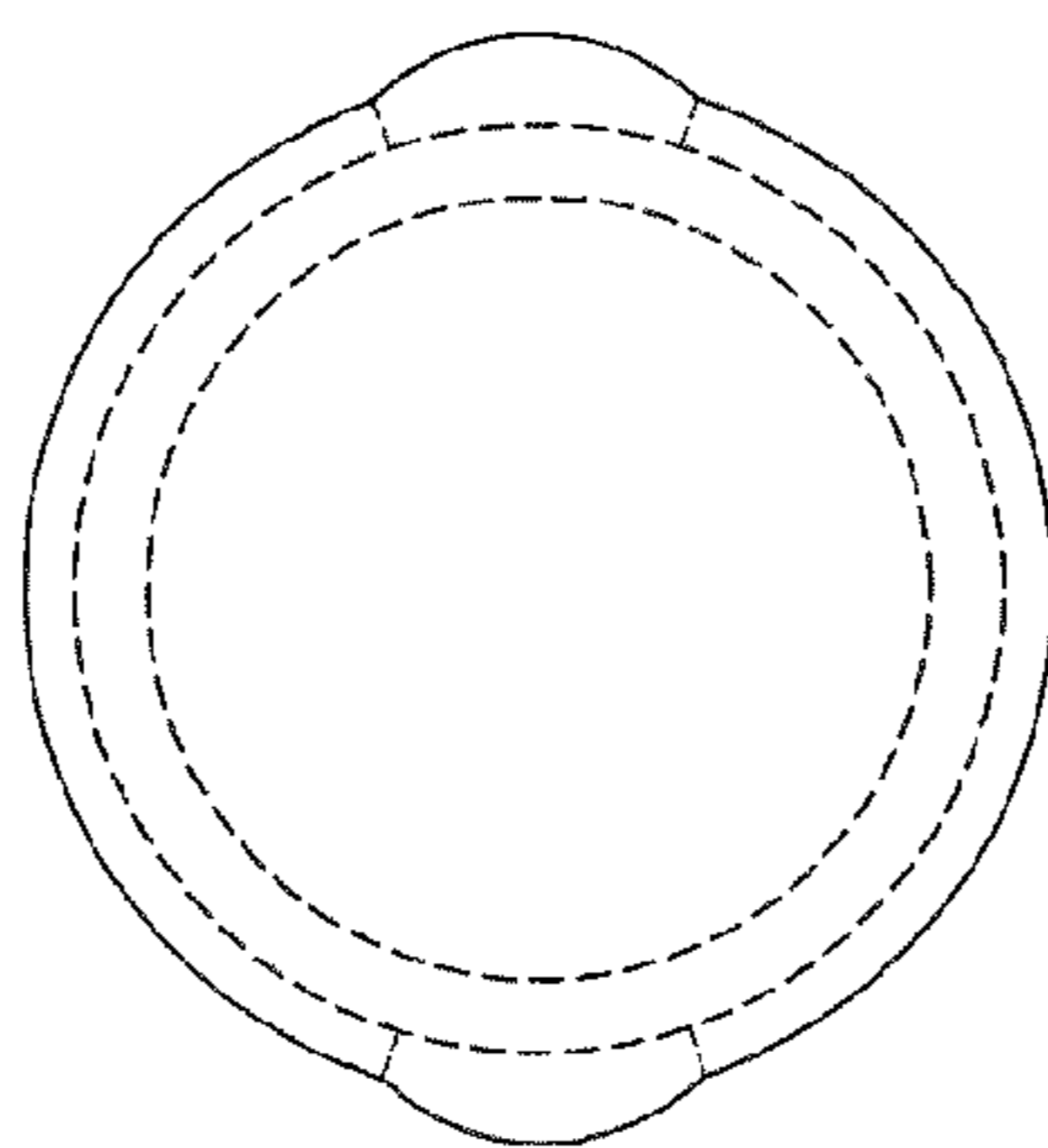


Fig. 3

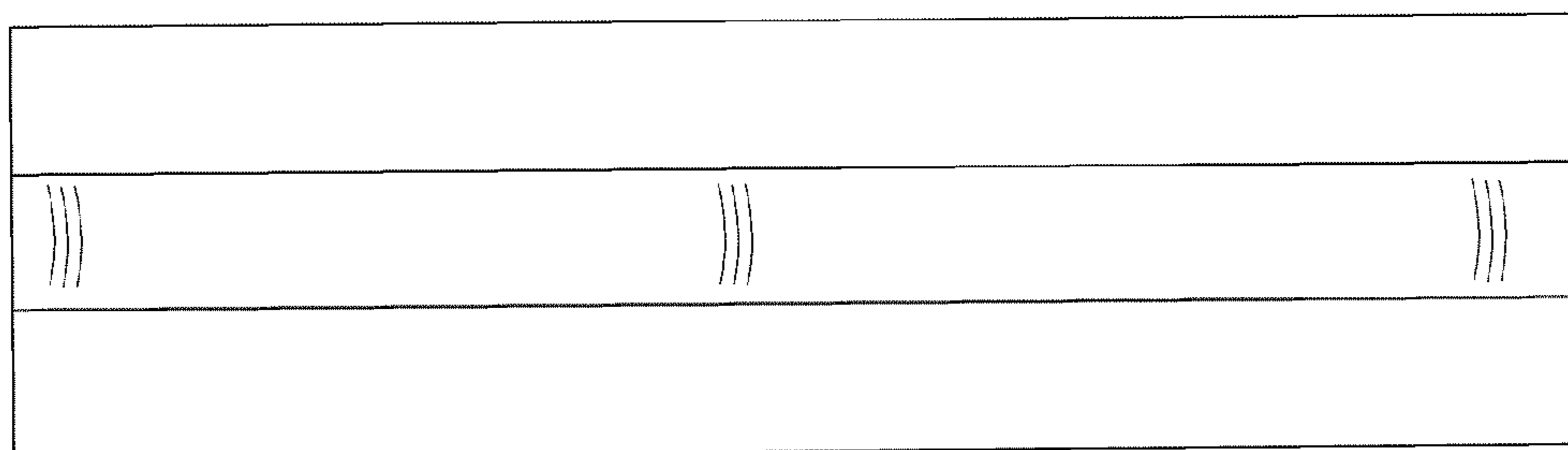


Fig. 4