



US00D623277S

(12) **United States Design Patent**
Guzzoni et al.

(10) **Patent No.:** **US D623,277 S**

(45) **Date of Patent:** **** Sep. 7, 2010**

(54) **PIPE COUPLING**

(75) Inventors: **Paolo Guzzoni**, Brescia (IT); **Michele Bordignon**, Brescia (IT)

(73) Assignee: **Teseo S.r.l.**, Desenzano Del Garda, Brescia (IT)

(**) Term: **14 Years**

(21) Appl. No.: **29/329,108**

(22) Filed: **Dec. 9, 2008**

(30) **Foreign Application Priority Data**

Jun. 10, 2008 (IT) BS2008O0029

(51) **LOC (9) Cl.** **23-01**

(52) **U.S. Cl.** **D23/262**

(58) **Field of Classification Search** D23/259-269;
4/286-287, 295; 138/89, 91; 217/110; 220/288;
222/552, 554, 546, 563; 285/139.1, 148.18,
285/148.23, 242, 251, 256, 331, 353, 423,
285/921; 174/665

See application file for complete search history.

(56) **References Cited**

U.S. PATENT DOCUMENTS

D20,236 S * 10/1890 Kelly D23/262
1,352,118 A * 9/1920 Duw 285/417
2,198,996 A * 4/1940 Guarnaschelli 285/254
3,669,473 A * 6/1972 Martin et al. 285/197
3,678,560 A * 7/1972 Dufour et al. 29/235
D234,462 S * 3/1975 Ahlrot D23/262
4,262,715 A * 4/1981 Hausler et al. 144/208.9

D291,482 S * 8/1987 Vassallo et al. D23/262
4,726,612 A * 2/1988 Picton 285/256
4,846,147 A * 7/1989 Townsend et al. 126/307 R
D430,482 S * 9/2000 Stout, Jr. D8/382
6,179,349 B1 * 1/2001 Guzzoni 285/370
6,732,762 B2 * 5/2004 Russell 138/89
2003/0014855 A1 * 1/2003 Guzzoni 29/525.01
2007/0236010 A1 * 10/2007 Campau 285/242

* cited by examiner

Primary Examiner—T. Chase Nelson

Assistant Examiner—Eric L Goodman

(74) *Attorney, Agent, or Firm*—Shoemaker and Mattare

(57) **CLAIM**

The ornamental design for a pipe coupling, as shown and described.

DESCRIPTION

FIG. 1 is a left side elevational view of a pipe coupling, showing my new design;

FIG. 2 is a top plan view thereof;

FIG. 3 is a front elevational view thereof; the rear elevational view being identical;

FIG. 4 is a bottom plan view thereof;

FIG. 5 is a right side elevational view thereof;

FIG. 6 is a perspective view thereof, from the top, front and left side; and,

FIG. 7 is a perspective view thereof, from the bottom, rear and right side.

1 Claim, 2 Drawing Sheets

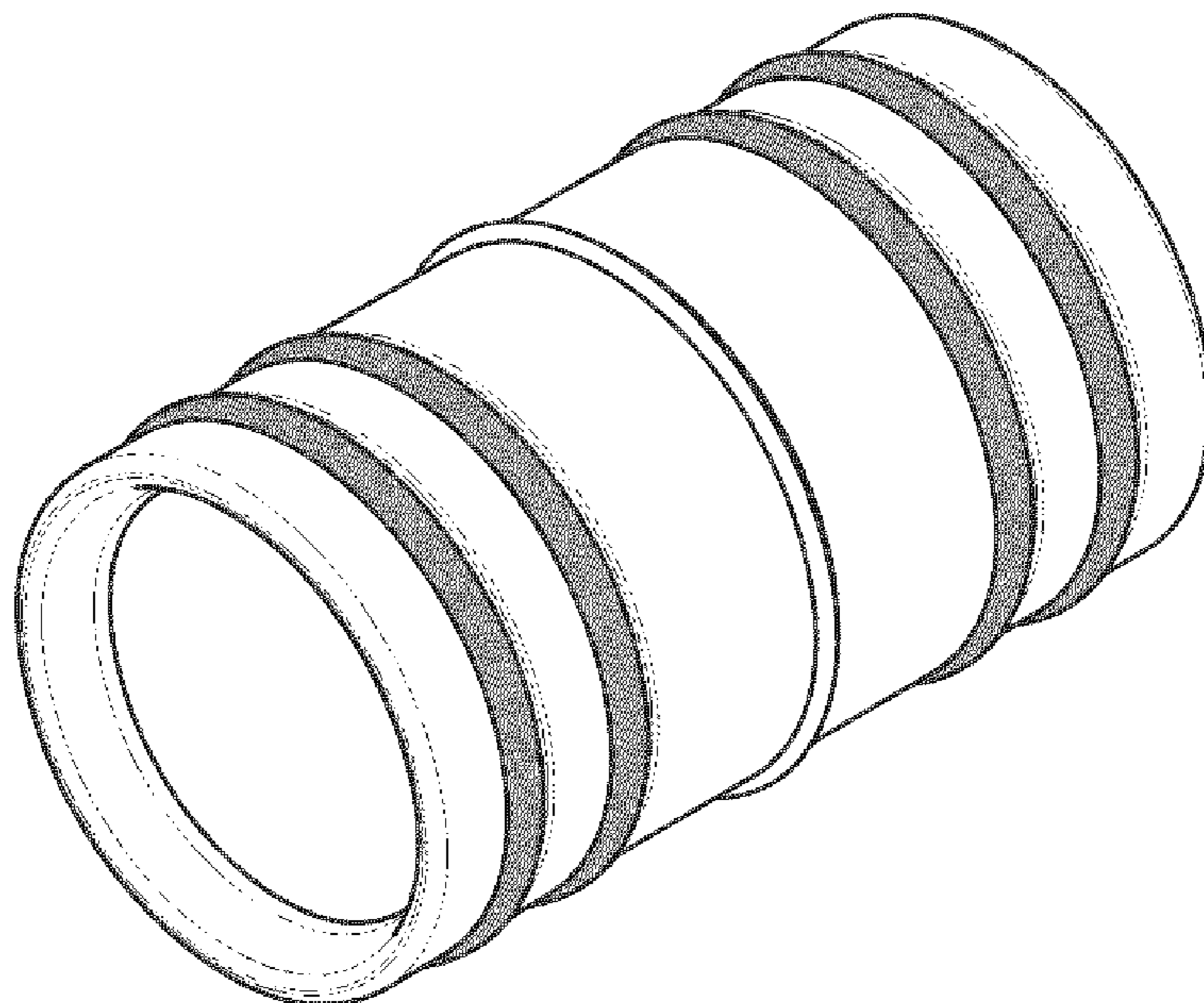


Fig. 2

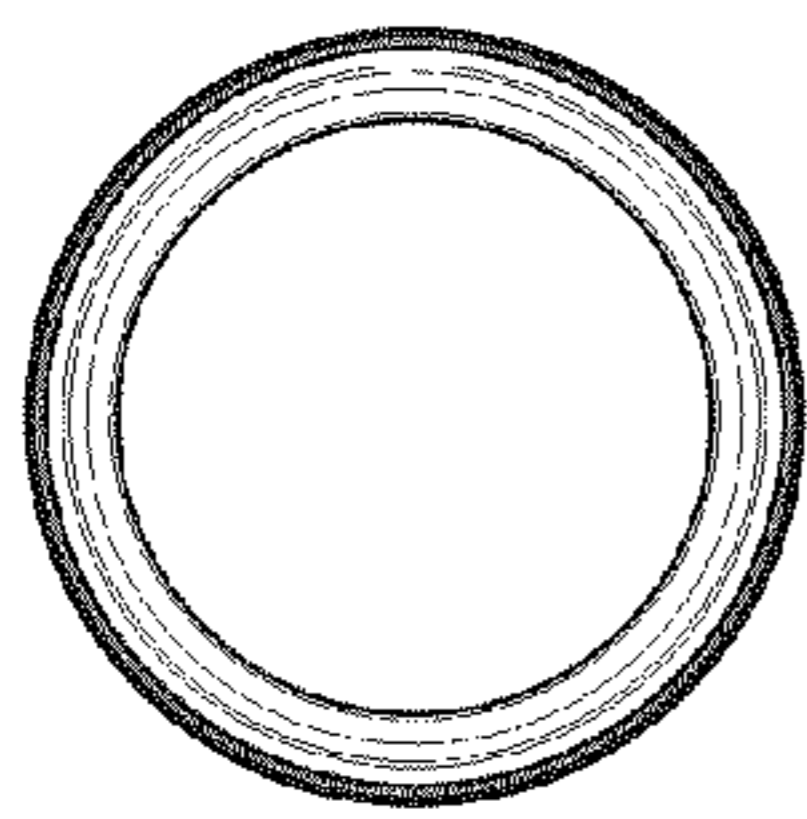
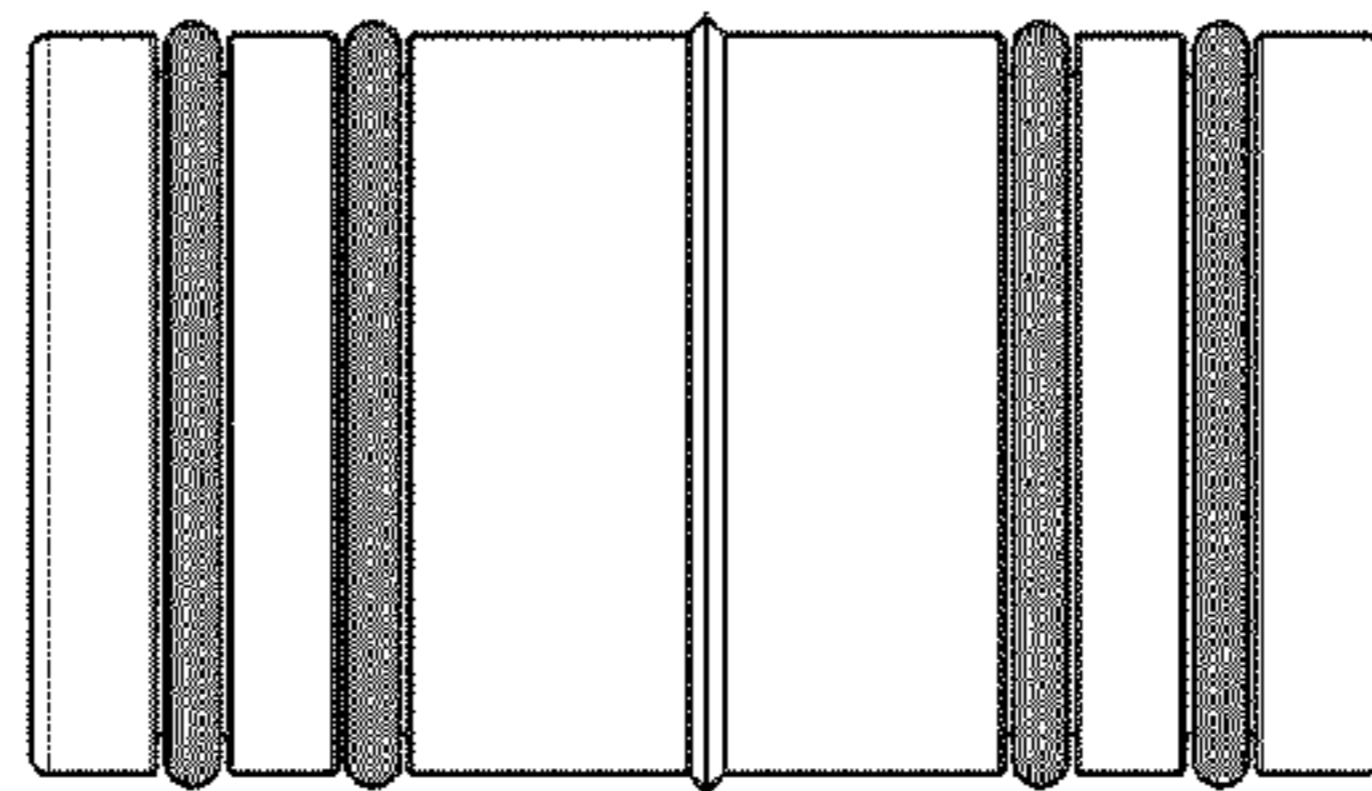


Fig. 1

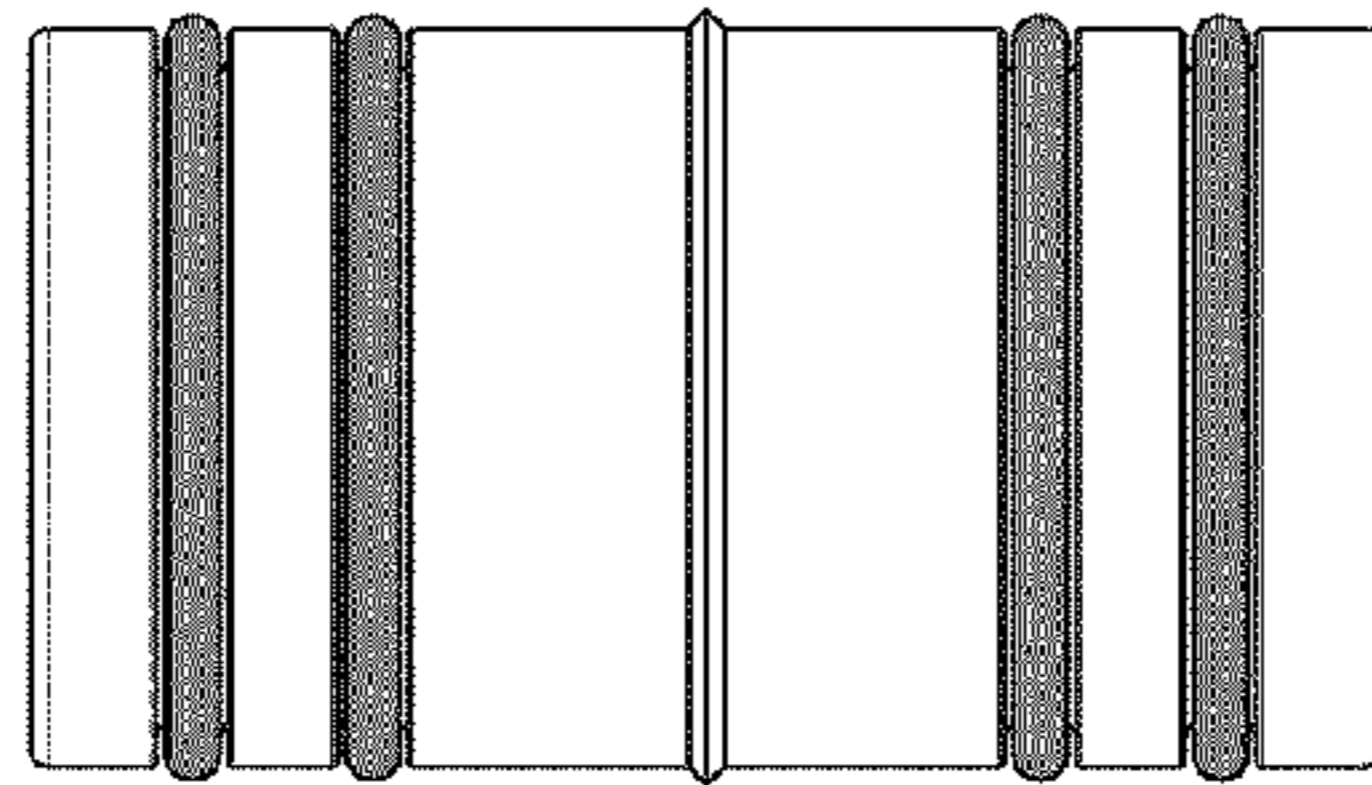


Fig. 3

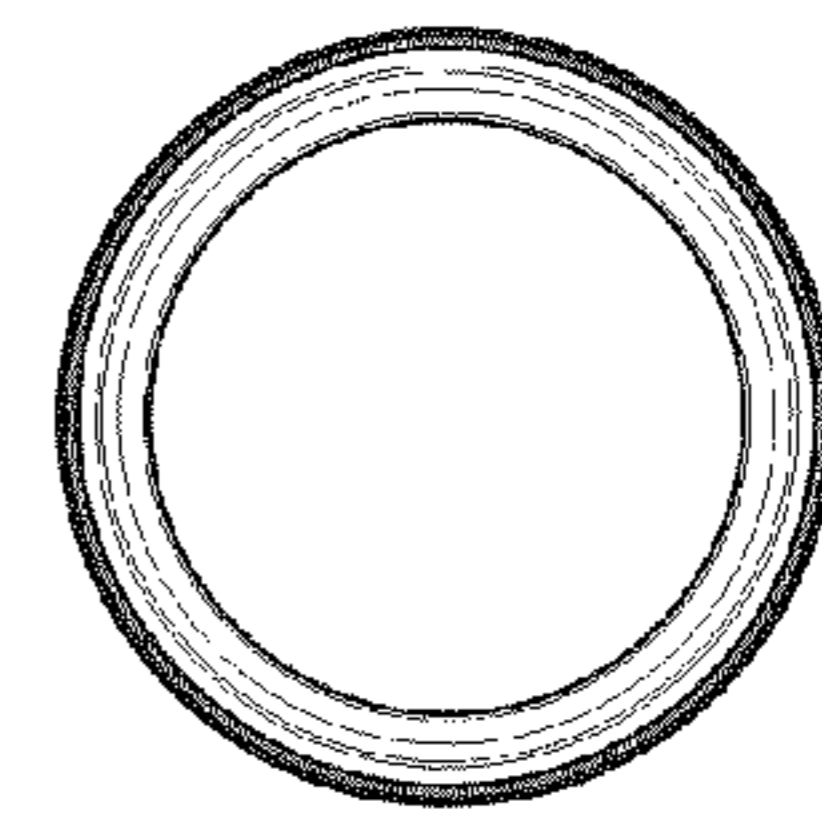


Fig. 5

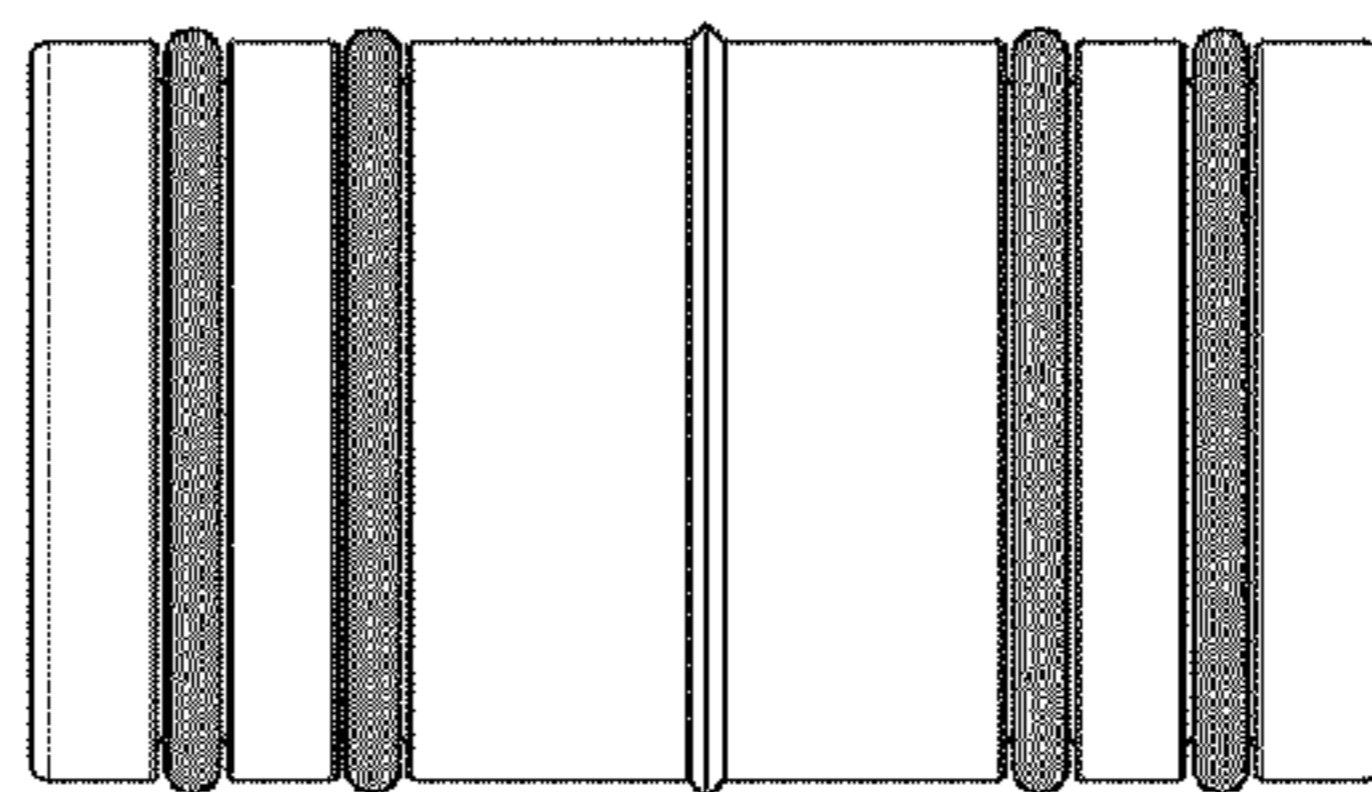


Fig. 4

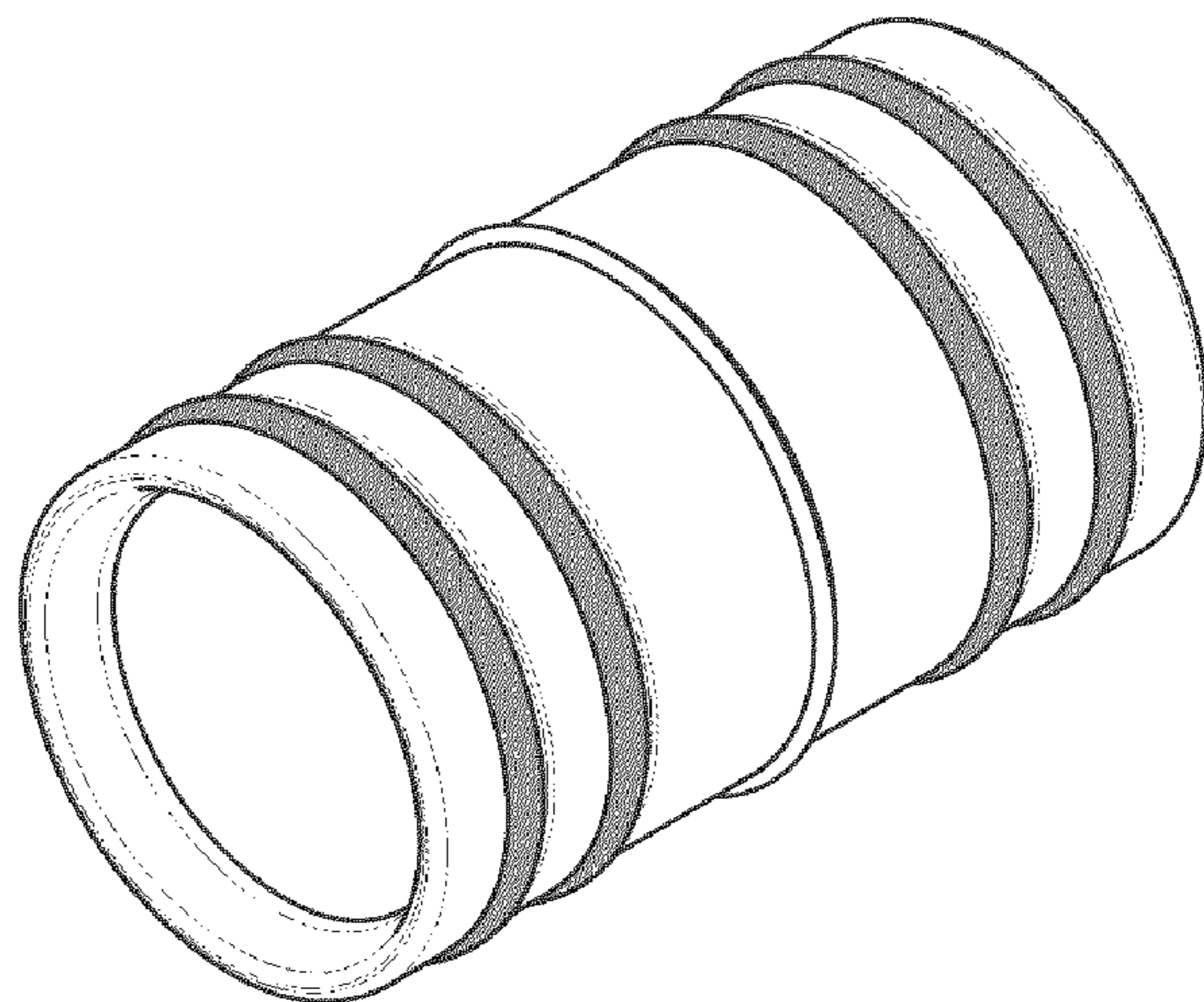


Fig. 6

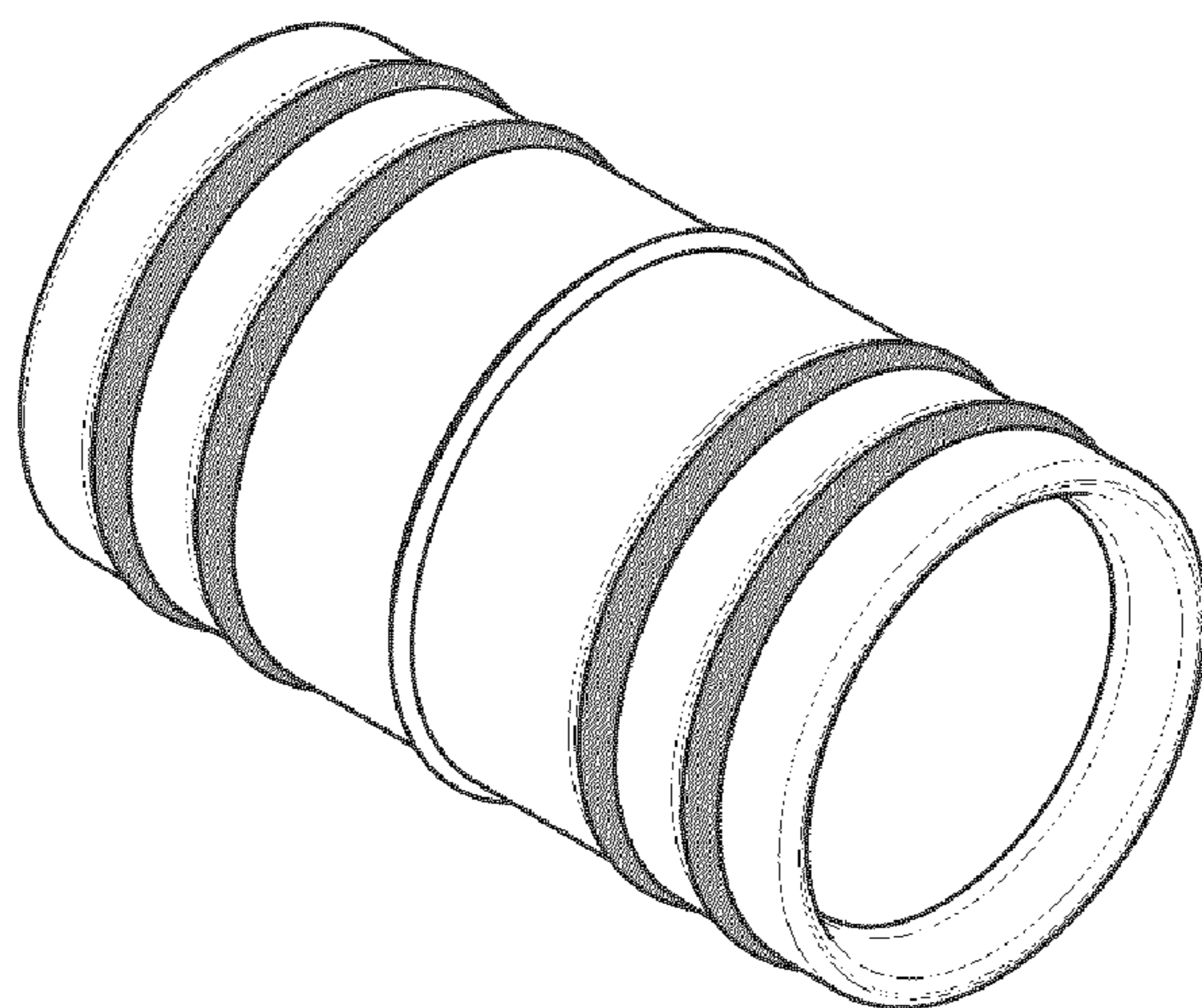


Fig. 7