



US00D623274S

(12) **United States Design Patent**
Cavagna

(10) **Patent No.:** **US D623,274 S**

(45) **Date of Patent:** **** Sep. 7, 2010**

(54) **APPARATUS FOR GAS DELIVERY**

(75) Inventor: **Savio Cavagna**, Calcinato (IT)

(73) Assignee: **Cavagna Group S.p.A.**, Calcinato (IT)

(**) Term: **14 Years**

(21) Appl. No.: **29/347,262**

(22) Filed: **Nov. 16, 2009**

Related U.S. Application Data

(62) Division of application No. 29/271,204, filed on Jan. 12, 2007.

Foreign Application Priority Data

Jul. 17, 2006 (EM) 000561741

(51) **LOC (9) Cl.** **23-01**

(52) **U.S. Cl.** **D23/233**

(58) **Field of Classification Search** D23/233–237,
D23/244–249; 137/460, 505.37, 505.42,
137/505.46, 505.47, 607

See application file for complete search history.

(56) **References Cited**

U.S. PATENT DOCUMENTS

D299,517 S * 1/1989 Vigneau D23/235
D361,627 S * 8/1995 Garrard et al. D23/235
D362,298 S * 9/1995 Lee D23/235
D362,488 S * 9/1995 Lee D23/235
D362,712 S * 9/1995 Lee D23/235

D365,632 S * 12/1995 Blasdel et al. D24/128
D370,963 S * 6/1996 Daansen D23/235
D379,845 S * 6/1997 Lee D23/235
D403,050 S * 12/1998 Schlick D23/235
D453,206 S * 1/2002 Hsiao D23/235
D566,593 S * 4/2008 Scheffler D10/81
D603,018 S * 10/2009 Stein D23/235

* cited by examiner

Primary Examiner—Cathron C. Brooks

Assistant Examiner—Maurice Stevens

(74) *Attorney, Agent, or Firm*—Modiano & Associati; Albert Josif; Daniel J. O’Byrne

(57) **CLAIM**

The ornamental design for the “apparatus for gas delivery”, as shown and described.

DESCRIPTION

FIG. 1 is a perspective view of an apparatus for gas delivery, showing my new design;

FIG. 2 is a top plan view thereof;

FIG. 3 is a front elevation view thereof;

FIG. 4 is a rear elevation view thereof;

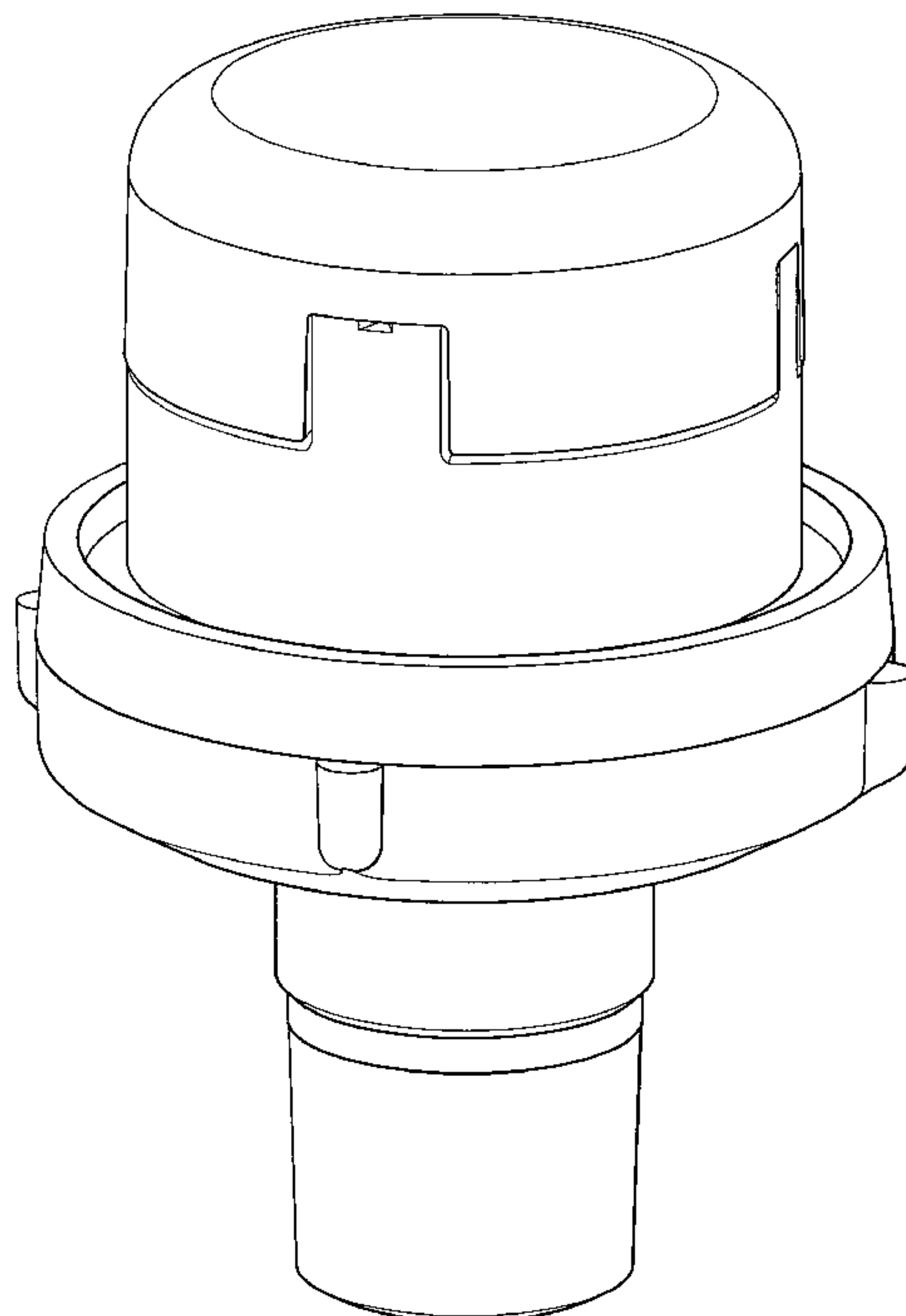
FIG. 5 is a right side elevation thereof;

FIG. 6 is a left side elevation thereof; and,

FIG. 7 is a bottom plan view thereof.

The broken line showing unclaimed portions of the apparatus for gas delivery forms no part of the claimed design.

1 Claim, 7 Drawing Sheets



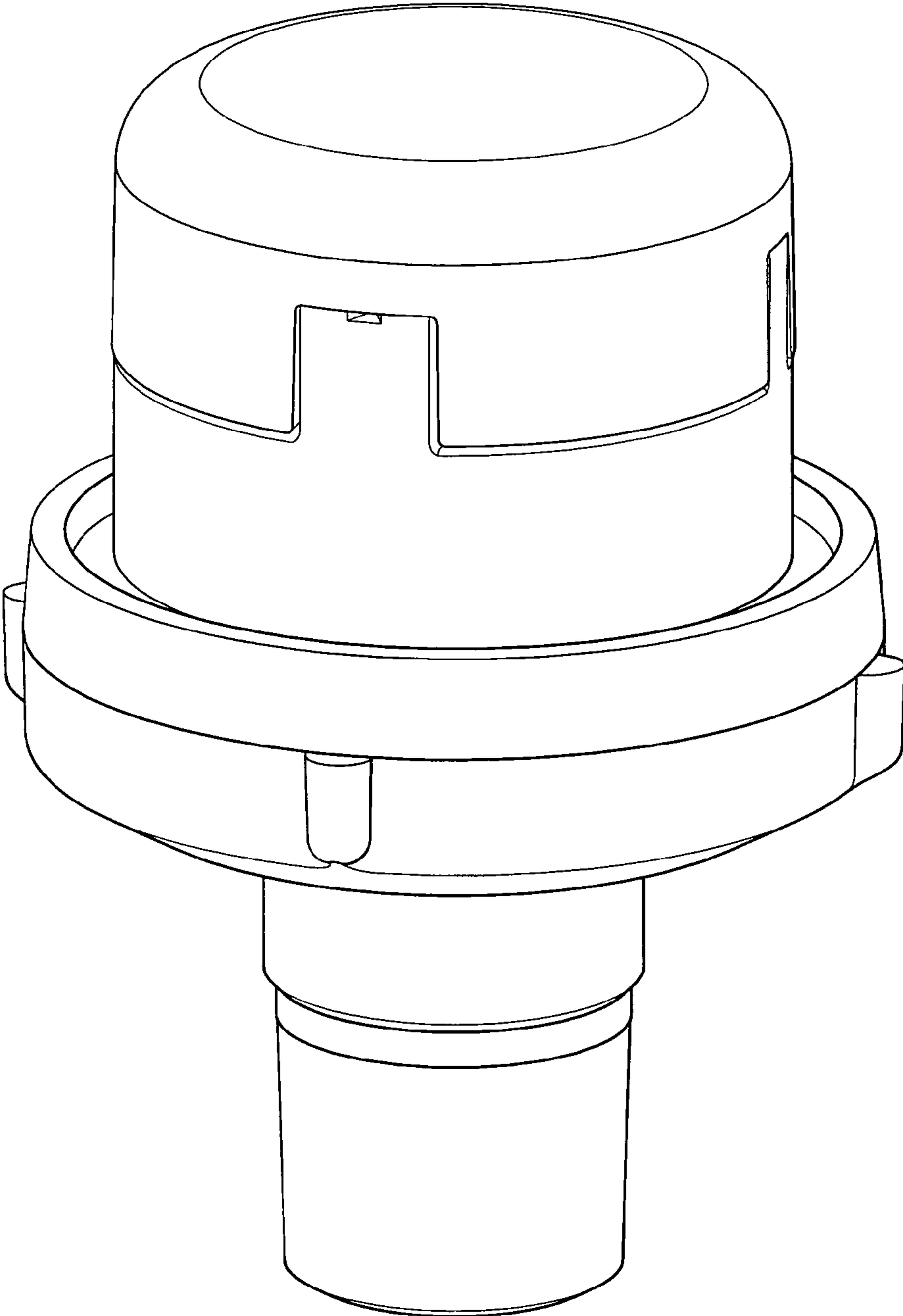


Fig. 1

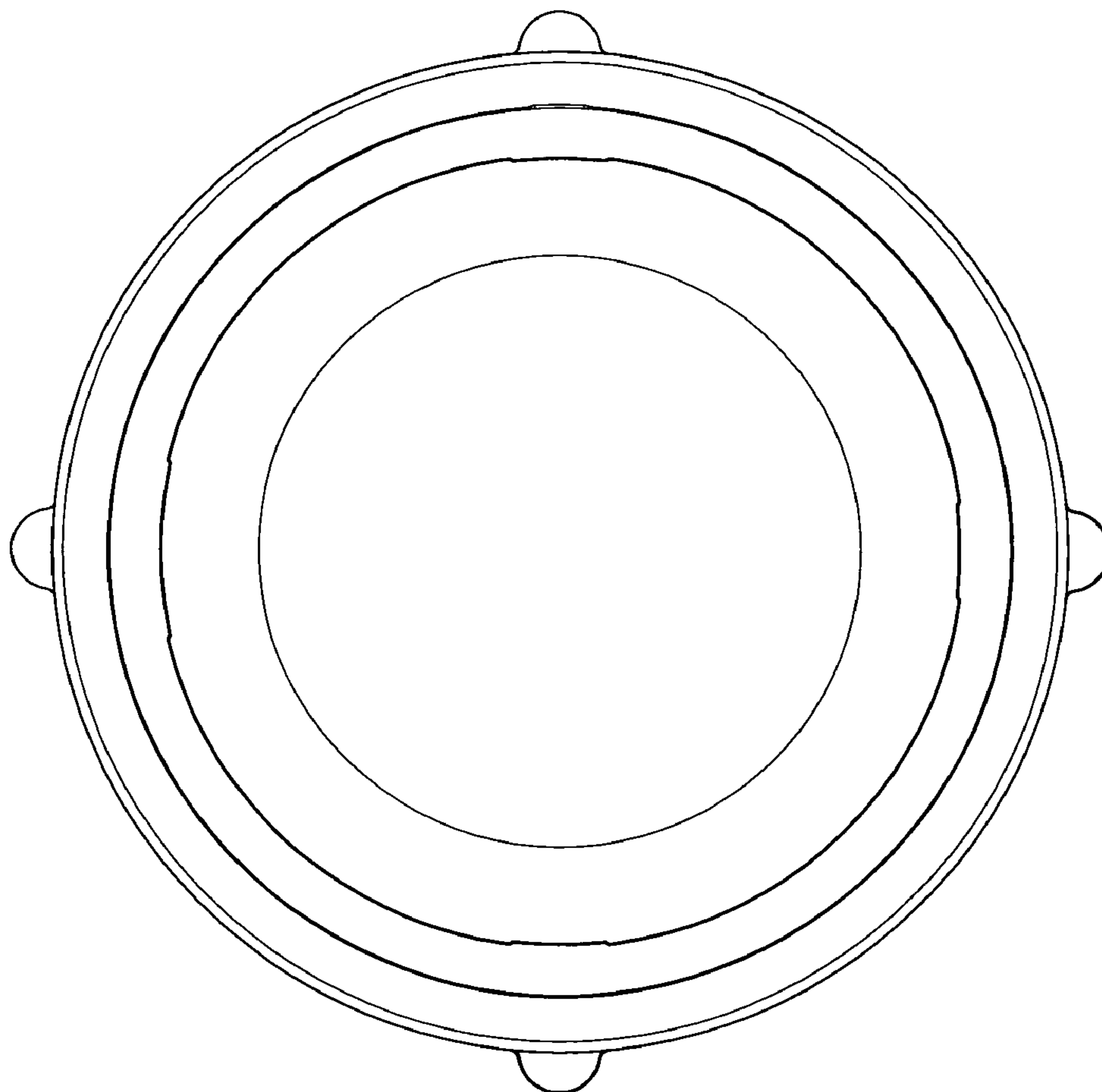


Fig. 2

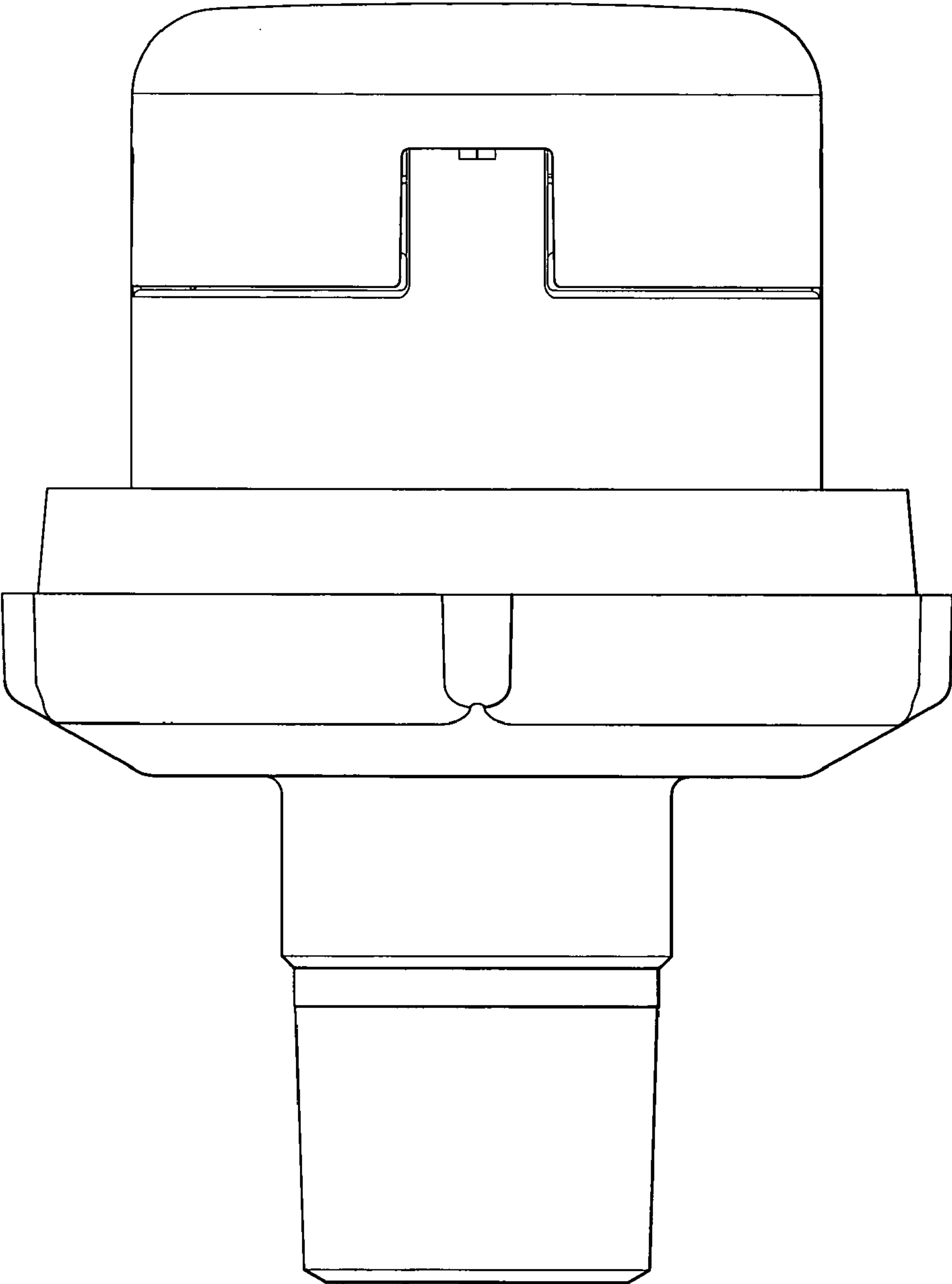


Fig. 3

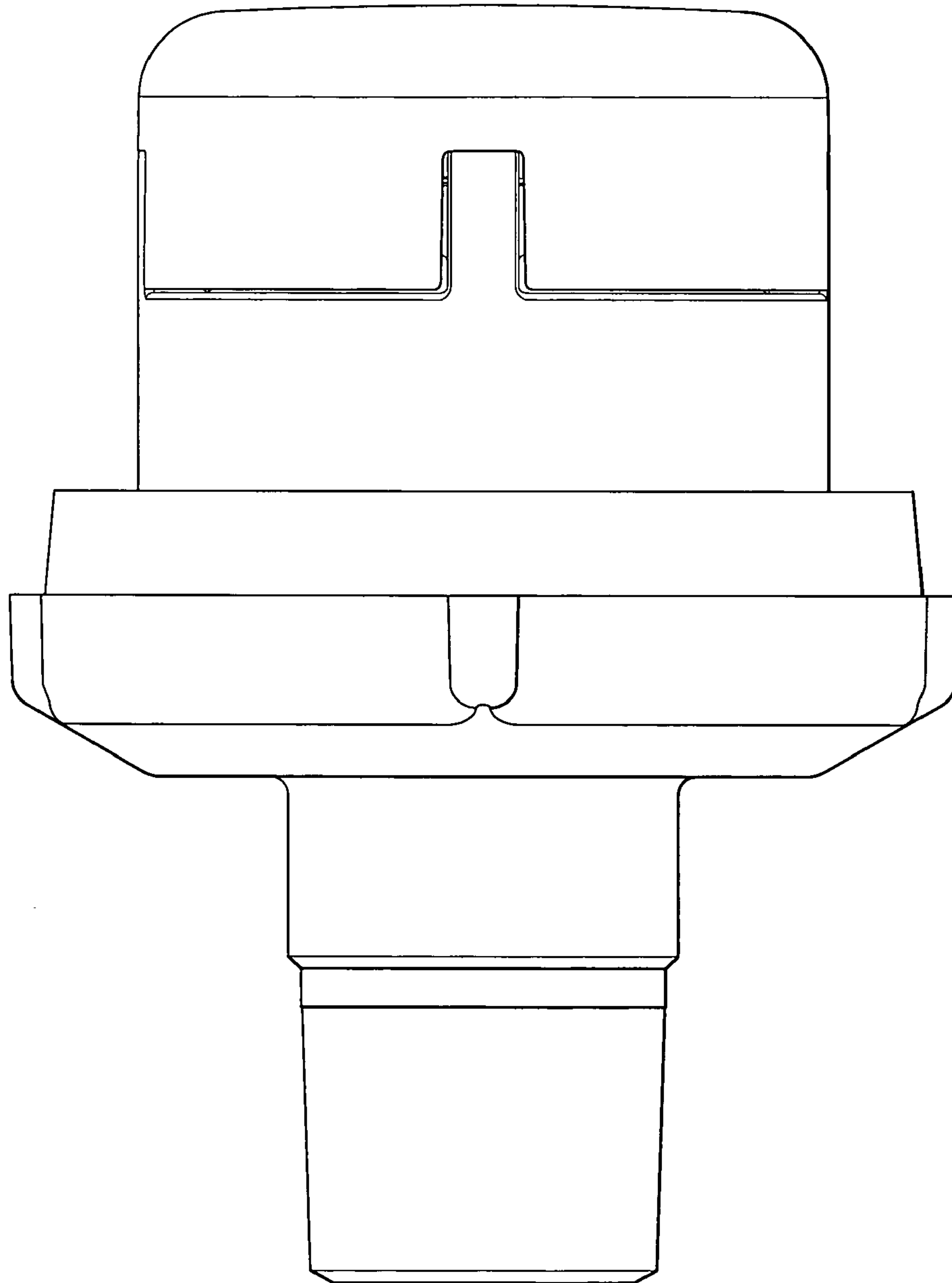


Fig. 4

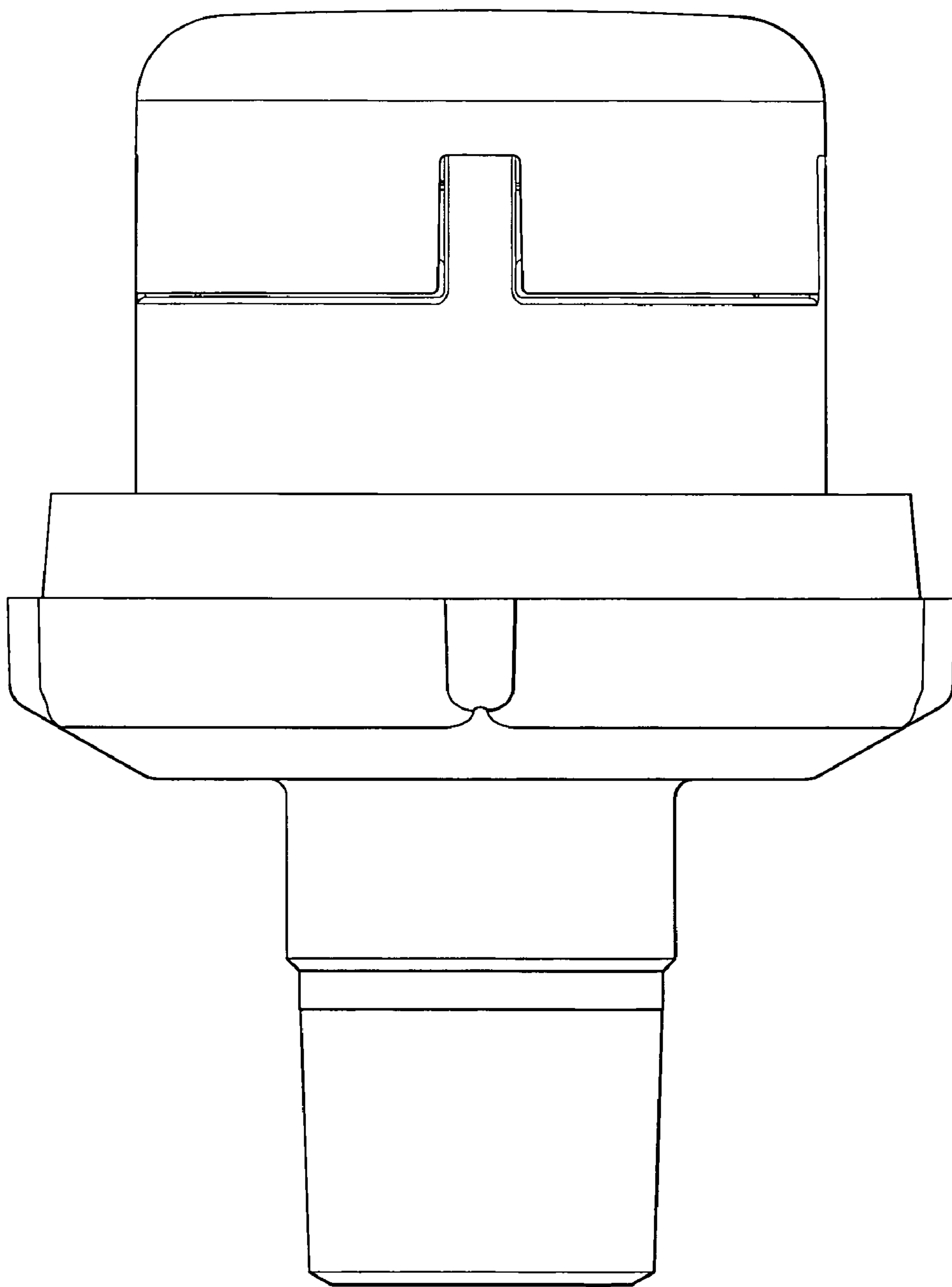


Fig. 5

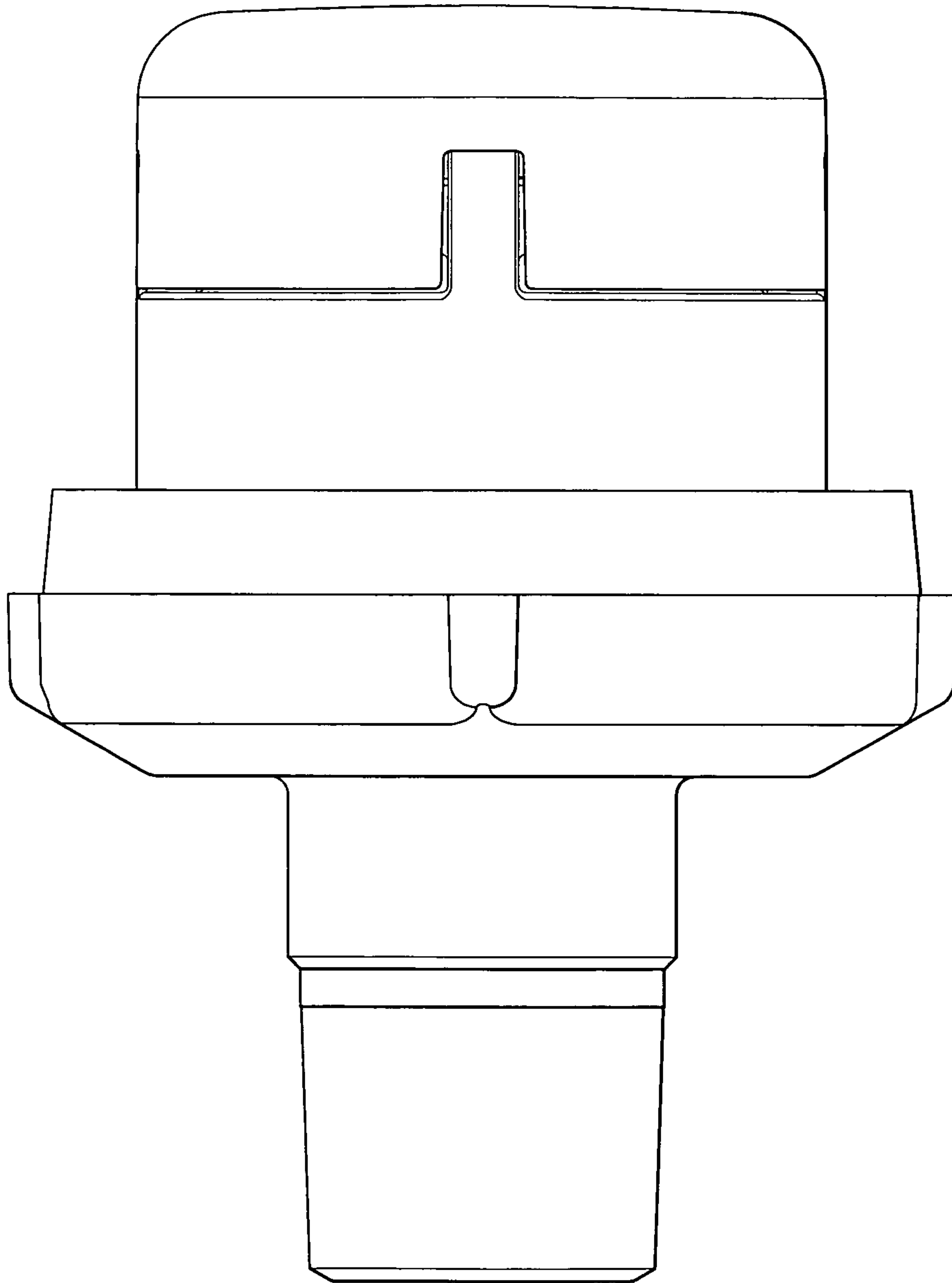


Fig. 6

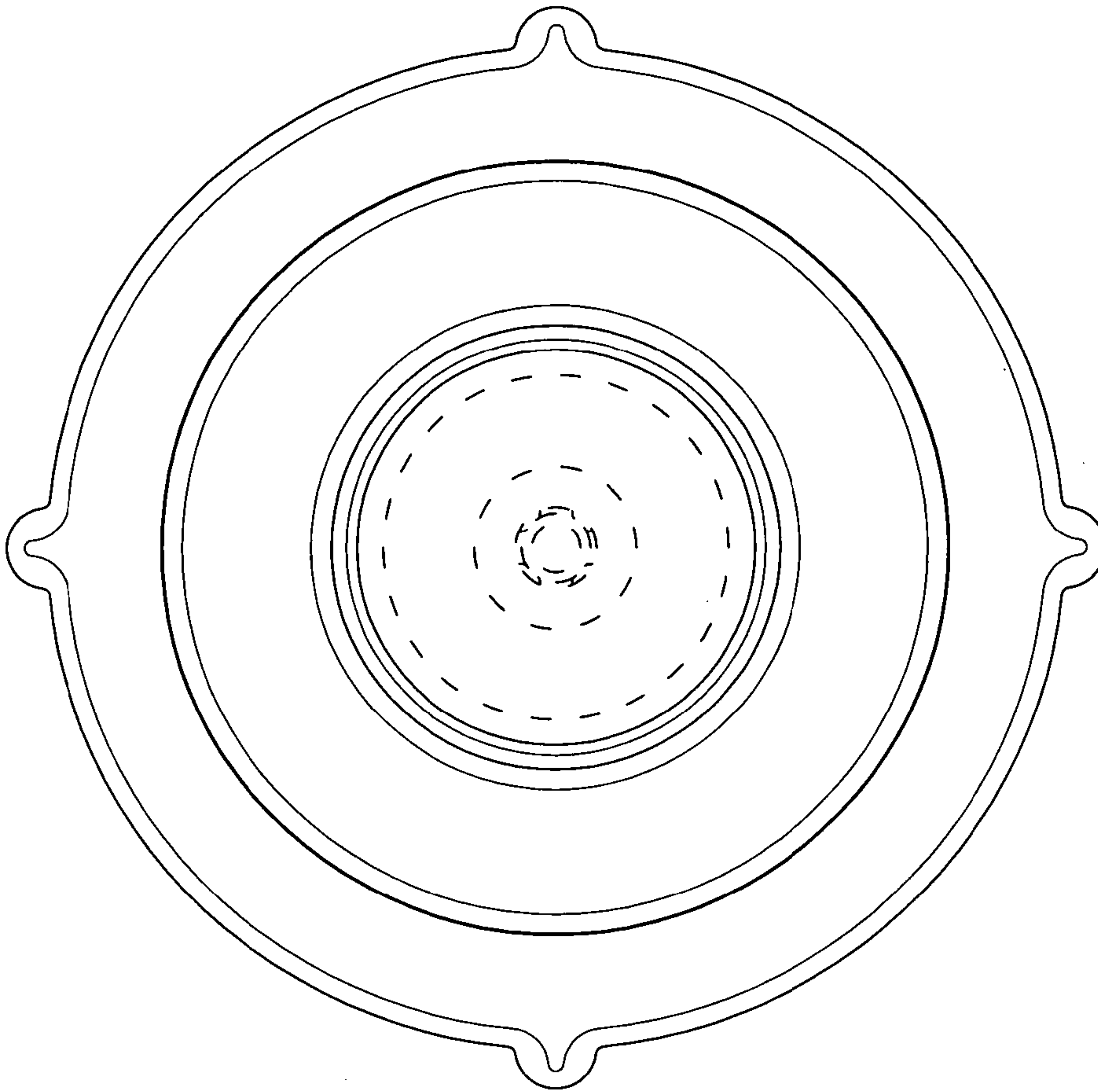


Fig. 7