

US00D623271S

(12) **United States Design Patent**
Yamada

(10) **Patent No.:** **US D623,271 S**

(45) **Date of Patent:** **** Sep. 7, 2010**

(54) **FLOW CONTROL VALVE FOR AIR PRESSURE DEVICE**

(75) Inventor: **Hirosuke Yamada**, Tsukubamirai (JP)

(73) Assignee: **SMC Corporation**, Chiyoda-ku, Tokyo (JP)

(**) Term: **14 Years**

(21) Appl. No.: **29/340,659**

(22) Filed: **Jul. 22, 2009**

(30) **Foreign Application Priority Data**

Feb. 5, 2009 (JP) 2009-002397

(51) **LOC (9) Cl.** **23-01**

(52) **U.S. Cl.** **D23/233**

(58) **Field of Classification Search** D23/233-237, D23/244-249; 137/498, 545, 547, 549, 377; 251/62, 63, 63.5, 129.01, 129.1, 129.16-129.18, 251/309, 368

See application file for complete search history.

(56) **References Cited**

U.S. PATENT DOCUMENTS

| | | | | |
|---------------|---------|----------|-------|-----------|
| D213,104 S * | 1/1969 | Towsend | | D23/233 |
| D246,377 S * | 11/1977 | Pansini | | D23/233 |
| D273,034 S * | 3/1984 | Higgins | | D23/245 |
| 4,552,336 A * | 11/1985 | Pastrone | | 251/331 |
| D287,044 S * | 12/1986 | Hughes | | D23/248 |
| 4,703,775 A * | 11/1987 | Pastrone | | 137/625.3 |
| D428,114 S * | 7/2000 | Le Bars | | D23/233 |

| | | | | |
|--------------|---------|----------------|-------|---------|
| D539,386 S * | 3/2007 | Hayashi et al. | | D23/233 |
| D558,859 S * | 1/2008 | Kato et al. | | D23/233 |
| D562,436 S * | 2/2008 | Kato et al. | | D23/233 |
| D600,779 S * | 9/2009 | Shishido | | D23/233 |
| D600,780 S * | 9/2009 | Shishido | | D23/233 |
| D603,016 S * | 10/2009 | Matsumura | | D23/233 |

* cited by examiner

Primary Examiner—Cathron C. Brooks

Assistant Examiner—Maurice Stevens

(74) *Attorney, Agent, or Firm*—Yokoi & Co., U.S.A., Inc.; Toshiyuki Yokoi

(57) **CLAIM**

The ornamental design for a flow control valve for air pressure device, as shown and described.

DESCRIPTION

FIG. 1 shows a front view of a flow control valve for air pressure device showing my new design;

FIG. 2 shows a rear view thereof;

FIG. 3 shows a right side view thereof;

FIG. 4 shows a left side view thereof;

FIG. 5 shows a top view thereof;

FIG. 6 shows a bottom view thereof; and,

FIG. 7 shows a top, front and left side perspective view thereof.

The broken lines showing unclaimed portions of the flow control valve in FIGS. 3 and 4 form no part of the claimed design.

1 Claim, 4 Drawing Sheets

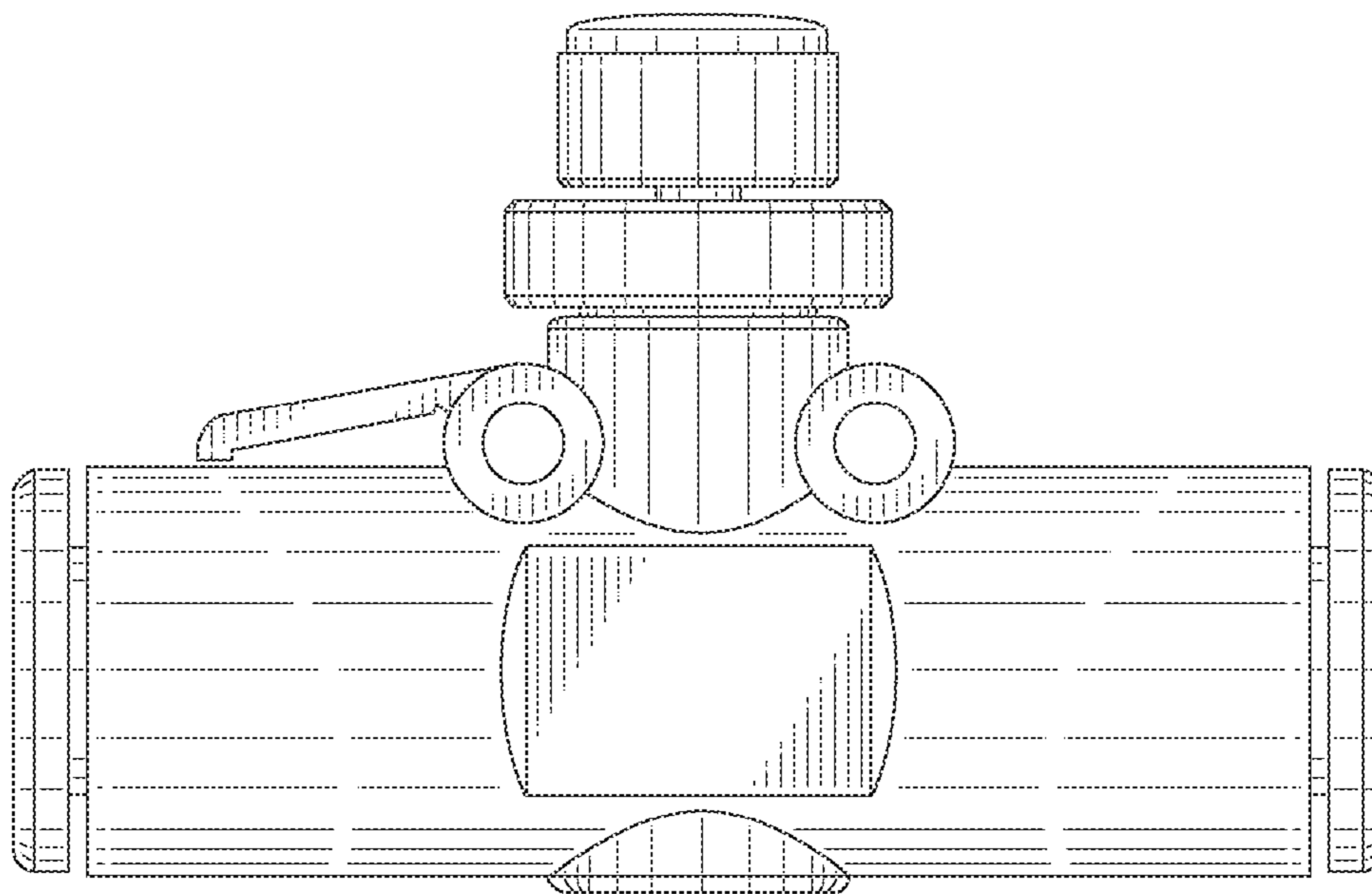


FIG. 1

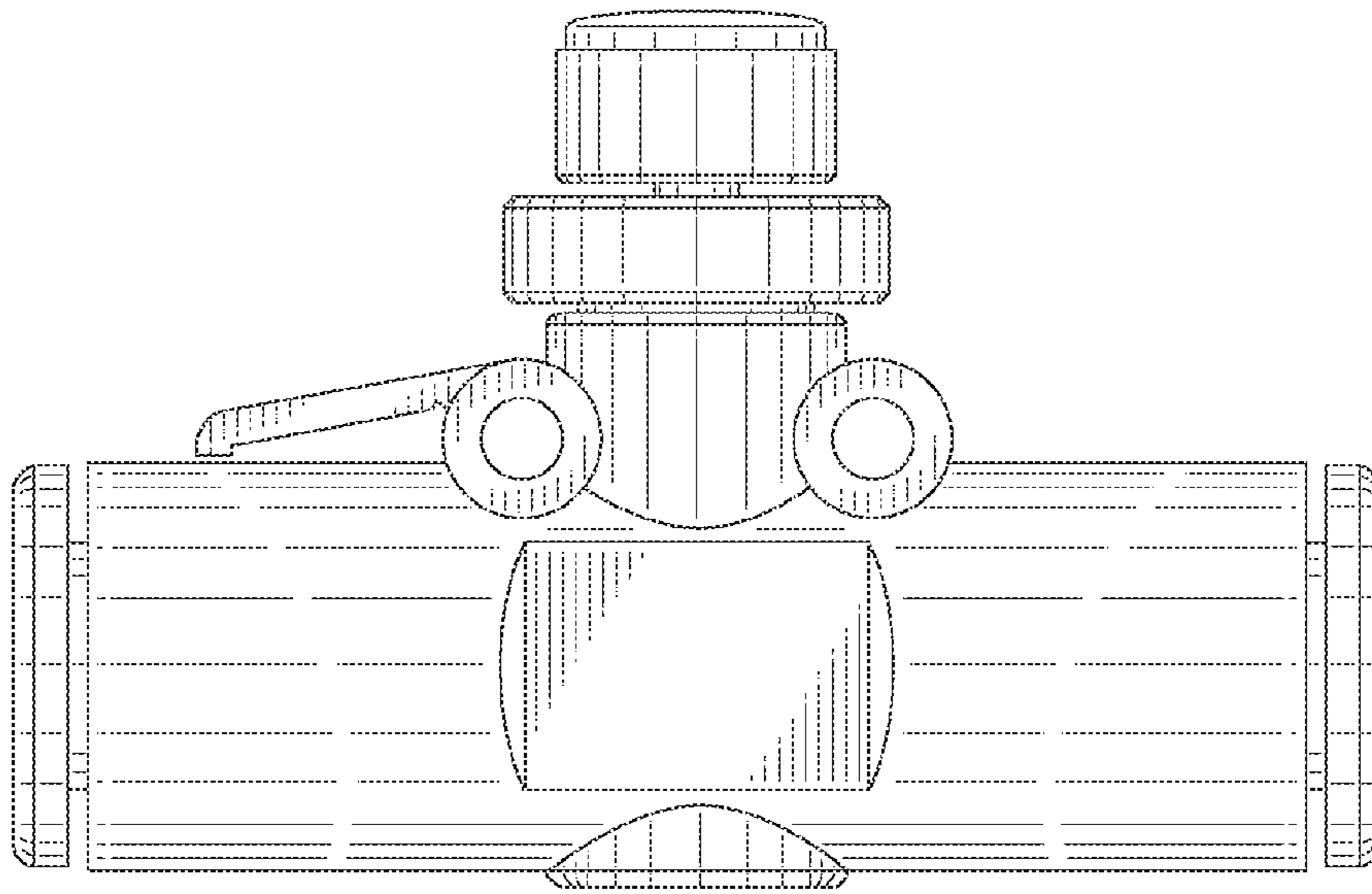


FIG. 2

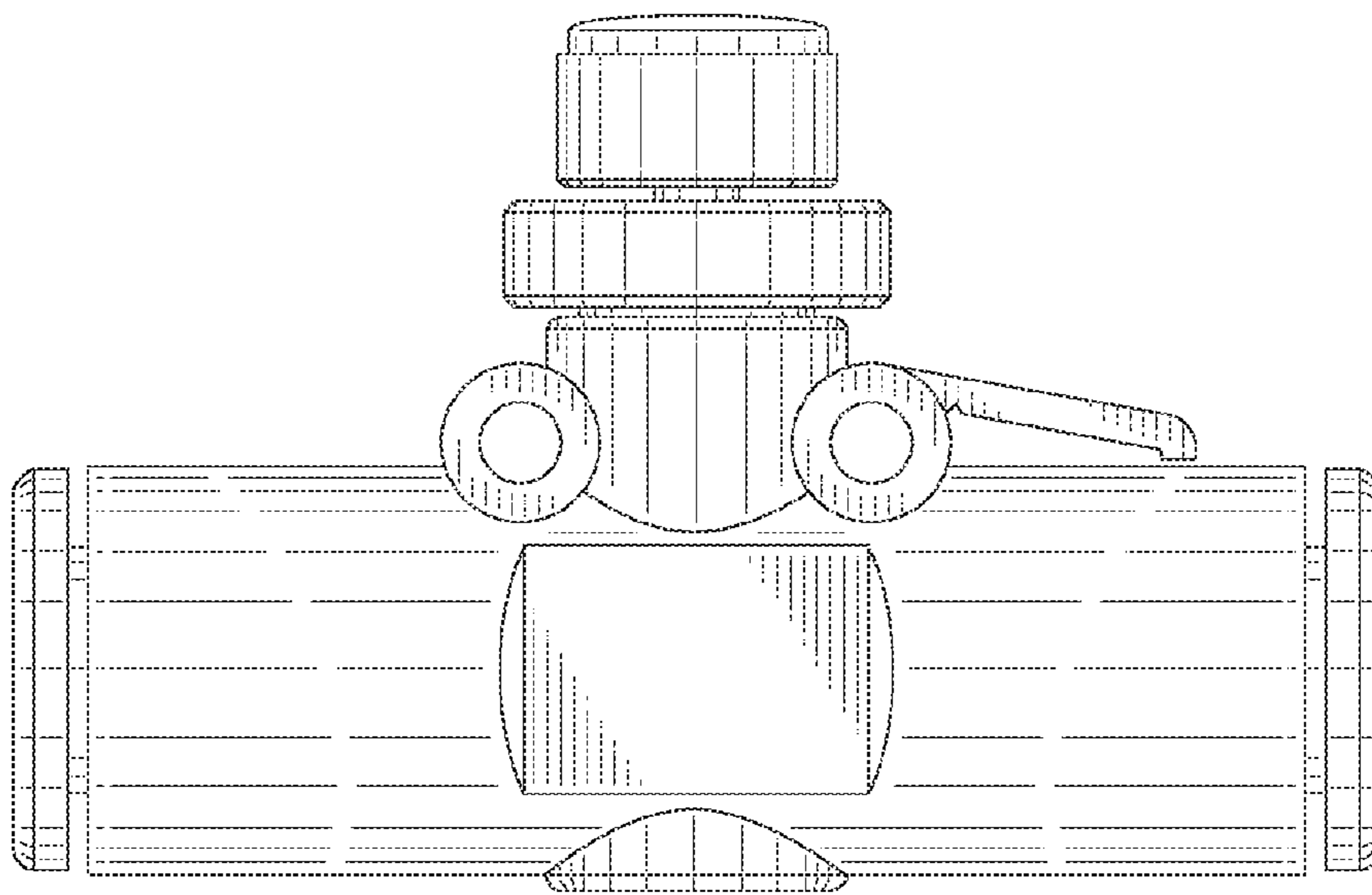


FIG. 3

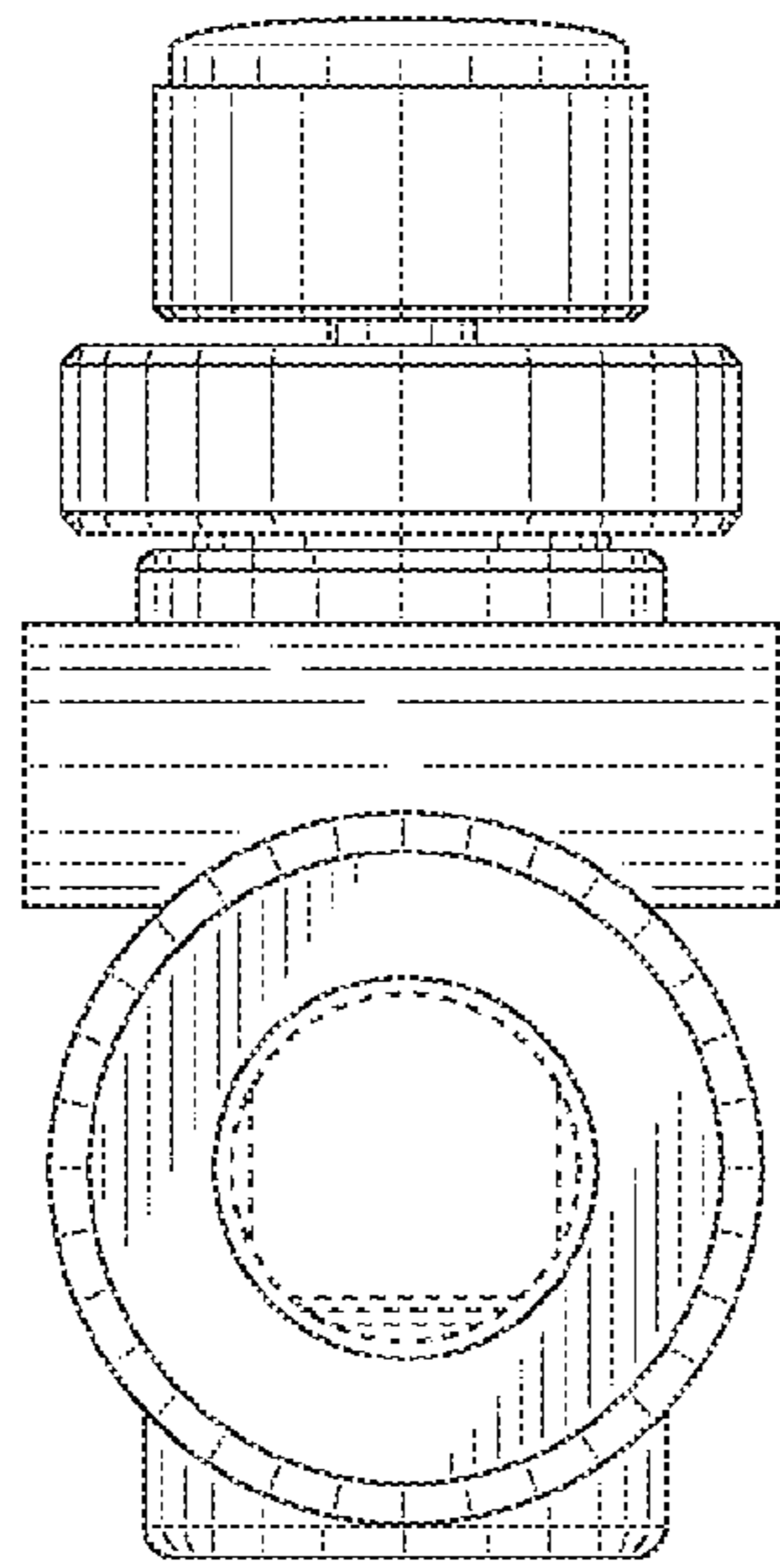


FIG. 4

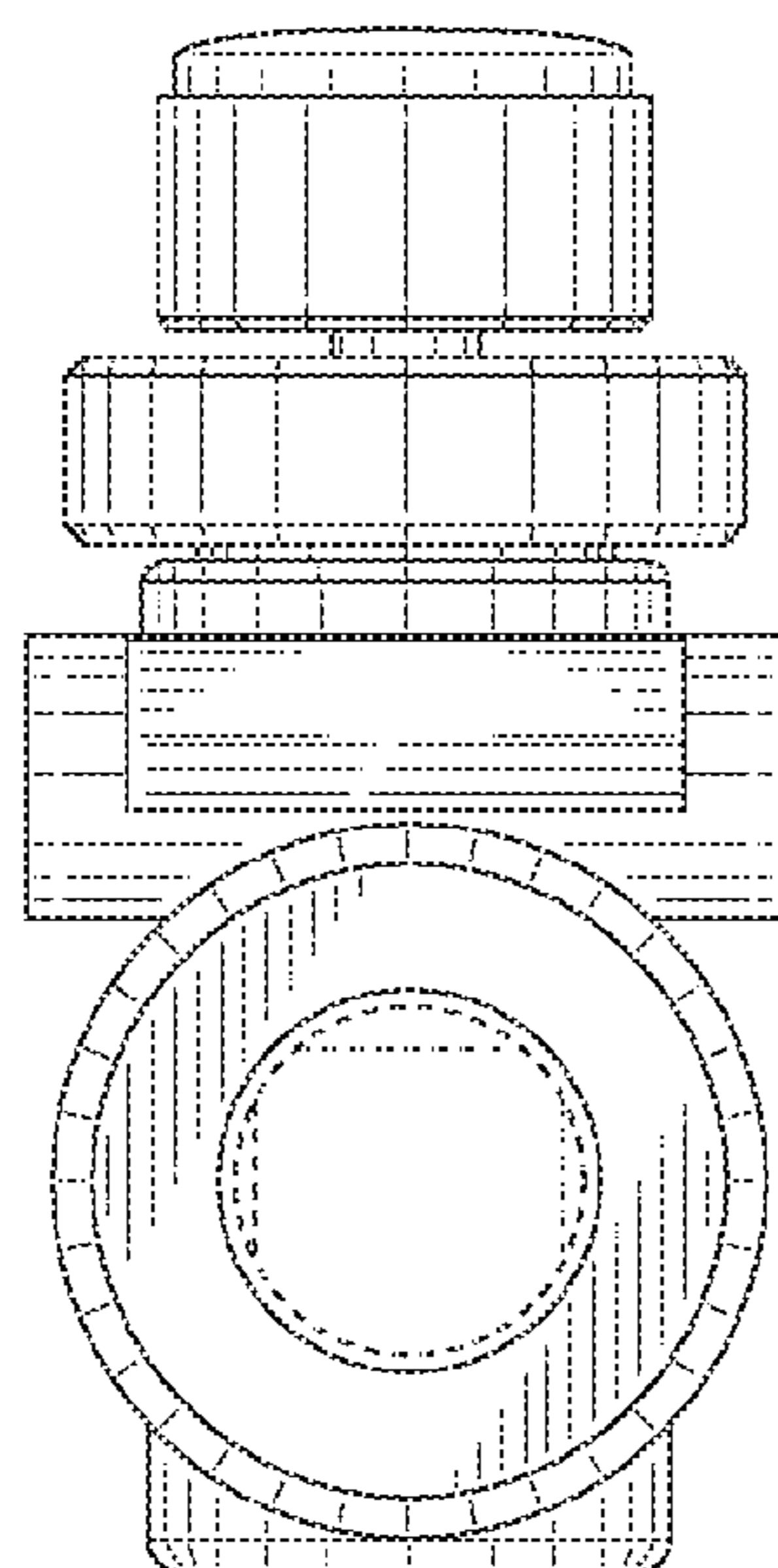


FIG. 5

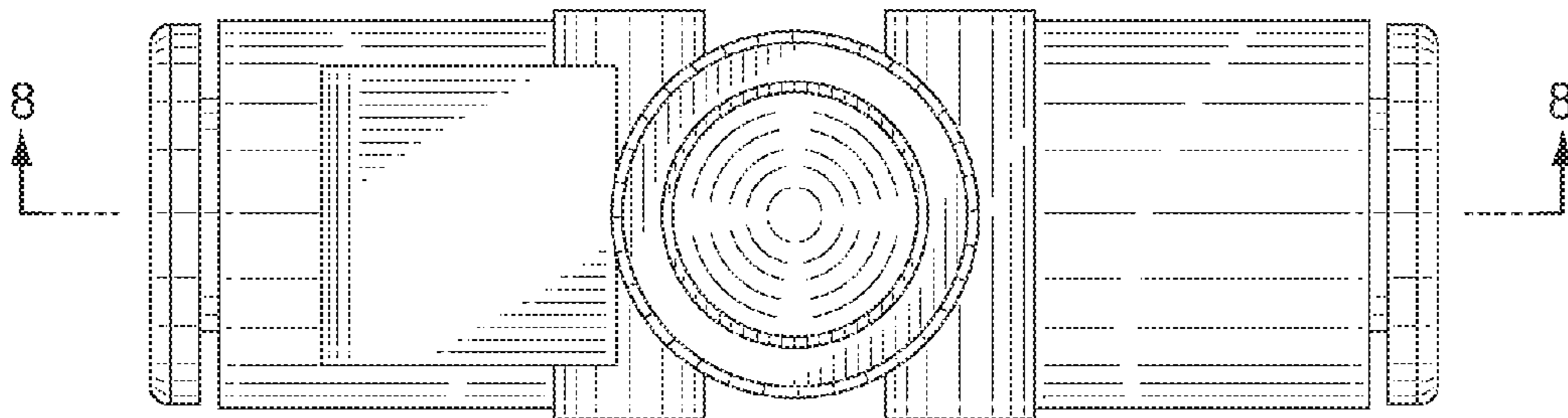


FIG. 6

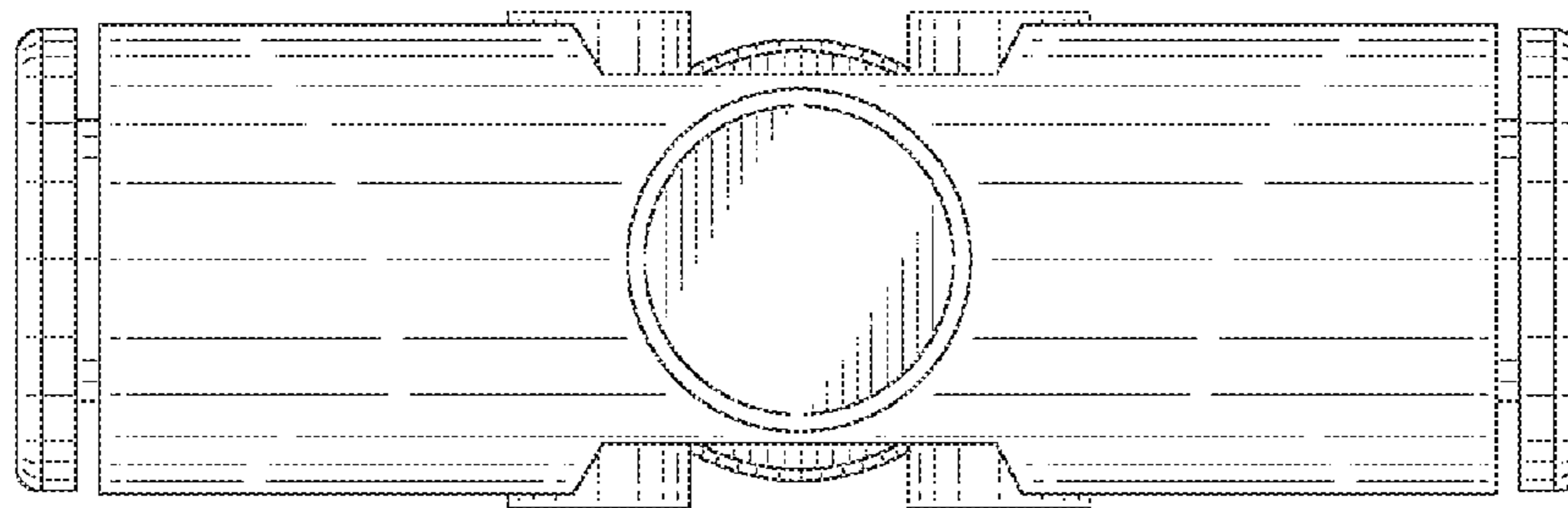


FIG. 7

