



US00D623270S

(12) **United States Design Patent**
Fukano et al.

(10) **Patent No.:** **US D623,270 S**
(45) **Date of Patent:** **** Sep. 7, 2010**

(54) **VACUUM CONTROL VALVE**

D616,964 S * 6/2010 Miyazoe et al. D23/233

(75) Inventors: **Yoshihiro Fukano**, Tsukubamirai (JP);
Koji Sugano, Tsukubamirai (JP); **Akira Sasaki**, Tsukubamirai (JP)

* cited by examiner

Primary Examiner—Robert M. Spear
Assistant Examiner—Maurice Stevens
(74) *Attorney, Agent, or Firm*—Yokoi & Co., U.S.A., Inc.;
Toshiyuki Yokoi

(73) Assignee: **SMC Corporation**, Chiyoda-ku, Tokyo (JP)

(**) Term: **14 Years**

(57) **CLAIM**

(21) Appl. No.: **29/337,110**

The ornamental design for a vacuum control valve, as shown and described.

(22) Filed: **May 15, 2009**

DESCRIPTION

(30) **Foreign Application Priority Data**

Dec. 2, 2008 (JP) 2008-030865

FIG. 1 shows a front view of a vacuum control valve showing my new design;

(51) **LOC (9) Cl.** **23-01**

FIG. 2 shows a rear view thereof;

(52) **U.S. Cl.** **D23/233**

FIG. 3 shows a right side view thereof;

(58) **Field of Classification Search** D23/233–237,
D23/244–245; 137/565.23; 251/335.1, 129.15
See application file for complete search history.

FIG. 4 shows a left side view thereof;

FIG. 5 shows a top view thereof;

FIG. 6 shows a bottom view thereof;

(56) **References Cited**

U.S. PATENT DOCUMENTS

4,470,426 A * 9/1984 Kitamura 137/85
4,856,478 A * 8/1989 Weber et al. 123/406.69
D439,633 S * 3/2001 Ikeo et al. D23/233
6,609,697 B2 * 8/2003 Gsteu 251/121
D594,933 S * 6/2009 Miyazoe D23/233

FIG. 7 shows a top, front and left side perspective view thereof; and,

FIG. 8 shows a top, rear and right side perspective view thereof.

In the drawings, the tubes are shown with breaks to indicate that no specific tube length is claimed.

1 Claim, 4 Drawing Sheets

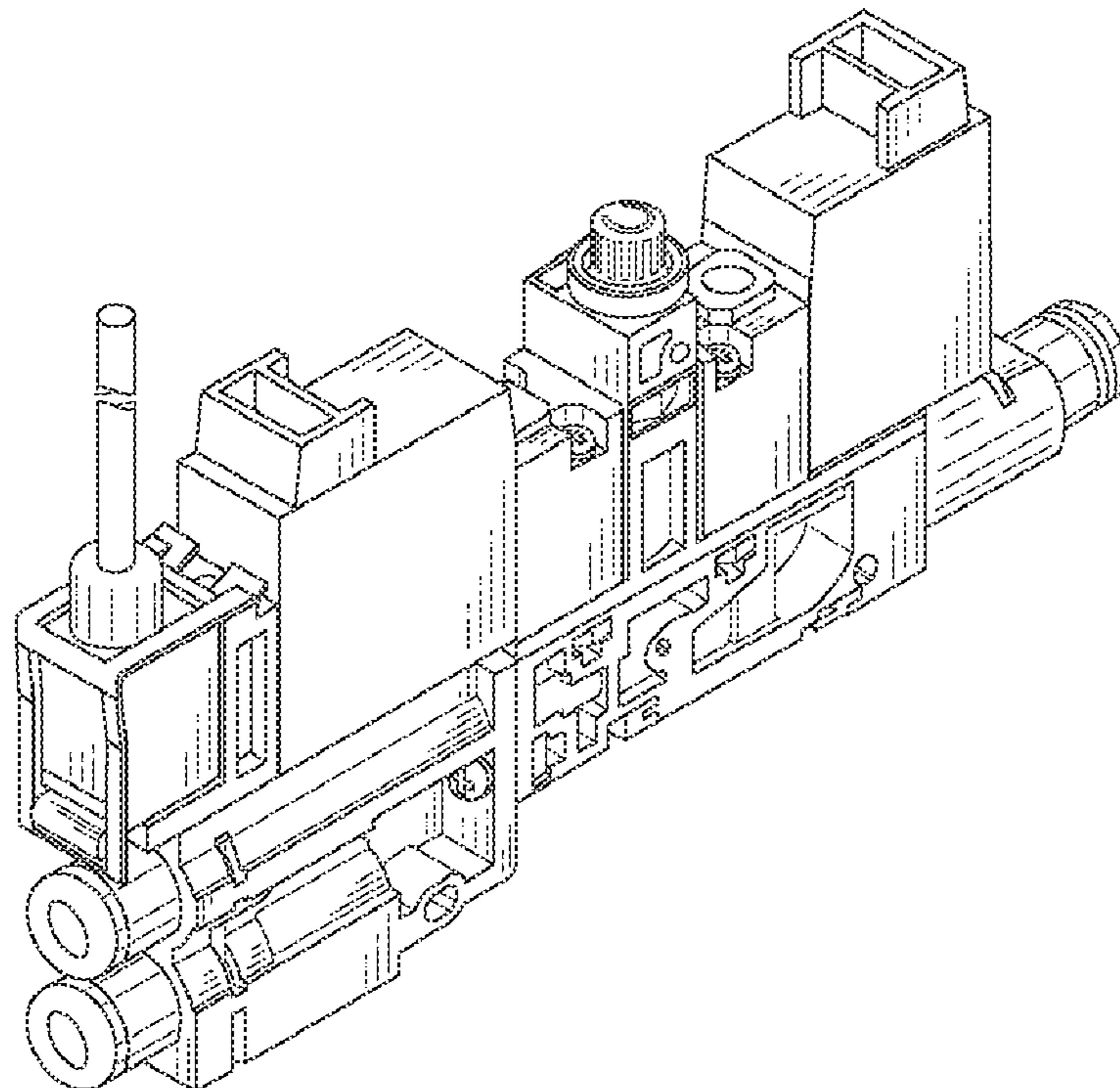


FIG. 1

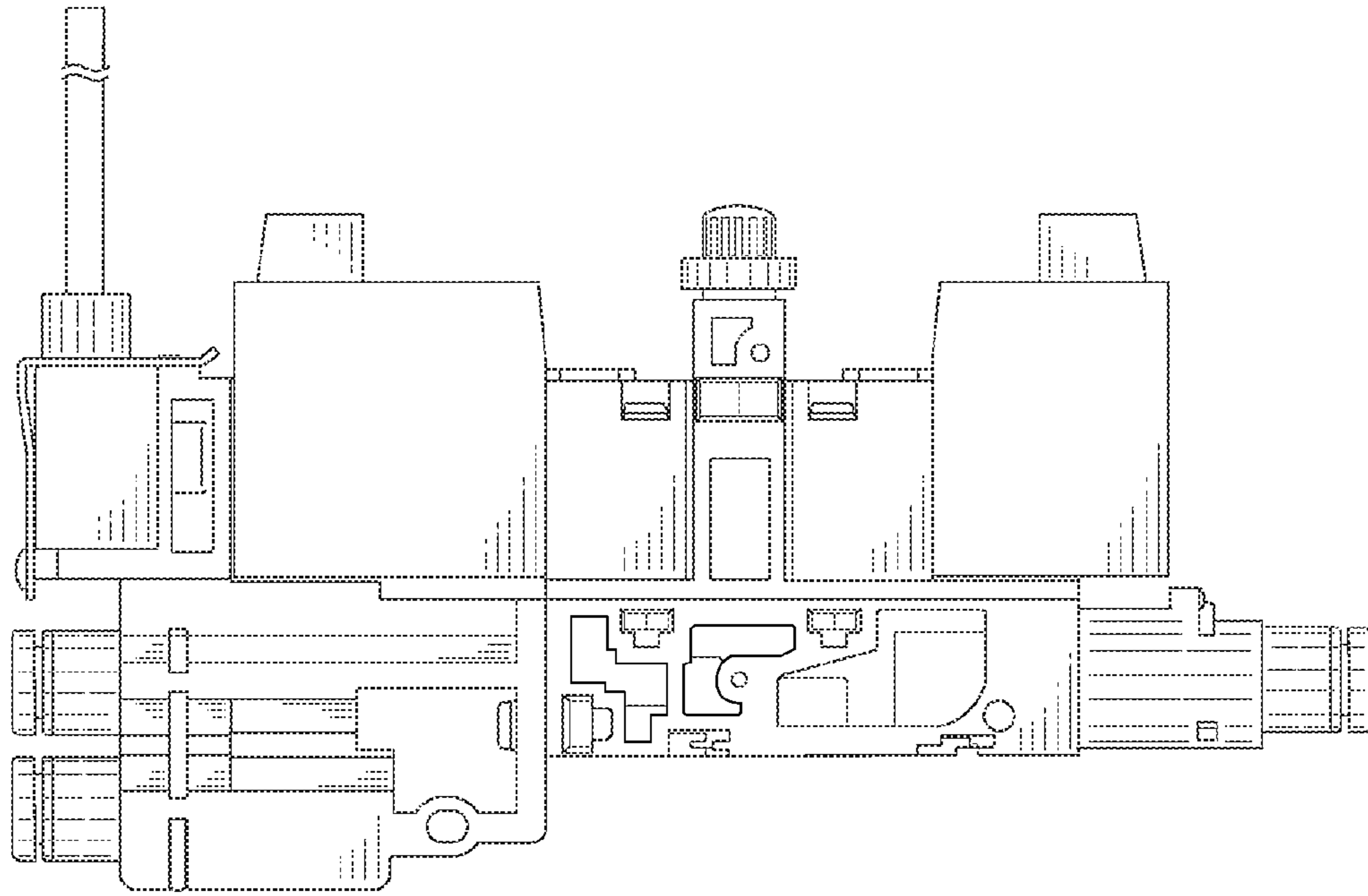


FIG. 2

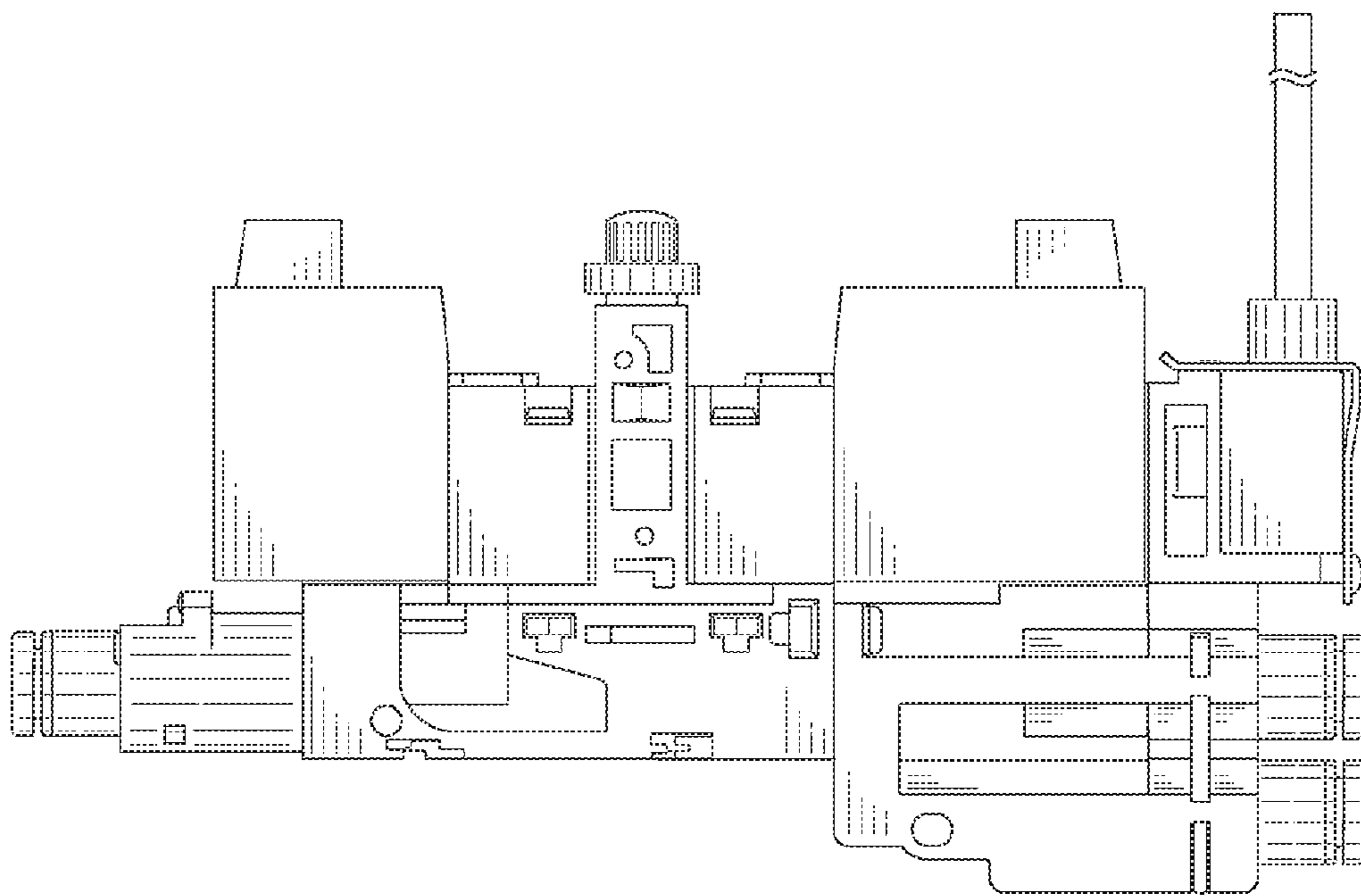


FIG. 3

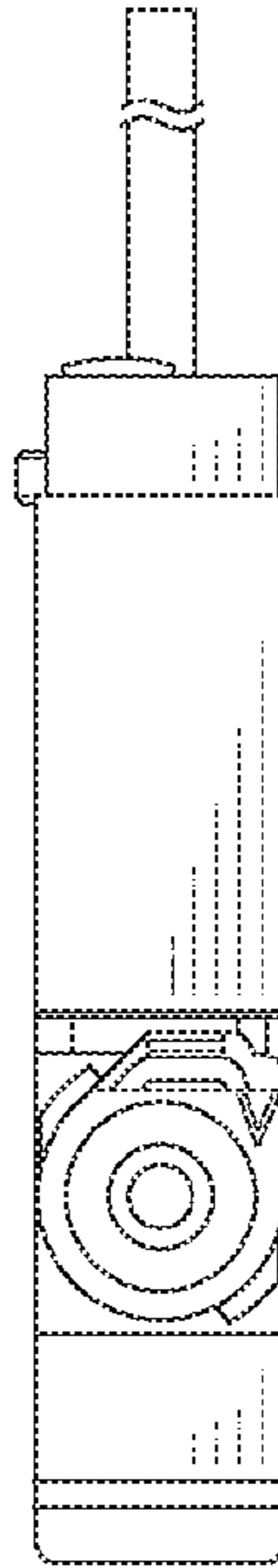


FIG. 4

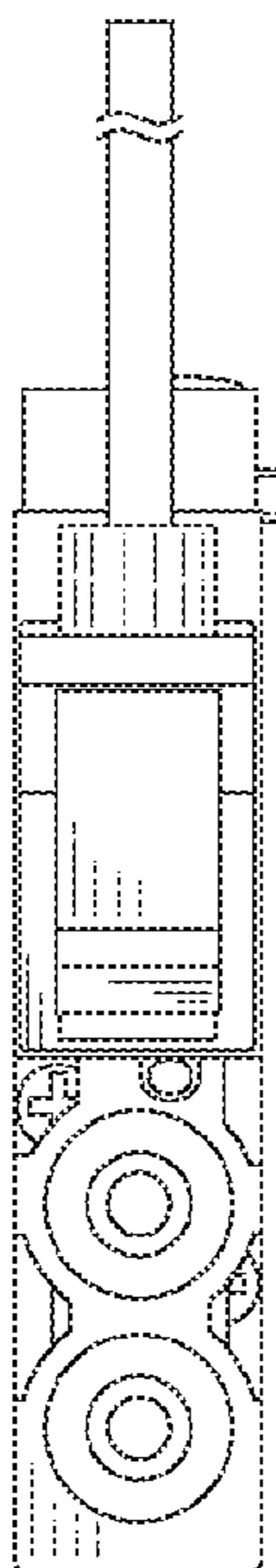


FIG. 5

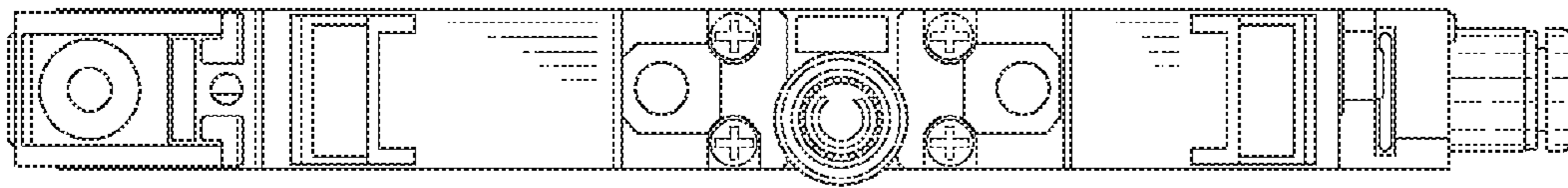


FIG. 6

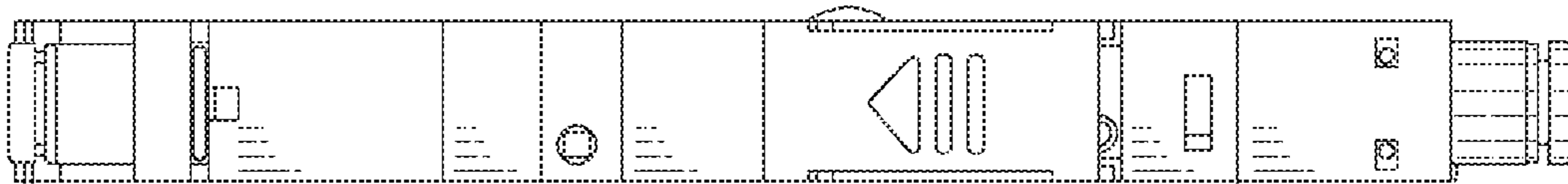


FIG. 7

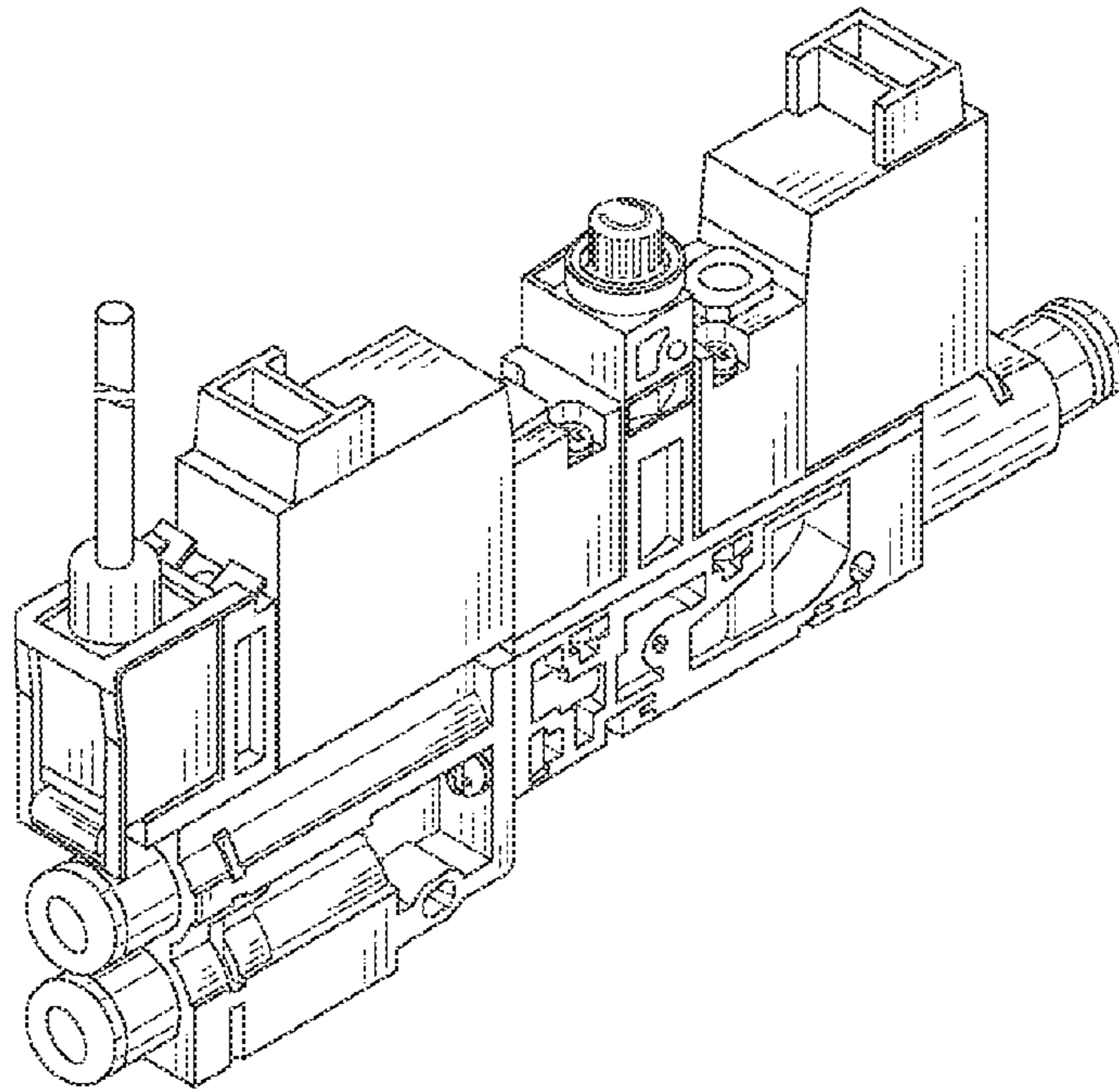


FIG. 8

