



US00D623269S

(12) **United States Design Patent**
Fukano et al.

(10) **Patent No.:** **US D623,269 S**
(45) **Date of Patent:** **** Sep. 7, 2010**

(54) **VACUUM CONTROL VALVE**

D616,964 S * 6/2010 Miyazoe et al. D23/233

(75) Inventors: **Yoshihiro Fukano**, Tsukubamirai (JP);
Koji Sugano, Tsukubamirai (JP); **Akira Sasaki**, Tsukubamirai (JP)

* cited by examiner

Primary Examiner—Robert M. Spear
Assistant Examiner—Maurice Stevens

(73) Assignee: **SMC Corporation**, Chiyoda-ku, Tokyo (JP)

(74) *Attorney, Agent, or Firm*—Yokoi & Co., U.S.A., Inc.;
Toshiyuki Yokoi

(**) Term: **14 Years**

(57) **CLAIM**

(21) Appl. No.: **29/337,109**

The ornamental design for a vacuum control valve, as shown and described.

(22) Filed: **May 15, 2009**

DESCRIPTION

(30) **Foreign Application Priority Data**

Dec. 2, 2008 (JP) 2008-030864

FIG. 1 shows a front view of a vacuum control valve showing my new design;

(51) **LOC (9) Cl.** **23-01**

FIG. 2 shows a rear view thereof;

(52) **U.S. Cl.** **D23/233**

FIG. 3 shows a right side view thereof;

(58) **Field of Classification Search** D23/233–237,

FIG. 4 shows a left side view thereof;

D23/244–245; 137/565.23; 251/335.3, 129.15

FIG. 5 shows a top view thereof;

See application file for complete search history.

FIG. 6 shows a bottom view thereof;

(56) **References Cited**

FIG. 7 shows a top, front and right side perspective view thereof; and,

U.S. PATENT DOCUMENTS

FIG. 8 shows a top, rear and left side perspective view thereof.

4,470,426	A *	9/1984	Kitamura	137/85
4,856,478	A *	8/1989	Weber et al.	123/406.69
D439,633	S *	3/2001	Ikeo et al.	D23/233
6,609,697	B2 *	8/2003	Gsteu	251/121
D594,933	S *	6/2009	Miyazoe	D23/233

In the drawings, the tubes are shown with breaks to indicate that no specific length is claimed.

1 Claim, 6 Drawing Sheets

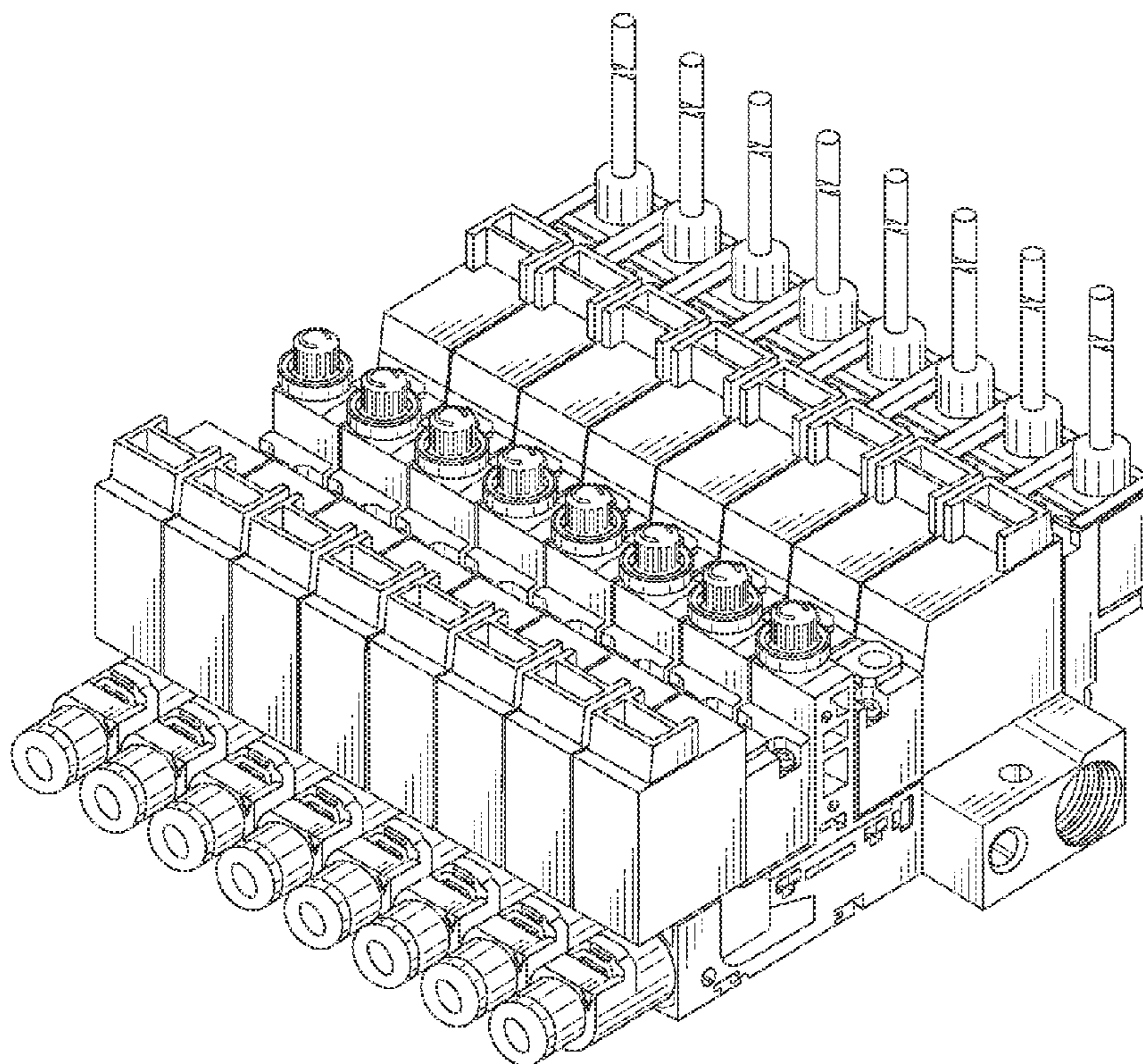


FIG. 1

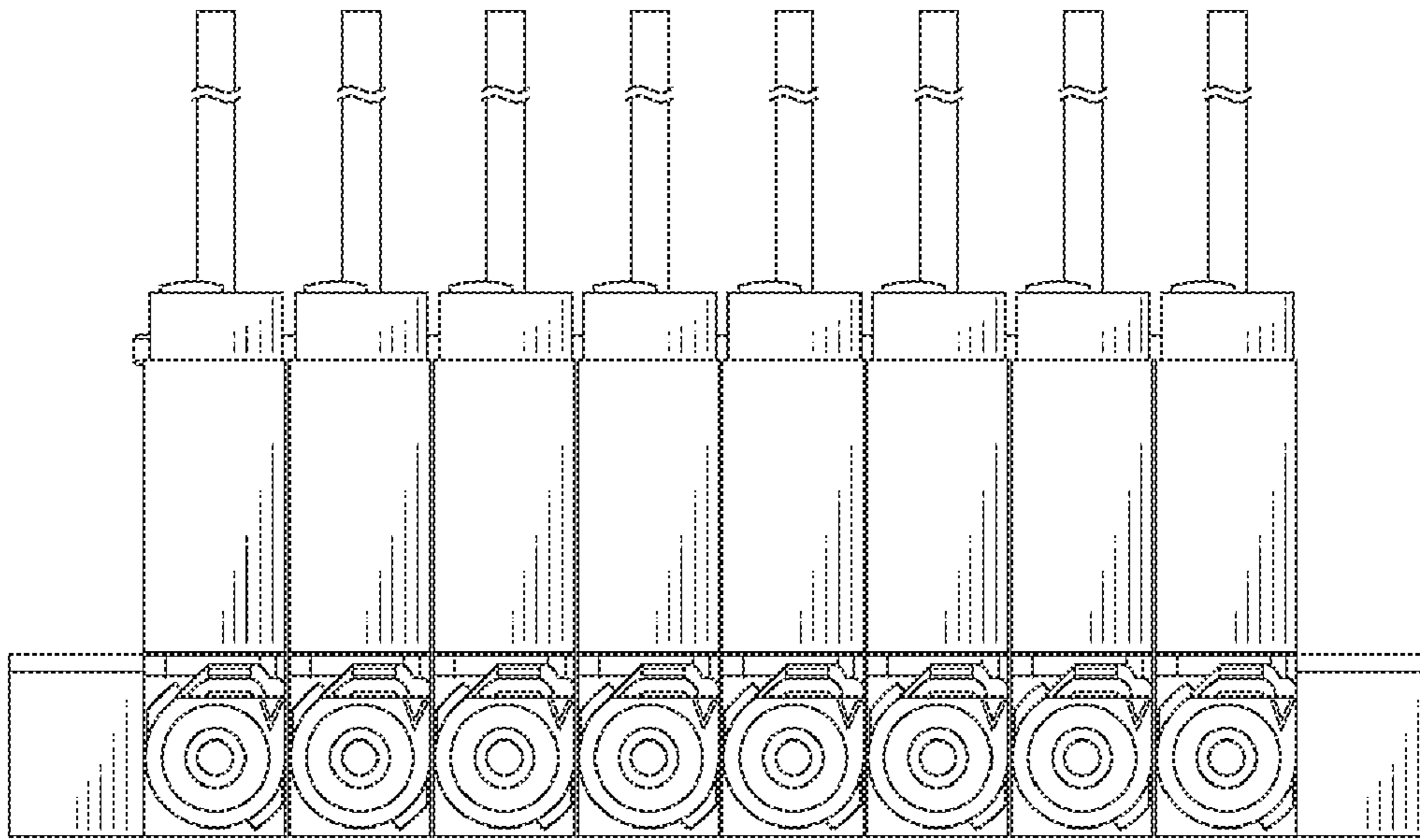


FIG. 2

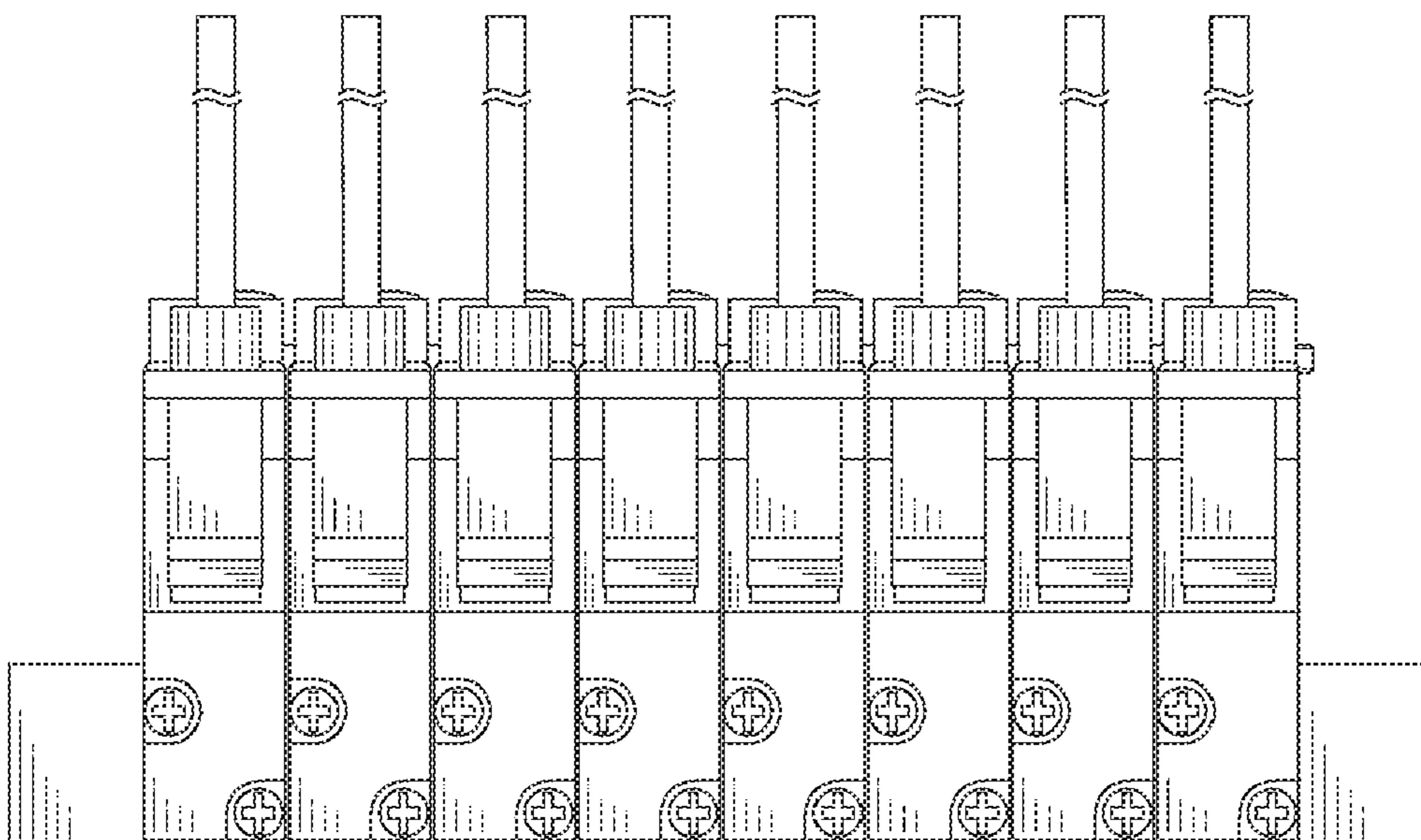


FIG. 3

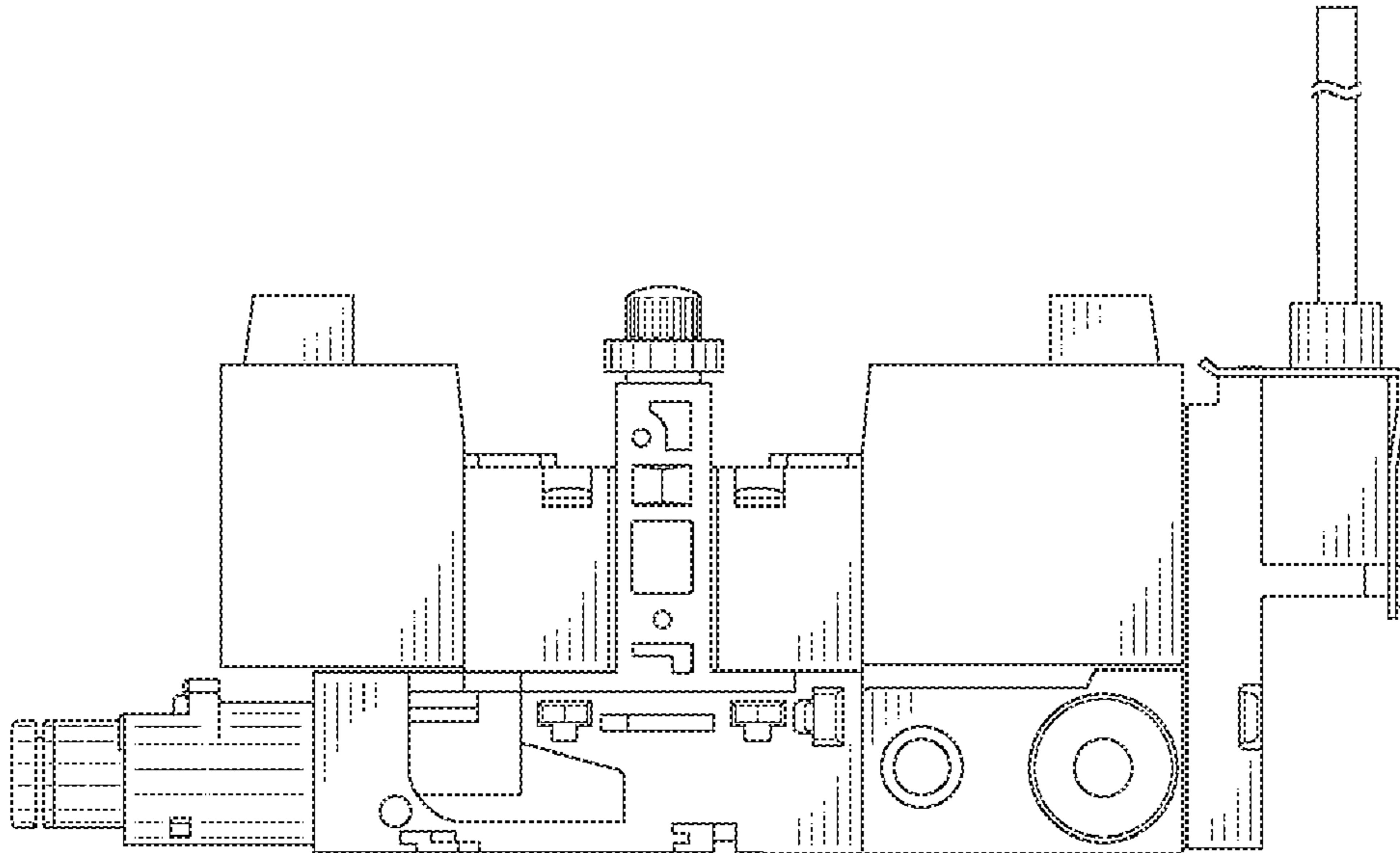


FIG. 4

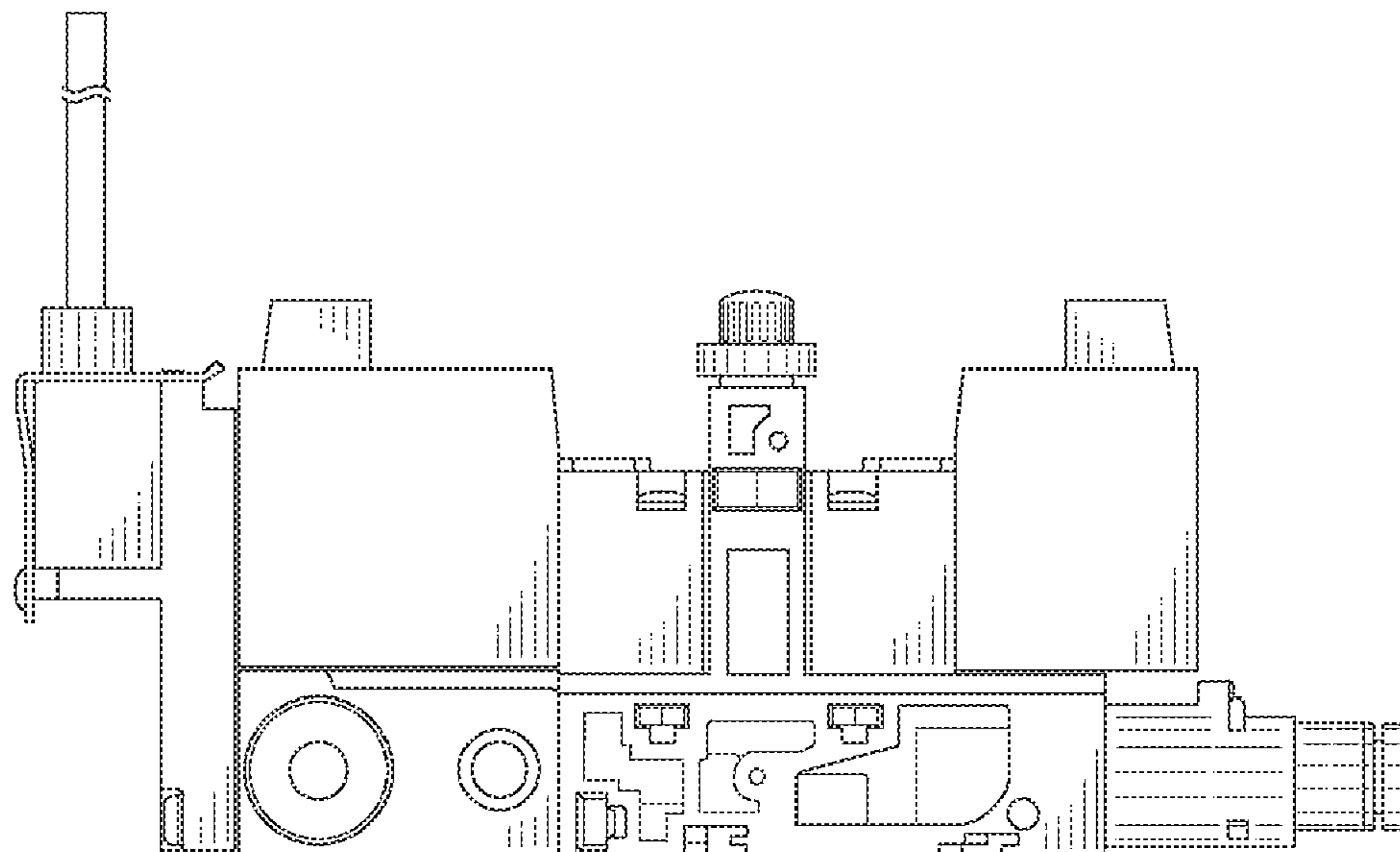


FIG. 5

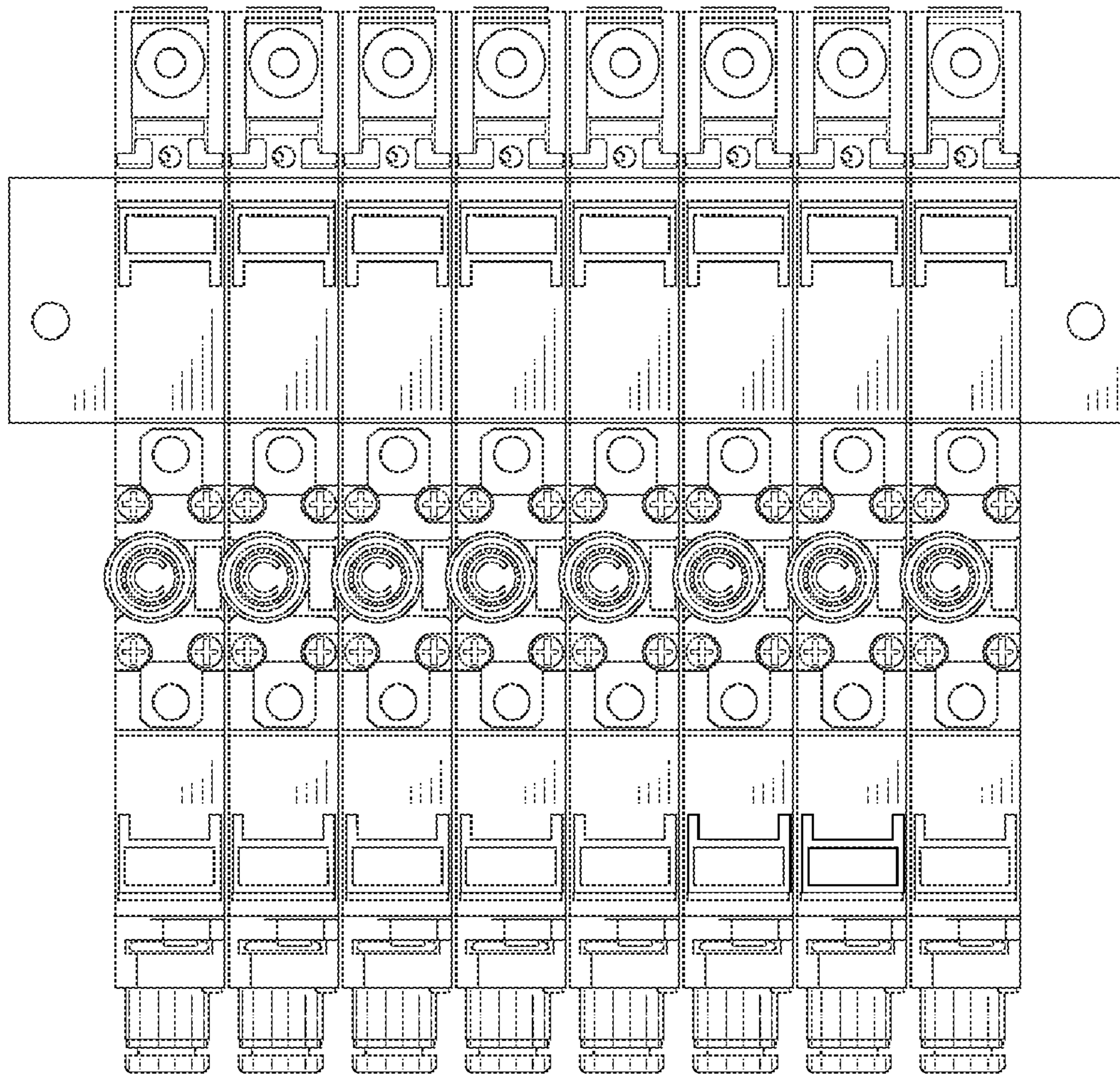


FIG. 6

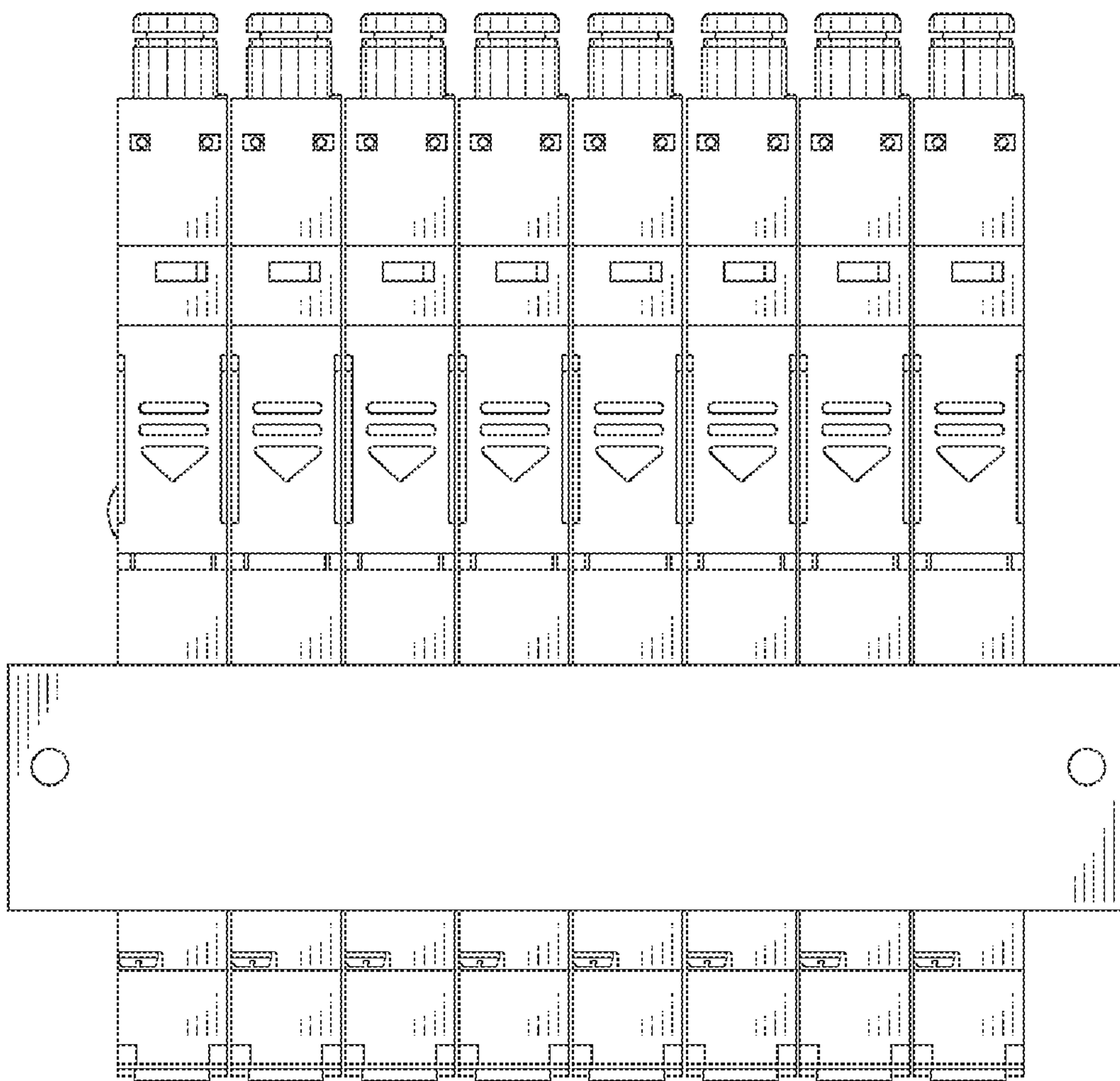


FIG. 7

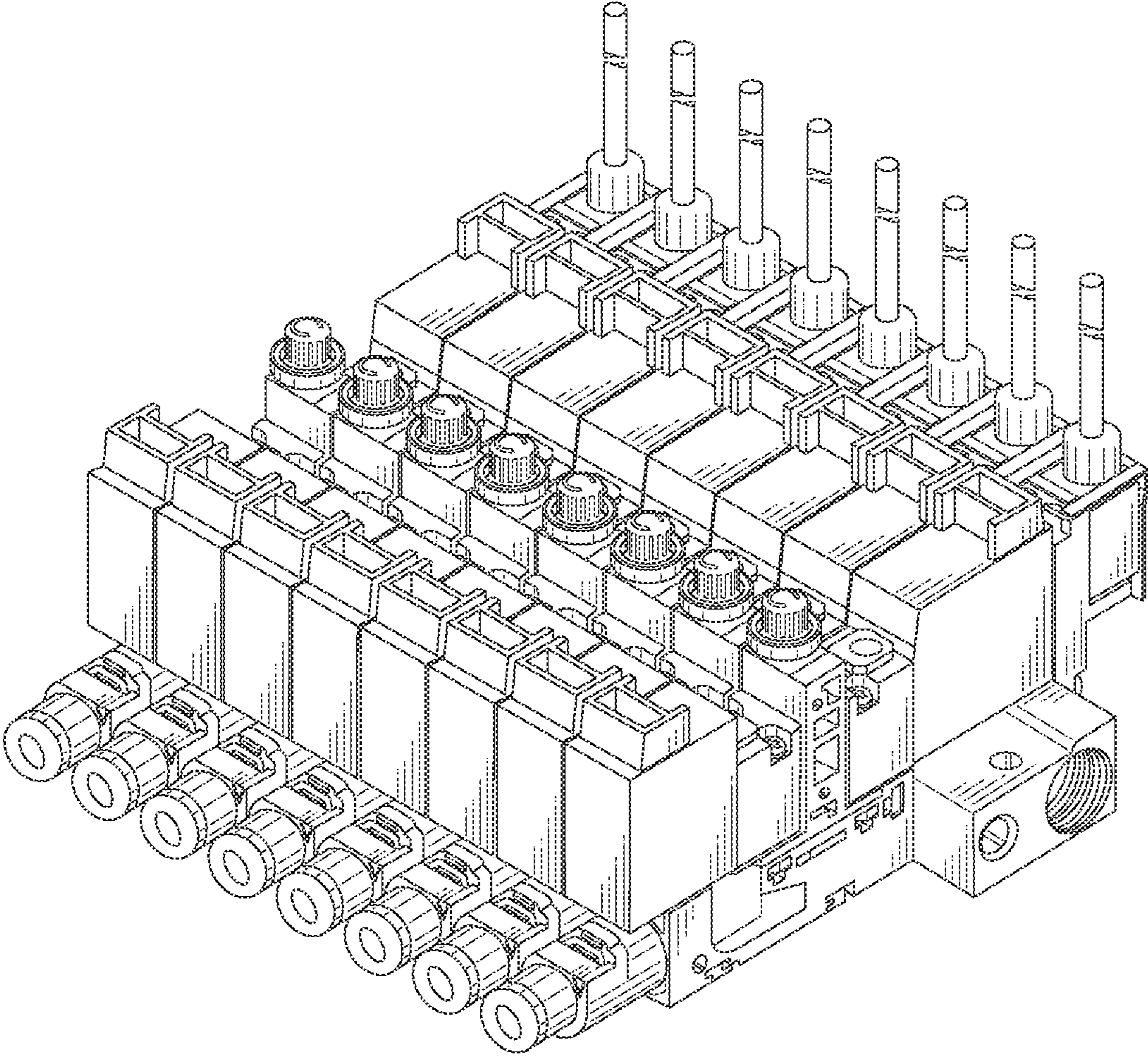


FIG. 8

