



US00D623267S

(12) **United States Design Patent**
Peterson et al.

(10) **Patent No.:** **US D623,267 S**

(45) **Date of Patent:** **** Sep. 7, 2010**

(54) **TEXTURE SPRAYER**

(75) Inventors: **Craig L. Peterson**, Carver, MN (US);
Ross D. Rossner, St. Michael, MN (US);
Anthony J. Torntore, Bloomington, MN
(US); **Richard P. Anderson**, Cedar Lake
Township, MN (US)

(73) Assignee: **Wagner Spray Tech Corporation**,
Plymouth, MN (US)

(**) Term: **14 Years**

(21) Appl. No.: **29/346,423**

(22) Filed: **Oct. 30, 2009**

(51) **LOC (9) Cl.** **23-01**

(52) **U.S. Cl.** **D23/225**

(58) **Field of Classification Search** D23/213,
D23/225; D8/2; 239/337, 375, 526

See application file for complete search history.

(56) **References Cited**

U.S. PATENT DOCUMENTS

1,703,384 A	10/1924	Birkenmaier	
2,887,274 A *	5/1959	Swenson	239/371
4,863,104 A	9/1989	Masterson	
4,961,537 A	10/1990	Stern	
4,978,072 A	12/1990	Kurowski	
5,039,017 A *	8/1991	Howe	239/346
5,119,993 A	6/1992	Gunzel, Jr. et al.	
5,232,161 A	8/1993	Clemmons	
5,255,846 A	10/1993	Ortega	
D346,851 S	5/1994	Howe	
5,409,166 A	4/1995	Gunzel, Jr. et al.	
5,415,351 A	5/1995	Otto et al.	
5,582,350 A	12/1996	Kosmyna et al.	
5,590,816 A	1/1997	Bertram et al.	
5,727,736 A	3/1998	Tryon	
5,803,360 A	9/1998	Spitznagel	
5,810,258 A	9/1998	Wu	
5,918,815 A	7/1999	Wu	

5,979,797 A	11/1999	Castellano
6,012,651 A	1/2000	Spitznagel
6,053,436 A	4/2000	Morford
6,070,809 A	6/2000	Price
6,092,740 A	7/2000	Liu
6,105,882 A	8/2000	Woltjen
6,168,093 B1	1/2001	Greer, Jr. et al.
6,213,410 B1	4/2001	Spitznagel
6,536,684 B1	3/2003	Wei

(Continued)

Primary Examiner—Robin V Webster

(74) *Attorney, Agent, or Firm*—Christopher J. Volkmann;
Westman, Champlin & Kelly, P.A.

(57) **CLAIM**

The ornamental design for a texture sprayer, as shown and described.

DESCRIPTION

FIG. 1 is a perspective view of the texture sprayer.

FIG. 2 is a front view of the texture sprayer.

FIG. 3 is a back view of the texture sprayer.

FIG. 4 is a right side view of the texture sprayer.

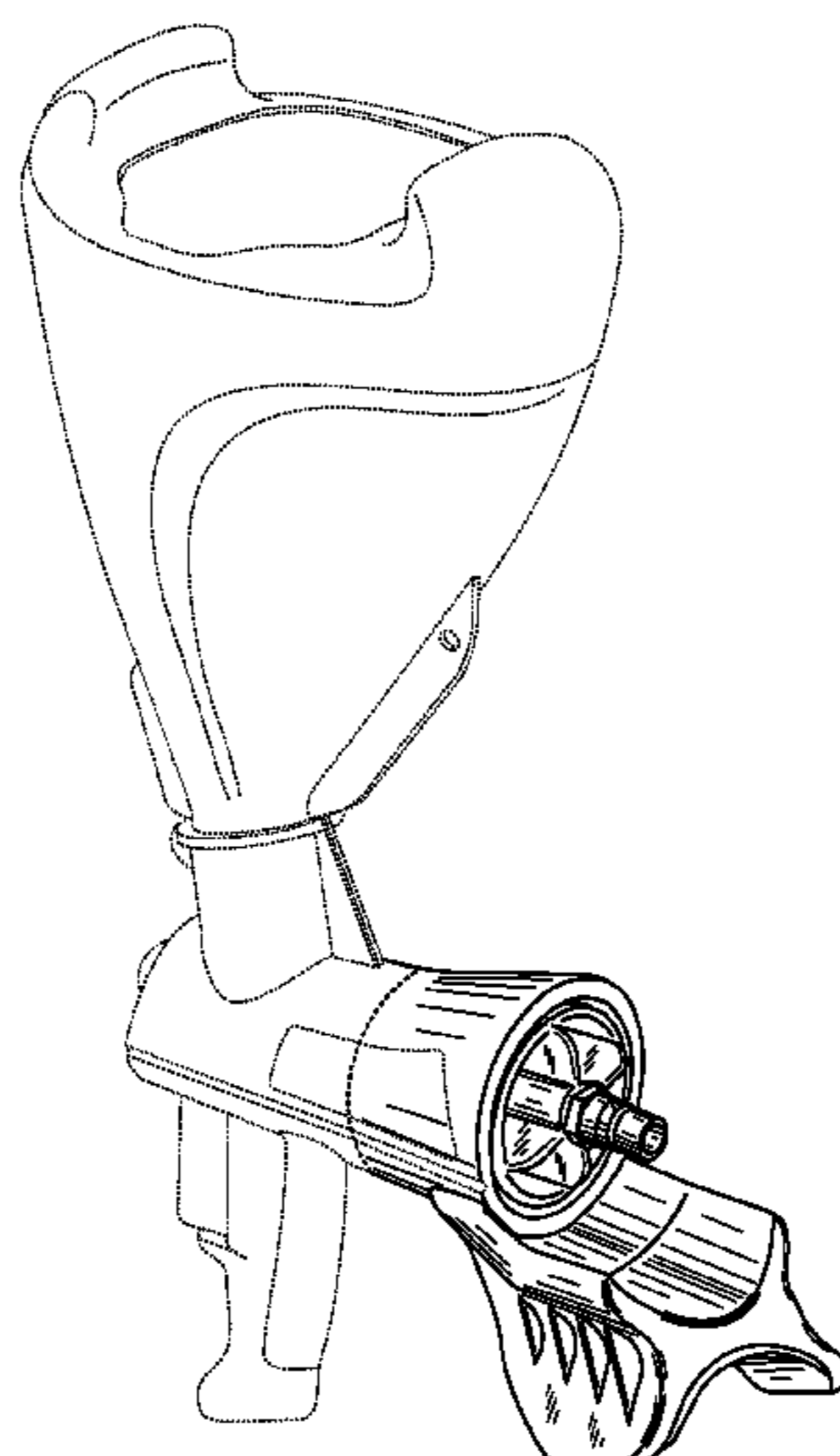
FIG. 5 is a left side view of the texture sprayer.

FIG. 6 is a top view of the texture sprayer; and,

FIG. 7 is a bottom view of the texture sprayer.

Features illustrated with dashed lines are not considered features of the invention being claimed, but rather illustrate an exemplary environment for the claimed features illustrated with solid lines.

1 Claim, 7 Drawing Sheets



US D623,267 S

Page 2

U.S. PATENT DOCUMENTS

D474,528 S *	5/2003	Huang	D23/225	6,863,227 B2	3/2005	Wallenberg et al.	
D477,384 S	7/2003	Williams et al.		6,945,429 B2	9/2005	Gosis et al.	
6,712,292 B1	3/2004	Gosis et al.		D554,741 S	11/2007	Peterson et al.	
6,726,125 B1	4/2004	Nonis et al.		D565,154 S *	3/2008	Huang	D23/225
				2003/0010843 A1	1/2003	Liao	

* cited by examiner

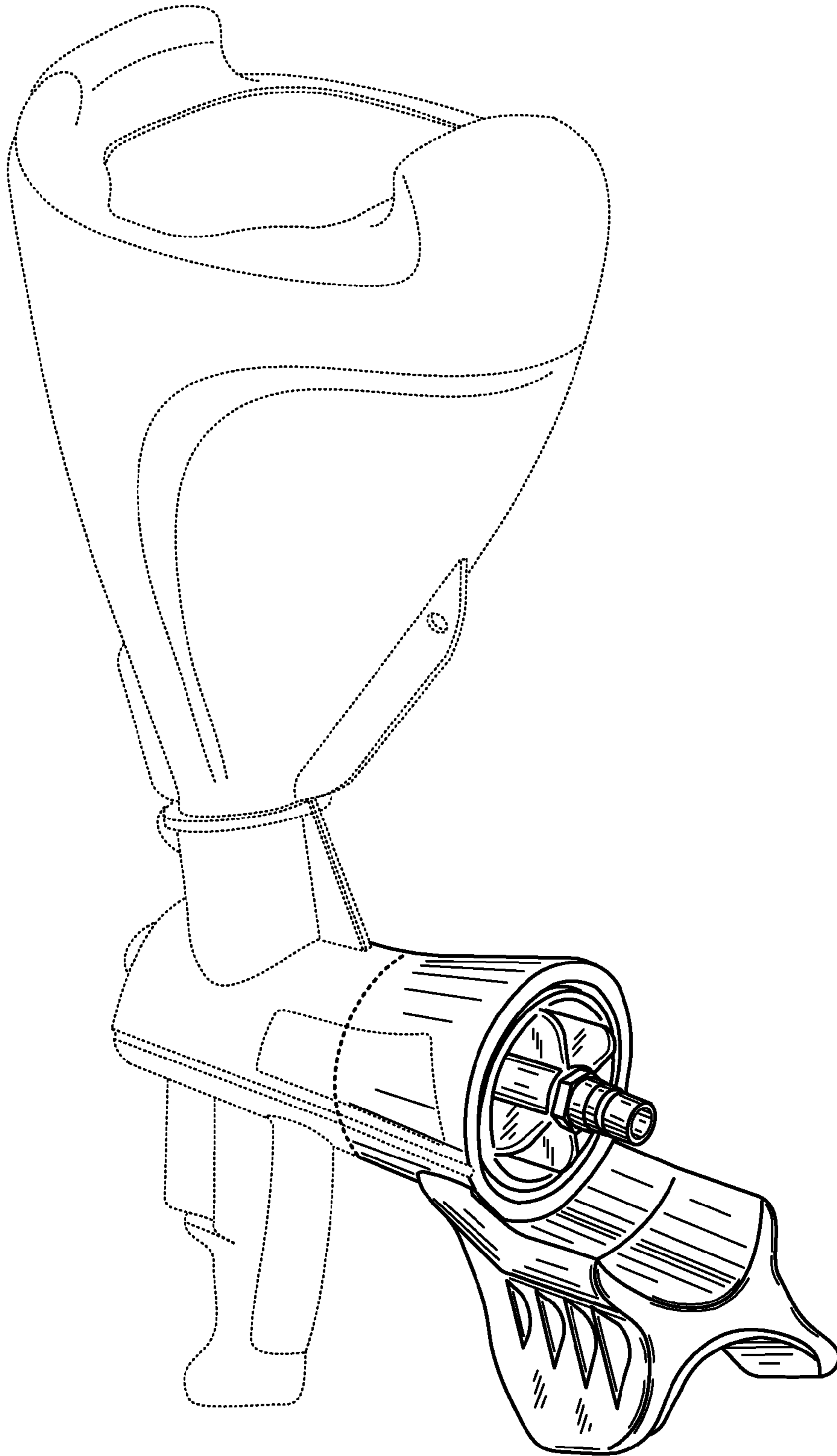


Fig. 1

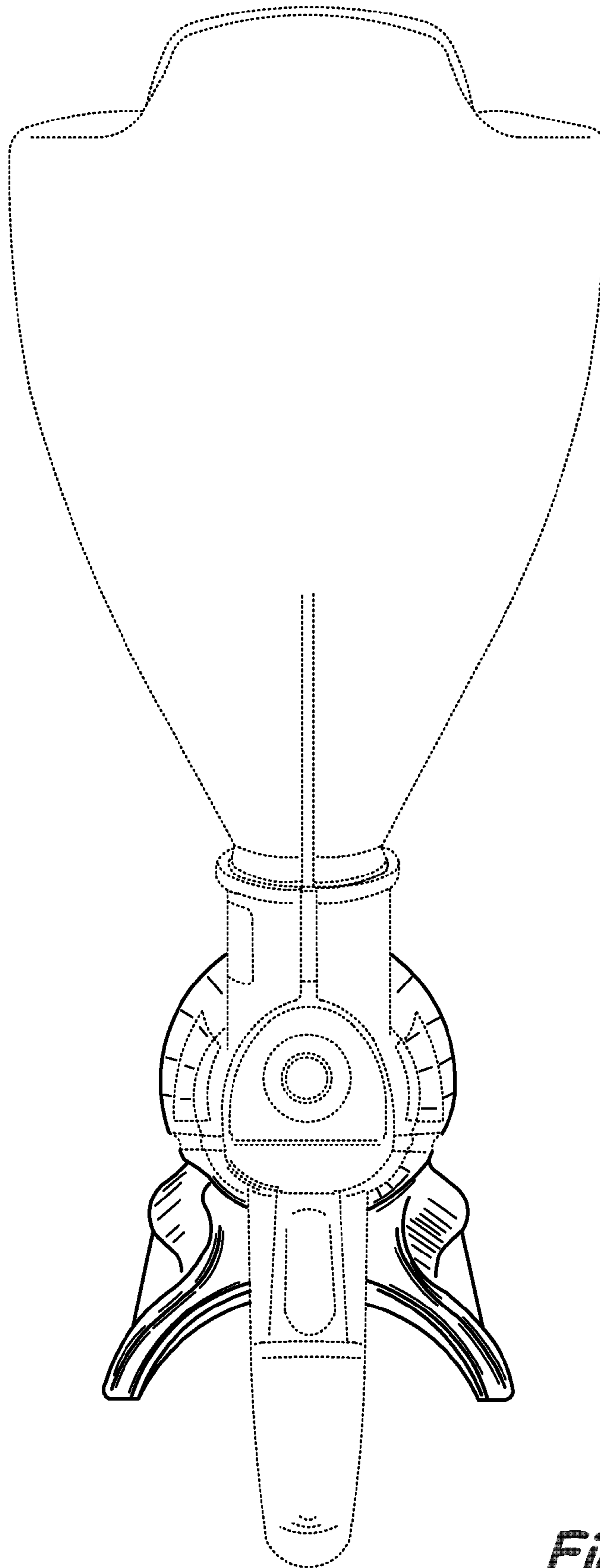


Fig. 2

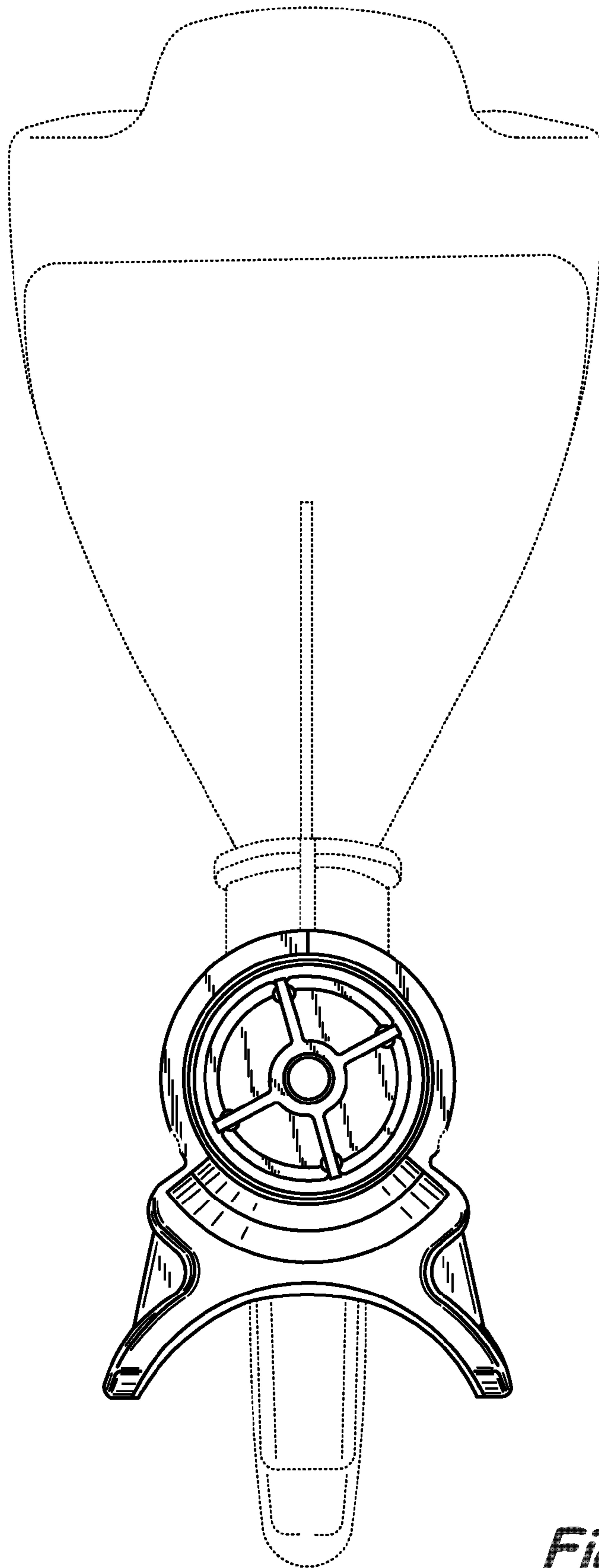
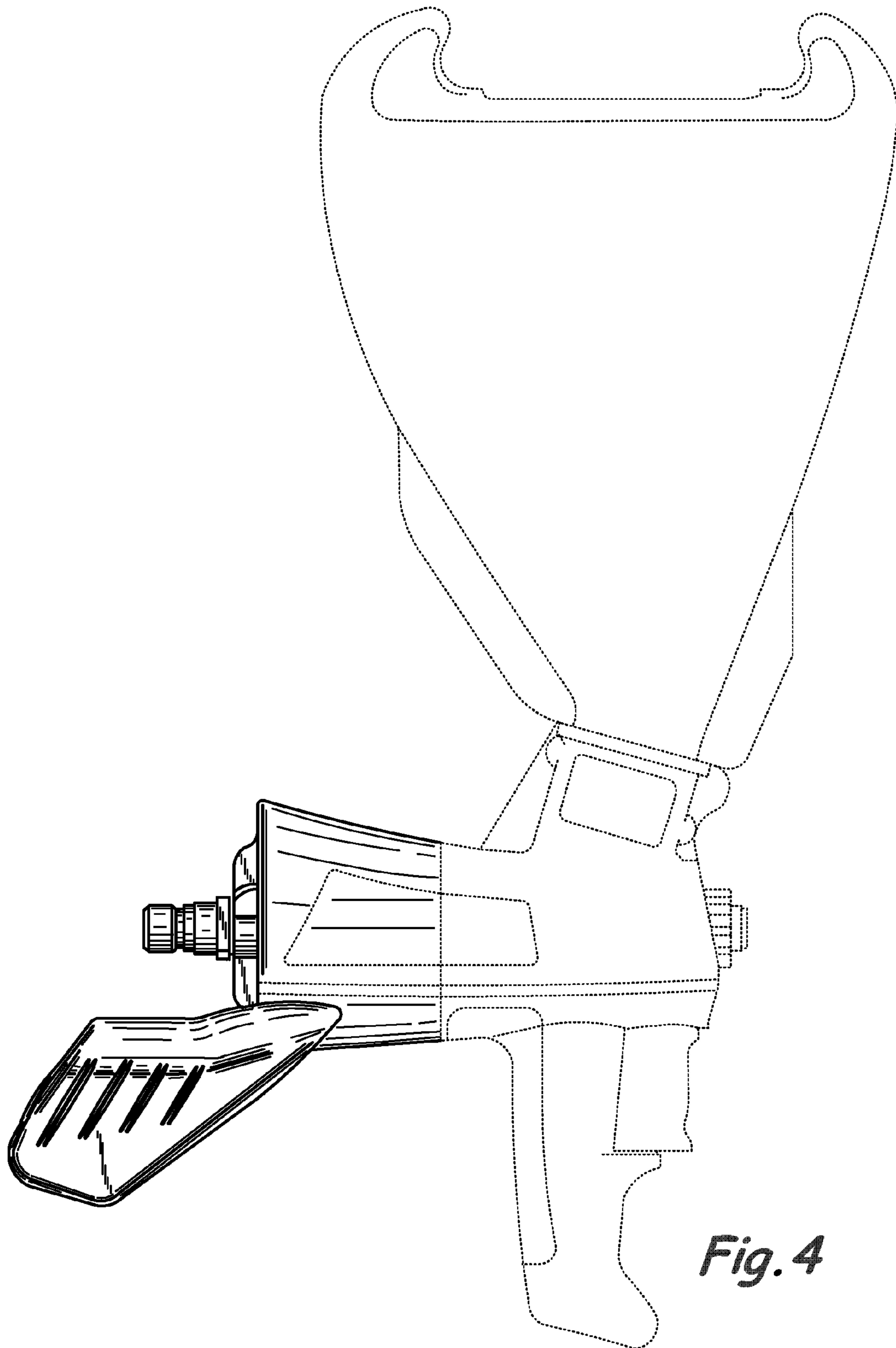


Fig. 3



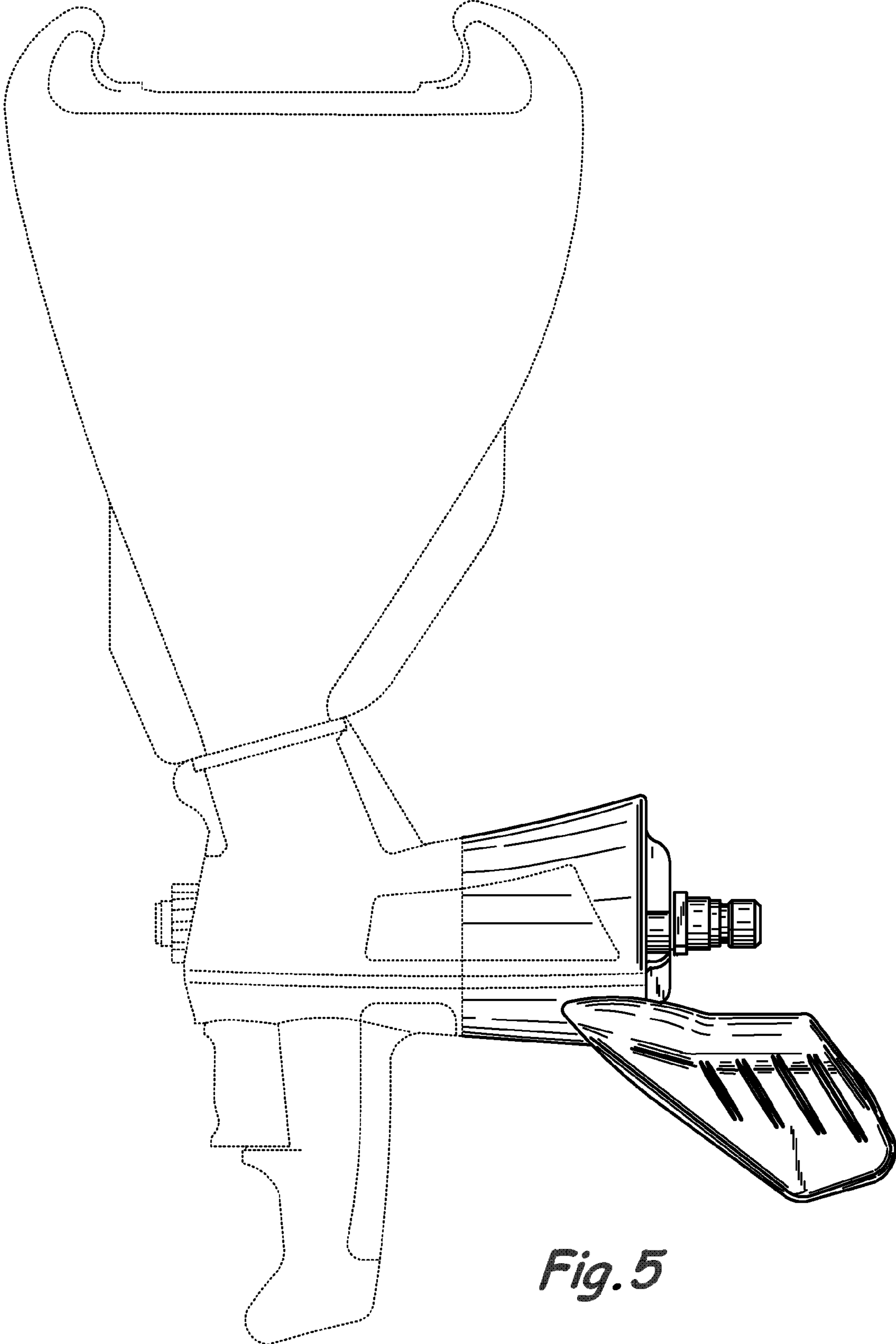


Fig. 5

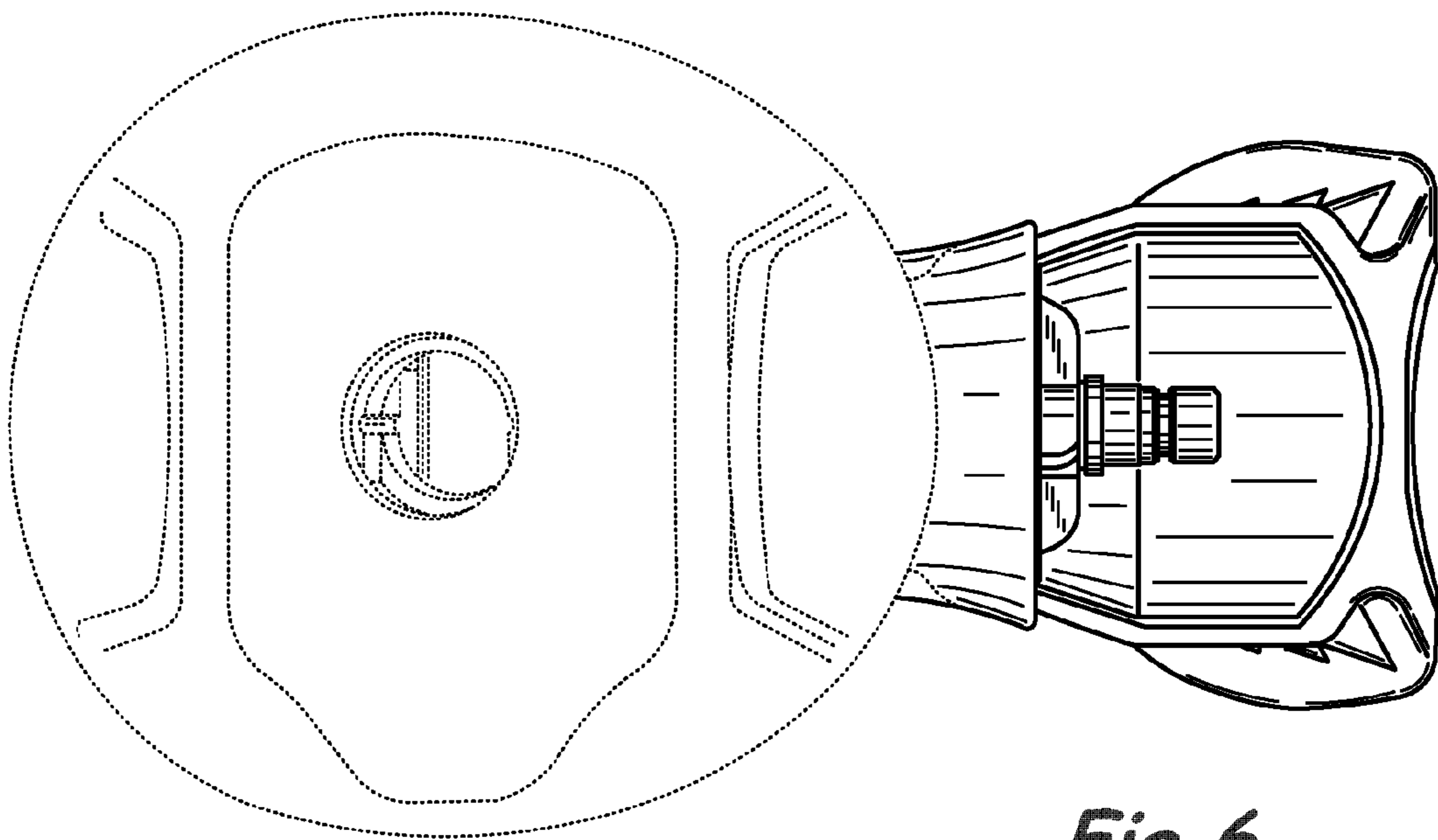


Fig. 6

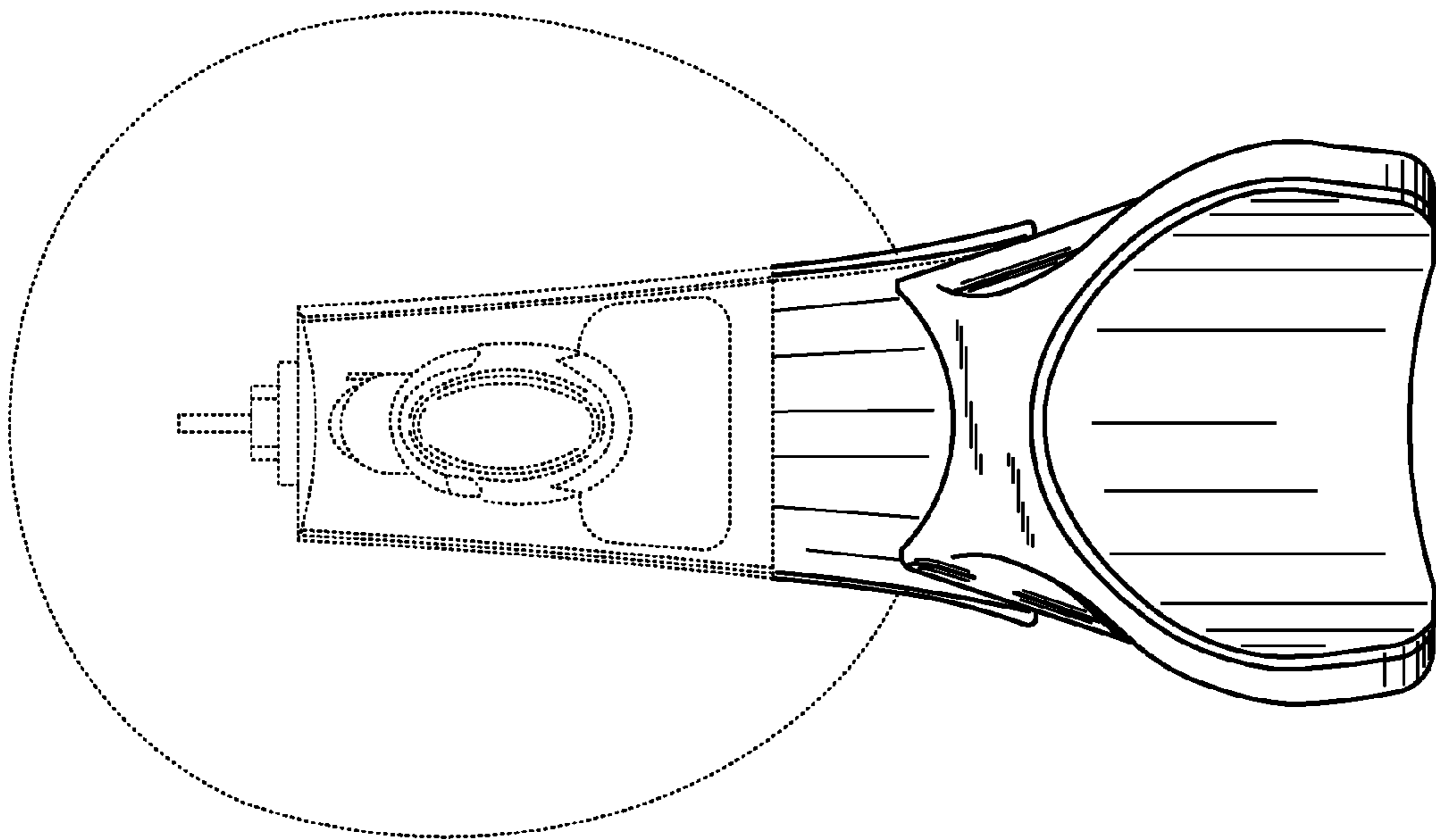


Fig. 7