



US00D623263S

(12) **United States Design Patent**
Bradley

(10) **Patent No.:** **US D623,263 S**

(45) **Date of Patent:** **** Sep. 7, 2010**

(54) **DEER SKIN REMOVAL TOOL**

(76) **Inventor:** **Jack J. Bradley**, 1262 Pine Crest Dr.,
Lugoff, SC (US) 29078

(**) **Term:** **14 Years**

(21) **Appl. No.:** **29/311,704**

(22) **Filed:** **May 28, 2009**

(51) **LOC (9) Cl.** **22-99**

(52) **U.S. Cl.** **D22/199**

(58) **Field of Classification Search** D22/199;
452/125, 132; D8/300, 303, 307, 313, 321
See application file for complete search history.

(56) **References Cited**

U.S. PATENT DOCUMENTS

2,749,172	A *	6/1956	Jacobs	294/26
2,765,128	A *	10/1956	Barth	242/388
5,033,987	A *	7/1991	Bloch	452/132
6,371,844	B1 *	4/2002	Holler	452/132

D523,515	S *	6/2006	Hacker	D22/149
7,392,739	B2 *	7/2008	LaFauci et al.	99/403
7,588,487	B1 *	9/2009	Born, Jr.	452/132

* cited by examiner

Primary Examiner—T. Chase Nelson

Assistant Examiner—Michael A Pratt

(74) *Attorney, Agent, or Firm*—The Nath Law Group; Gary M. Nath; Sheldon M. McGee

(57) **CLAIM**

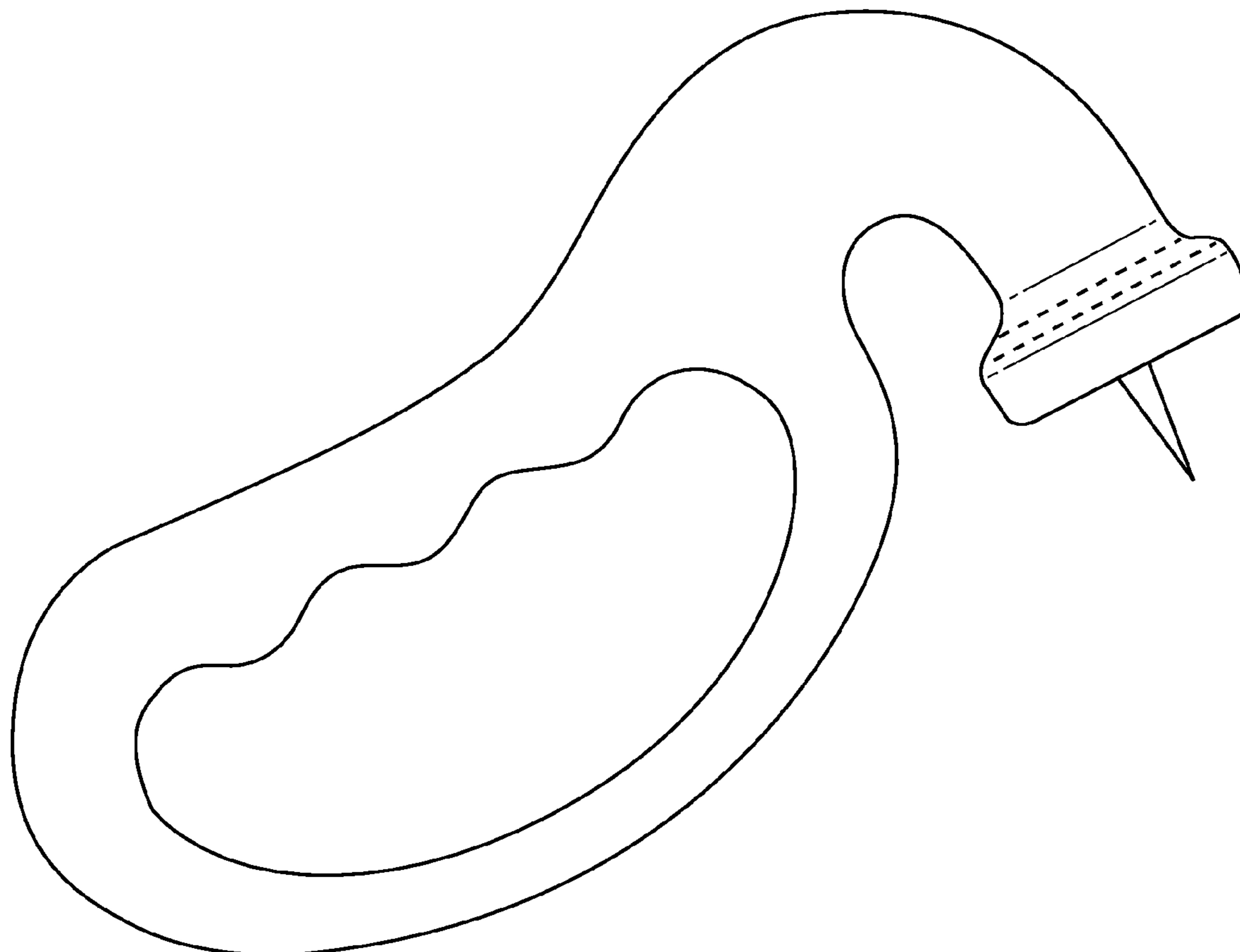
The ornamental design for a deer skin removal tool, as shown and described.

DESCRIPTION

FIG. 1 is a perspective view of the deer skin removal tool; and, FIG. 2 is a front elevation view thereof.

The broken line showing of FIG. 1 is included for the purpose of illustrating a portion of the deer skinning tool that forms no part of the claimed design.

1 Claim, 1 Drawing Sheet



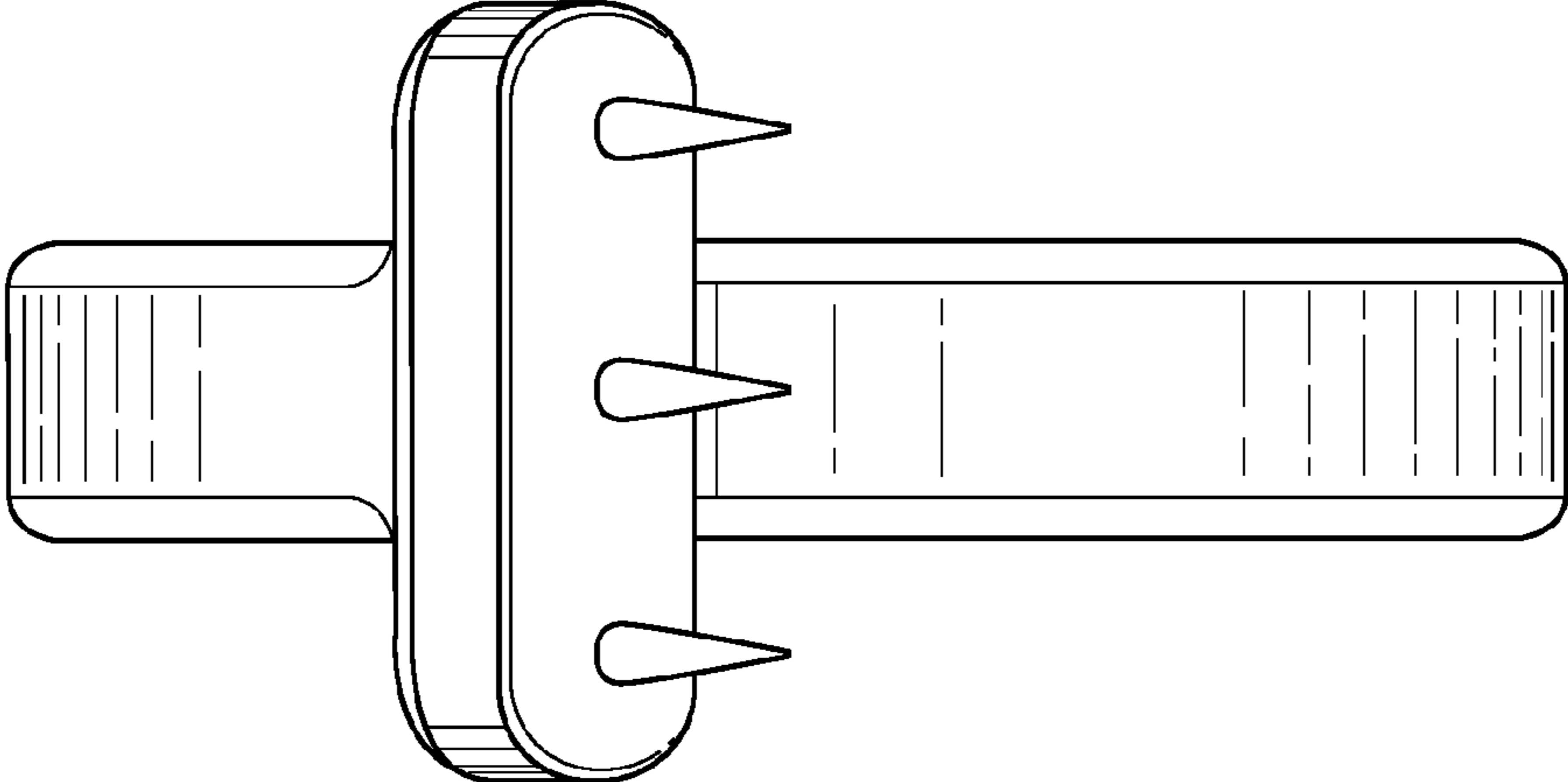


FIG. 2

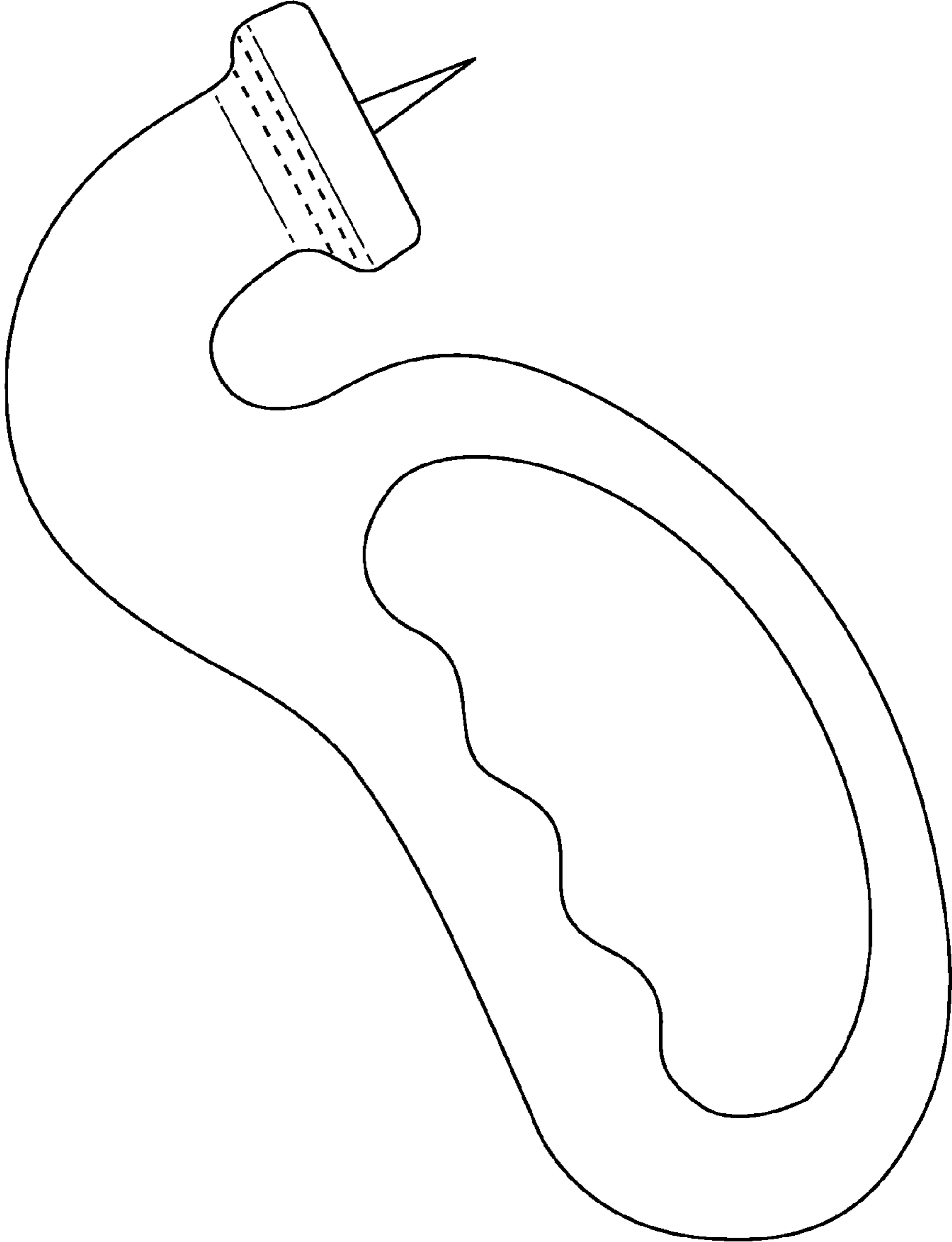


FIG. 1