



US00D623262S

(12) **United States Design Patent**
Kress et al.

(10) **Patent No.:** **US D623,262 S**
(45) **Date of Patent:** **** Sep. 7, 2010**

(54) **FISHING ROD GRIP**

(76) Inventors: **James Howard Kress**, 580 Harwood Ave., Satellite Beach, FL (US) 32937;
James Lewis DeVriendt, II, 3845 Grand Meadows Blvd., Melbourne, FL (US) 32934

(**) Term: **14 Years**

(21) Appl. No.: **29/352,538**

(22) Filed: **Dec. 22, 2009**

(51) **LOC (9) Cl.** **22-05**

(52) **U.S. Cl.** **D22/142**

(58) **Field of Classification Search** D22/134,
D22/137-142; D3/12; 43/18.1, 19-22; D8/300,
D8/303, 305, 310, 313; D21/796; D7/664
See application file for complete search history.

(56) **References Cited**

U.S. PATENT DOCUMENTS

D212,326 S	*	10/1968	Steiner	D7/664
D221,147 S		7/1971	Mimeur		
D230,975 S	*	3/1974	Carlson	D22/142
D247,972 S		5/1978	Ader		
D256,491 S		8/1980	Nakamura		
D258,675 S		3/1981	Sisty		
D258,977 S		4/1981	Sakamoto		
D290,385 S		6/1987	McNeil		
D290,734 S		7/1987	Matsui		
D294,164 S		2/1988	Andreason		
D303,701 S		9/1989	Matsumoto		

D324,409 S		3/1992	LaTouche		
D373,812 S		9/1996	Takizawa		
D378,849 S		4/1997	Myojo		
D381,391 S		7/1997	Myojo		
D443,322 S		6/2001	Henry		
D488,984 S	*	4/2004	Chun-Lee	D8/303
D516,653 S		3/2006	Gazeley		
D596,476 S	*	7/2009	Welch	D8/303

* cited by examiner

Primary Examiner—Catherine R Oliver

(74) *Attorney, Agent, or Firm*—QuickPatents, Inc.; Kevin Prince

(57) **CLAIM**

What is claimed is the ornamental design for a fishing rod grip, as shown and described.

DESCRIPTION

FIG. 1 is a perspective view of a fishing rod grip, showing the new design;

FIG. 2 is a front elevational view thereof;

FIG. 3 is a rear elevational view thereof;

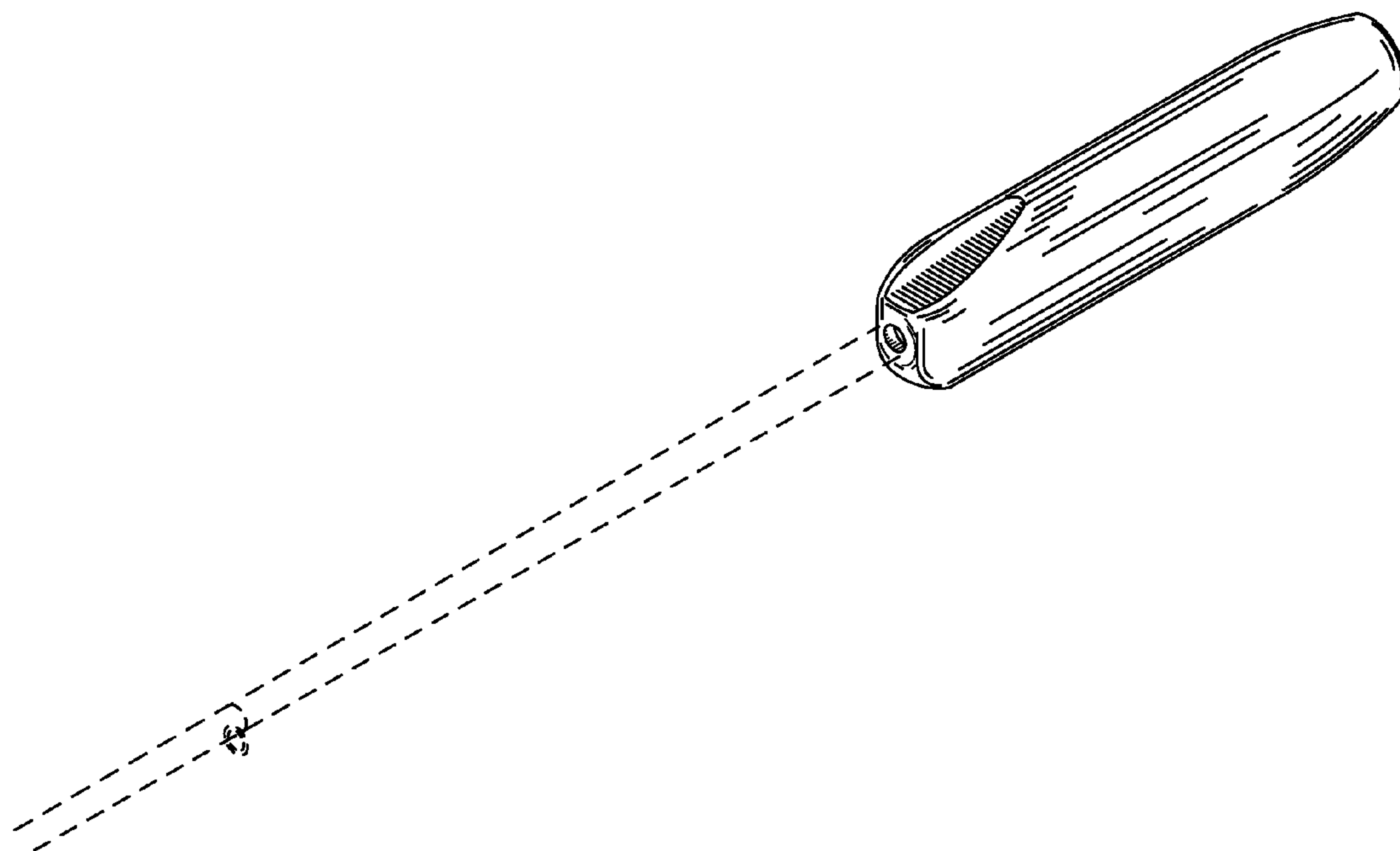
FIG. 4 is a left-side elevational view thereof, the right-side elevational view being a mirror image thereof;

FIG. 5 is a top plan view thereof; and,

FIG. 6 is a bottom plan view thereof.

The broken lines showing a fishing rod in FIG. 1 are included for the purpose of illustrating the invention in use, and form no part of the claimed design.

1 Claim, 2 Drawing Sheets



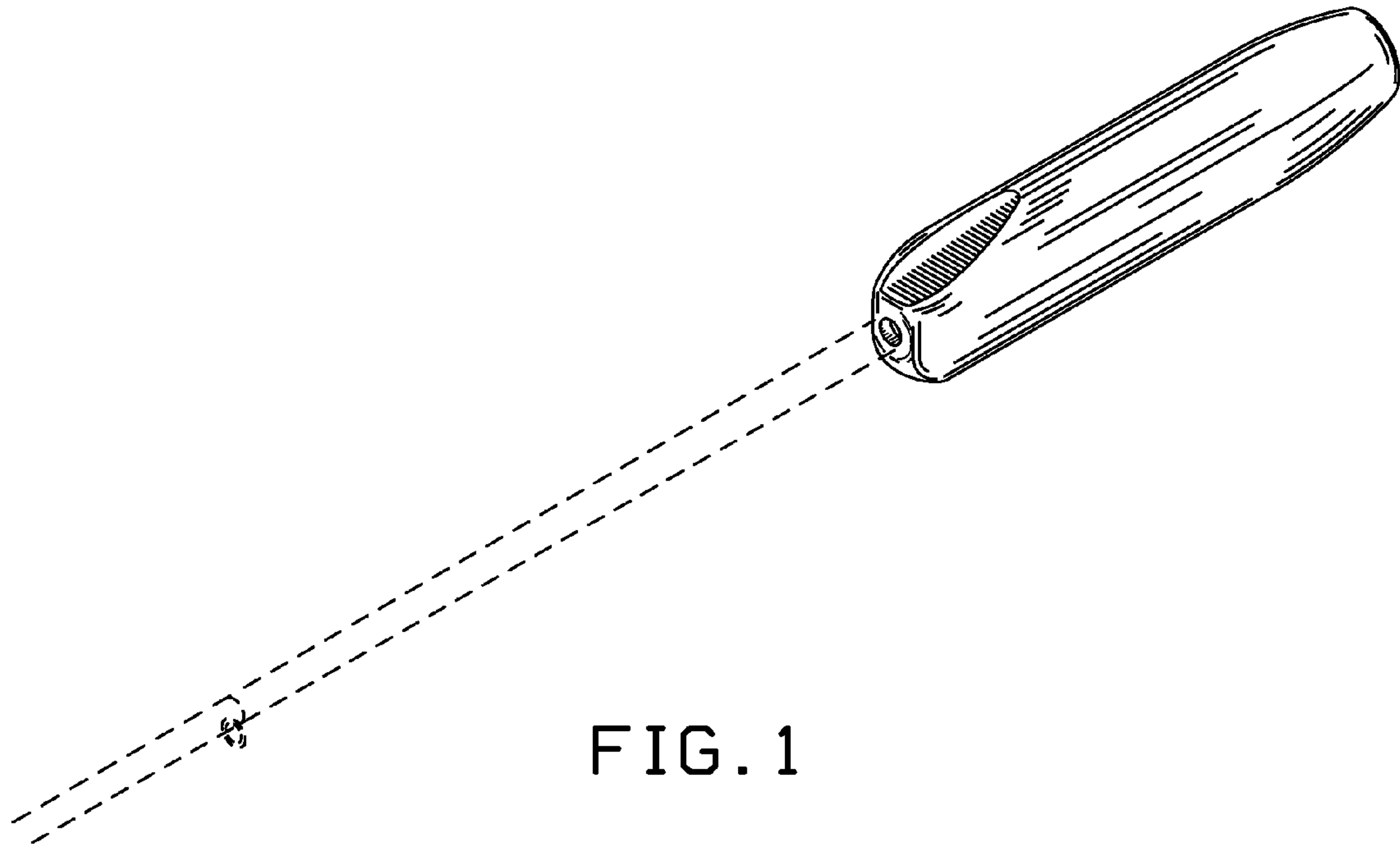


FIG. 1

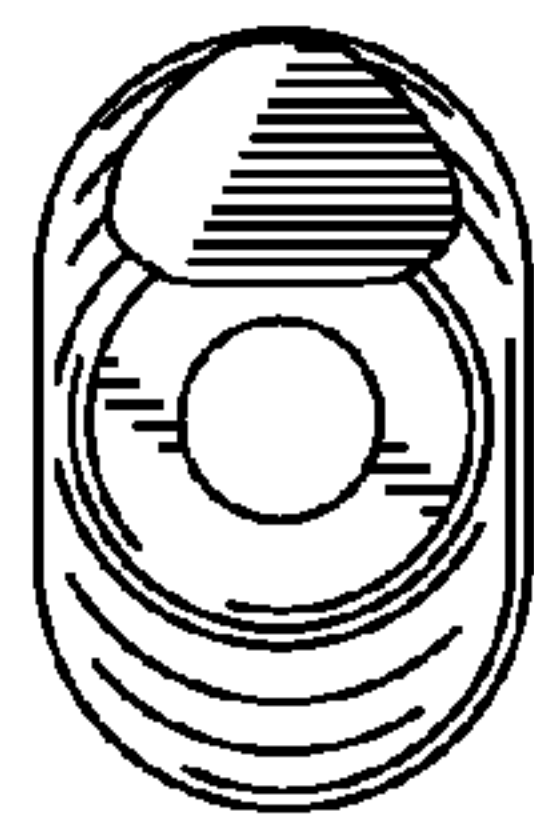


FIG. 2

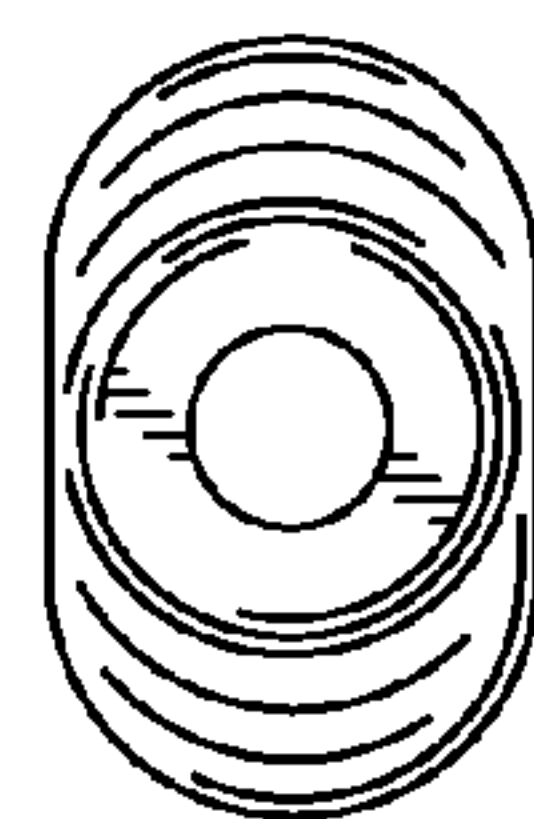


FIG. 3

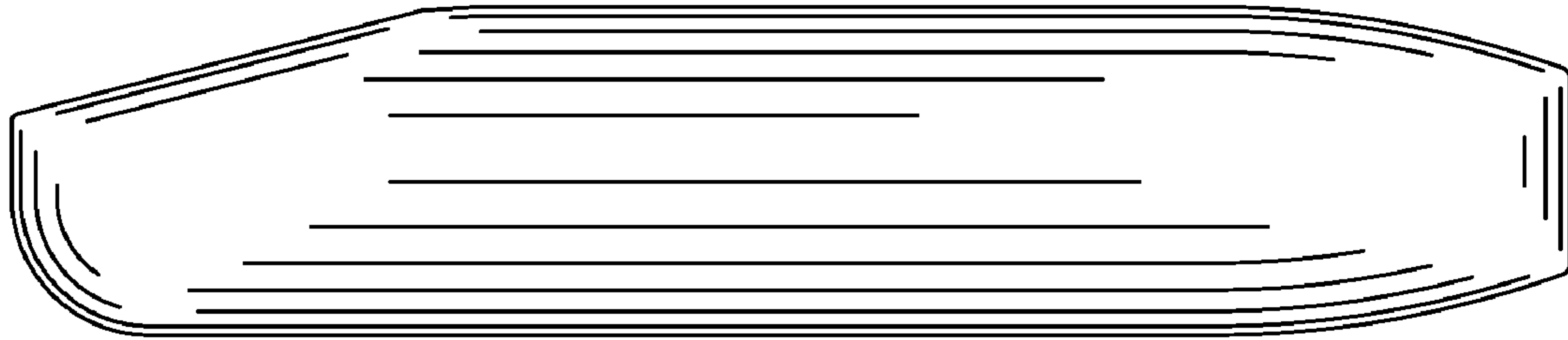


FIG. 4

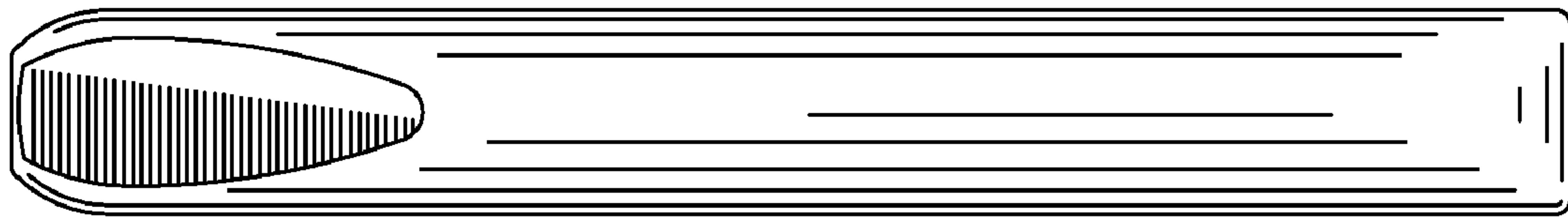


FIG. 5

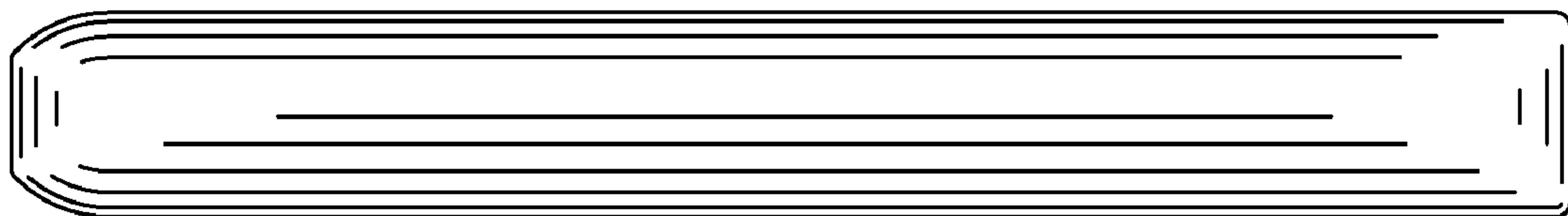


FIG. 6