



US00D623258S

(12) **United States Design Patent**
Zhou et al.

(10) **Patent No.:** **US D623,258 S**

(45) **Date of Patent:** **** Sep. 7, 2010**

(54) **LIQUID BAIT STATION**

(75) Inventors: **Yan Zhou**, Santa Clara, CA (US);
Daniel L. Walters, San Leandro, CA (US)

(73) Assignee: **Central Garden & Pet Company**,
Walnut Creek, CA (US)

(**) Term: **14 Years**

(21) Appl. No.: **29/355,605**

(22) Filed: **Feb. 10, 2010**

(51) **LOC (9) Cl.** **22-06**

(52) **U.S. Cl.** **D22/119**

(58) **Field of Classification Search** D22/119-124;
43/131, 121, 115-116, 124, 132.1
See application file for complete search history.

(56) **References Cited**

U.S. PATENT DOCUMENTS

D326,890 S * 6/1992 Mares D22/119
D347,675 S * 6/1994 Demarest et al. D22/119

D366,689 S * 1/1996 Mares et al. D22/122
D451,573 S * 12/2001 Clark et al. D22/122
D587,334 S * 2/2009 Cink D22/122

* cited by examiner

Primary Examiner—Catherine R Oliver

(74) *Attorney, Agent, or Firm*—Morgan, Lewis & Bockius
LLP; Victor E. Johnson

(57) **CLAIM**

The ornamental design for a liquid bait station, as shown.

DESCRIPTION

FIG. 1 is an upper perspective view showing our new design;

FIG. 2 is a lower perspective view thereof;

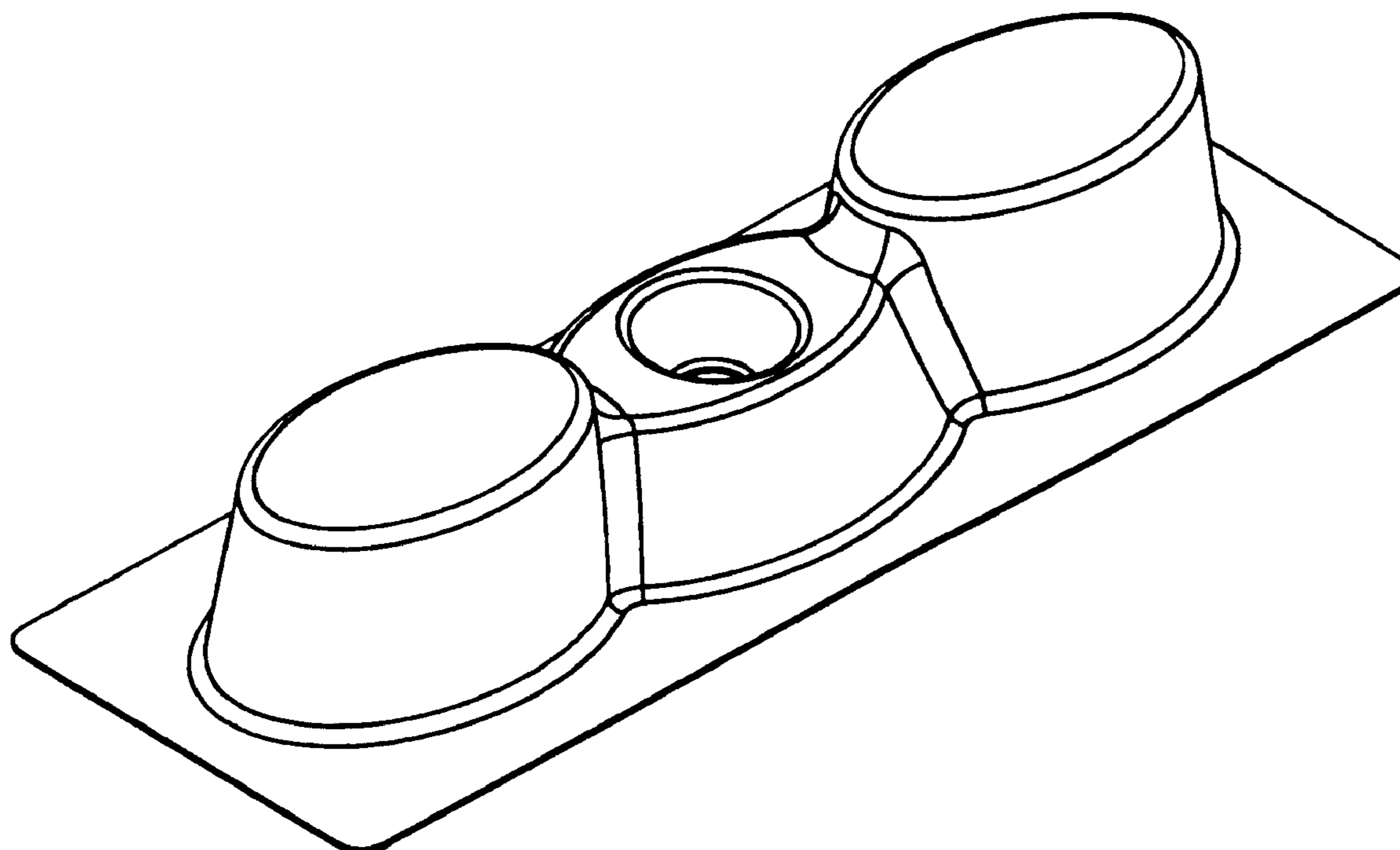
FIG. 3 is a top plan view thereof;

FIG. 4 is a front elevational view thereof, with the rear being
a mirror image thereof;

FIG. 5 is a right side elevational view thereof, with the other
side being a mirror image thereof; and,

FIG. 6 is a bottom plan view thereof.

1 Claim, 2 Drawing Sheets



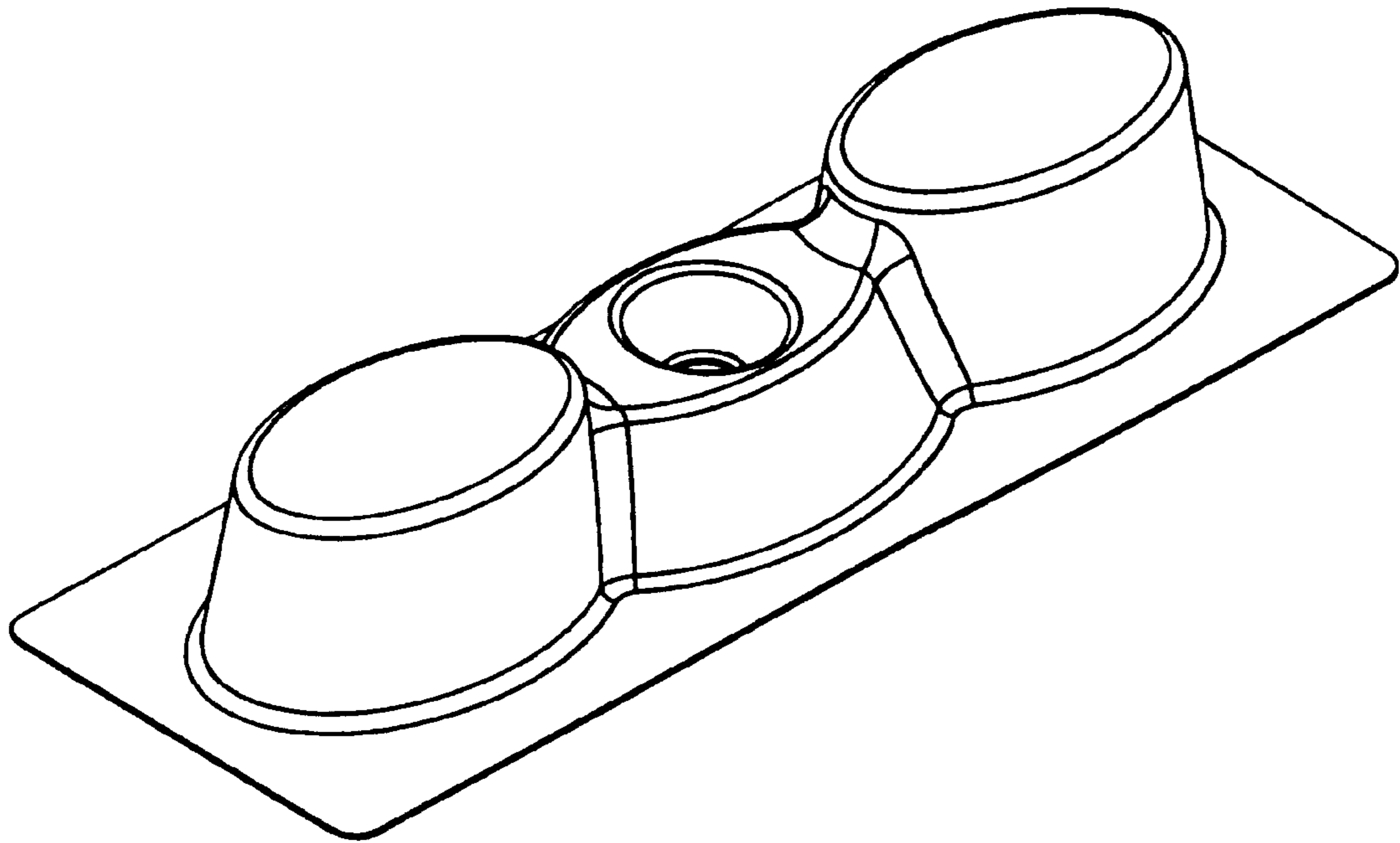


FIG. 1

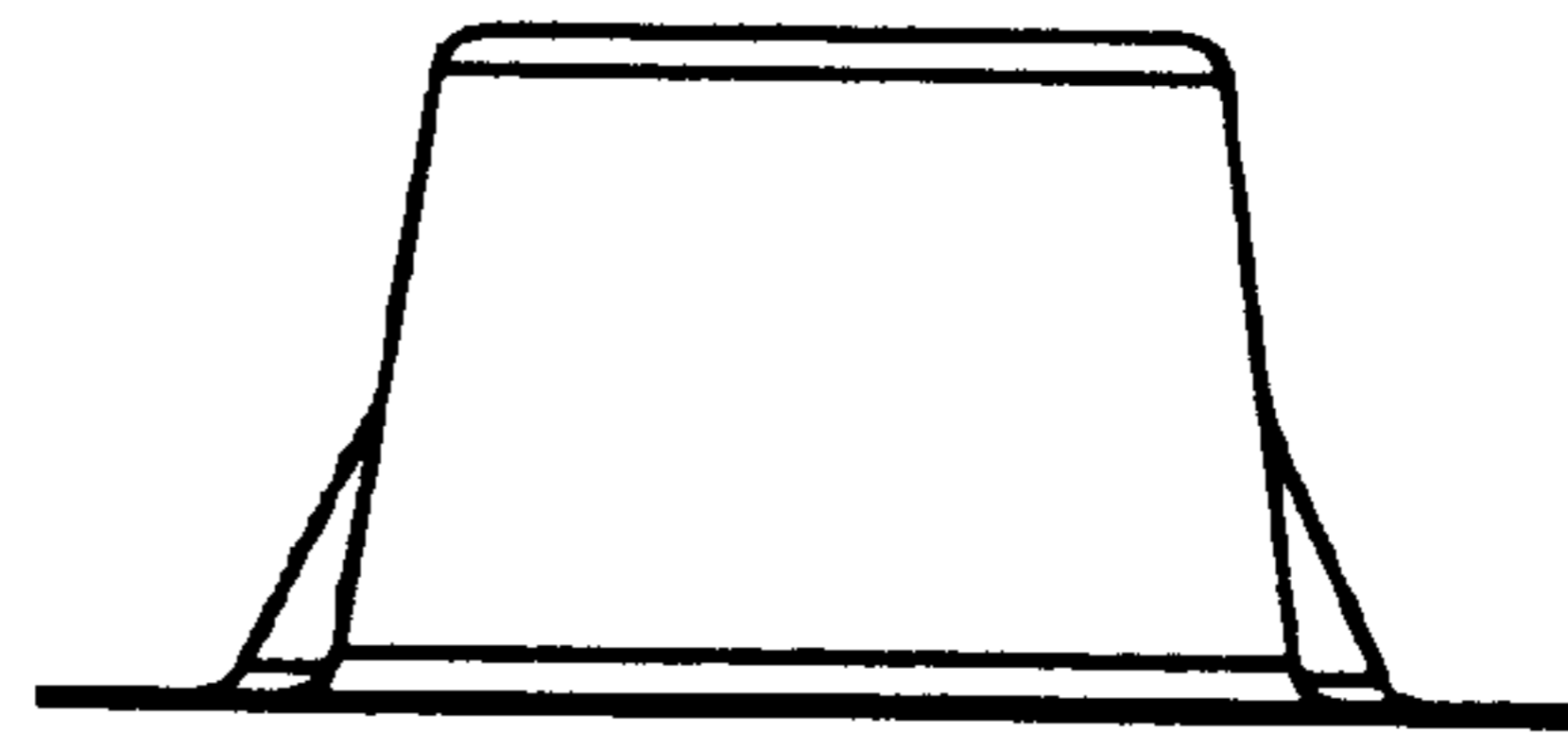


FIG. 5

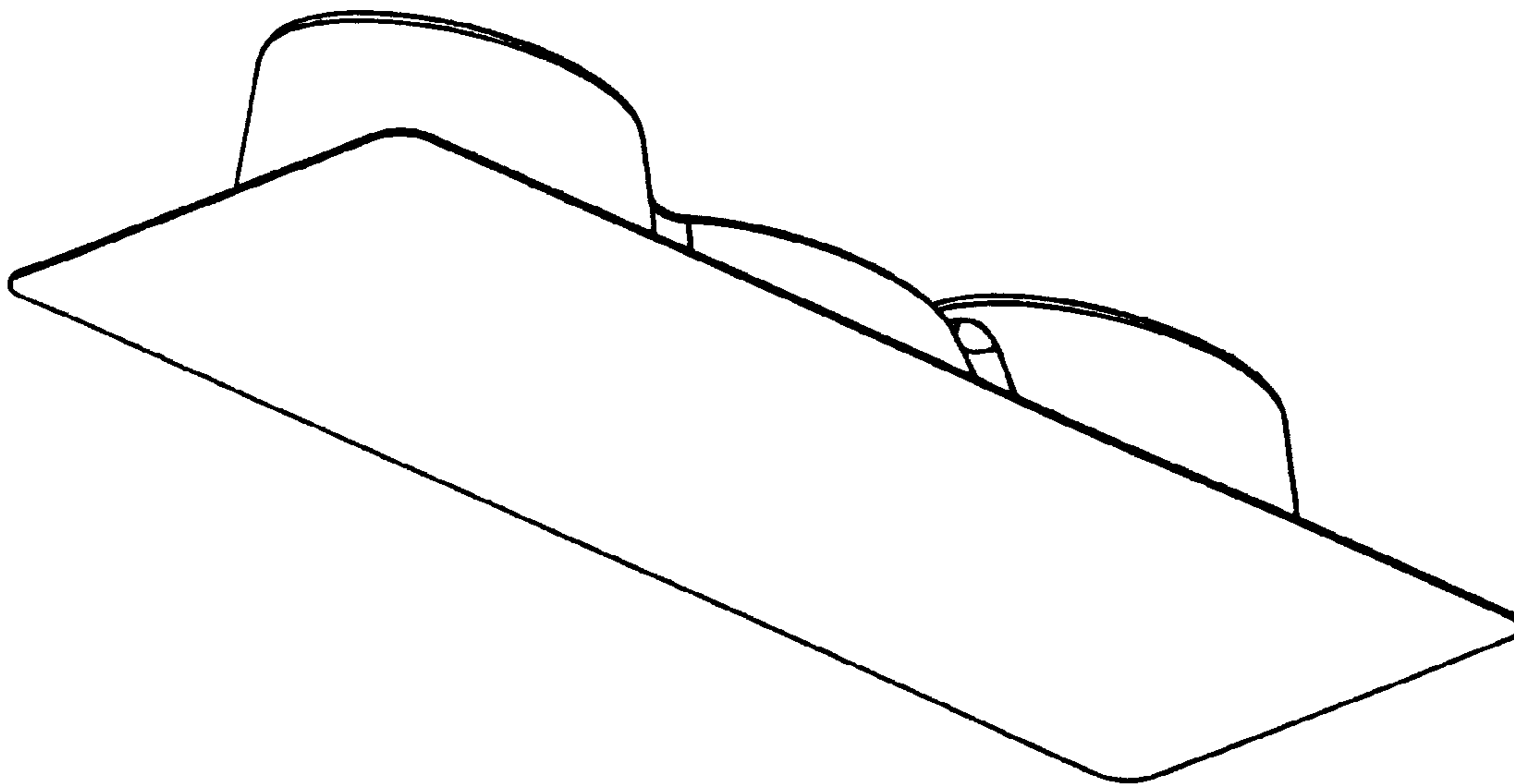


FIG. 2

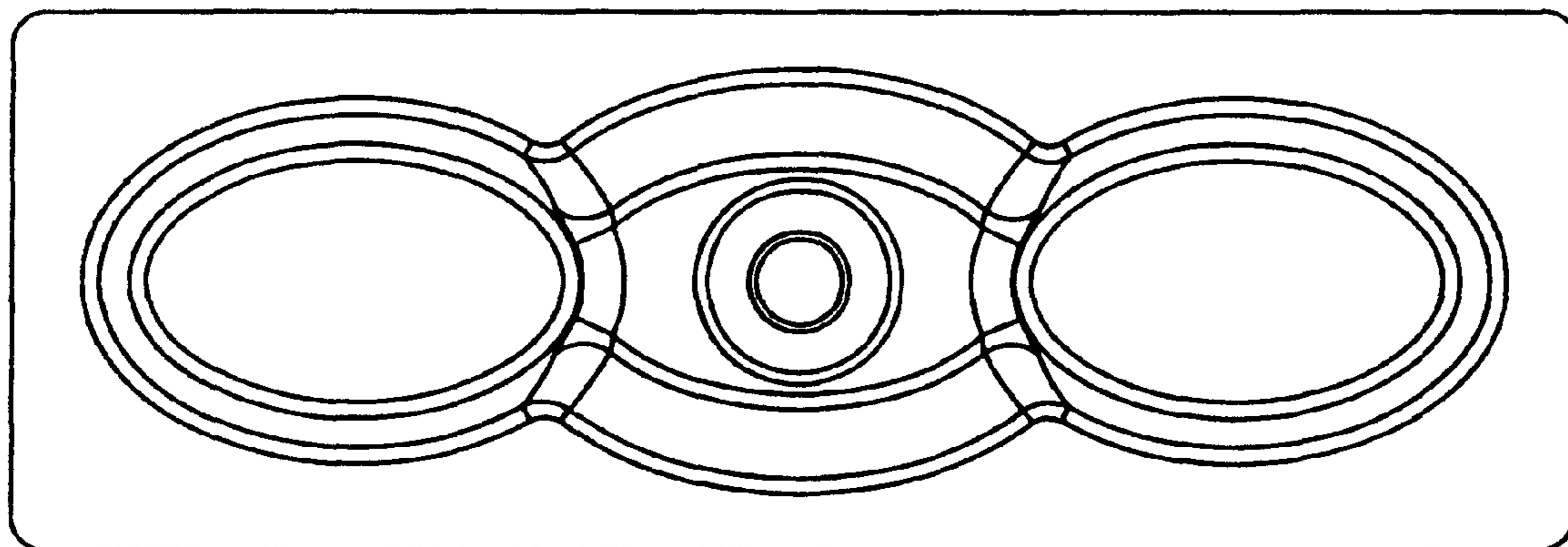


FIG. 3

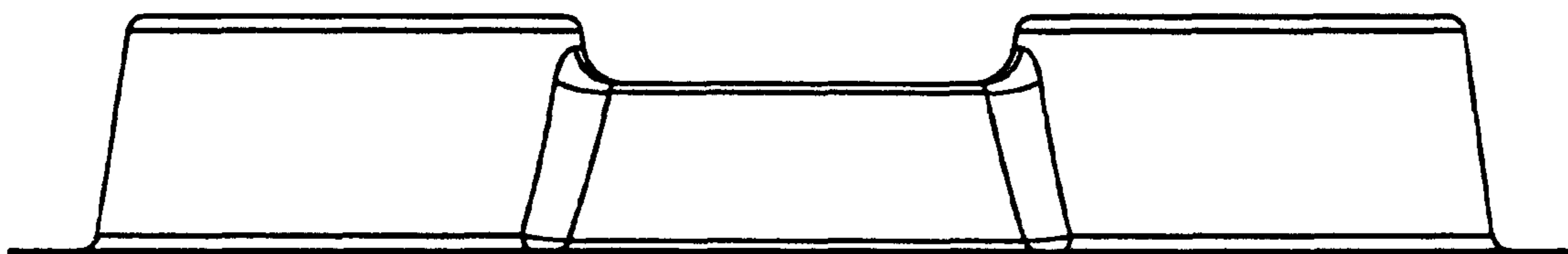


FIG. 4

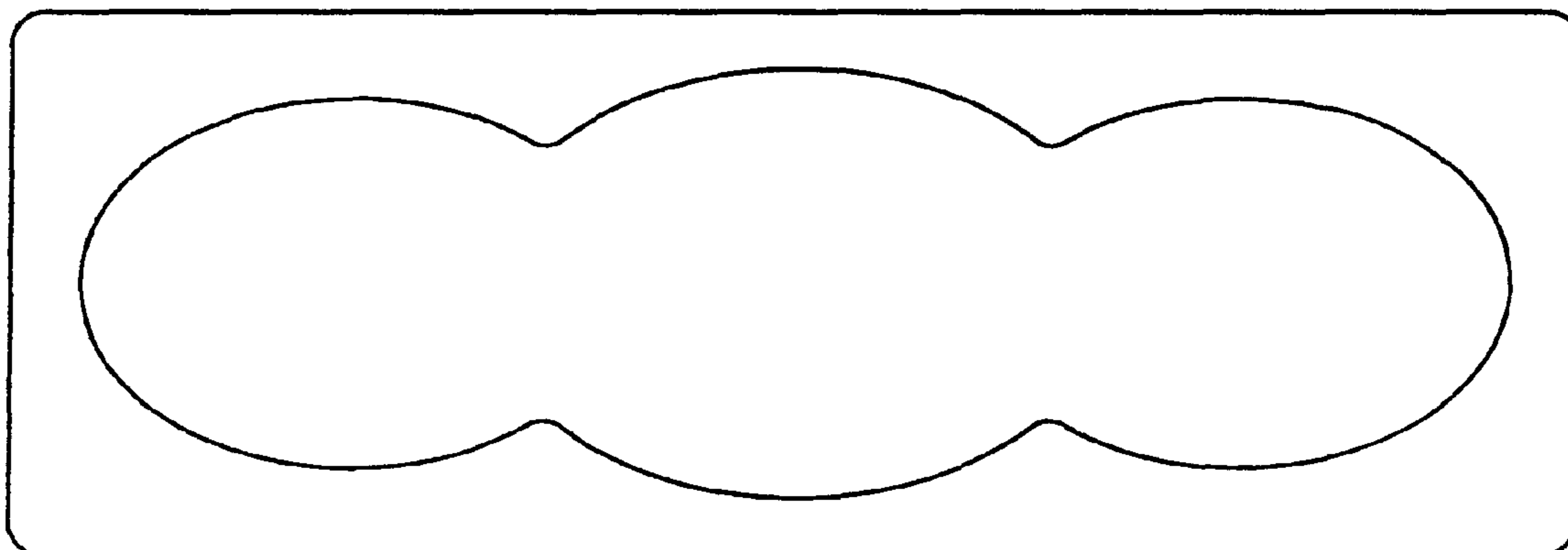


FIG. 6