

US00D623257S

(12) **United States Design Patent**
Bush

(10) **Patent No.:** **US D623,257 S**

(45) **Date of Patent:** **** Sep. 7, 2010**

(54) **ARMADILLO TRAP**

(76) Inventor: **Charles E. Bush**, 7755 Joe Bryan Hwy.,
Damascus, GA (US) 39841

(**) Term: **14 Years**

(21) Appl. No.: **29/353,925**

(22) Filed: **Jan. 15, 2010**

(51) **LOC (9) Cl.** **22-06**

(52) **U.S. Cl.** **D22/119**

(58) **Field of Classification Search** D22/119-124;
43/58-63, 74, 76, 81-83, 98, 105, 124, 131
See application file for complete search history.

(56) **References Cited**

U.S. PATENT DOCUMENTS

3,585,750 A	6/1971	Routt	
D244,773 S *	6/1977	Curtis	D22/119
D274,546 S *	7/1984	Scarpelli	D22/119
D389,611 S	1/1998	Giacomozzi	
D470,562 S	2/2003	Lafforthun	
D547,411 S	7/2007	Jan	
D582,504 S	12/2008	Wiesener et al.	
7,540,109 B2 *	6/2009	Hall	43/61
D614,725 S *	4/2010	James	D22/119

* cited by examiner

Primary Examiner—Catherine R Oliver
(74) *Attorney, Agent, or Firm*—QuickPatents, Inc.; Kevin Prince

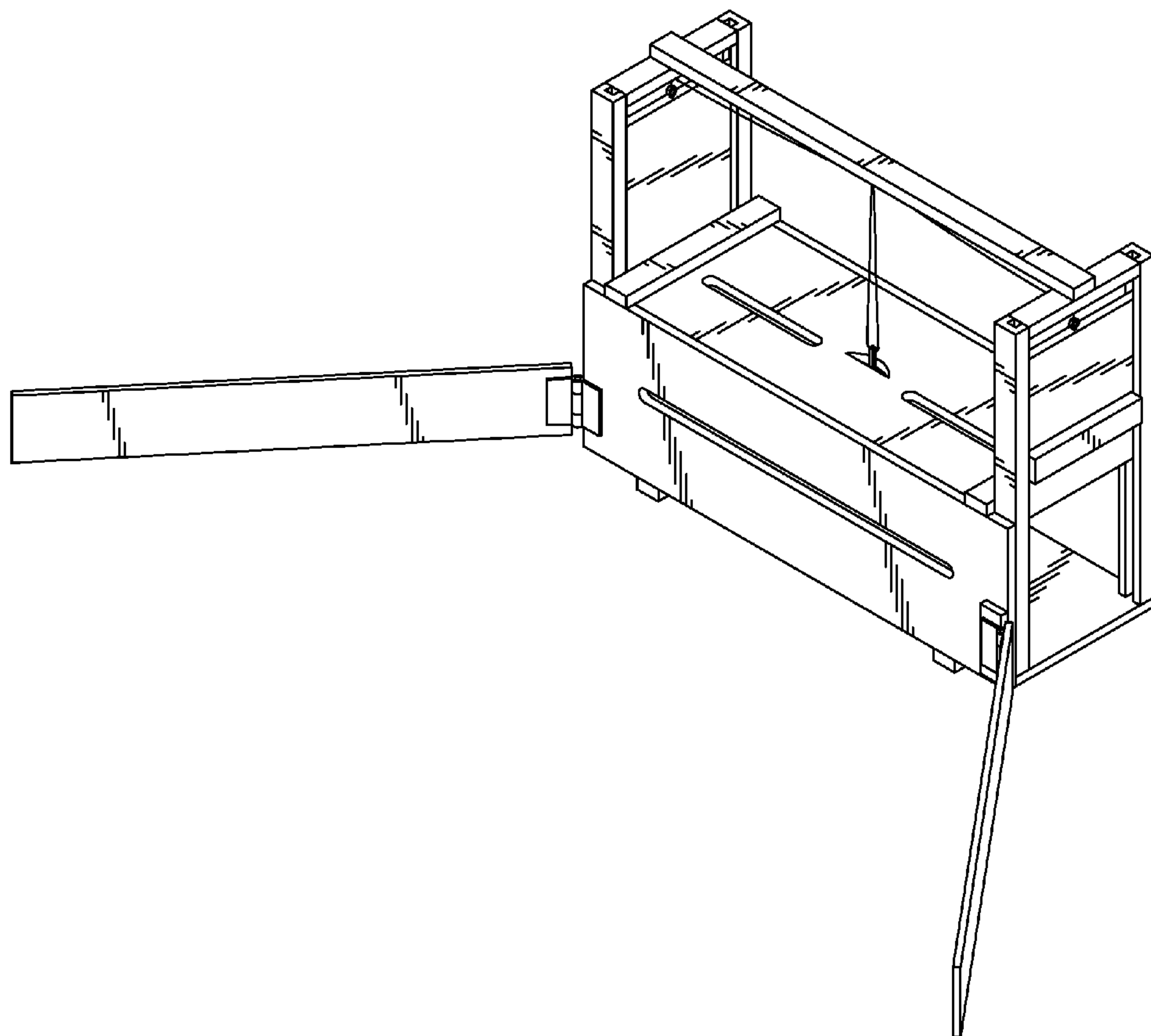
(57) **CLAIM**

What is claimed is the ornamental design for a armadillo trap, as shown and described.

DESCRIPTION

FIG. 1 is a perspective view of a armadillo trap, illustrated with trap doors in a raised position, showing the new design; FIG. 2 is a top plan view thereof; FIG. 3 is a front elevational view thereof; FIG. 4 is a left-side elevational view thereof; FIG. 5 is a right-side elevational view thereof; FIG. 6 is a rear elevational view thereof; FIG. 7 is a bottom plan view thereof; FIG. 8 is a perspective view thereof, illustrated with the trap doors in a lowered position; FIG. 9 is a front elevational view thereof; and, FIG. 10 is a left-side elevational view thereof, the right-side elevational view being a mirror image thereof and similar to FIG. 5 except for the position of the trap doors.

1 Claim, 4 Drawing Sheets



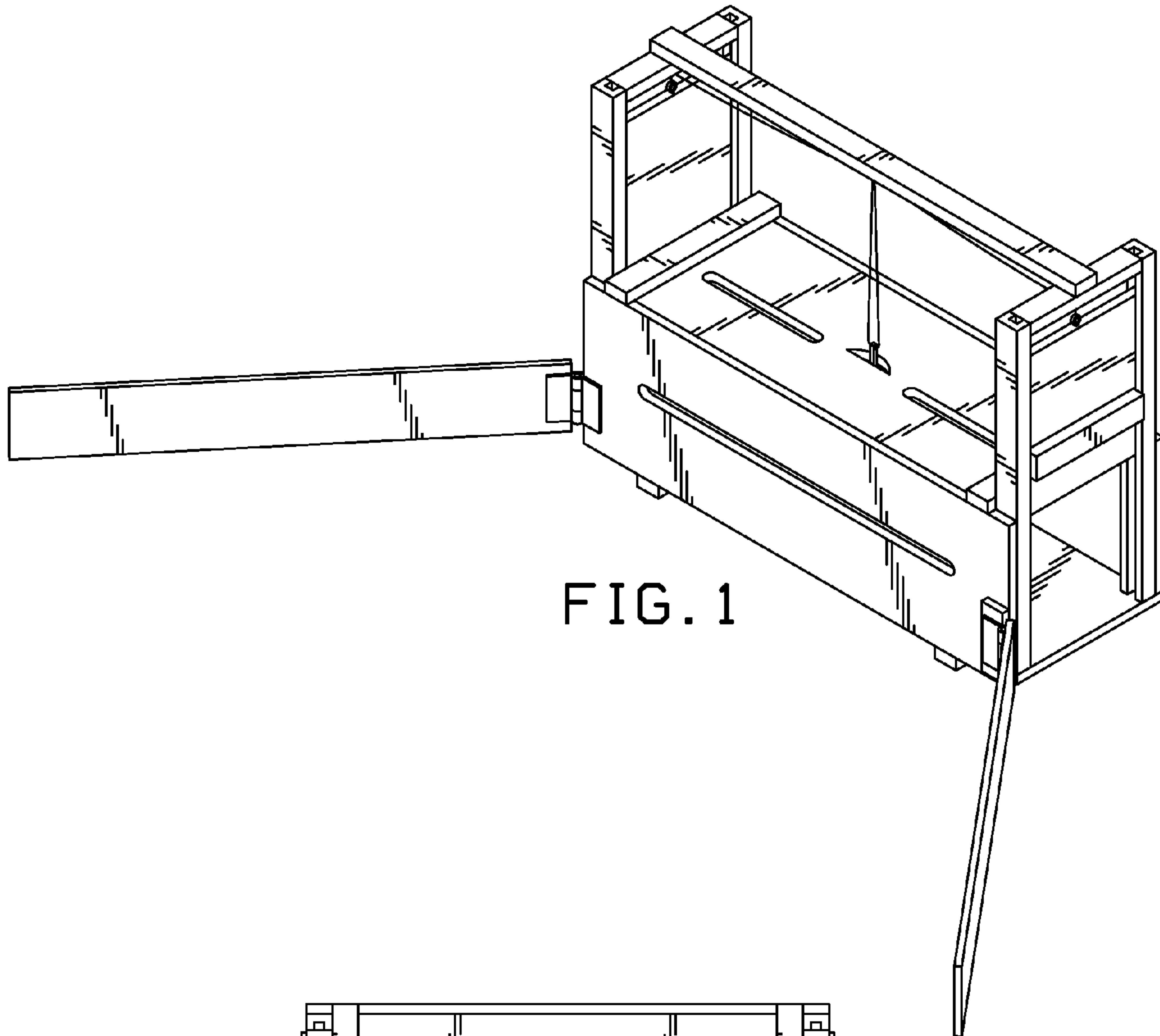


FIG. 1

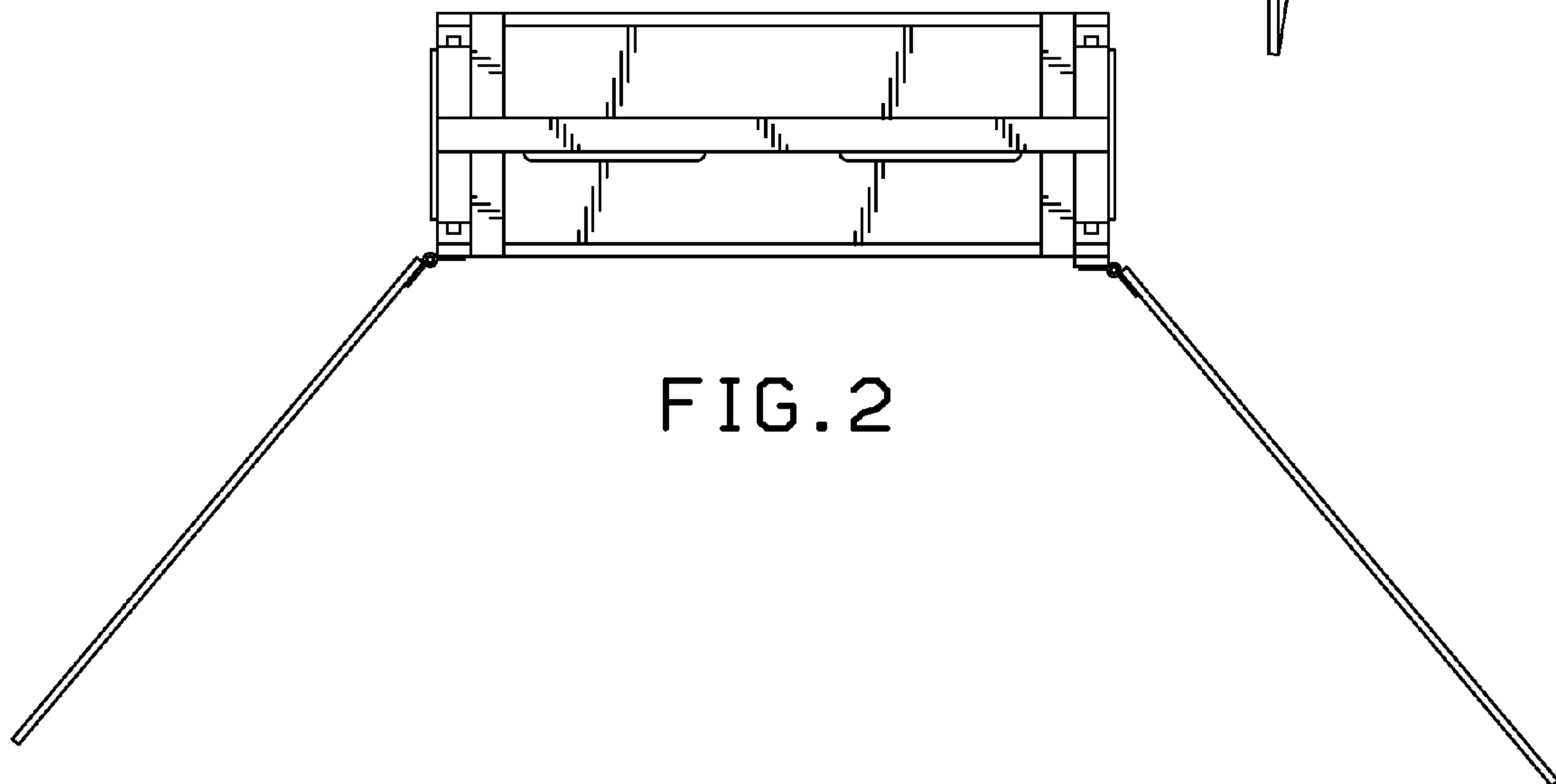
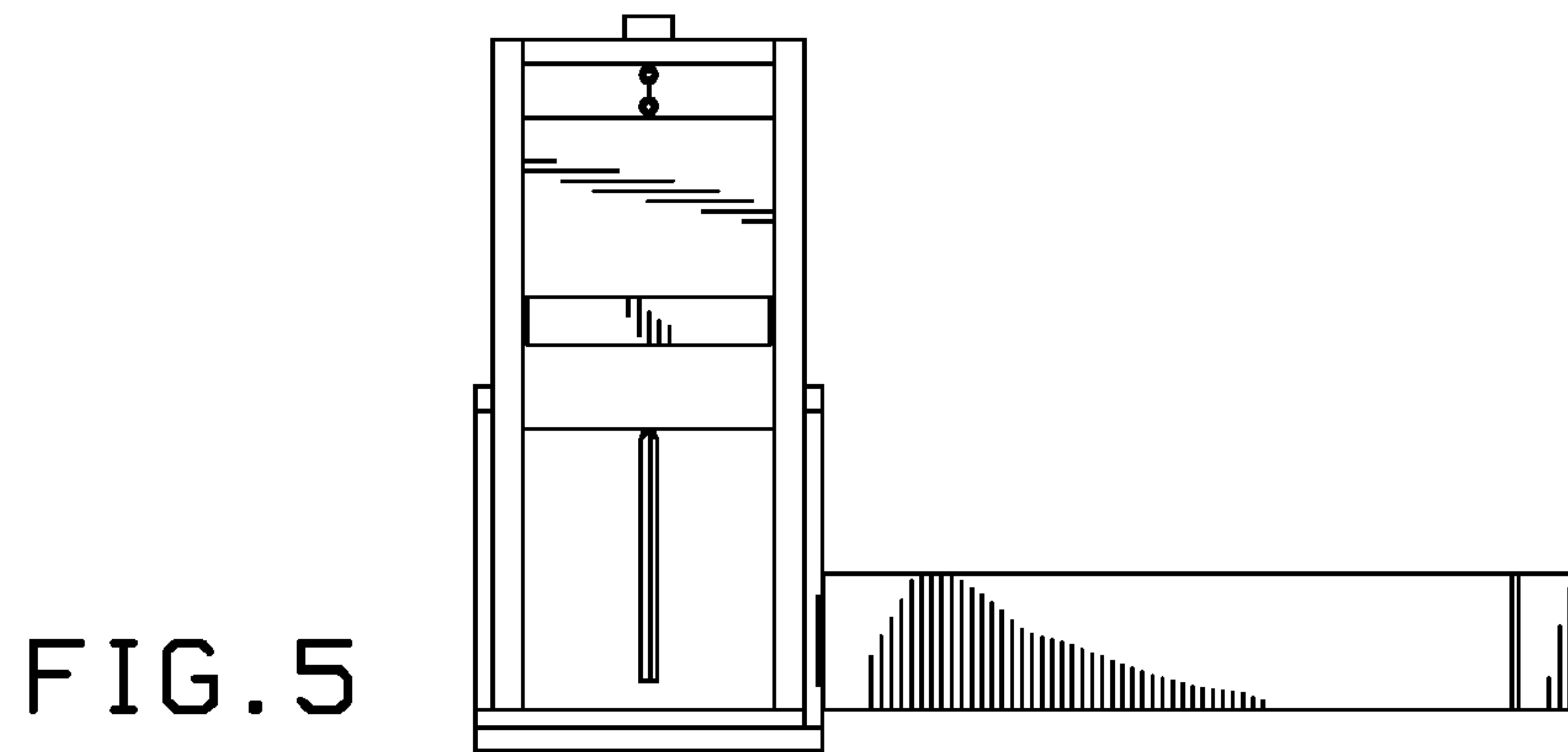
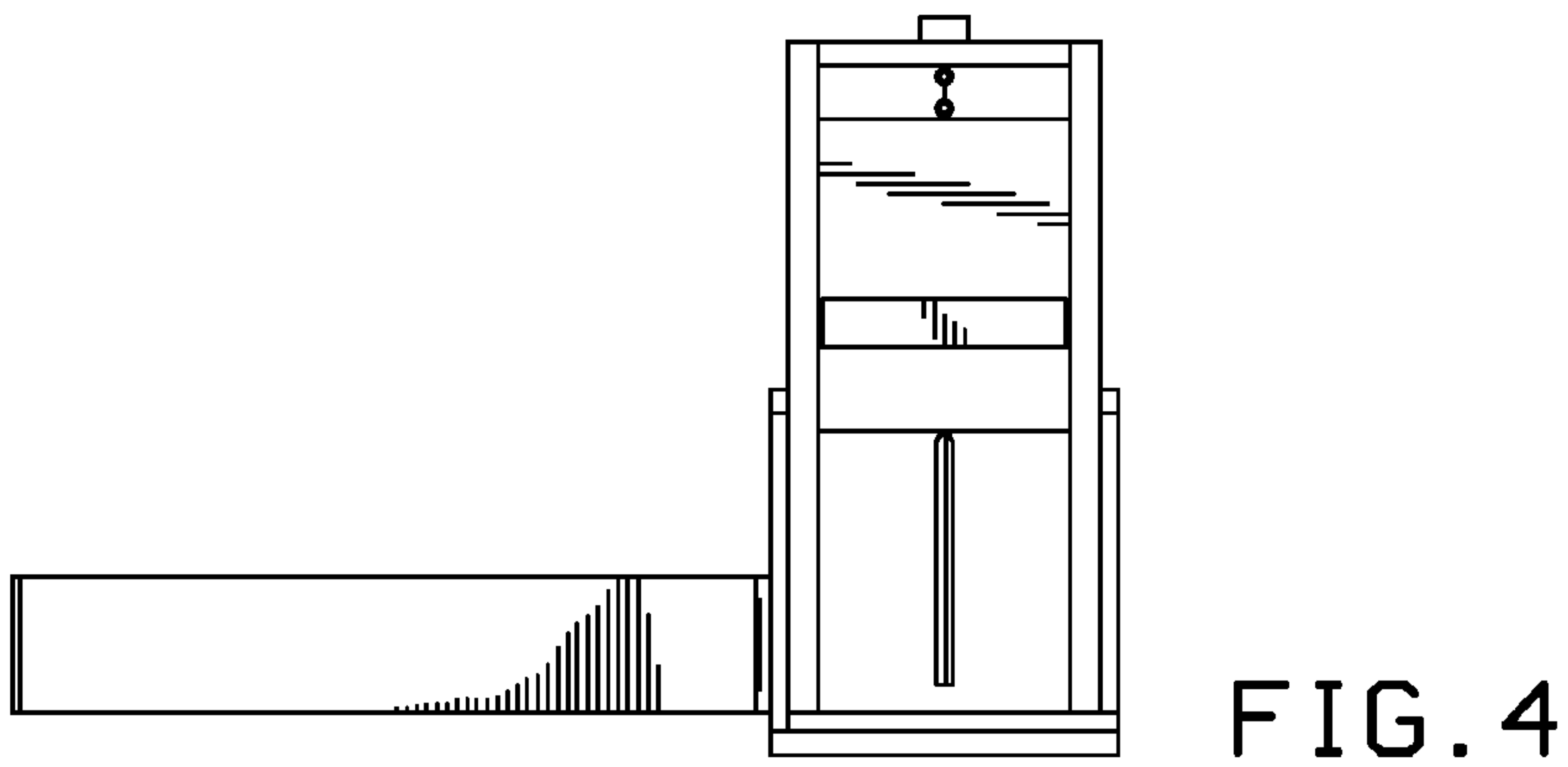
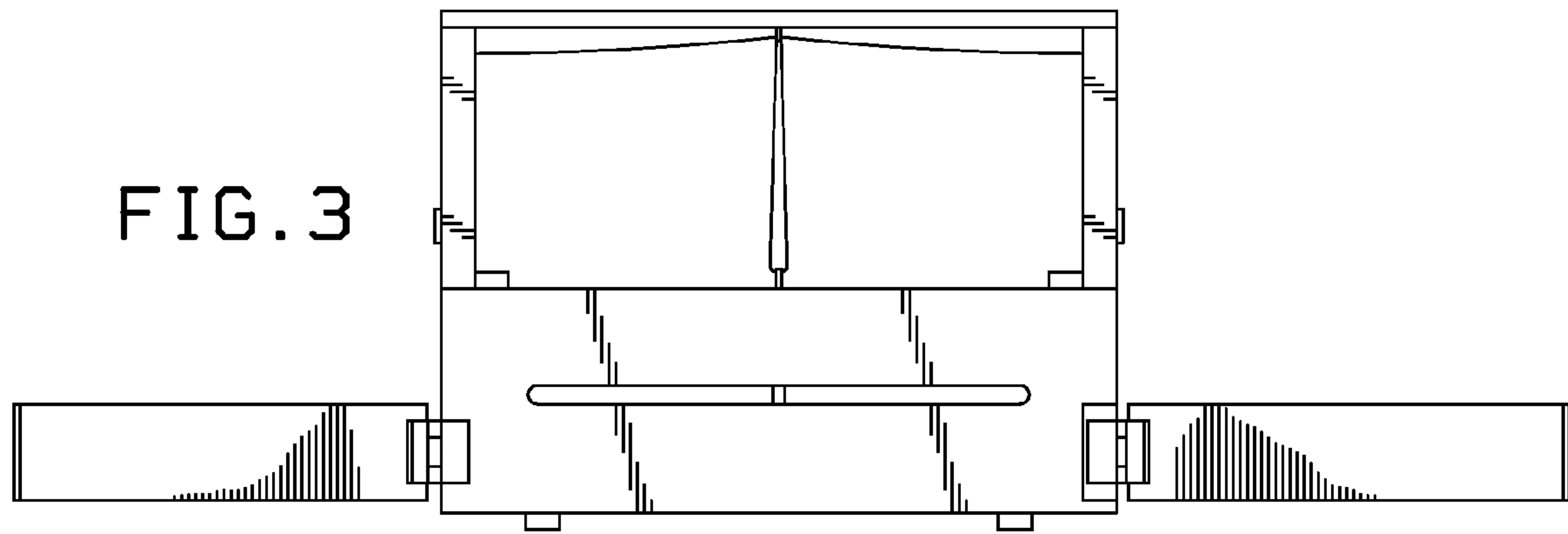
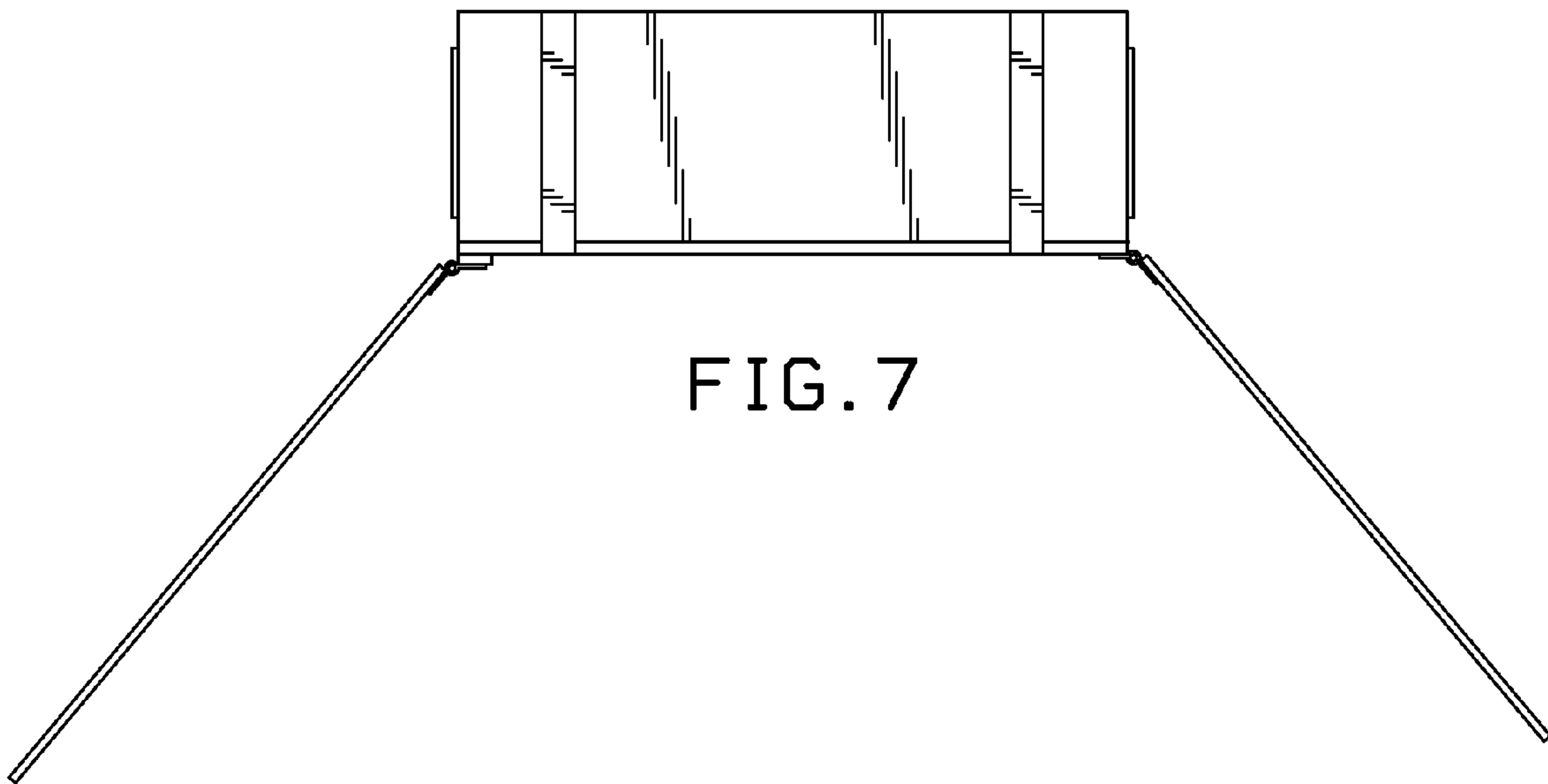
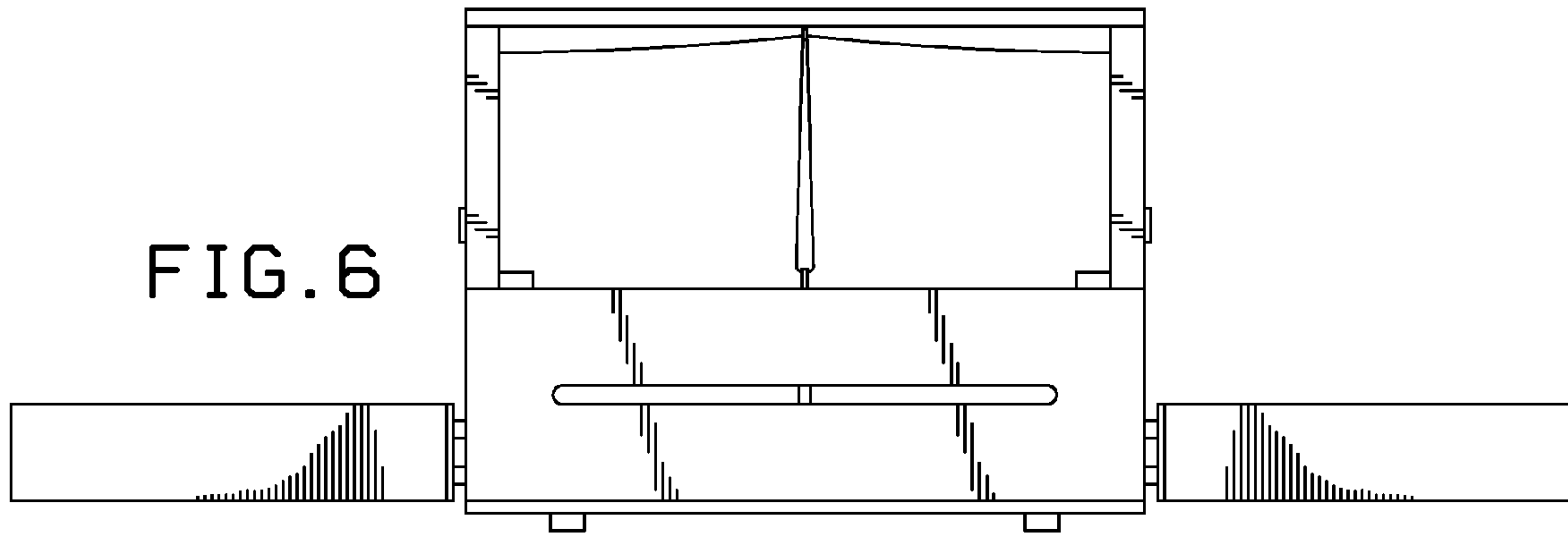


FIG. 2





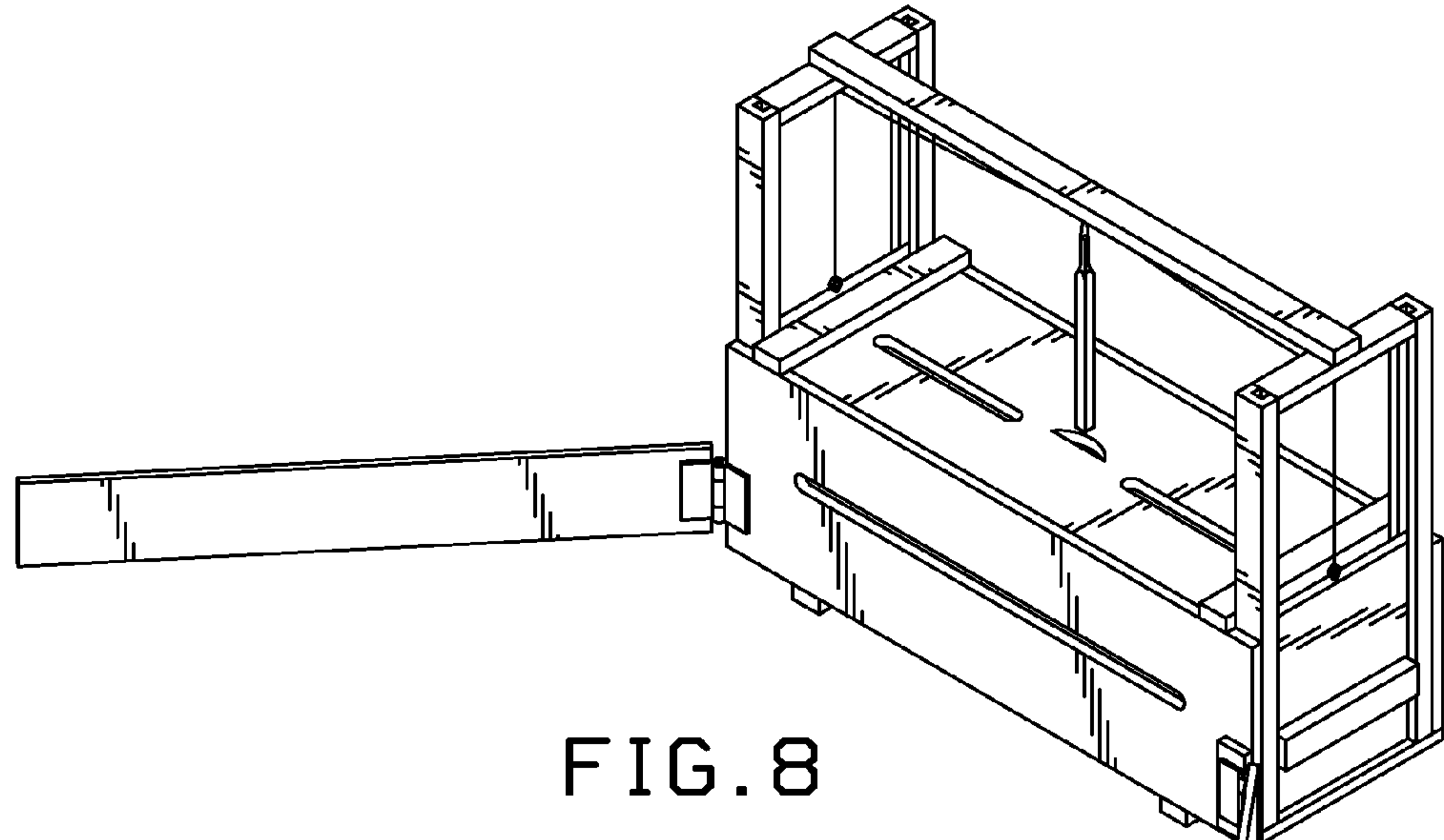


FIG. 8

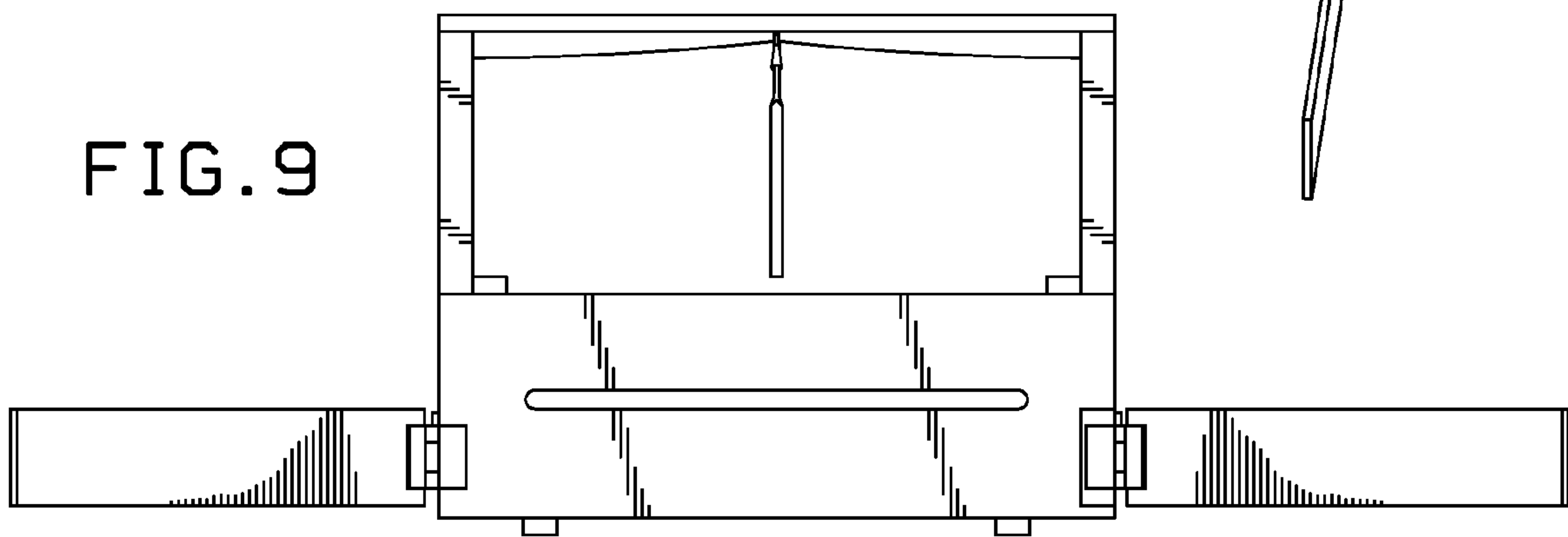


FIG. 9

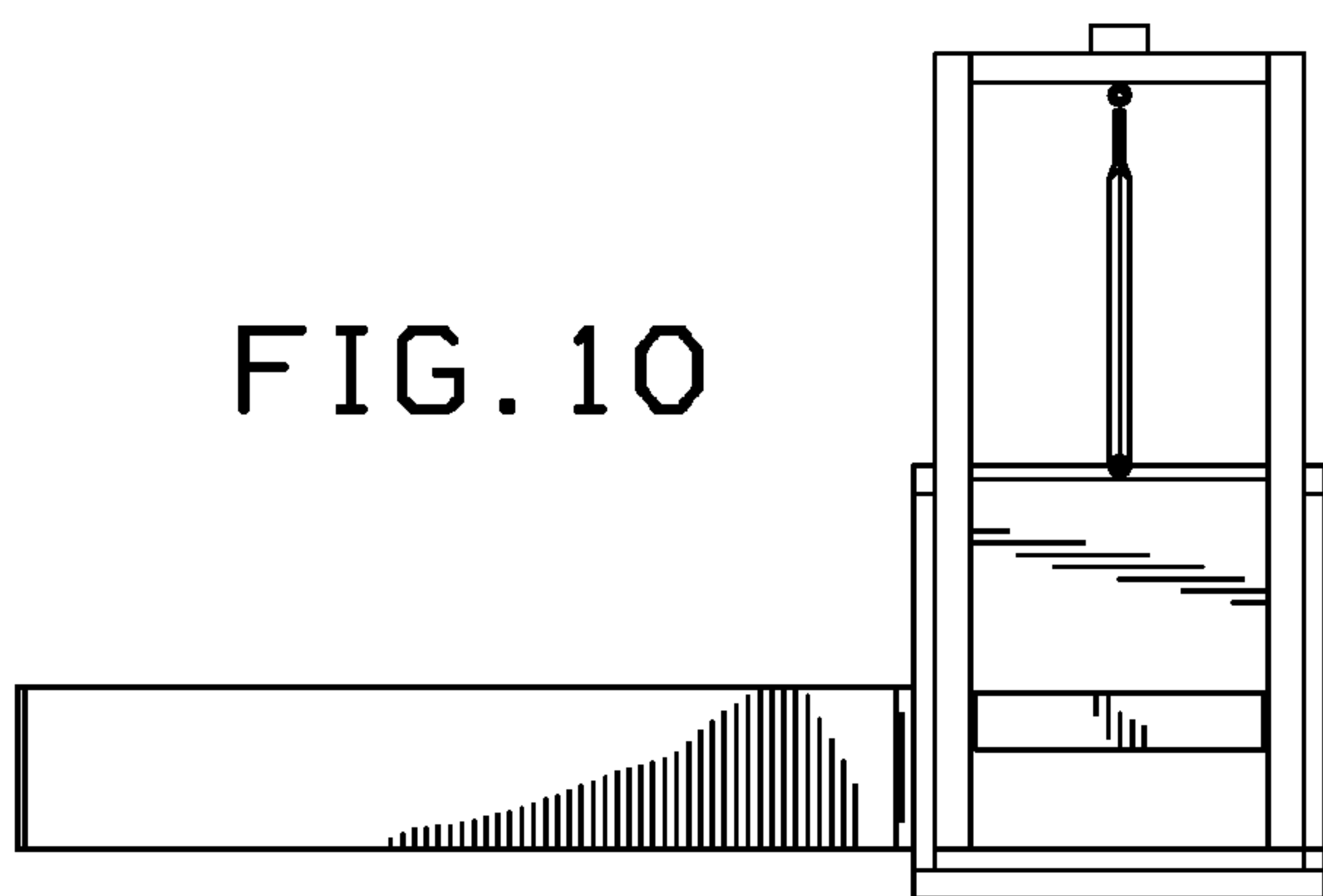


FIG. 10