



US00D623255S

(12) **United States Design Patent**
Watson et al.

(10) **Patent No.:** **US D623,255 S**

(45) **Date of Patent:** **** Sep. 7, 2010**

(54) **RODENT BAIT STATION**

(75) Inventors: **Duncan McLeod Watson**, West Ryde (AU); **Vladan Jovic**, Granville (AU)

(73) Assignee: **Reckitt & Colman (Overseas) Limited**, Slough, Berkshire (GB)

(**) Term: **14 Years**

(21) Appl. No.: **29/351,790**

(22) Filed: **Dec. 11, 2009**

(30) **Foreign Application Priority Data**

Jun. 23, 2009 (EM) 001147367-0001

(51) **LOC (9) Cl.** **22-06**

(52) **U.S. Cl.** **D22/119**

(58) **Field of Classification Search** D22/119-124;
43/58, 60-61, 65-66, 69-70, 121, 124, 131,
43/132.1

See application file for complete search history.

(56) **References Cited**

U.S. PATENT DOCUMENTS

5,040,327 A * 8/1991 Stack et al. 43/131

D385,611 S * 10/1997 Prince et al. D22/119
D605,726 S * 12/2009 Brandt et al. D22/119
D609,302 S * 2/2010 Brandt et al. D22/119
D609,303 S * 2/2010 Brandt et al. D22/119

* cited by examiner

Primary Examiner—Catherine R Oliver

(74) *Attorney, Agent, or Firm*—Norris McLaughlin & Marcus, PA

(57) **CLAIM**

The ornamental design for an rodent bait station, as shown and described.

DESCRIPTION

FIG. 1 is a front elevation view of the rodent bait station showing our new design;

FIG. 2 is a rear elevation view thereof;

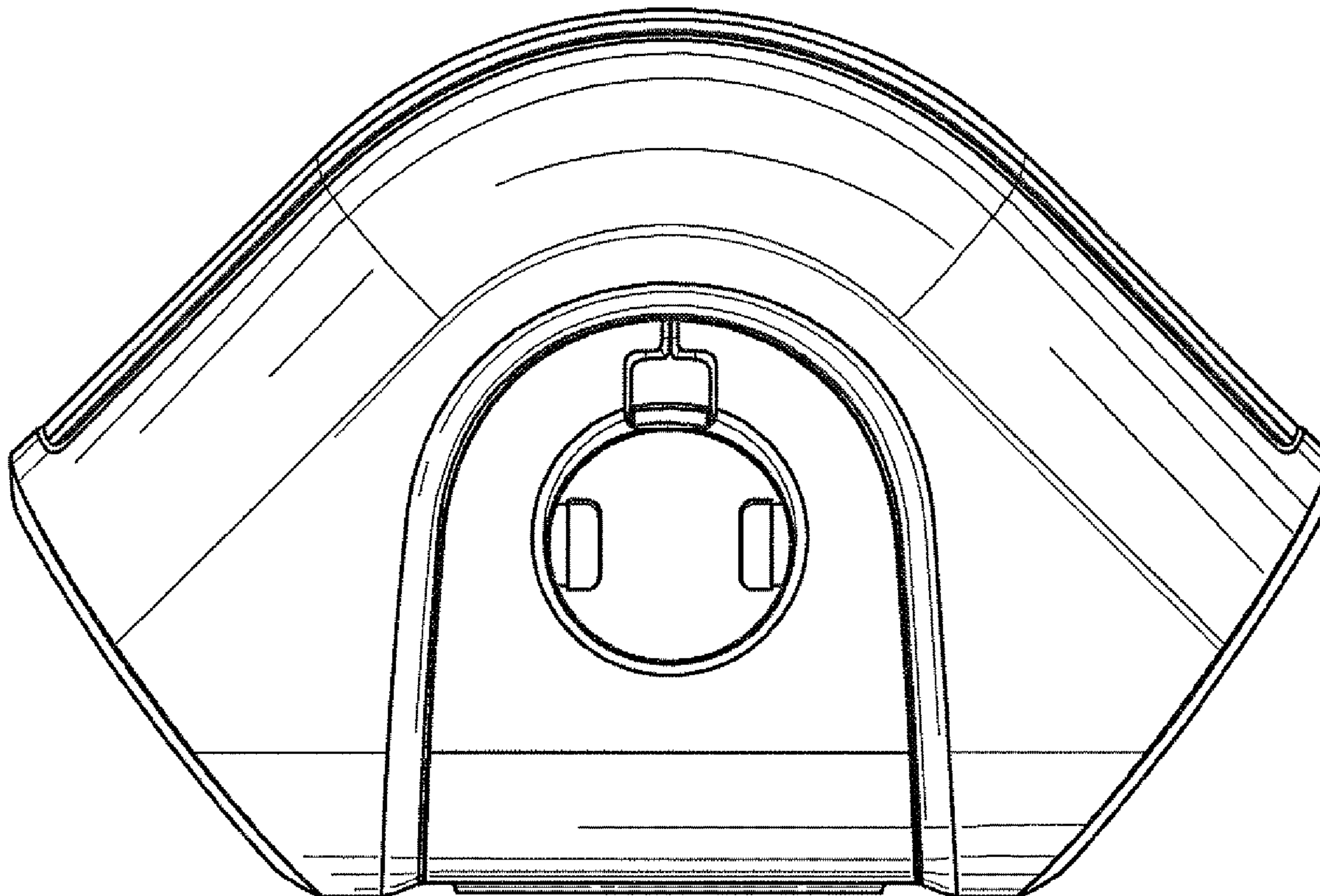
FIG. 3 is a right side elevation view thereof;

FIG. 4 is a left side elevation view thereof;

FIG. 5 is a top plan view thereof; and,

FIG. 6 is a bottom plan view thereof.

1 Claim, 2 Drawing Sheets



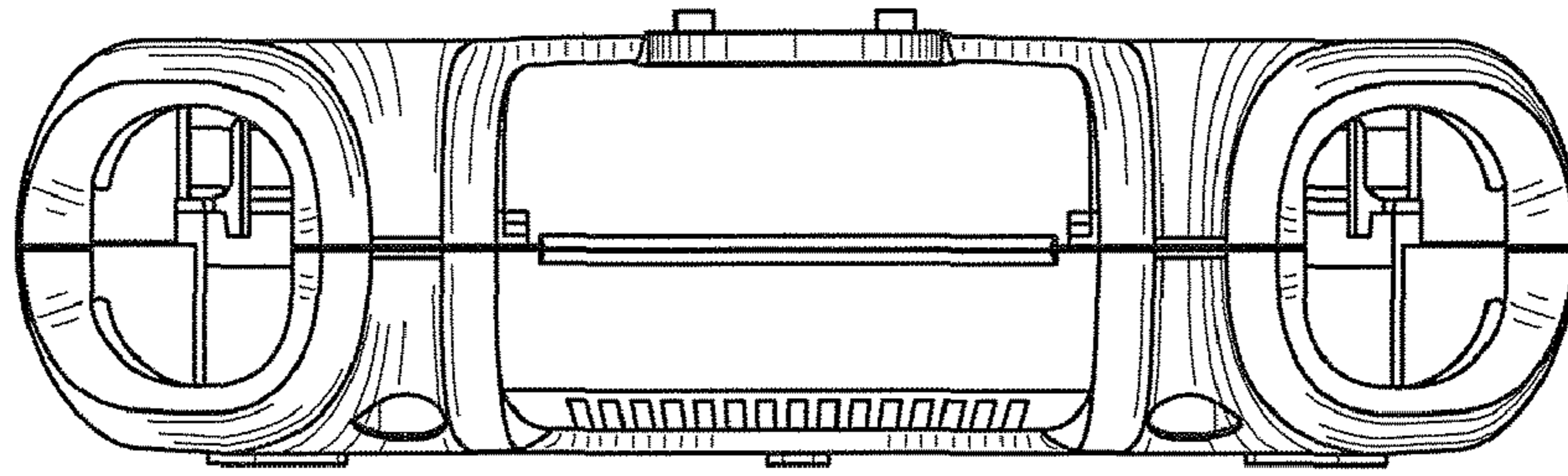


Fig.1

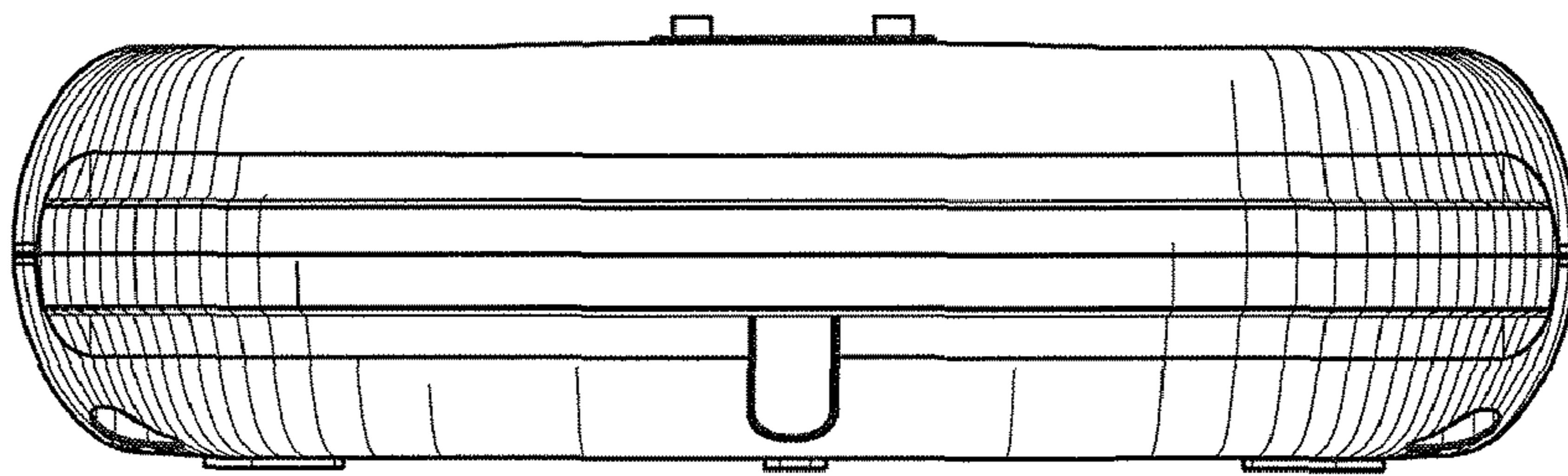


Fig.2

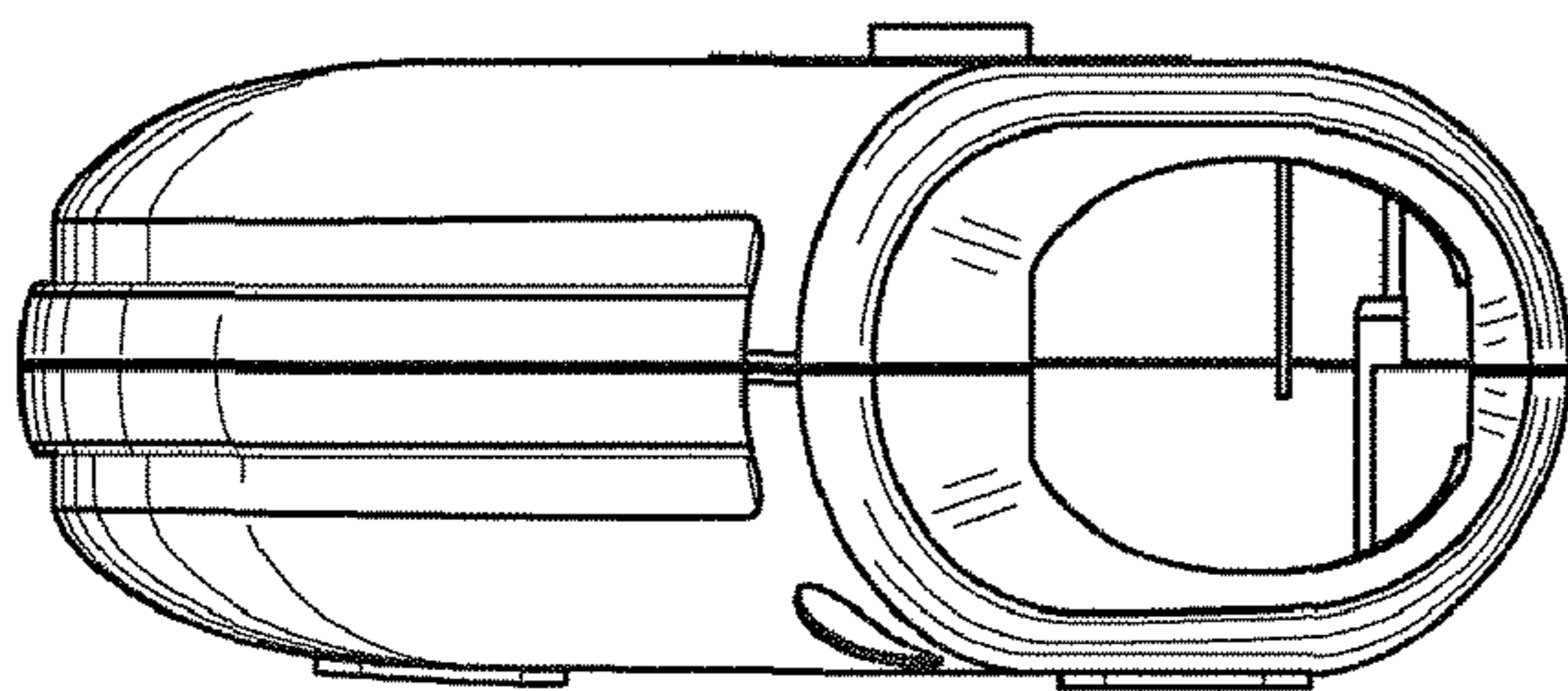


Fig.3

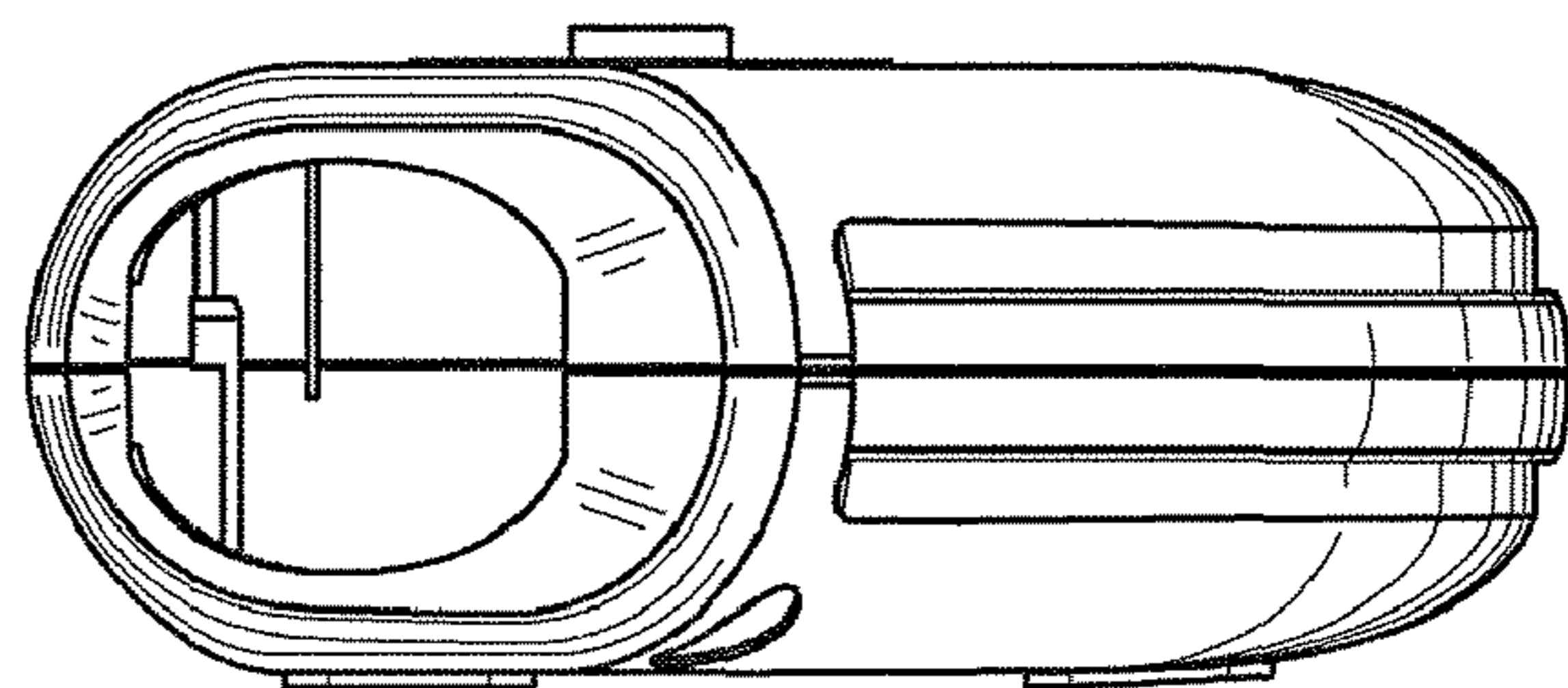


Fig.4

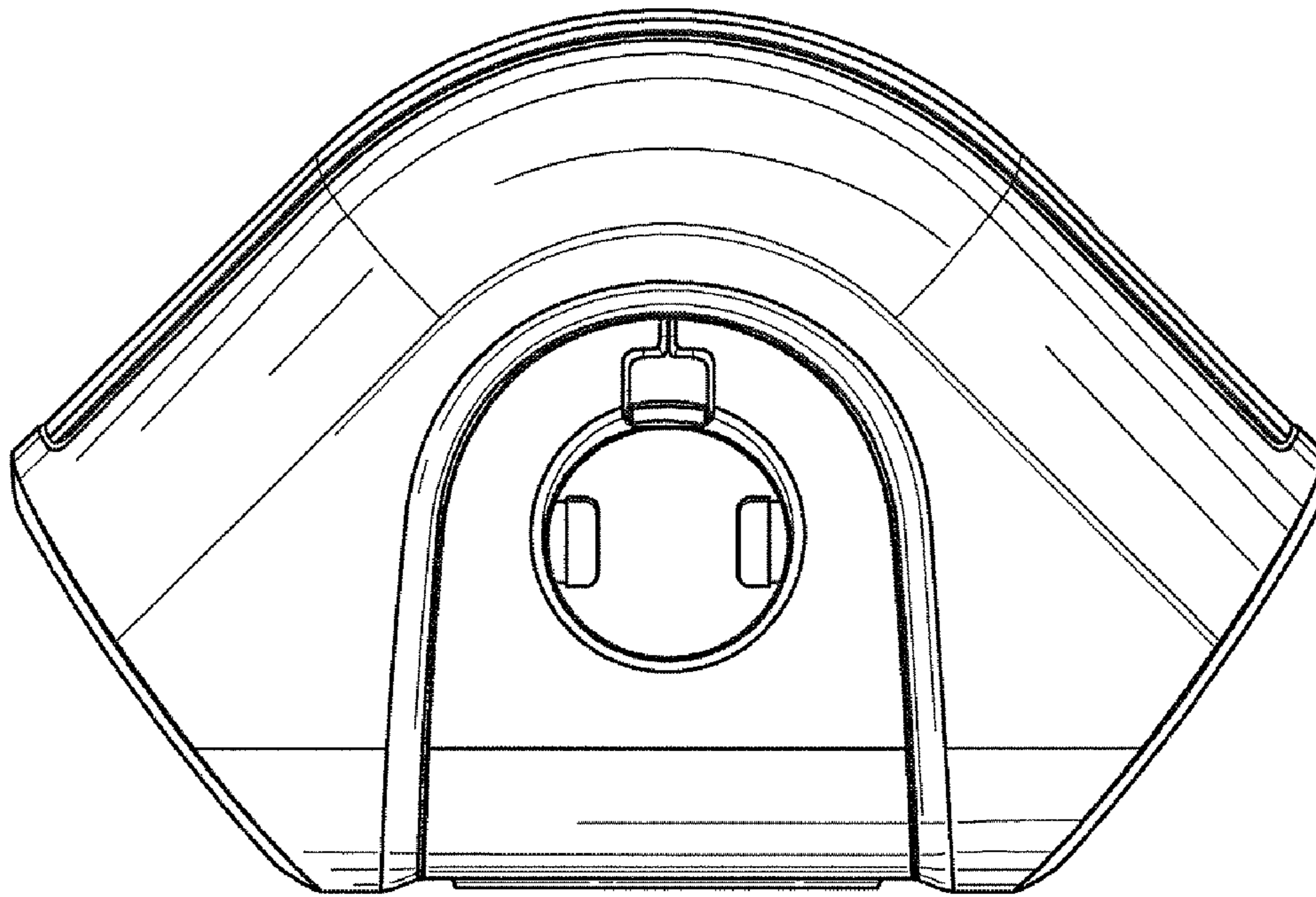


Fig.5

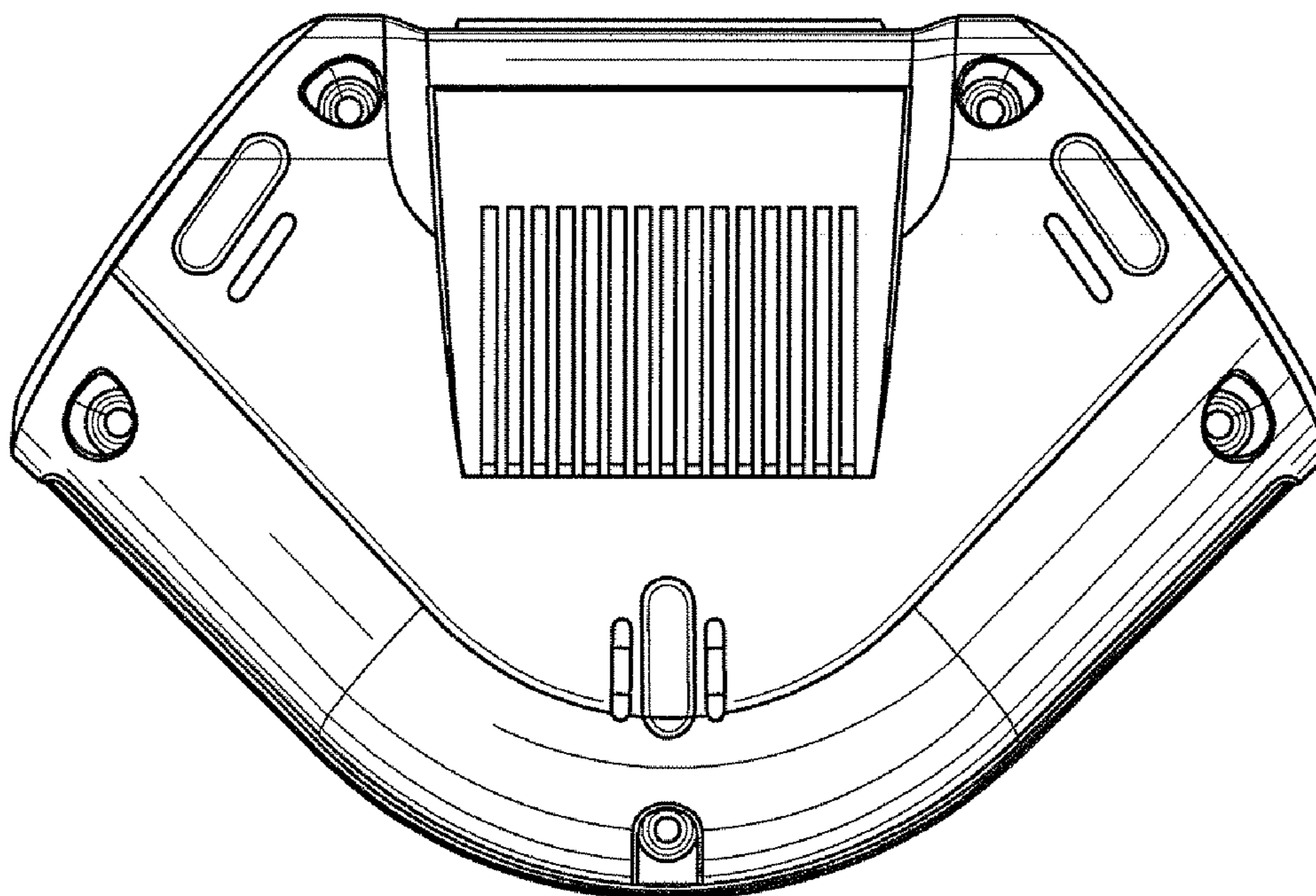


Fig.6