

US00D623254S

(12) **United States Design Patent**
Larsson

(10) **Patent No.:** **US D623,254 S**

(45) **Date of Patent:** **** Sep. 7, 2010**

(54) **FASTENER FOR SIGHT**

2006/0207156 A1* 9/2006 Larue 42/127

* cited by examiner

(75) Inventor: **Niklas Larsson, Åkarp (SE)**

Primary Examiner—T. Chase Nelson

Assistant Examiner—Michael A Pratt

(73) Assignee: **GS Development AB, Malmö (SE)**

(74) *Attorney, Agent, or Firm*—Thomas, Kayden,
Horstemeyer & Risley, LLP; Todd Deveau

(**) Term: **14 Years**

(21) Appl. No.: **29/324,323**

(57) **CLAIM**

(22) Filed: **Sep. 10, 2008**

The ornamental design for a fastener for sight, as shown and described.

(30) **Foreign Application Priority Data**

Mar. 14, 2008 (EM) 000897621-0001

DESCRIPTION

(51) **LOC (9) Cl.** **22-01**

(52) **U.S. Cl.** **D22/108**

(58) **Field of Classification Search** D22/100,
D22/108, 109, 110, 199; 42/11, 72, 75.02,
42/71.01, 85, 90, 106, 114, 113, 116, 119,
42/124, 125, 127, 145, 128; 248/201, 205.1
See application file for complete search history.

FIG. 1 is a perspective top view of my new fastener for sight;
FIG. 2 is a top plan view of my new fastener for sight of FIG. 1;

FIG. 3 is a bottom plan view of my new fastener for sight of FIG. 1;

FIG. 4 is a side elevational view of my new fastener for sight from the right side of that of FIG. 3;

FIG. 5 is an end view of my new fastener for sight of FIG. 1;

FIG. 6 is a side elevational view of my fastener for sight from the side opposite that of FIG. 4; and,

FIG. 7 is an end view of my fastener for sight from the end opposite that of FIG. 5.

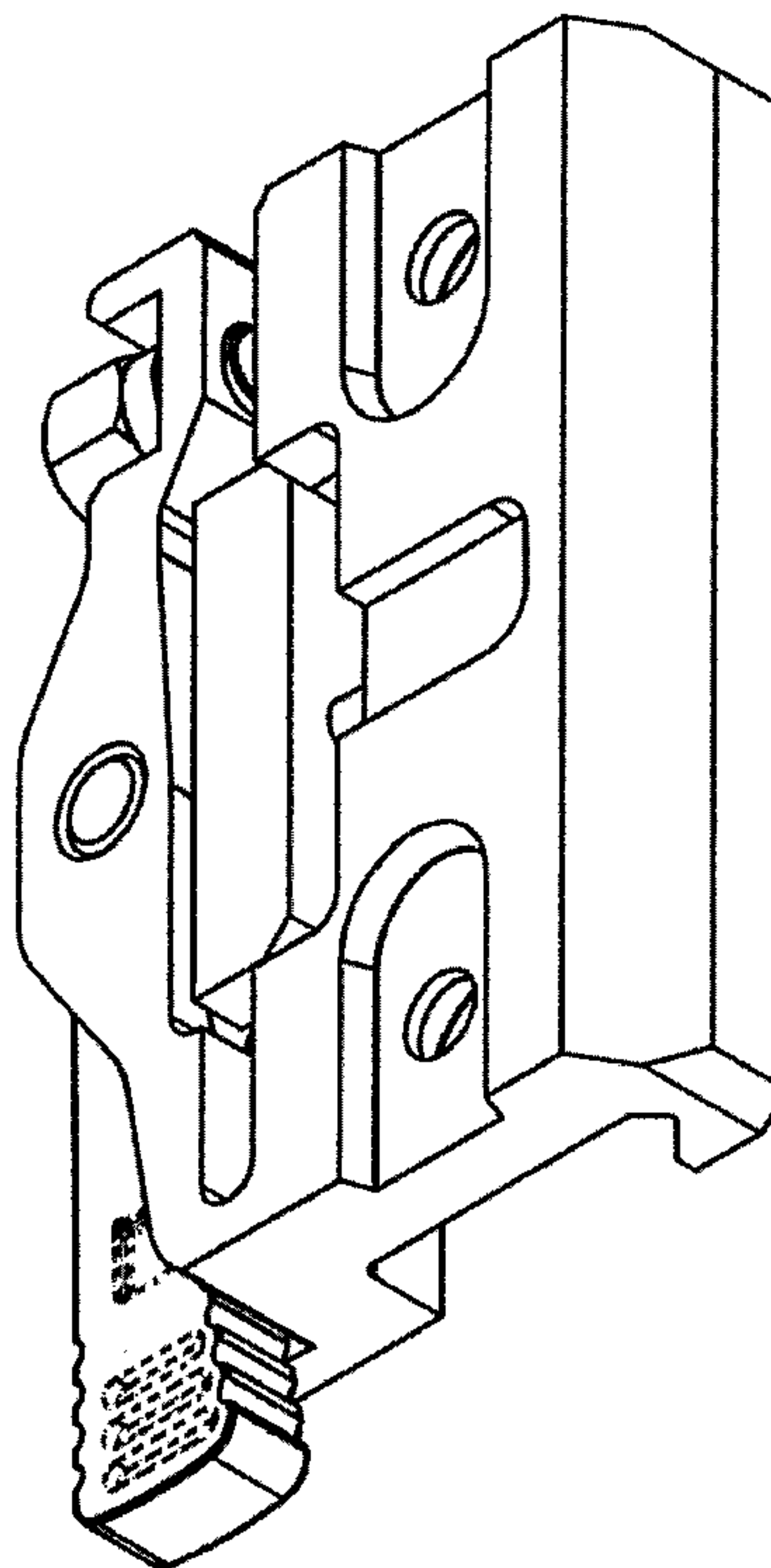
The broken line showing of the portions of the fastener for sight in FIGS. 1 through 7 is included for the purpose of illustrating environmental structure and forms no part of the claimed design.

(56) **References Cited**

U.S. PATENT DOCUMENTS

5,111,587	A *	5/1992	Plank	42/127
5,606,818	A *	3/1997	Hardee	42/124
6,513,276	B2 *	2/2003	Mendoza-Orozco	42/137
D537,499	S *	2/2007	Swan	D22/110
D548,811	S *	8/2007	Swan	D11/109
D584,789	S *	1/2009	Swan	D22/110
D588,672	S *	3/2009	Swan	D22/109

1 Claim, 7 Drawing Sheets



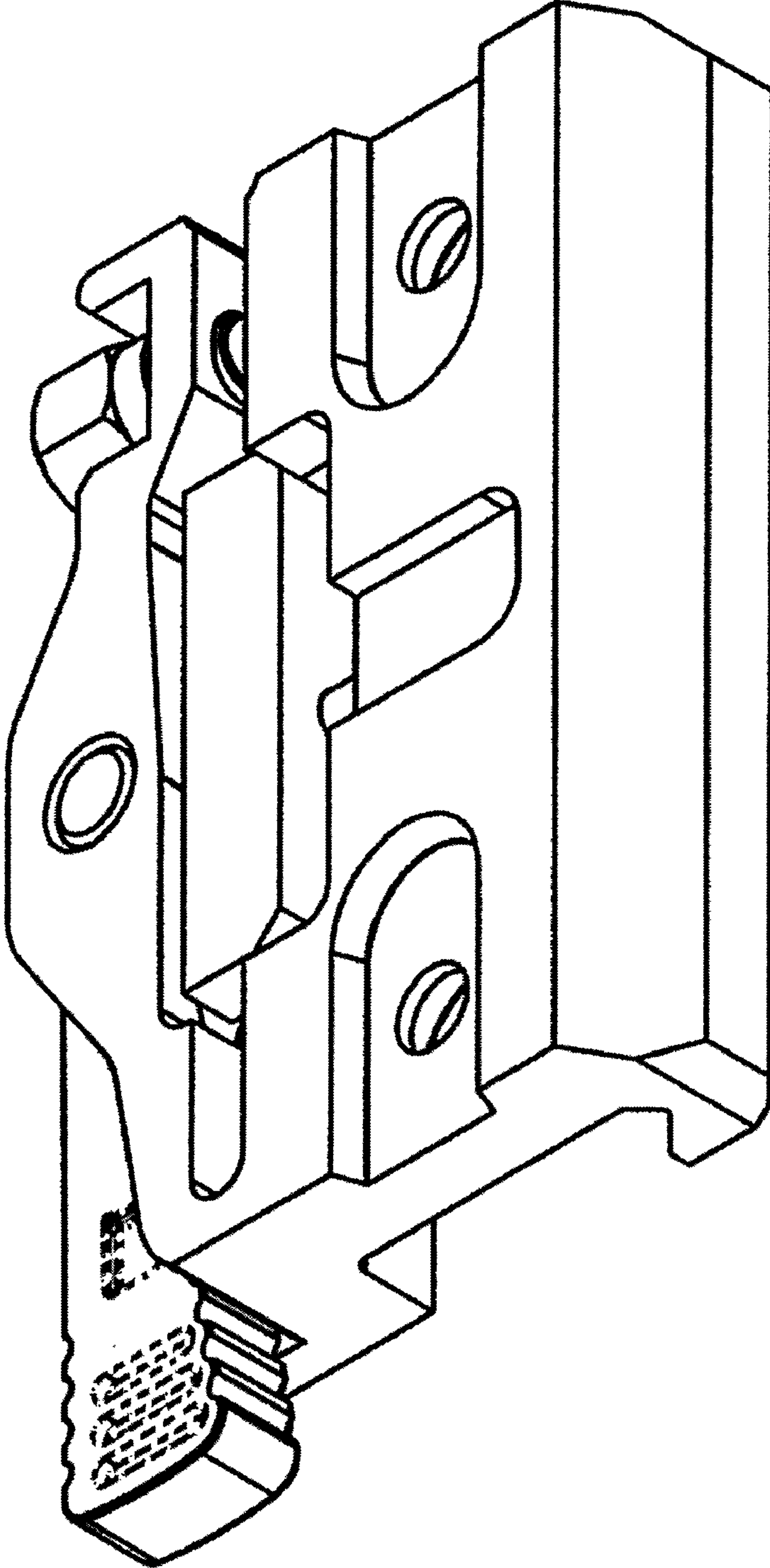


FIG. 1

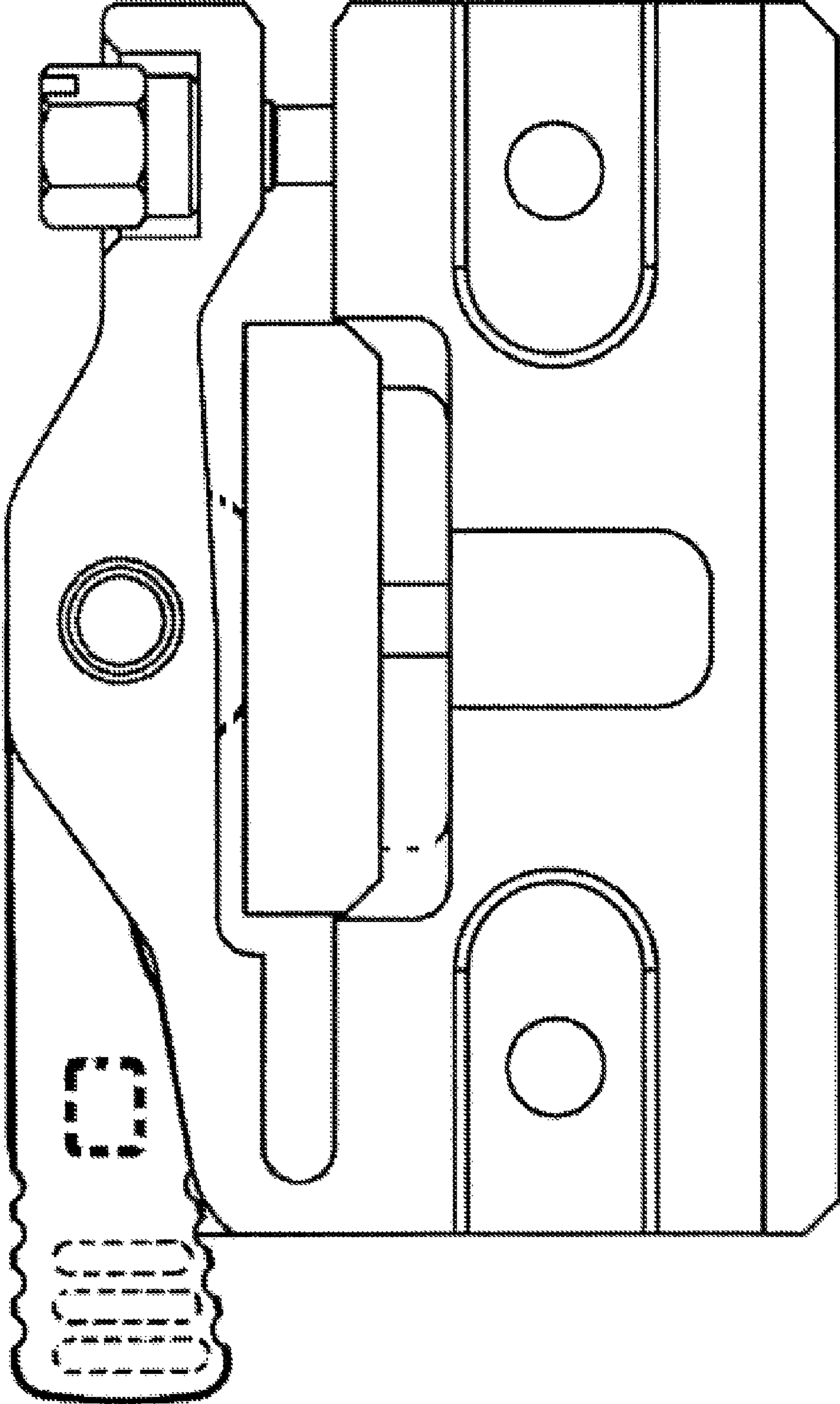


FIG. 2

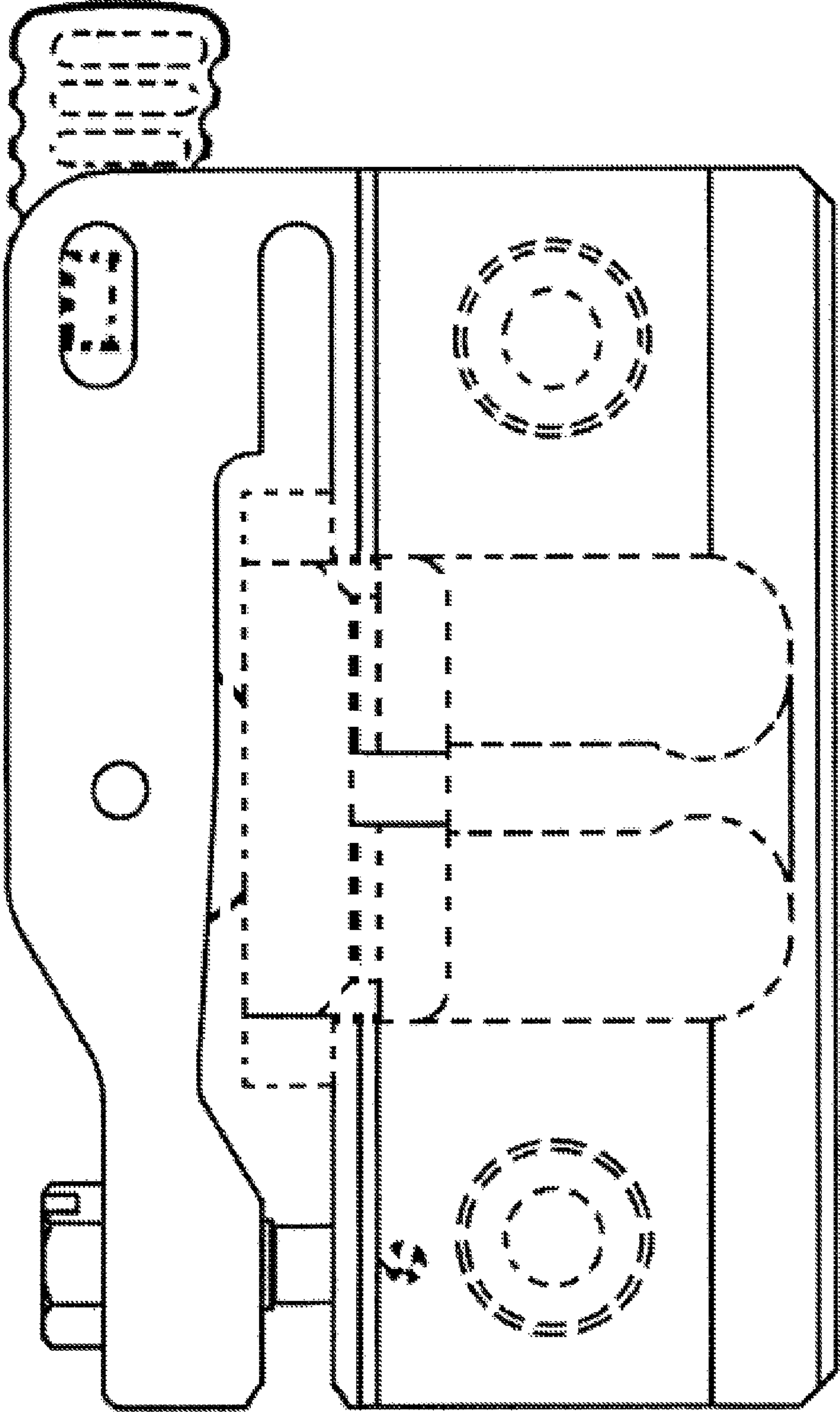


FIG. 3

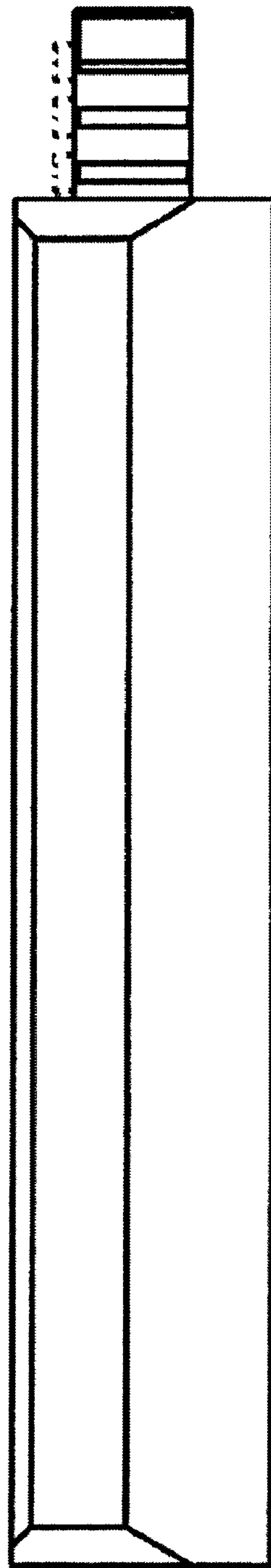


FIG. 4

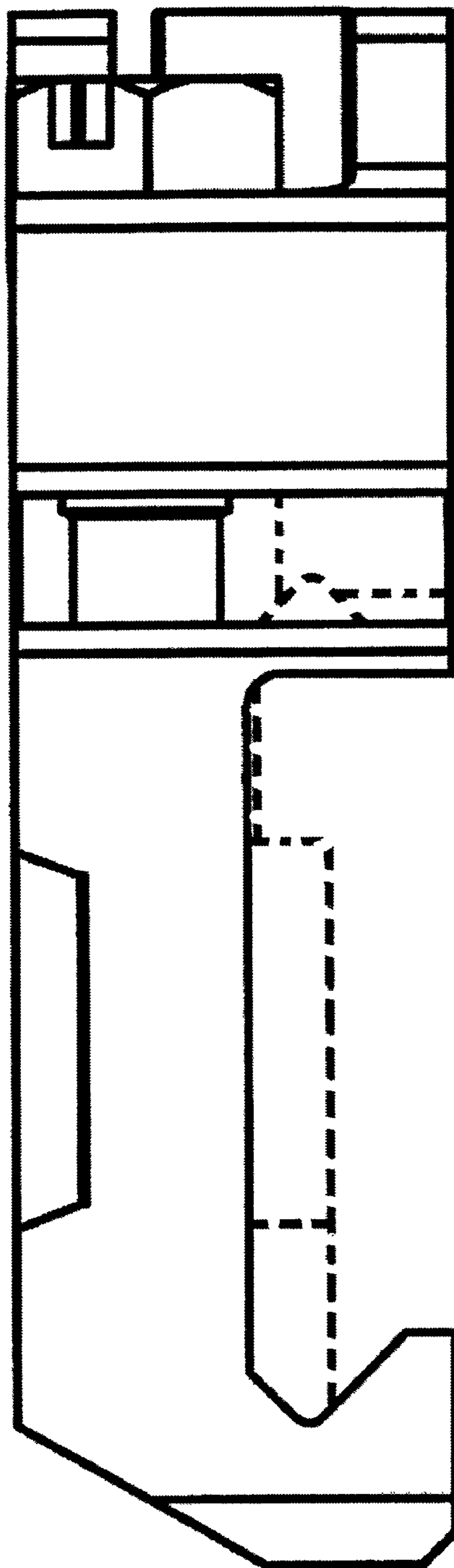


FIG. 5

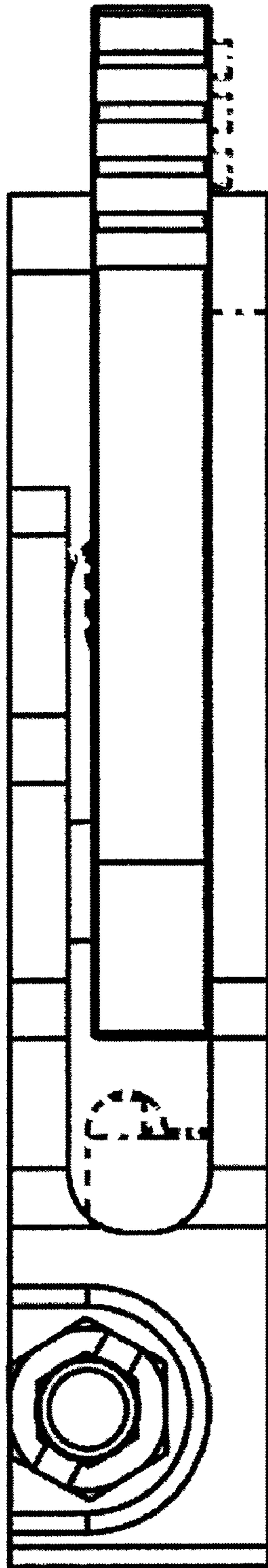


FIG. 6

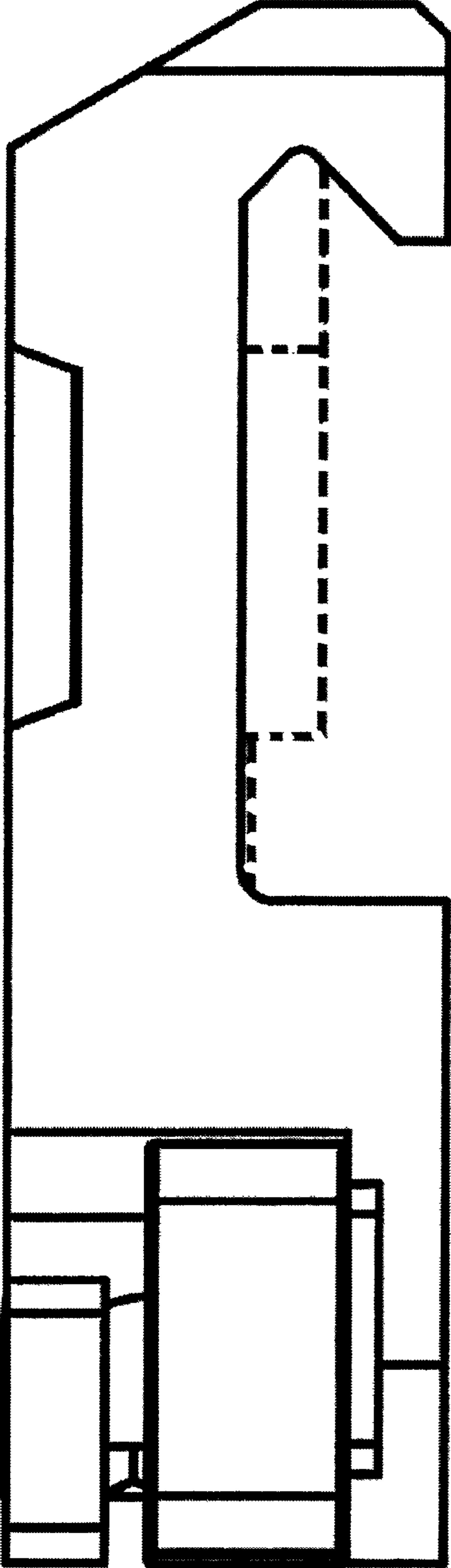


FIG. 7