



US00D623253S

(12) **United States Design Patent**
Hoffman

(10) **Patent No.:** **US D623,253 S**

(45) **Date of Patent:** **** Sep. 7, 2010**

(54) **GRIP**

2005/0188587 A1* 9/2005 Danas 42/72
2007/0137087 A1* 6/2007 Florea et al. 42/90

(76) Inventor: **Matt Hoffman**, 22258 Dawn Hill Rd.,
Siloam Springs, AR (US) 72761

* cited by examiner

(**) Term: **14 Years**

Primary Examiner—T. Chase Nelson
Assistant Examiner—Michael A Pratt
(74) *Attorney, Agent, or Firm*—Keisling & Pieper, PLC;
David B. Pieper

(21) Appl. No.: **29/313,511**

(57) **CLAIM**

The ornamental design for a grip, as shown and described.

(22) Filed: **Jan. 14, 2009**

DESCRIPTION

(51) **LOC (9) Cl.** **22-01**

FIG. 1 is a perspective view of a grip showing my new design;

(52) **U.S. Cl.** **D22/108**

FIG. 2 is a right side view thereof;

(58) **Field of Classification Search** D22/100,
D22/108, 109, 110, 199; 42/11, 113, 116,
42/119, 124, 125, 127, 90, 145, 128, 72,
42/106, 114, 85, 75.02, 71.01

FIG. 3 is a back view thereof;

FIG. 4 is a front view thereof; and,

FIG. 5 is a top view thereof;

See application file for complete search history.

FIG. 6 is a left side view thereof; and,

FIG. 7 is a bottom view thereof.

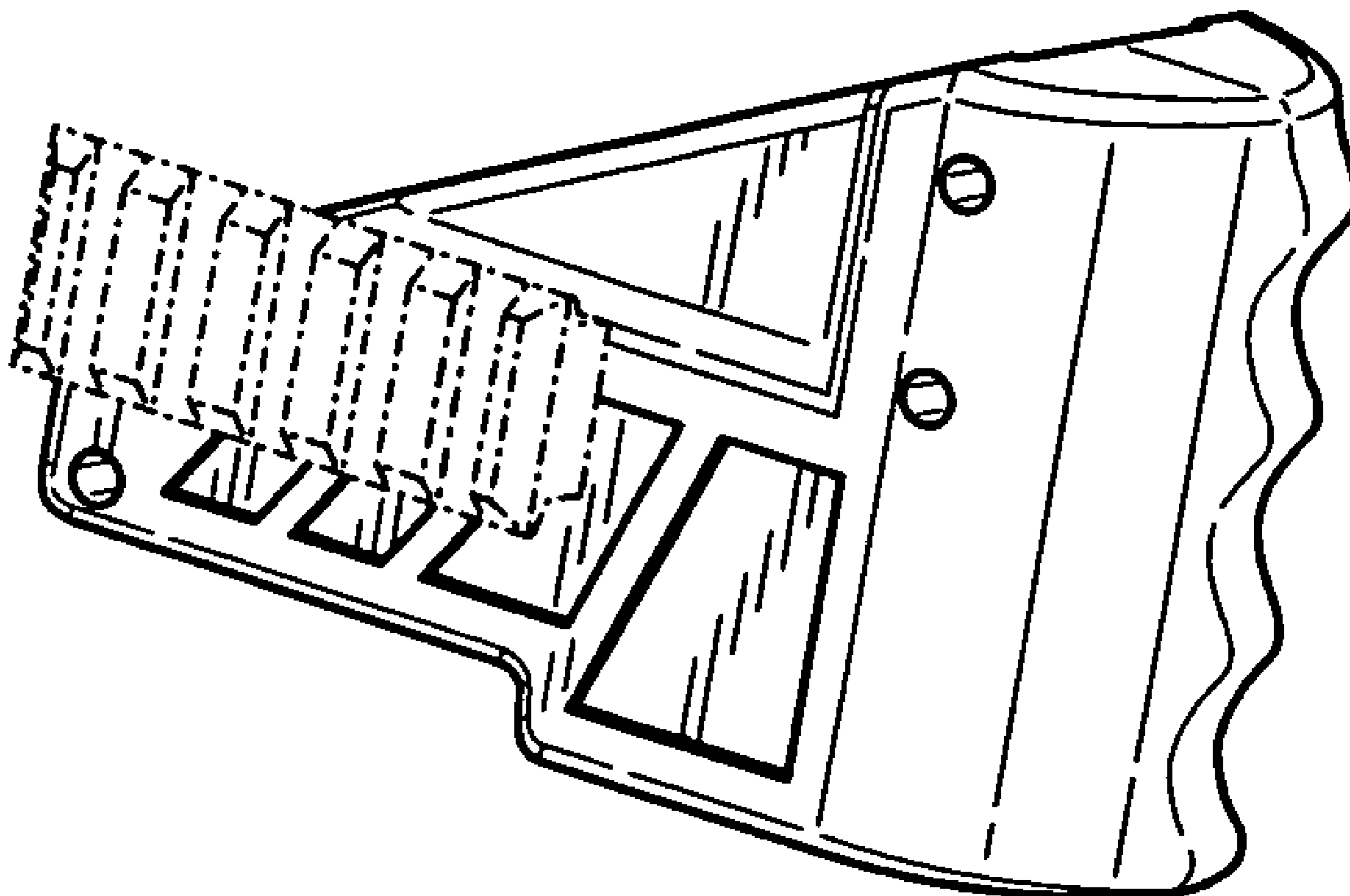
(56) **References Cited**

The broken line showing of the four sided design elements shown in FIG. 6 of the drawings is included for the purpose of illustrating environment and forms no part of the claimed design.

U.S. PATENT DOCUMENTS

D439,628 S * 3/2001 Tugwell D22/108
D439,948 S * 4/2001 Fletcher et al. D22/108
D604,794 S * 11/2009 Bentley D22/109

1 Claim, 2 Drawing Sheets



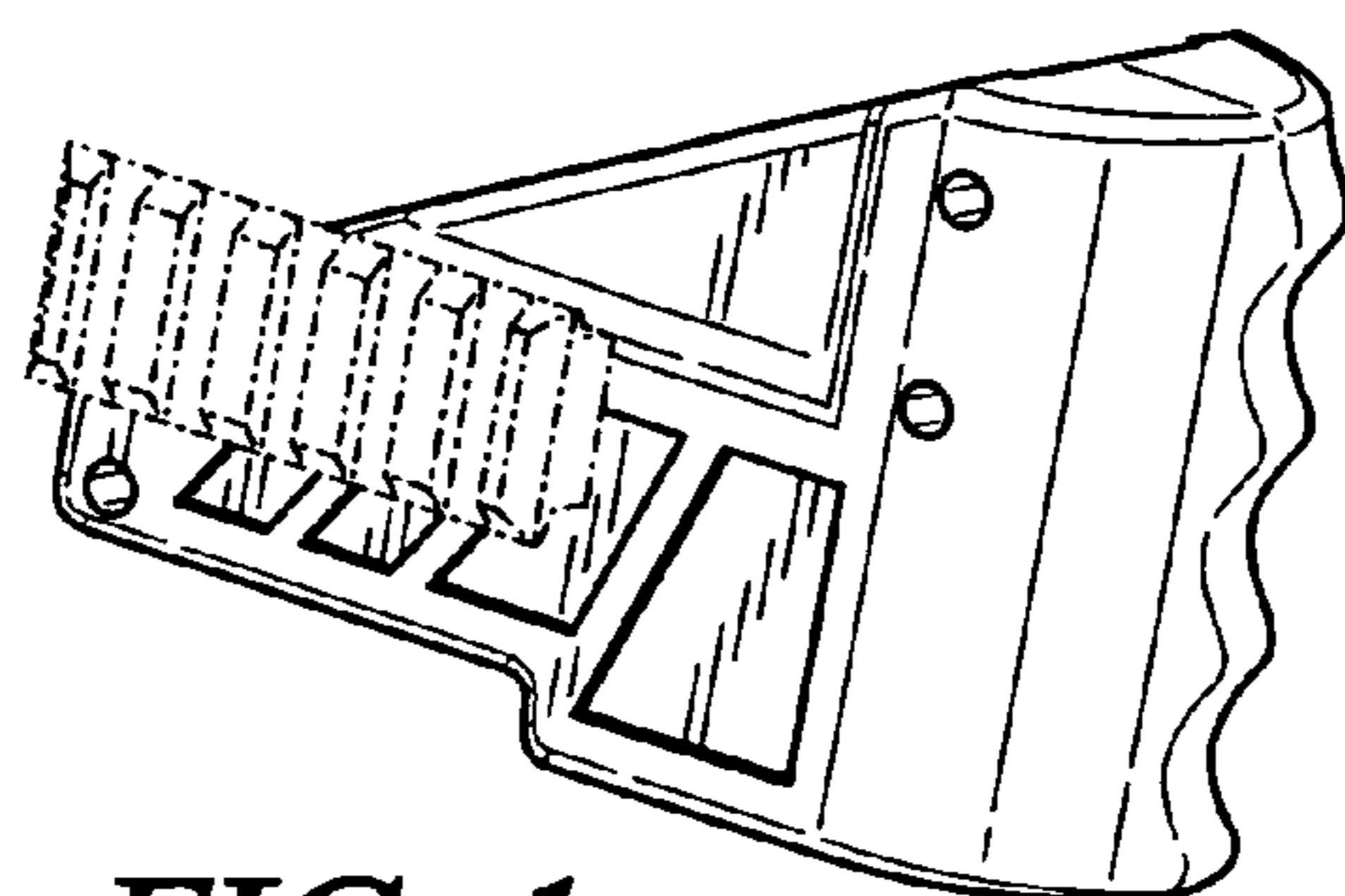


FIG. 1

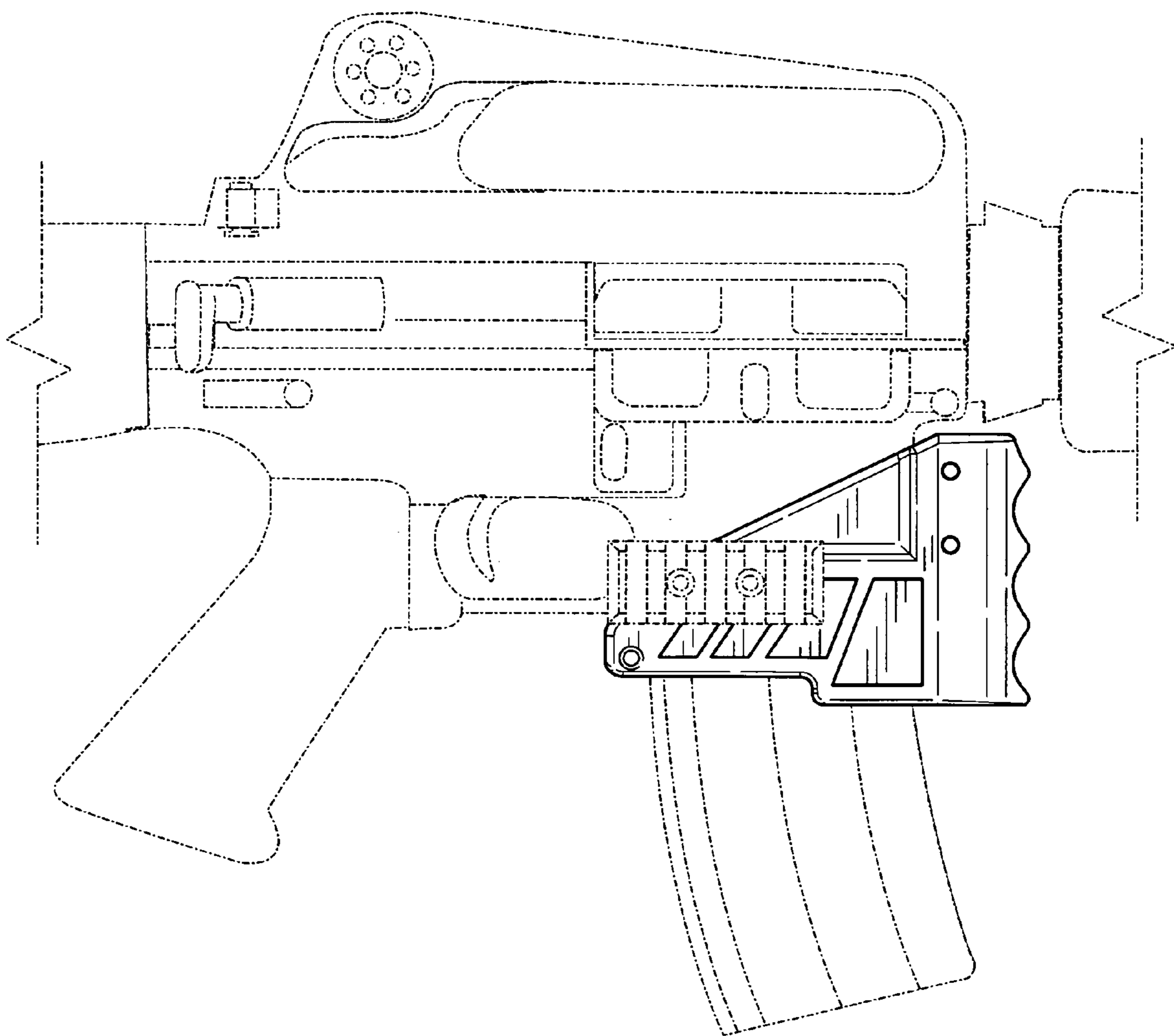


FIG. 2

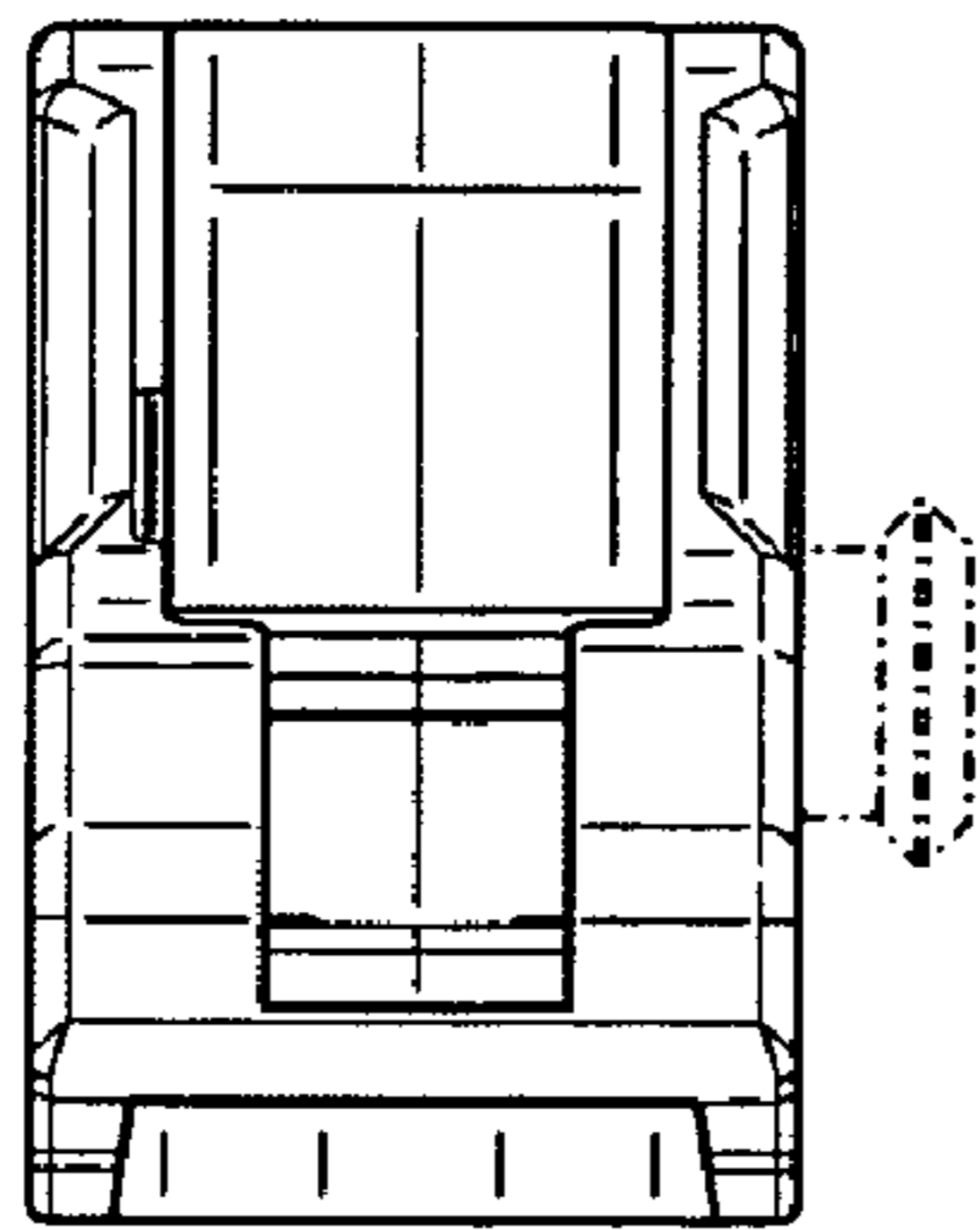


FIG. 3

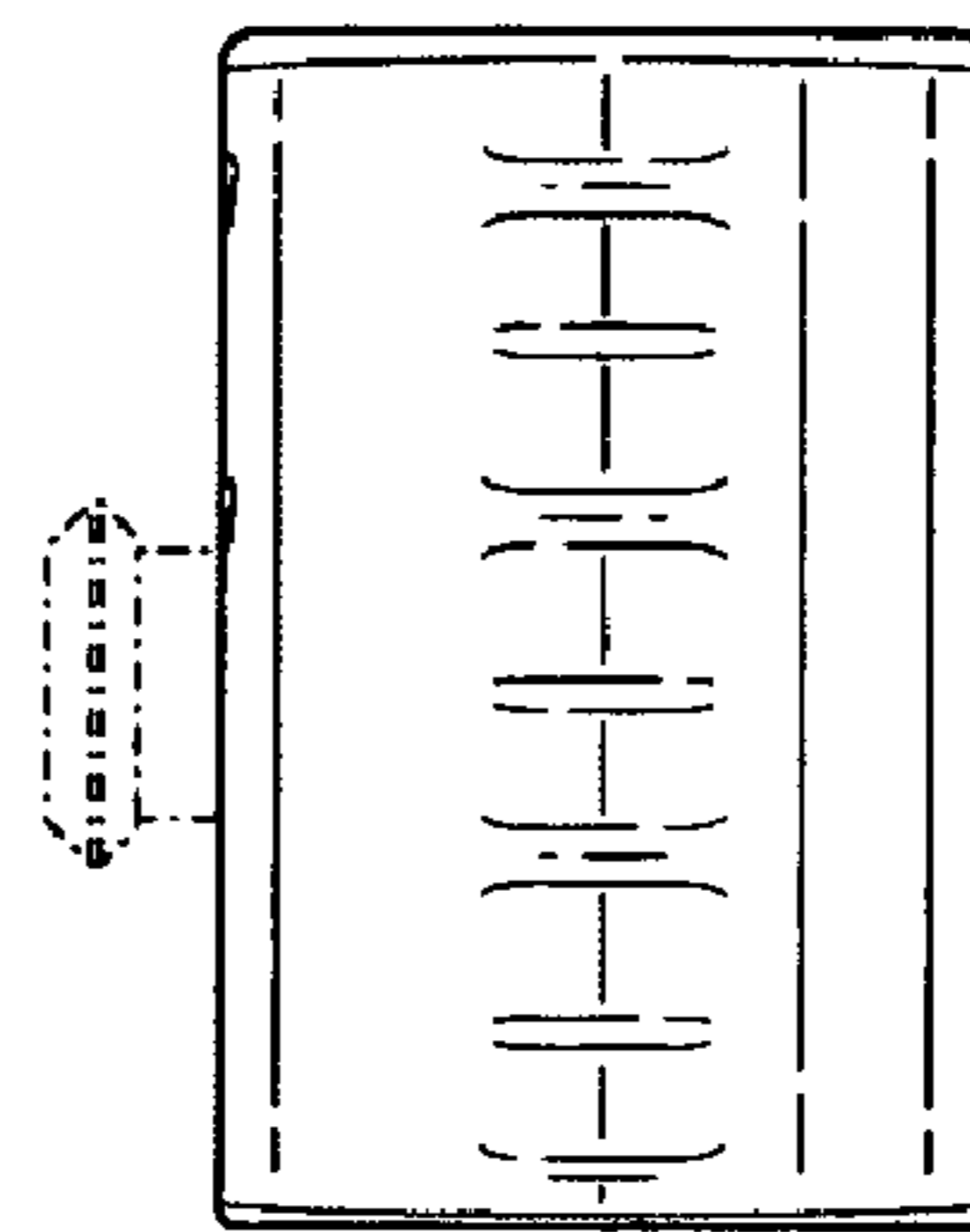


FIG. 4

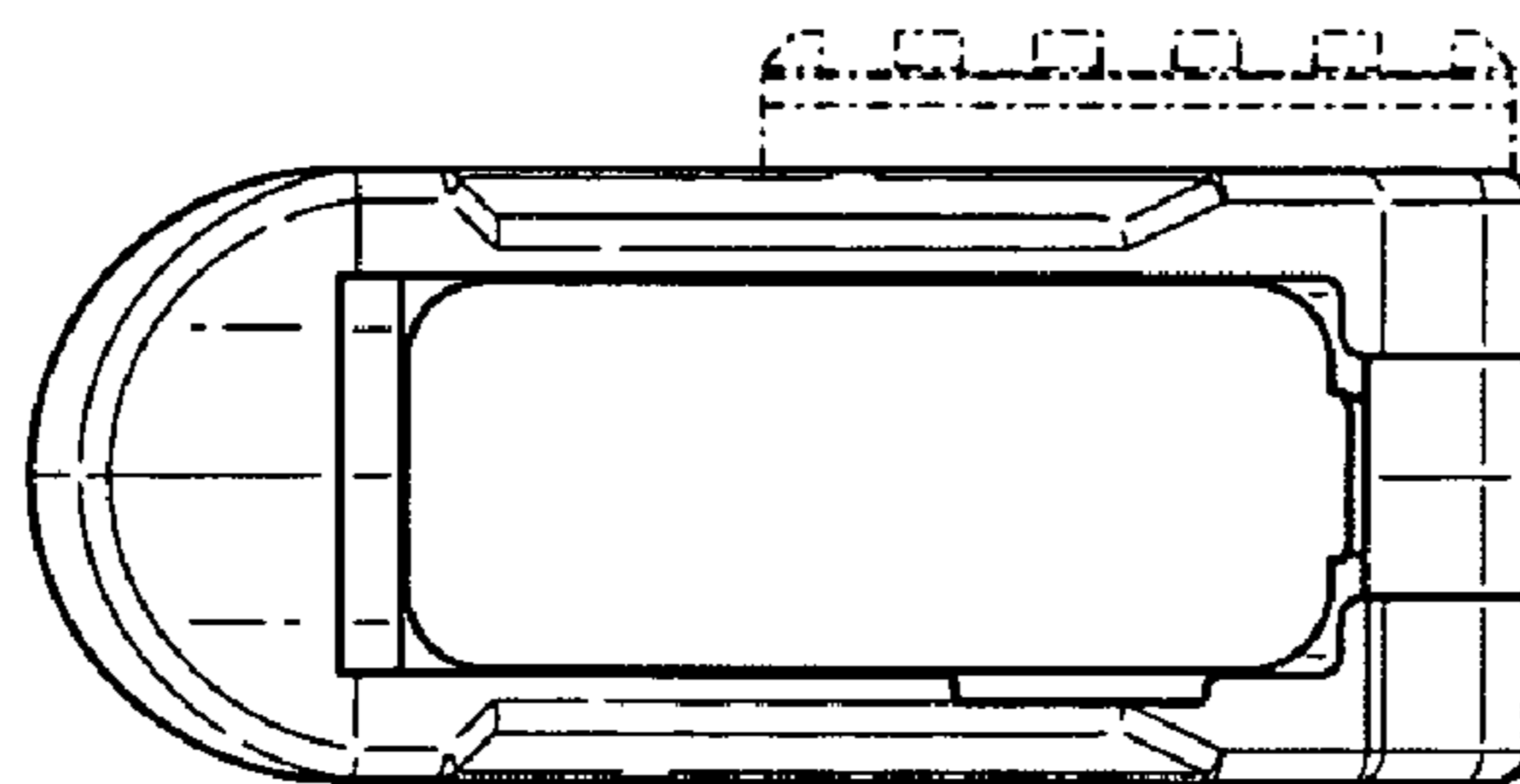


FIG. 5

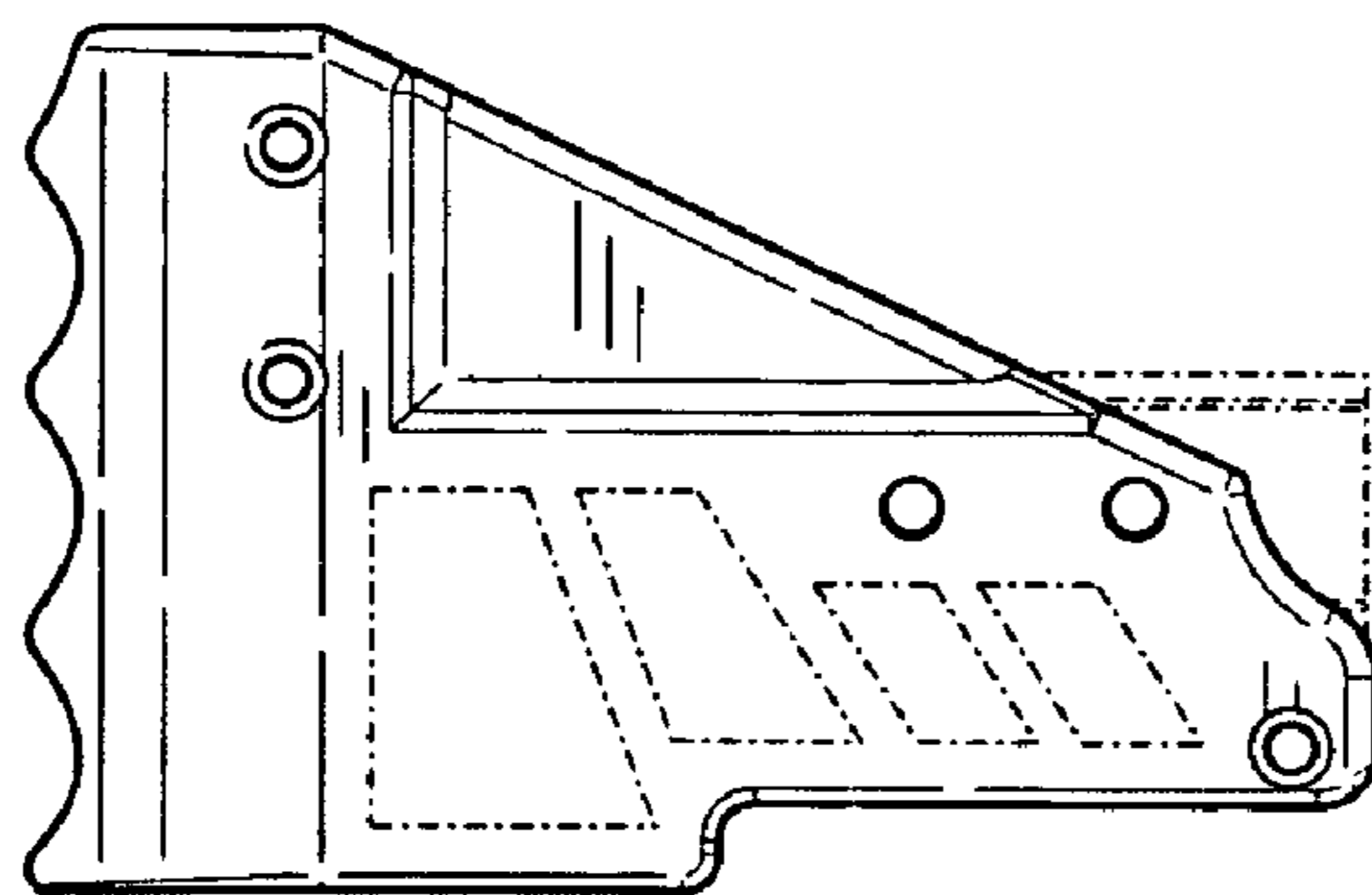


FIG. 6

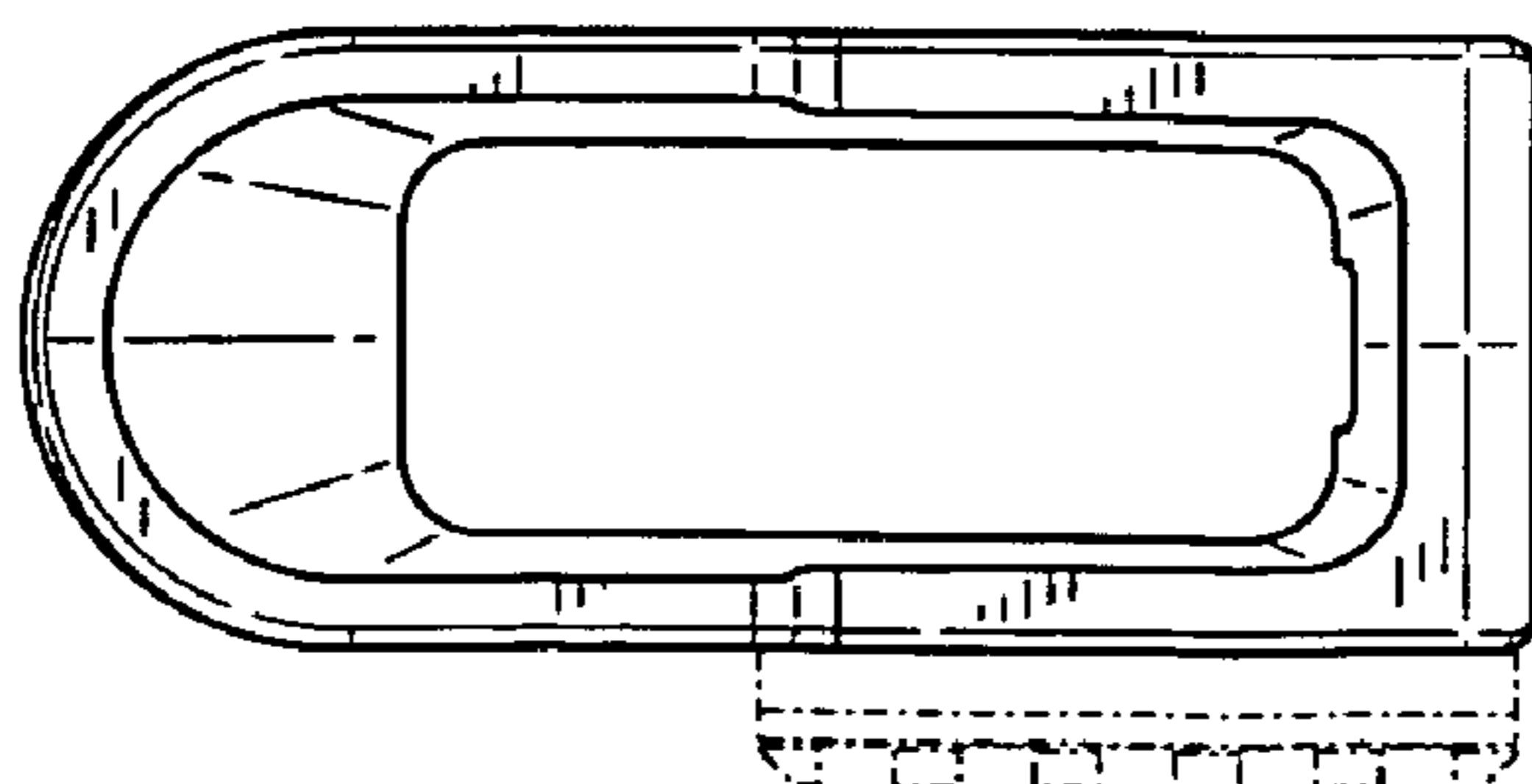


FIG. 7