



US00D623251S

(12) **United States Design Patent**
Rollinson

(10) **Patent No.:** **US D623,251 S**
(45) **Date of Patent:** **** Sep. 7, 2010**

(54) **PUTTER HEAD**

(75) Inventor: **Augustin W. Rollinson**, Carlsbad, CA
(US)

(73) Assignee: **Callaway Golf Company**, Carlsbad, CA
(US)

(**) Term: **14 Years**

(21) Appl. No.: **29/342,265**

(22) Filed: **Aug. 20, 2009**

(51) **LOC (9) Cl.** **21-02**

(52) **U.S. Cl.** **D21/744**

(58) **Field of Classification Search** D21/735-746,
D21/759; 473/324-331, 340-341, 251-256
See application file for complete search history.

(56) **References Cited**

U.S. PATENT DOCUMENTS

D455,467 S * 4/2002 Shenoha D21/736
D538,865 S * 3/2007 Cameron D21/736
D559,930 S * 1/2008 Cameron et al. D21/746

D585,511 S * 1/2009 Cameron D21/713
2002/0123393 A1 * 9/2002 Tang et al. 473/340

* cited by examiner

Primary Examiner—Mitchell I Siegel

(74) *Attorney, Agent, or Firm*—Michael A. Catania; Elaine H. Lo

(57) **CLAIM**

The ornamental design for a putter head, as shown and described.

DESCRIPTION

FIG. 1 is a top perspective view of a putter head;
FIG. 2 is a front elevational view thereof;
FIG. 3 is a bottom plan view thereof;
FIG. 4 is a top plan view thereof;
FIG. 5 is a rear elevational view thereof;
FIG. 6 is a toe end view thereof; and,
FIG. 7 is a heel end view thereof.

1 Claim, 2 Drawing Sheets

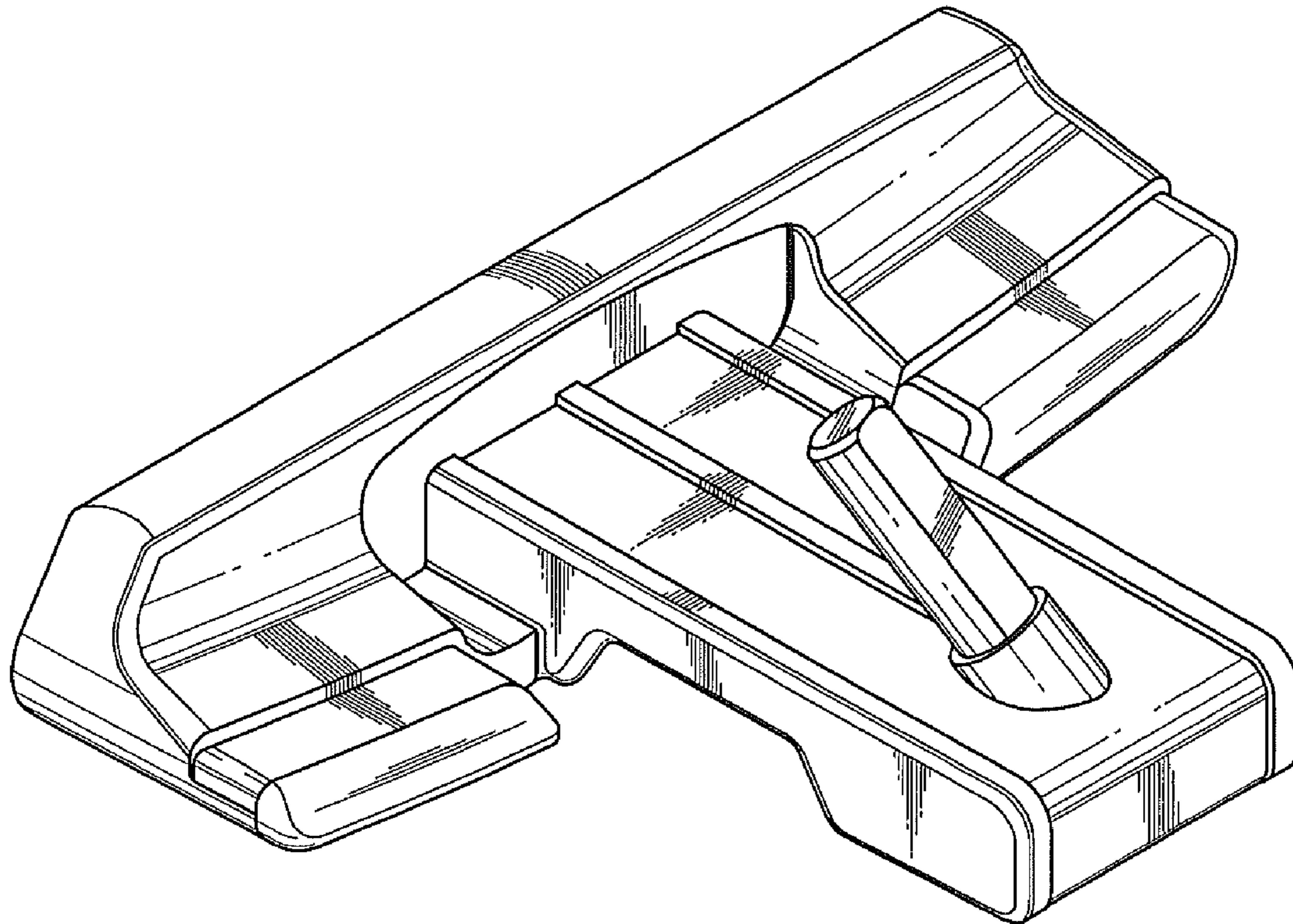


FIG. 1

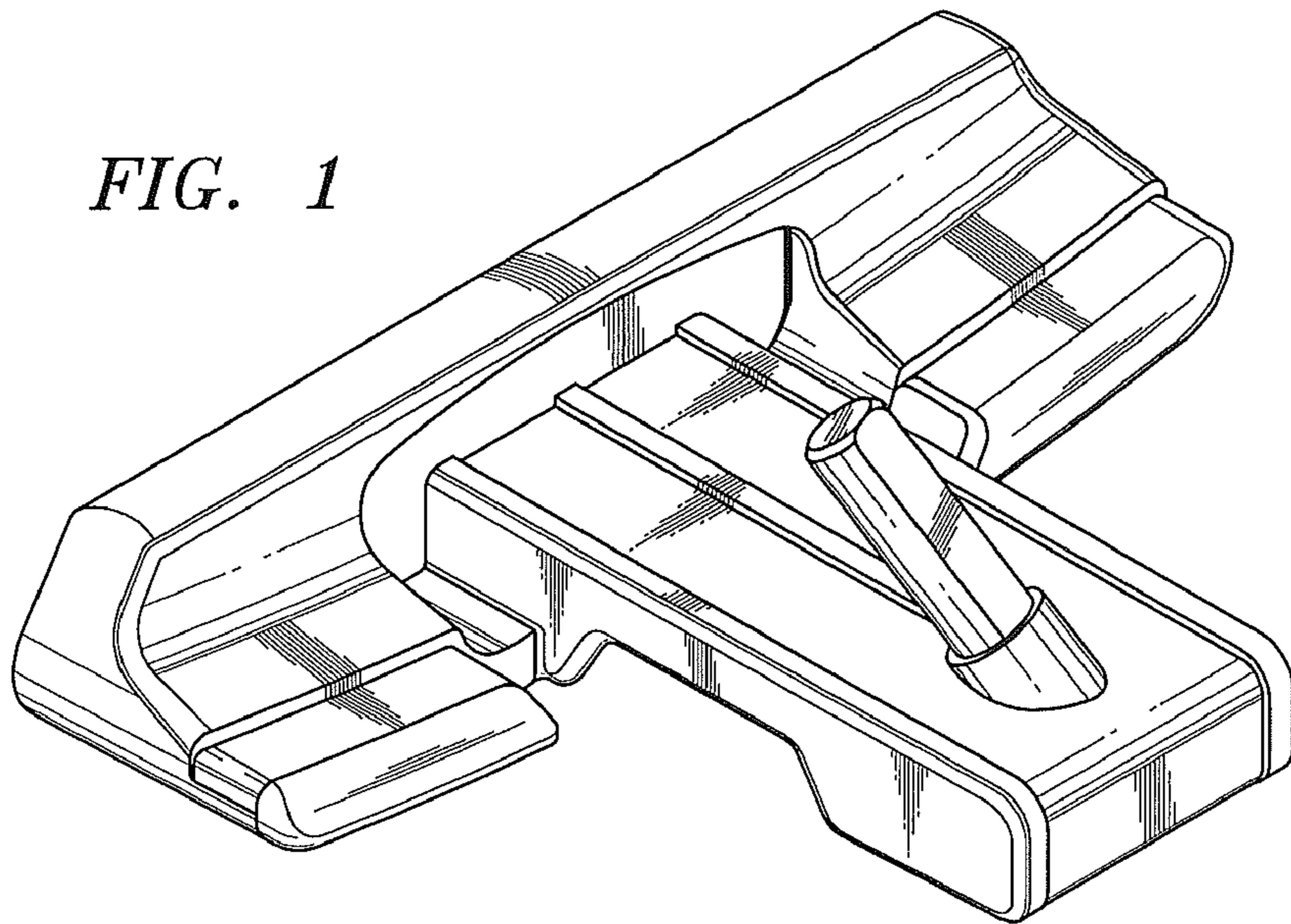


FIG. 2

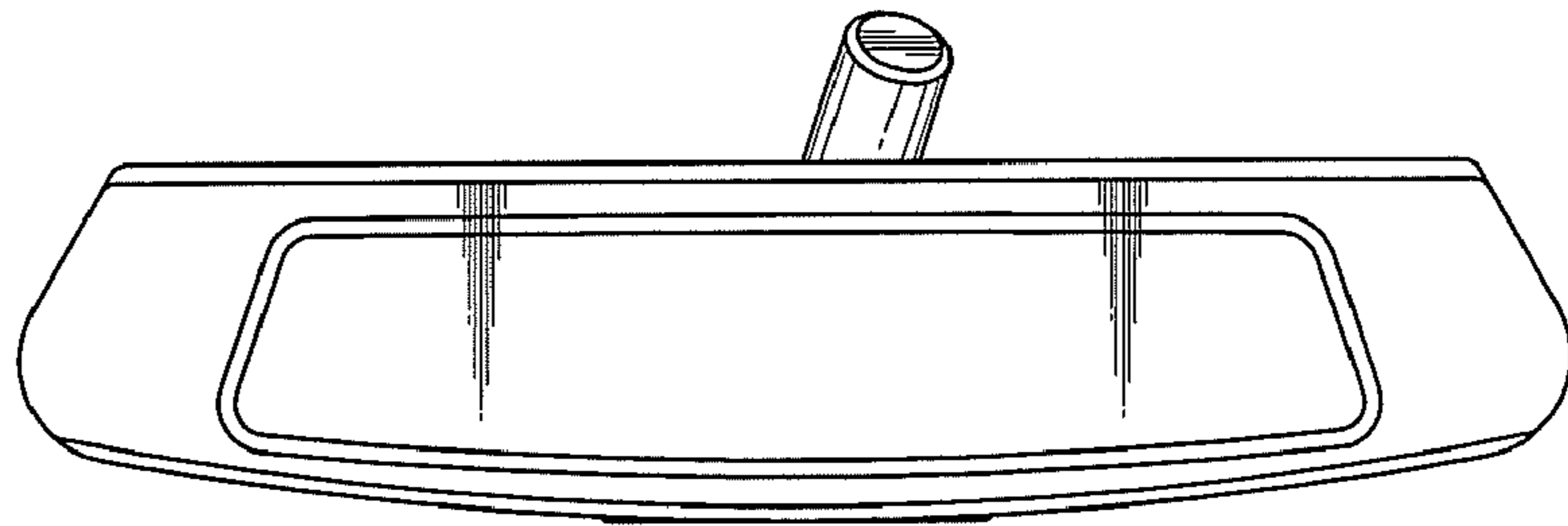
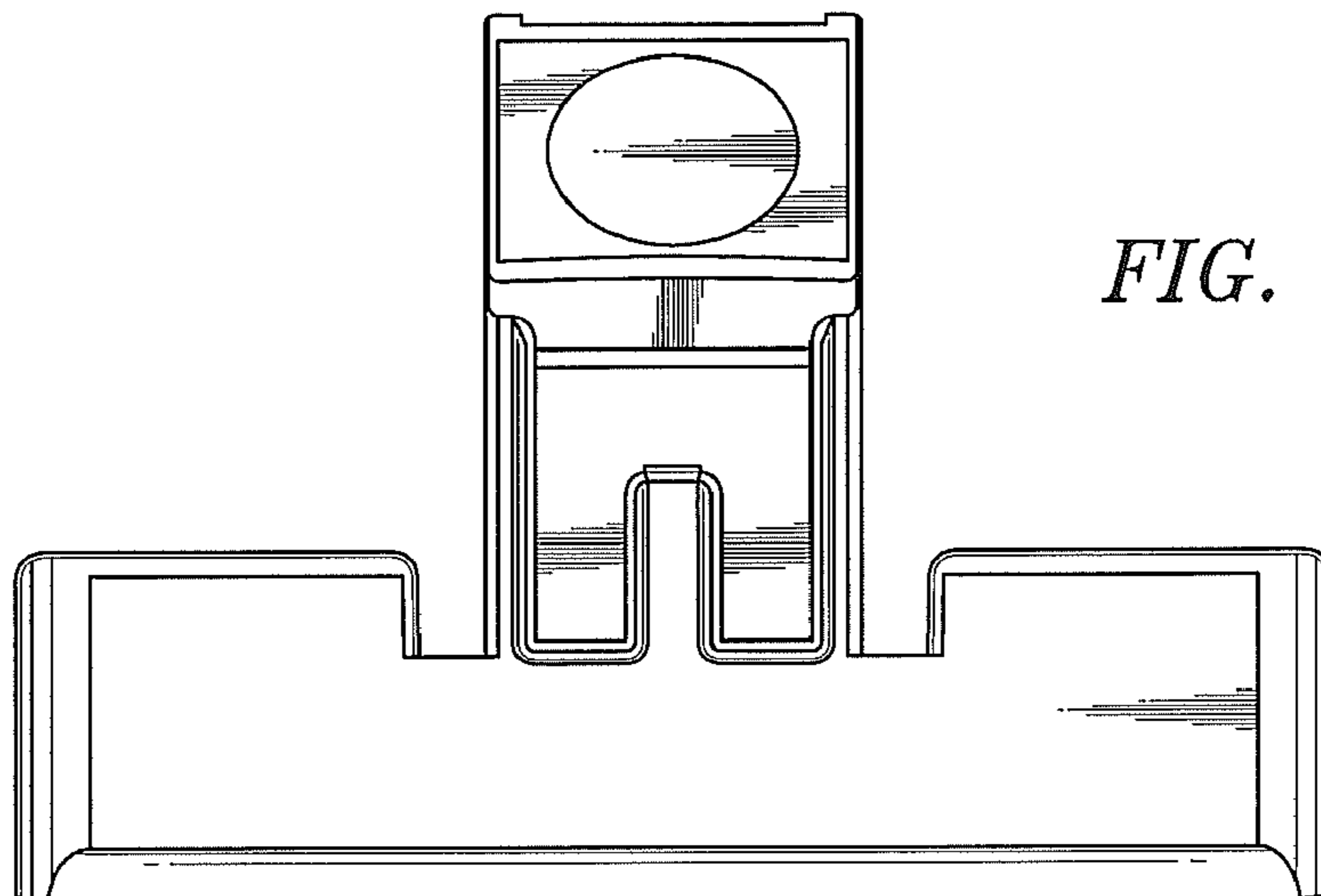


FIG. 3



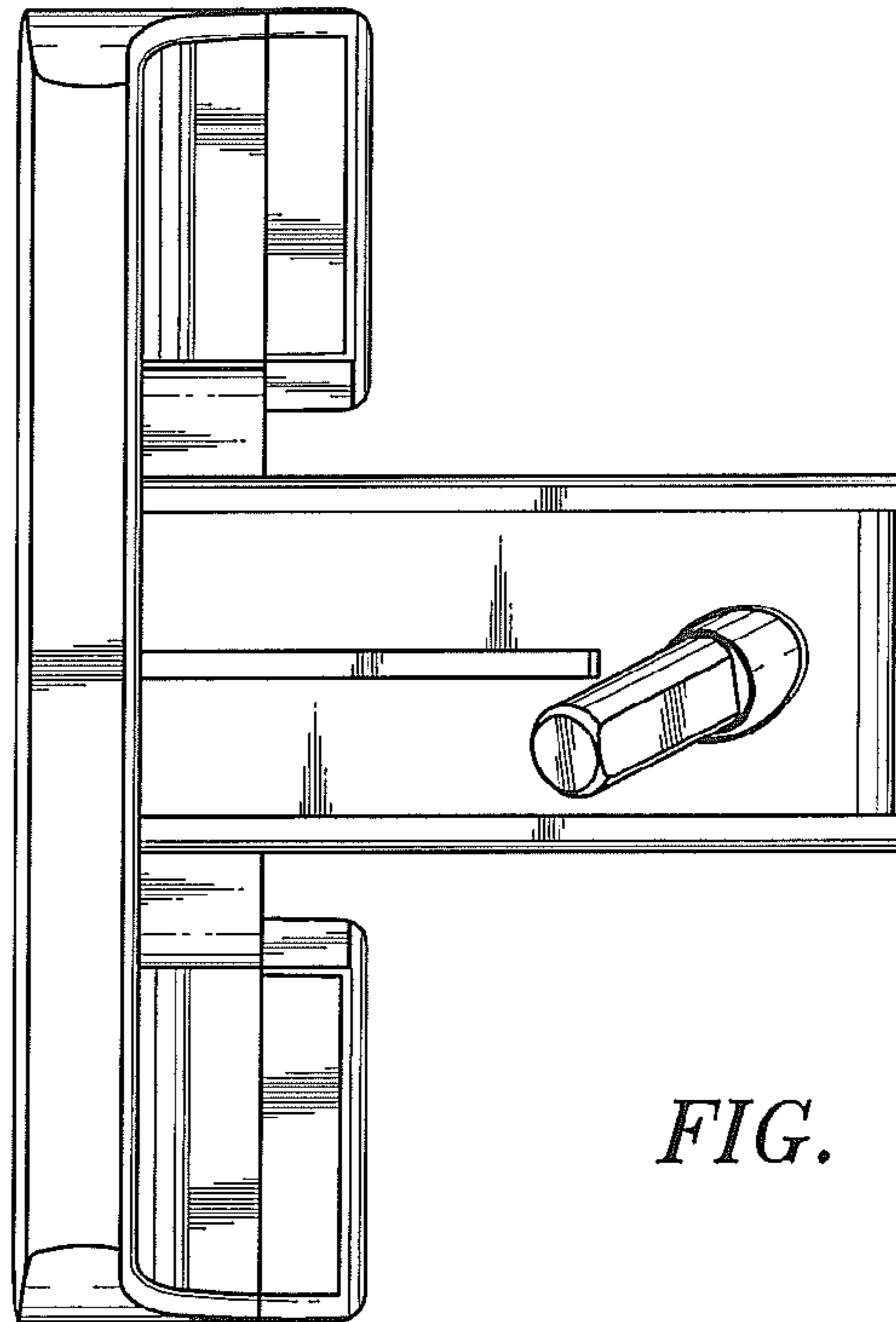


FIG. 4

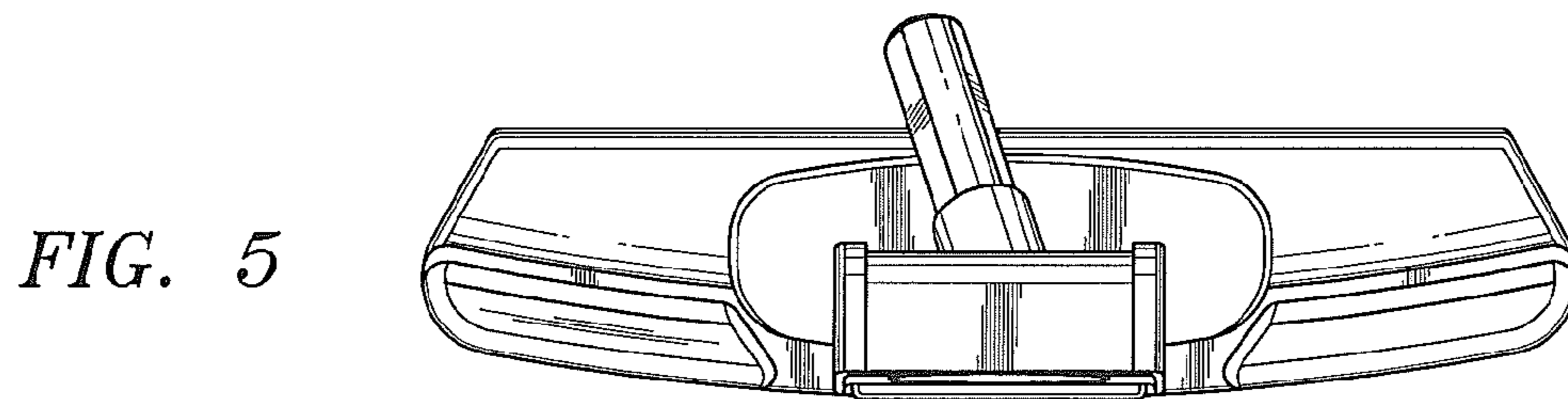


FIG. 5

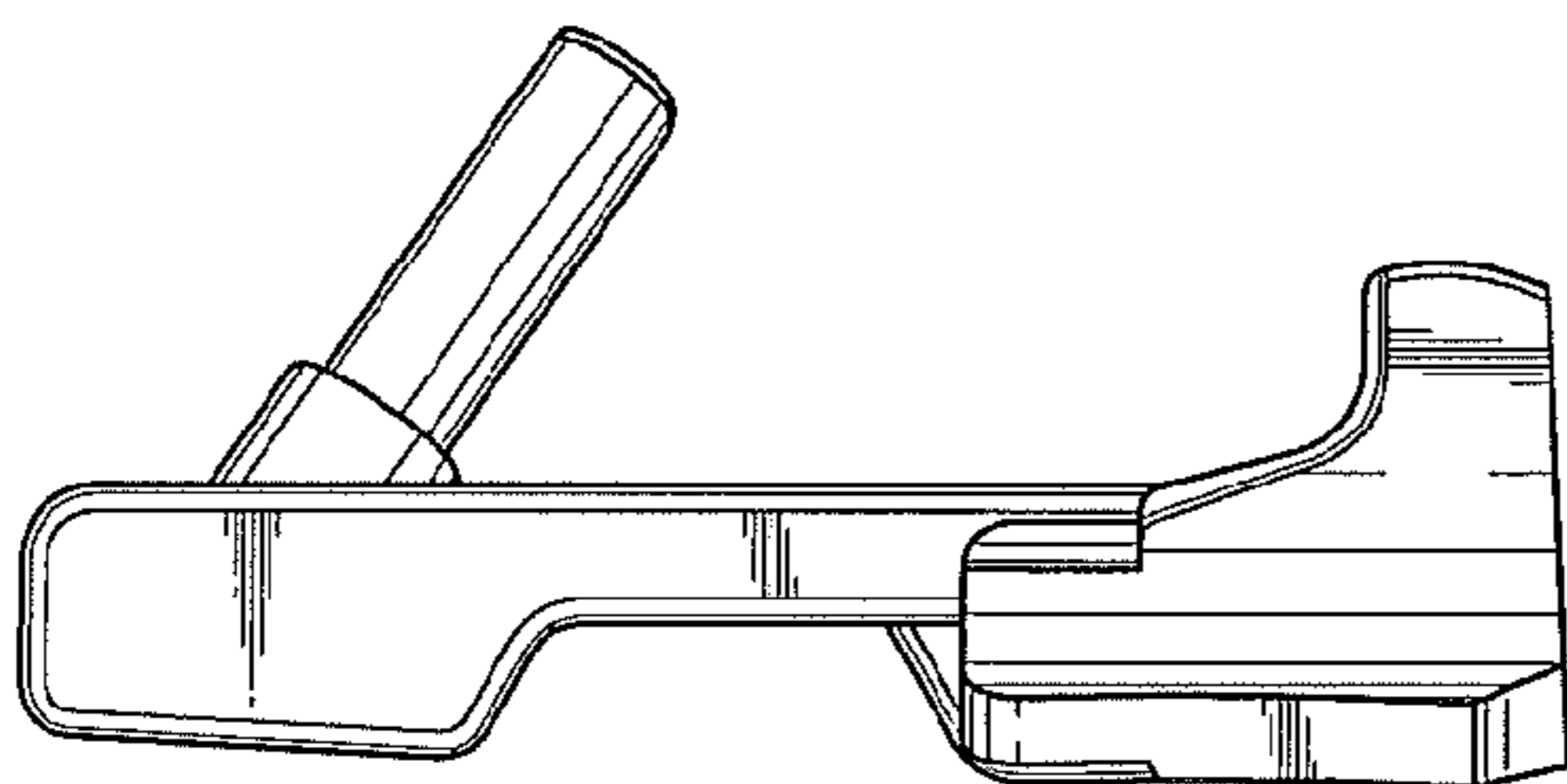


FIG. 6

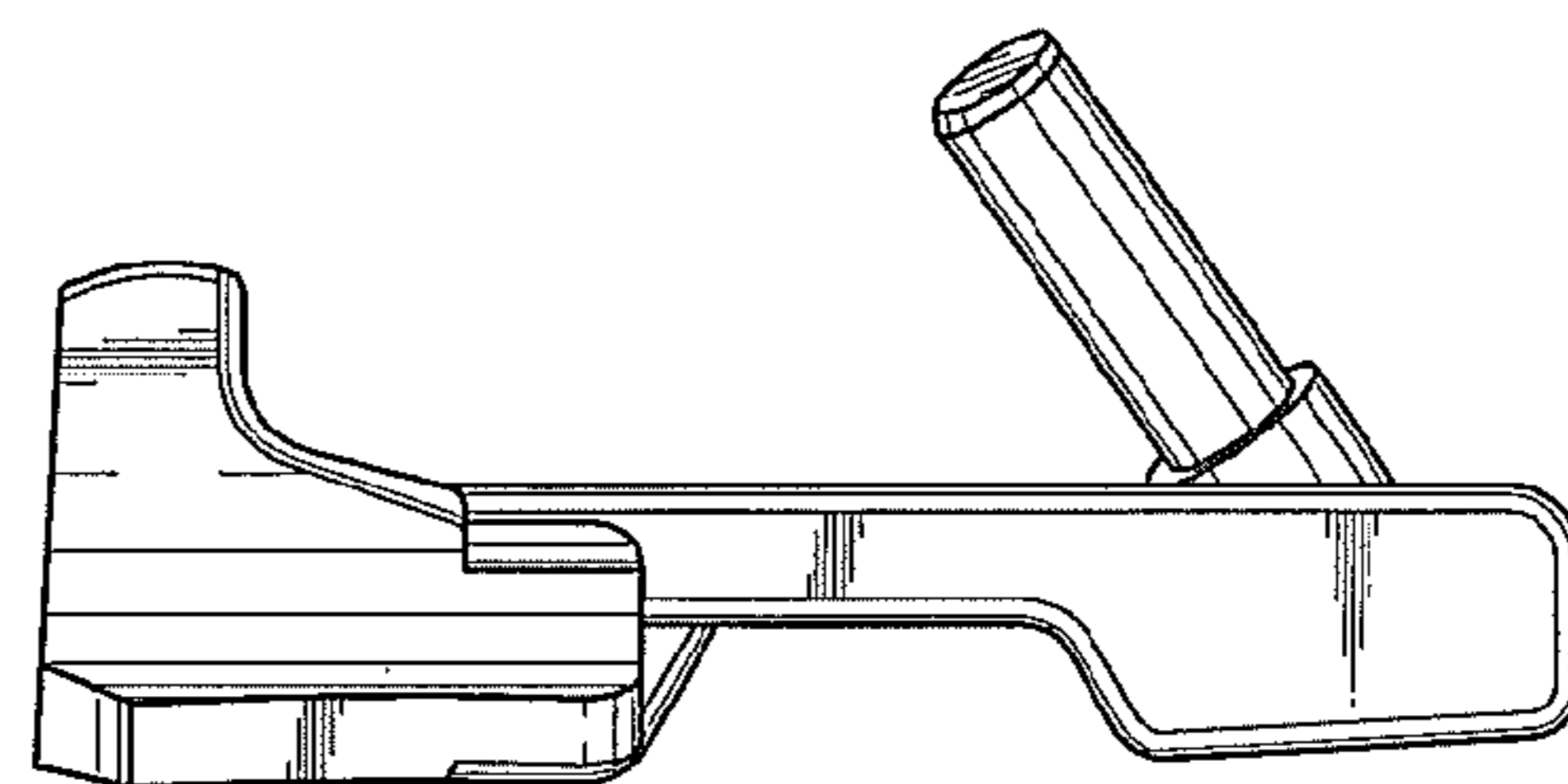


FIG. 7