

US00D623245S

(12) **United States Design Patent**
Evans

(10) **Patent No.:** **US D623,245 S**

(45) **Date of Patent:** **** Sep. 7, 2010**

(54) **DUMBBELL SHRUG BENCH**

(76) **Inventor:** **Steven Lee Evans, 506 Carter Rd.,
Siloam Springs, AR (US) 72761**

(**) **Term:** **14 Years**

(21) **Appl. No.:** **29/349,504**

(22) **Filed:** **Apr. 9, 2010**

(51) **LOC (9) Cl.** **21-02**

(52) **U.S. Cl.** **D21/686**

(58) **Field of Classification Search** D21/686,
D21/662, 673-676, 681, 690-691, 694; 482/92,
482/94, 97, 100, 104, 106, 108, 111, 135,
482/138, 140, 142, 144-145, 148

See application file for complete search history.

(56) **References Cited**

U.S. PATENT DOCUMENTS

1,495,536	A *	5/1924	Smith	482/38
4,666,150	A *	5/1987	Segrist et al.	482/104
4,750,739	A *	6/1988	Lange	482/104
D306,467	S *	3/1990	Smith	D21/691
5,141,480	A *	8/1992	Lennox et al.	482/104
D330,551	S *	10/1992	Thacker et al.	D14/143
5,273,506	A *	12/1993	Dawson, Jr.	482/104
5,582,565	A *	12/1996	Soria	482/141
5,662,556	A *	9/1997	Gangloff	482/38
5,769,371	A *	6/1998	Bandur	248/188.2
5,971,897	A *	10/1999	Olson et al.	482/101
D429,295	S *	8/2000	Ceppo	D21/686

6,350,219	B1 *	2/2002	Hobson	482/97
D480,772	S *	10/2003	Washington	D21/686
D504,164	S *	4/2005	Ceppo	D21/686
D520,577	S *	5/2006	Nelson et al.	D21/686
2009/0203505	A1 *	8/2009	Kroll et al.	482/104

* cited by examiner

Primary Examiner—Susan E Krakower

(74) *Attorney, Agent, or Firm*—Keisling + Pieper, PLC;
Stephen D. Schrantz

(57) **CLAIM**

The ornamental design for a dumbbell shrug bench, as shown and described.

DESCRIPTION

FIG. 1 is a top perspective view of a dumbbell shrug bench showing my new design;

FIG. 2 is a front view thereof, the rear view being a mirror image of the front view;

FIG. 3 is a top view thereof;

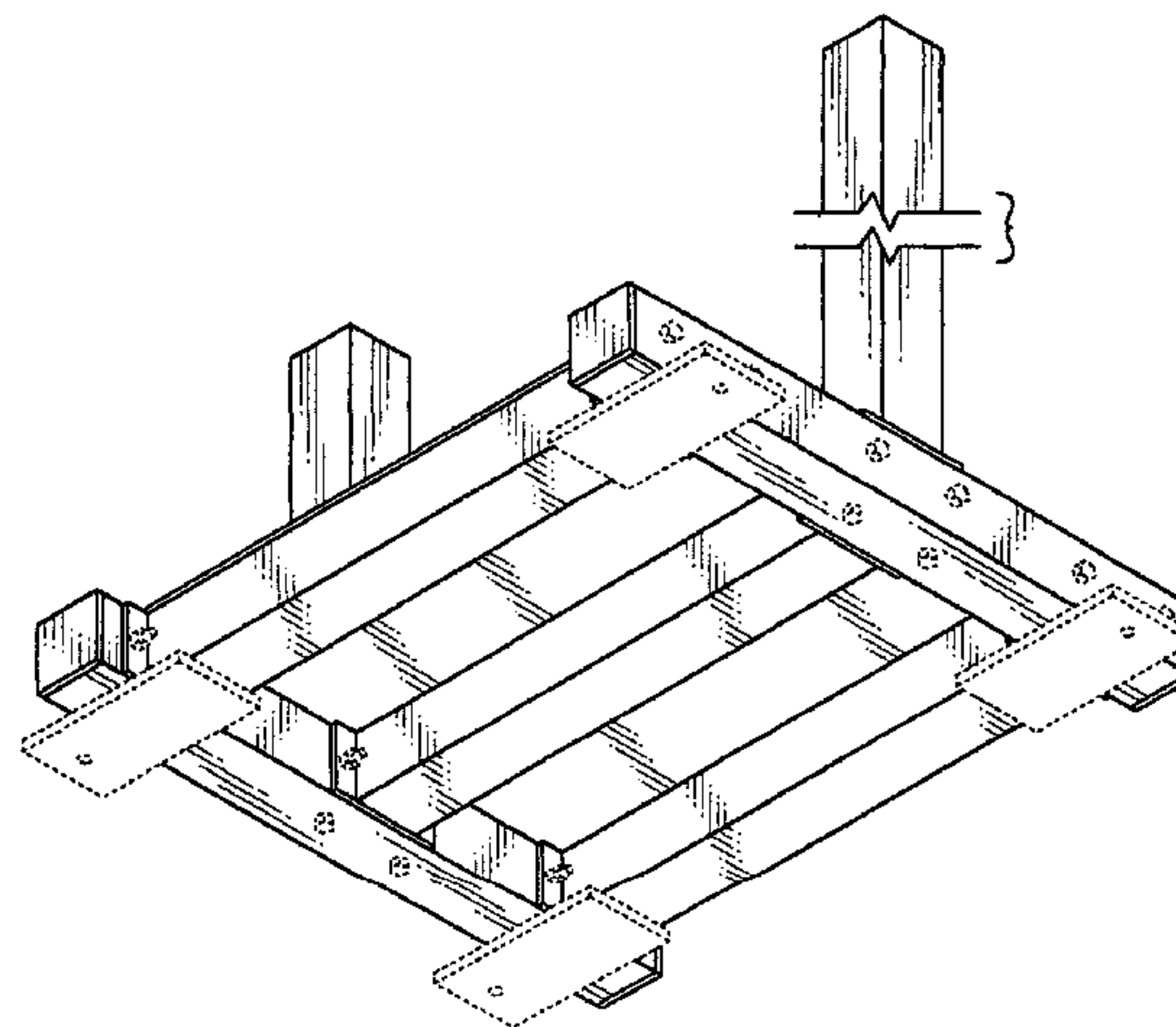
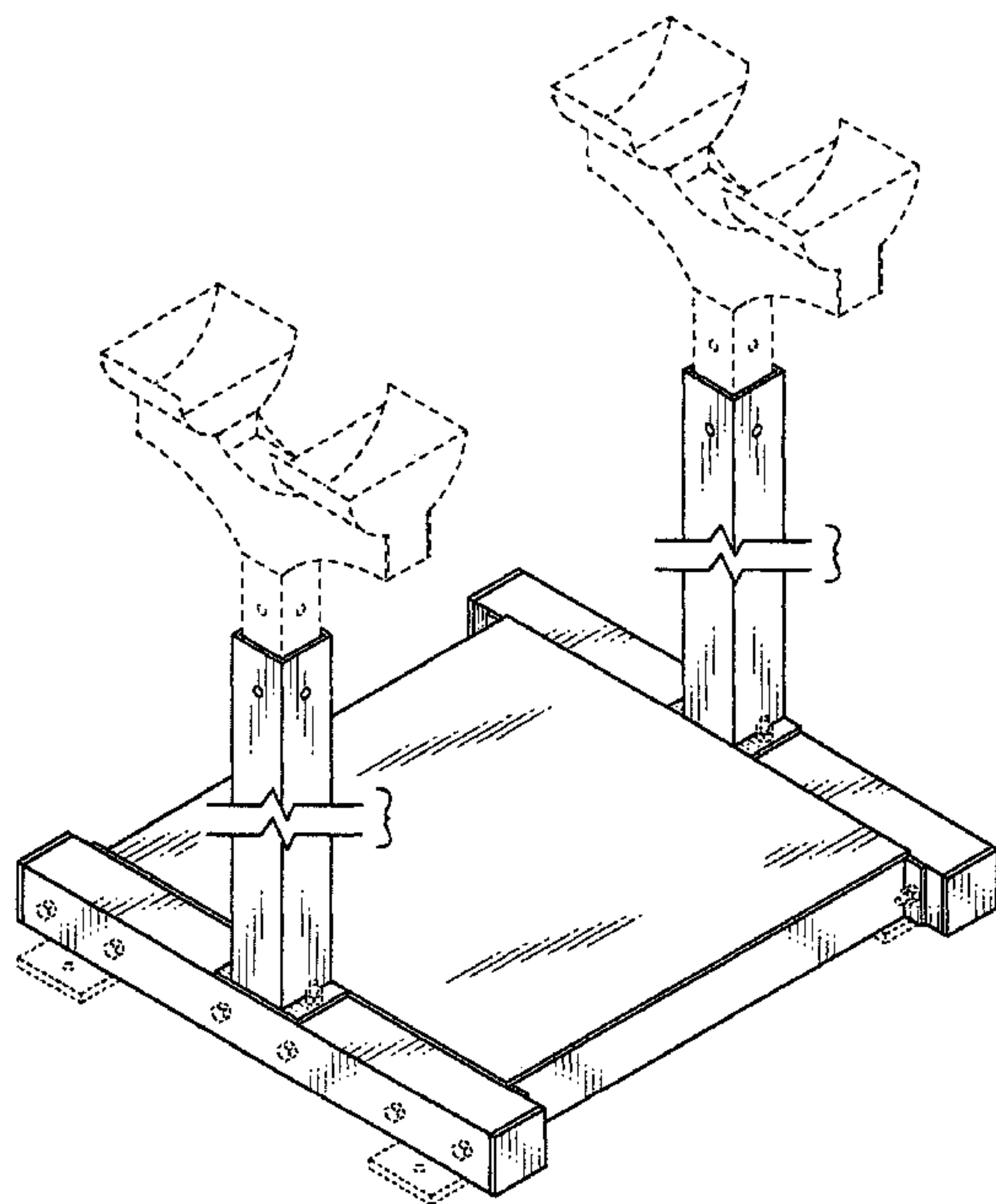
FIG. 4 is a right side view thereof; the left side view being a mirror image of the right side view;

FIG. 5 is a bottom view thereof; and,

FIG. 6 is a bottom perspective view thereof.

The broken lines illustrate portions of the dumbbell shrug bench which form no part of the claimed design.

1 Claim, 3 Drawing Sheets



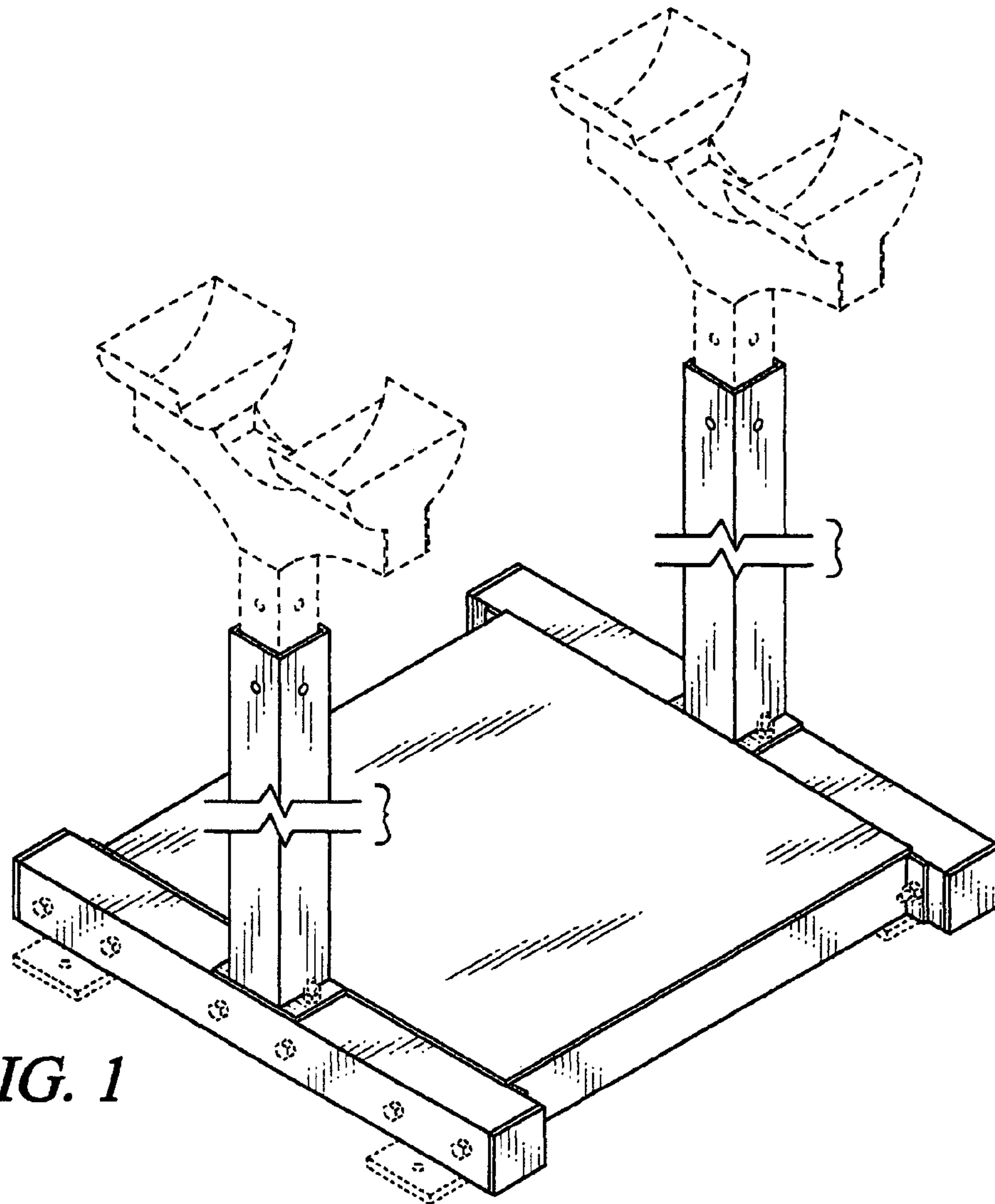


FIG. 1

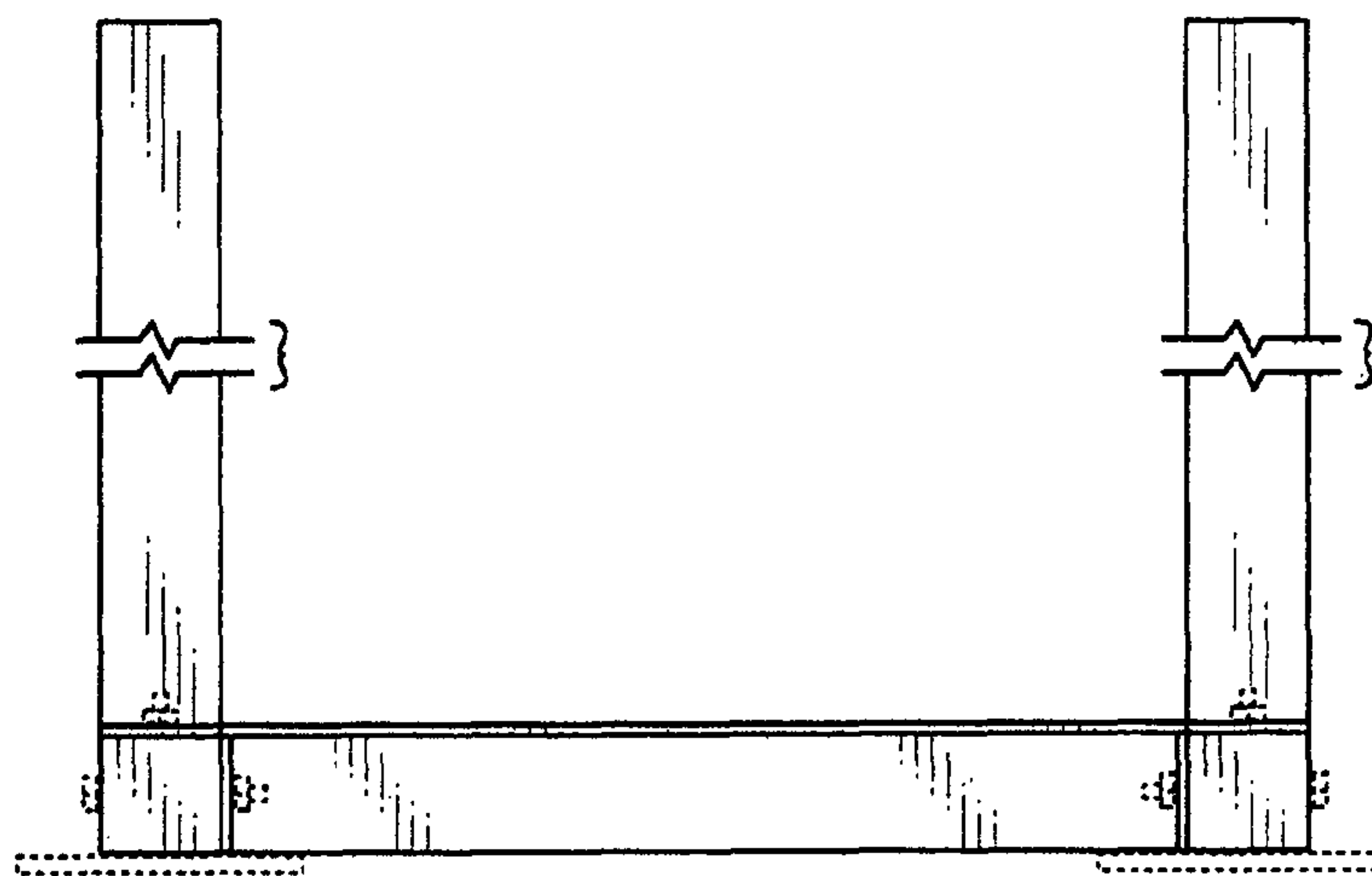


FIG. 2

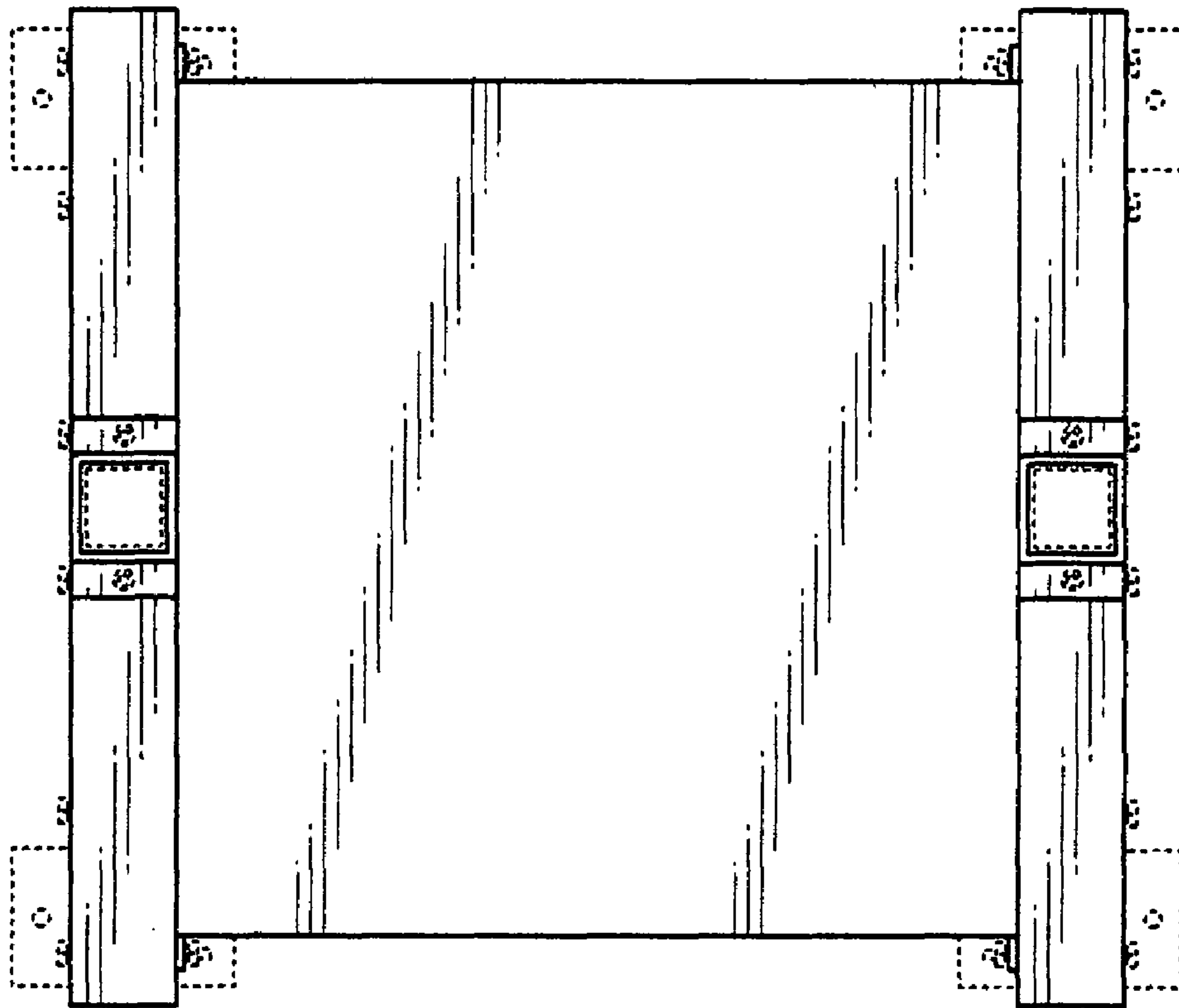


FIG. 3

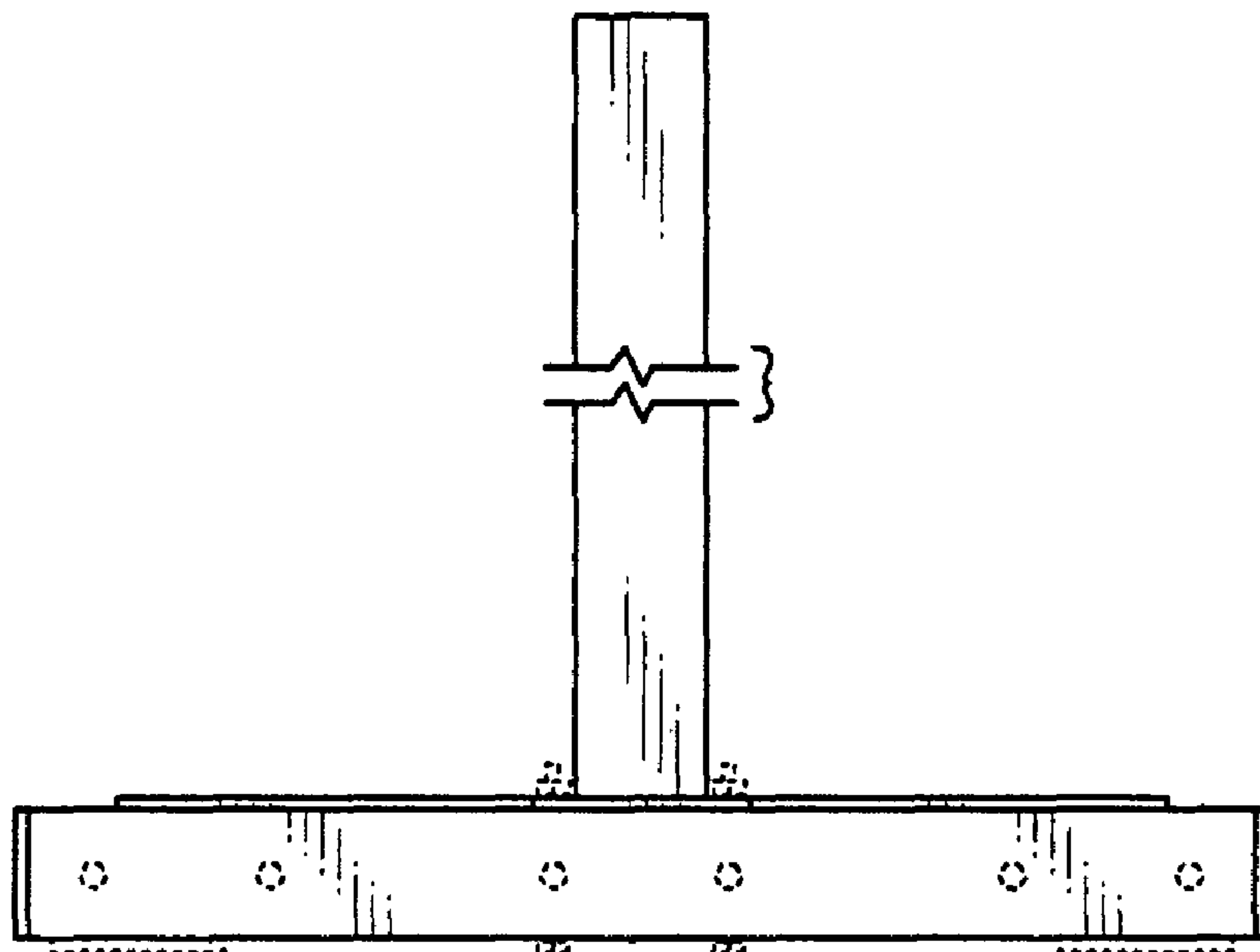


FIG. 4

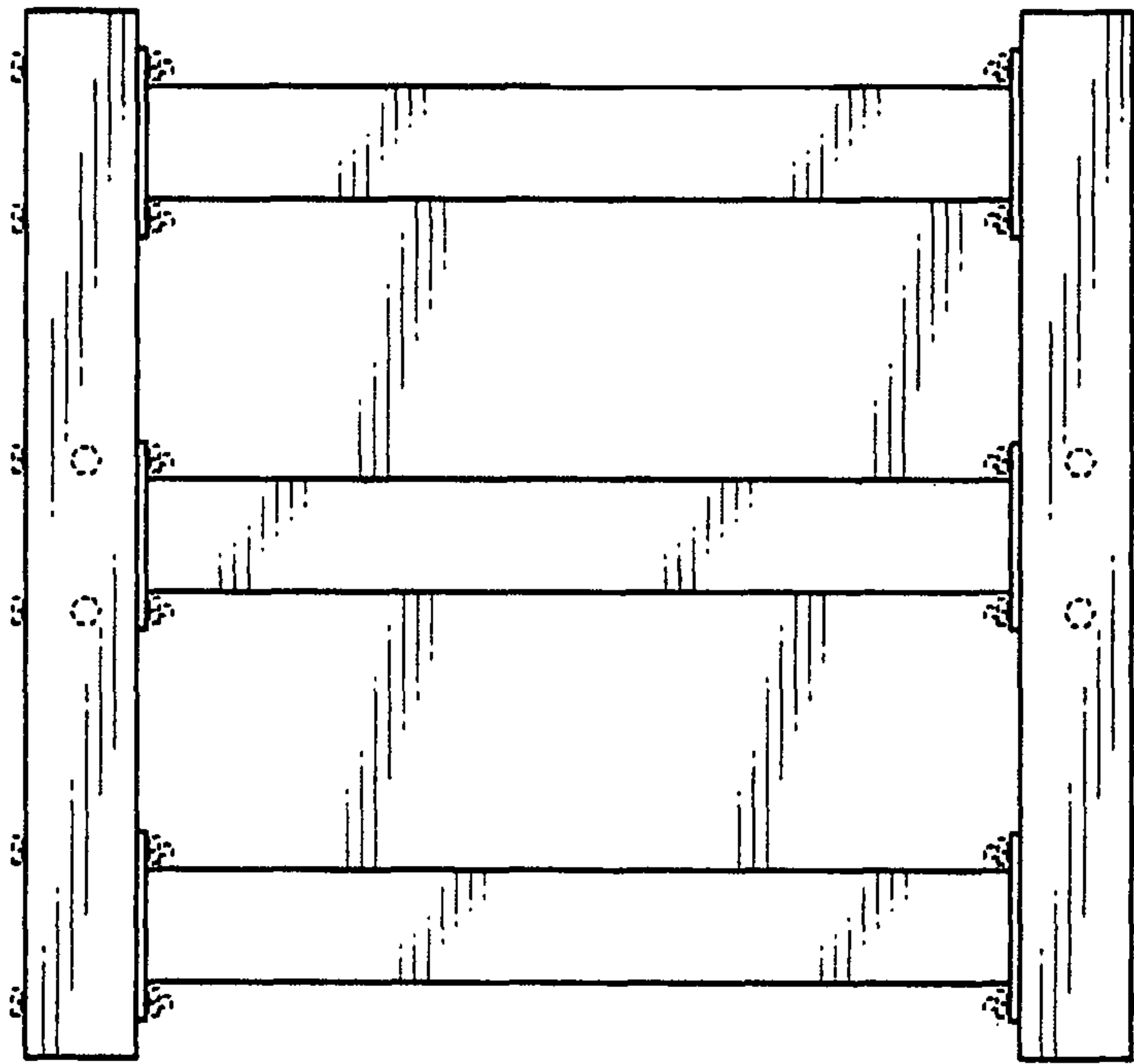


FIG. 5

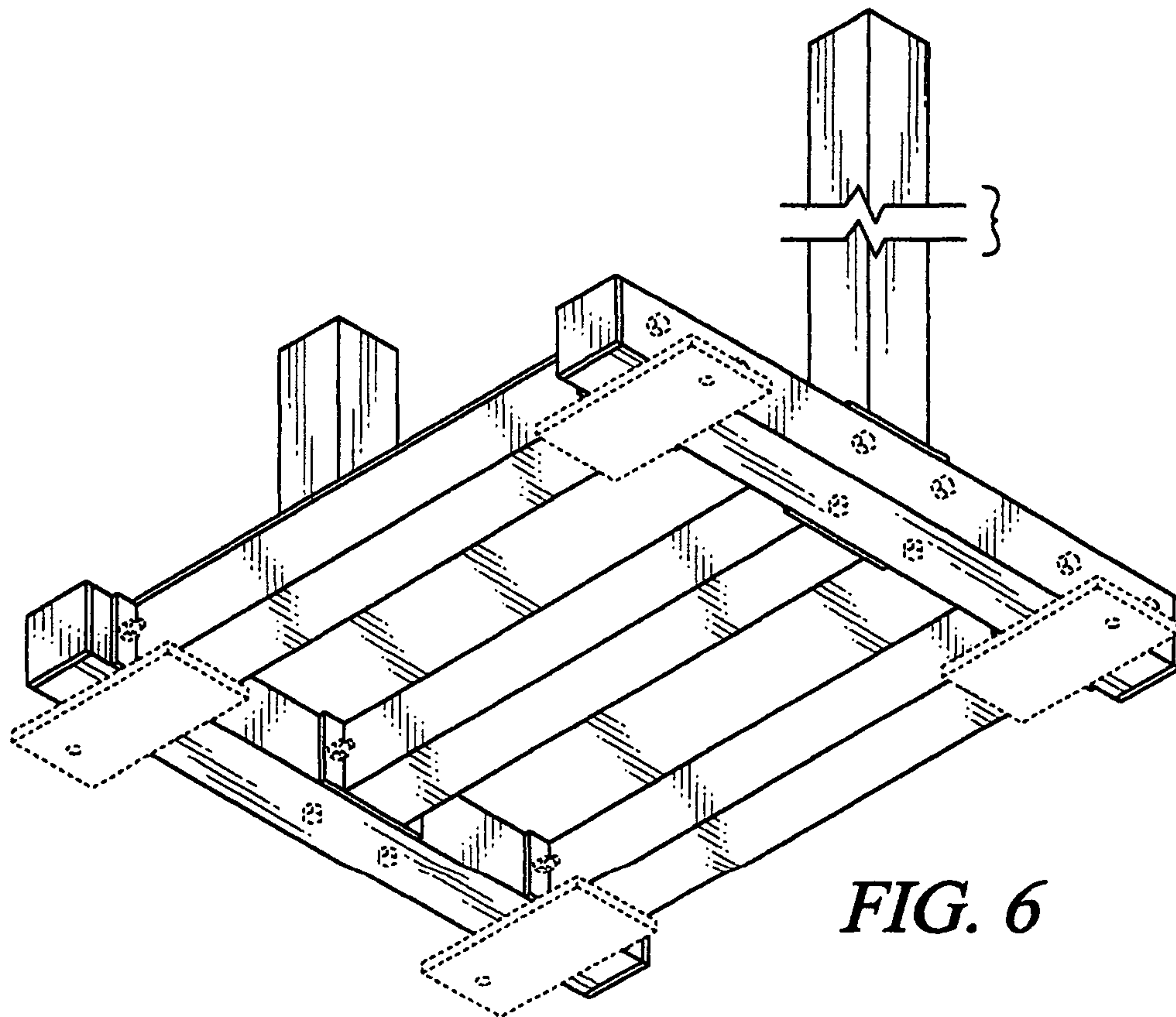


FIG. 6