



US00D623243S

(12) **United States Design Patent**  
**Chen et al.**

(10) **Patent No.:** **US D623,243 S**

(45) **Date of Patent:** **\*\* Sep. 7, 2010**

(54) **EXERCISING HOOP**

(76) Inventors: **I-Huang Chen**, No. 66, Alley 71, Lane 252, Sec. 2, Jieshou Rd., Pateh City, Taoyuan Hsien (TW); **Chang-Feng Lin**, 4F., No. 76, Daxin St., Yonghe City, Taipei Hsien (TW)

(\*\*) Term: **14 Years**

(21) Appl. No.: **29/311,300**

(22) Filed: **Feb. 11, 2009**

(51) **LOC (9) Cl.** ..... **21-02**

(52) **U.S. Cl.** ..... **D21/662**

(58) **Field of Classification Search** ..... D21/662,  
D21/692, 456, 684, 191, 198; 273/109; 428/131;  
446/170; 482/121, 122, 124, 126, 127, 131  
See application file for complete search history.

(56) **References Cited**

U.S. PATENT DOCUMENTS

866,495	A	*	9/1907	Marks	.....	482/124
3,109,651	A	*	11/1963	O'Donnell	.....	273/109
D232,045	S	*	7/1974	Petrillo	.....	D21/456
D347,667	S	*	6/1994	Giacalone et al.	.....	D21/692
5,433,688	A	*	7/1995	Davies	.....	482/124
5,674,162	A	*	10/1997	Ellingson et al.	.....	482/110
D390,896	S	*	2/1998	Stalnaker	.....	D21/662
5,735,781	A	*	4/1998	Pai	.....	482/126

D455,185	S	*	4/2002	Karadimas	.....	D21/692
D458,653	S	*	6/2002	Hsu	.....	D21/662
D518,535	S	*	4/2006	Haskell	.....	D21/662
D593,167	S	*	5/2009	Vigilia	.....	D21/662
D613,352	S	*	4/2010	Rangel	.....	D21/692

\* cited by examiner

*Primary Examiner*—Robert M Spear

*Assistant Examiner*—Cynthia Underwood

(74) *Attorney, Agent, or Firm*—Bacon & Thomas, PLLC

(57) **CLAIM**

The ornamental design for an exercising hoop, as shown and described.

**DESCRIPTION**

FIG. 1 is a perspective view of an exercising hoop showing our new design;

FIG. 2 is a front view thereof;

FIG. 3 is a rear view thereof;

FIG. 4 is a left side view thereof;

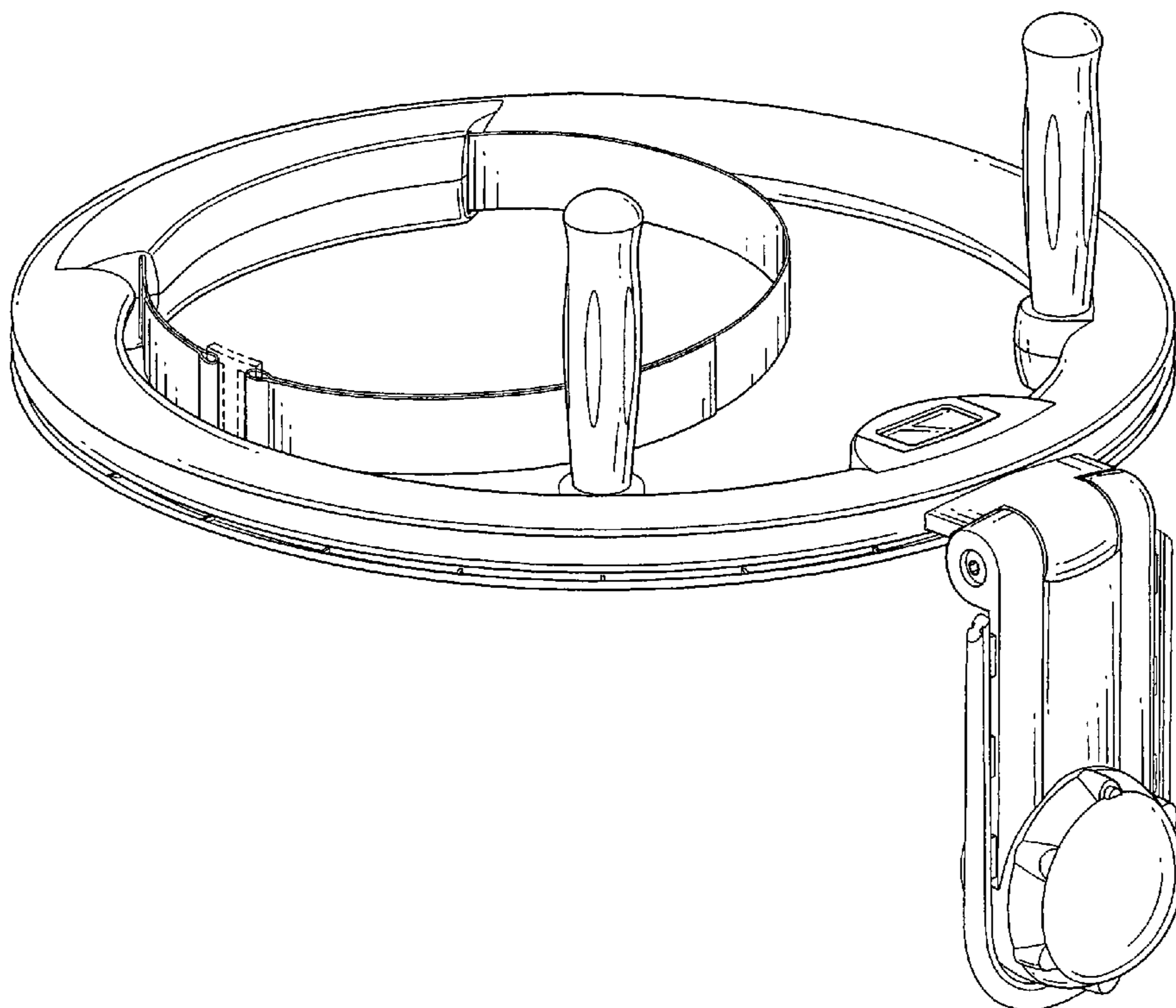
FIG. 5 is a right side view thereof;

FIG. 6 is a top view thereof; and,

FIG. 7 is a bottom view thereof.

The broken lines represent portions of the structure that form no part of the claim.

**1 Claim, 5 Drawing Sheets**



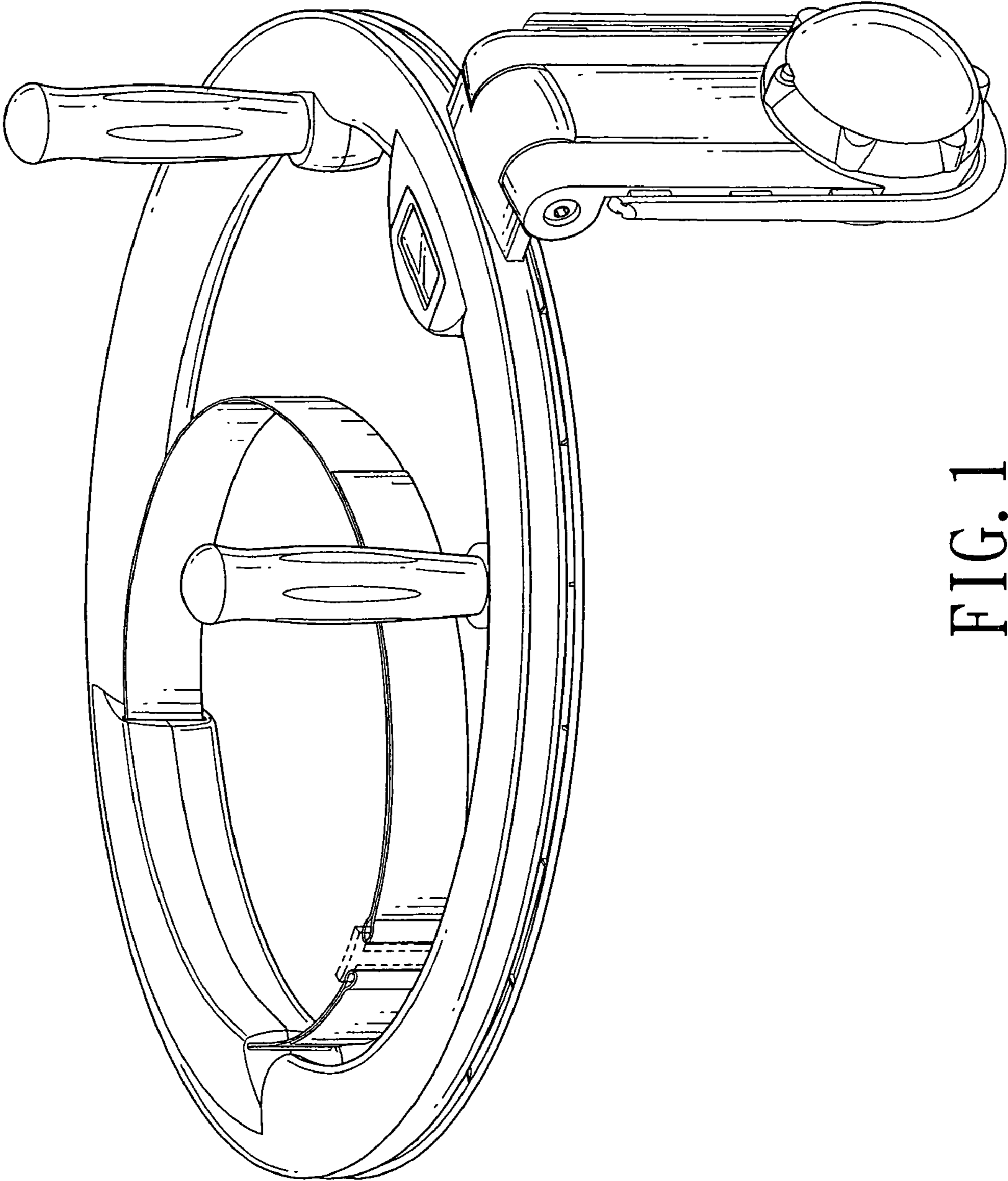


FIG. 1

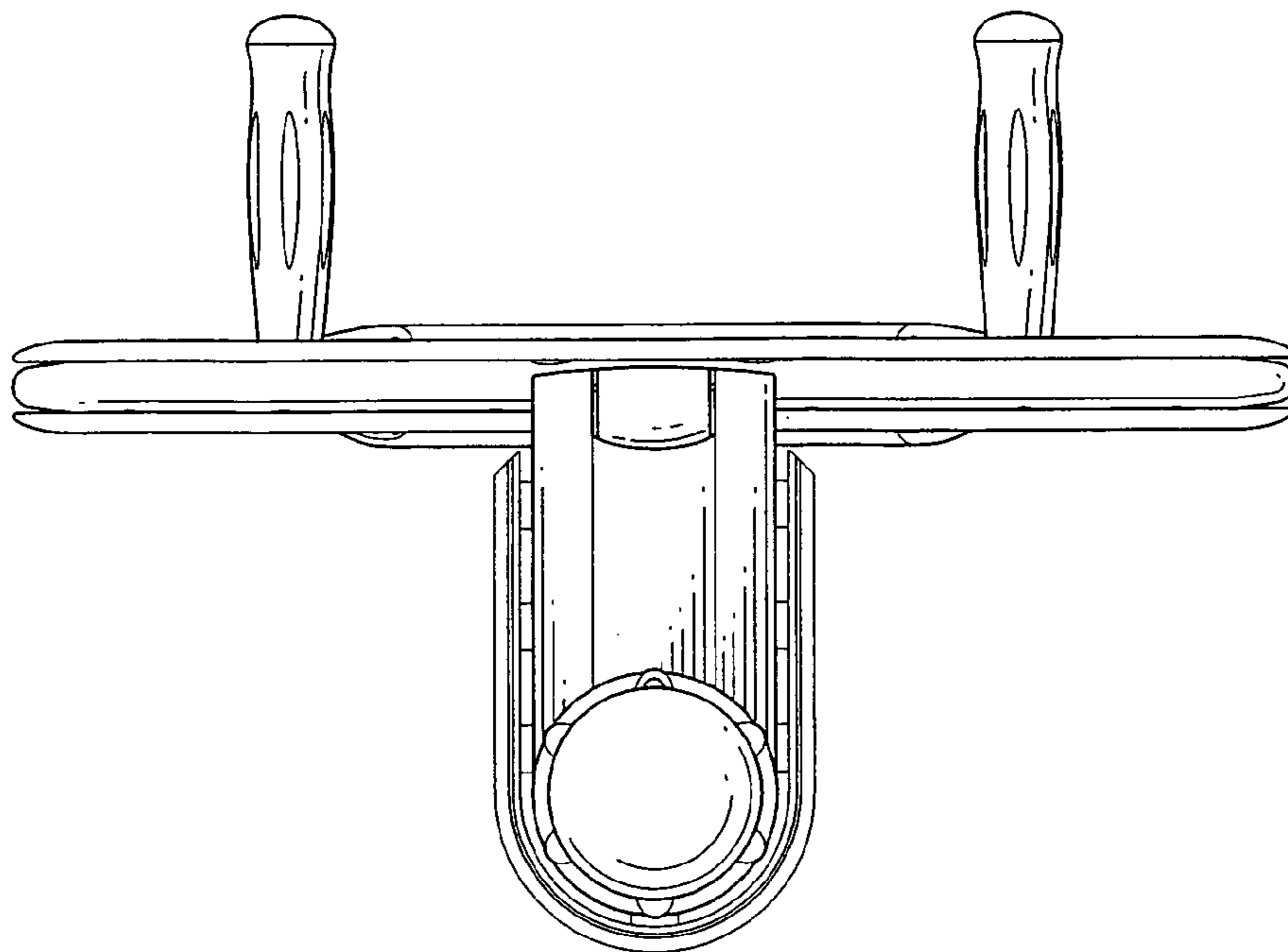


FIG. 2

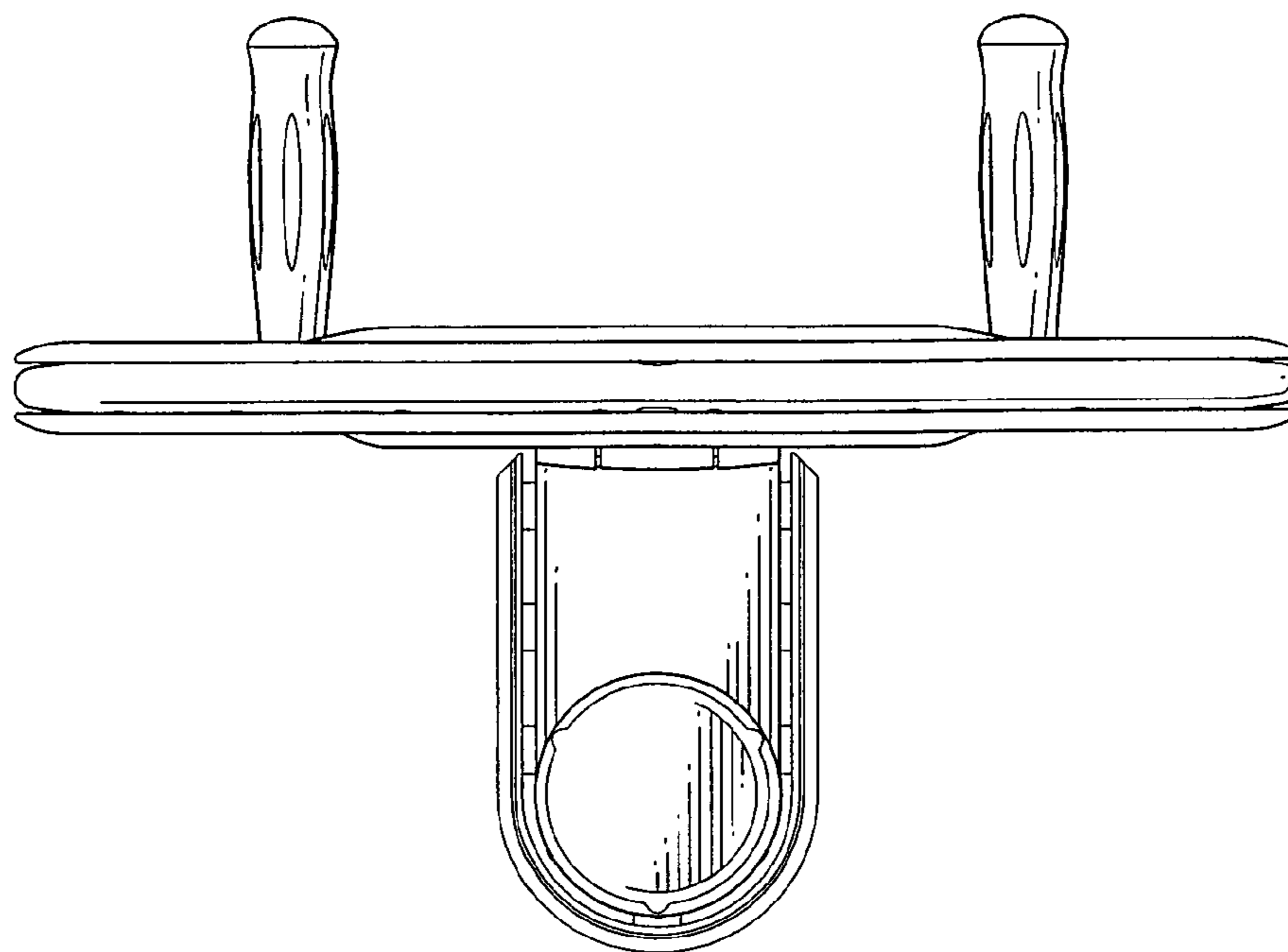


FIG. 3

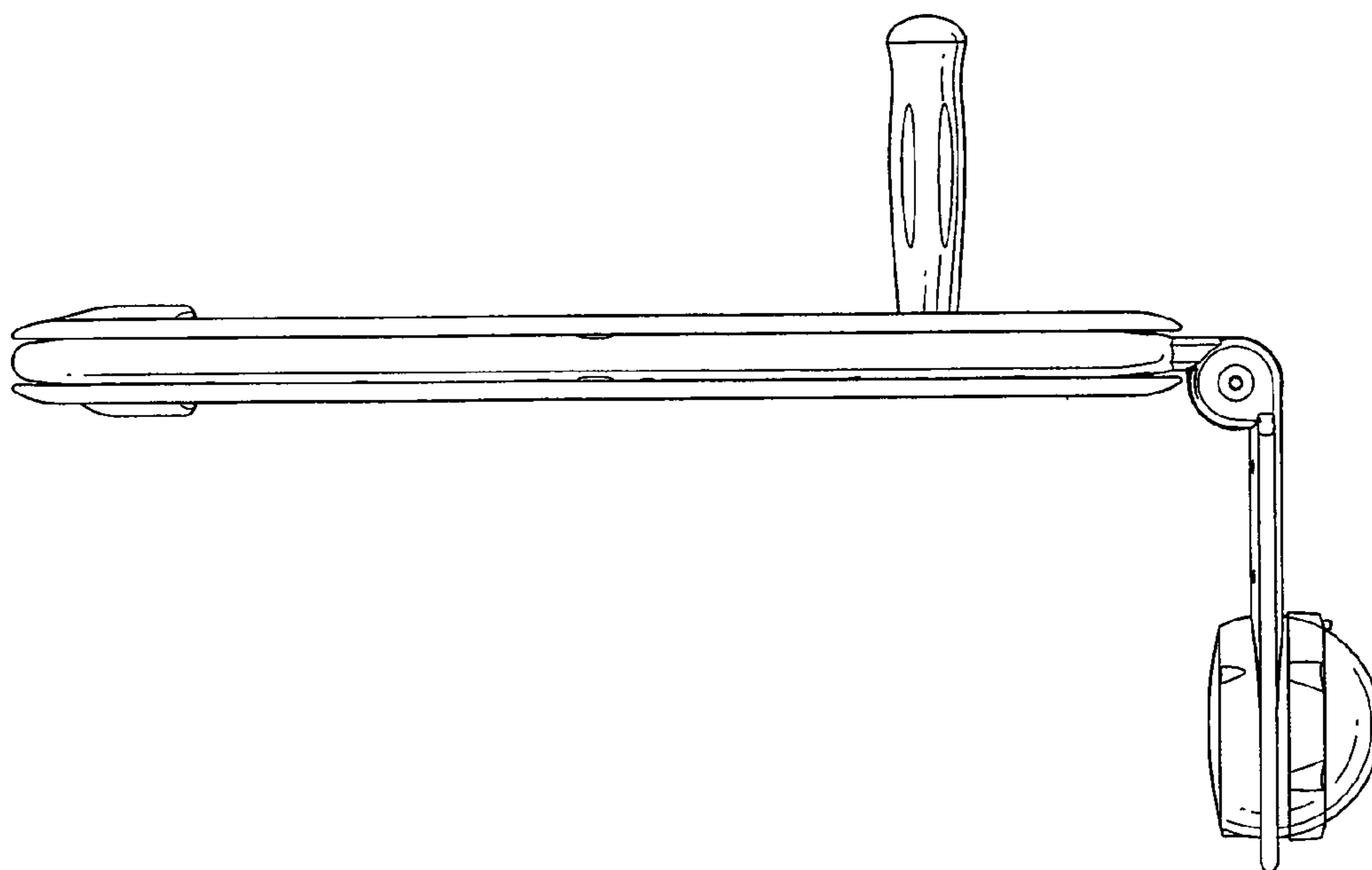


FIG. 4

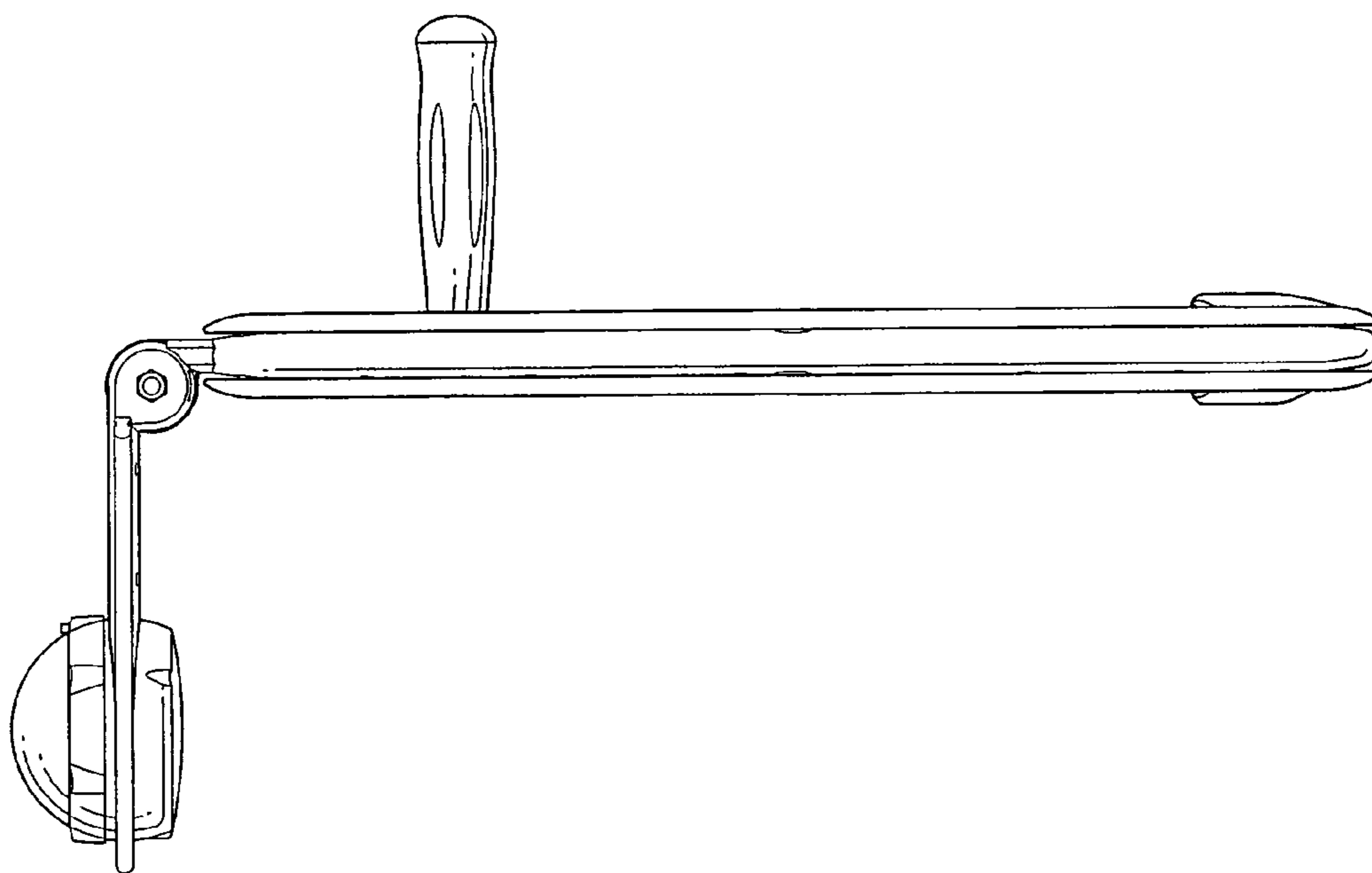


FIG. 5

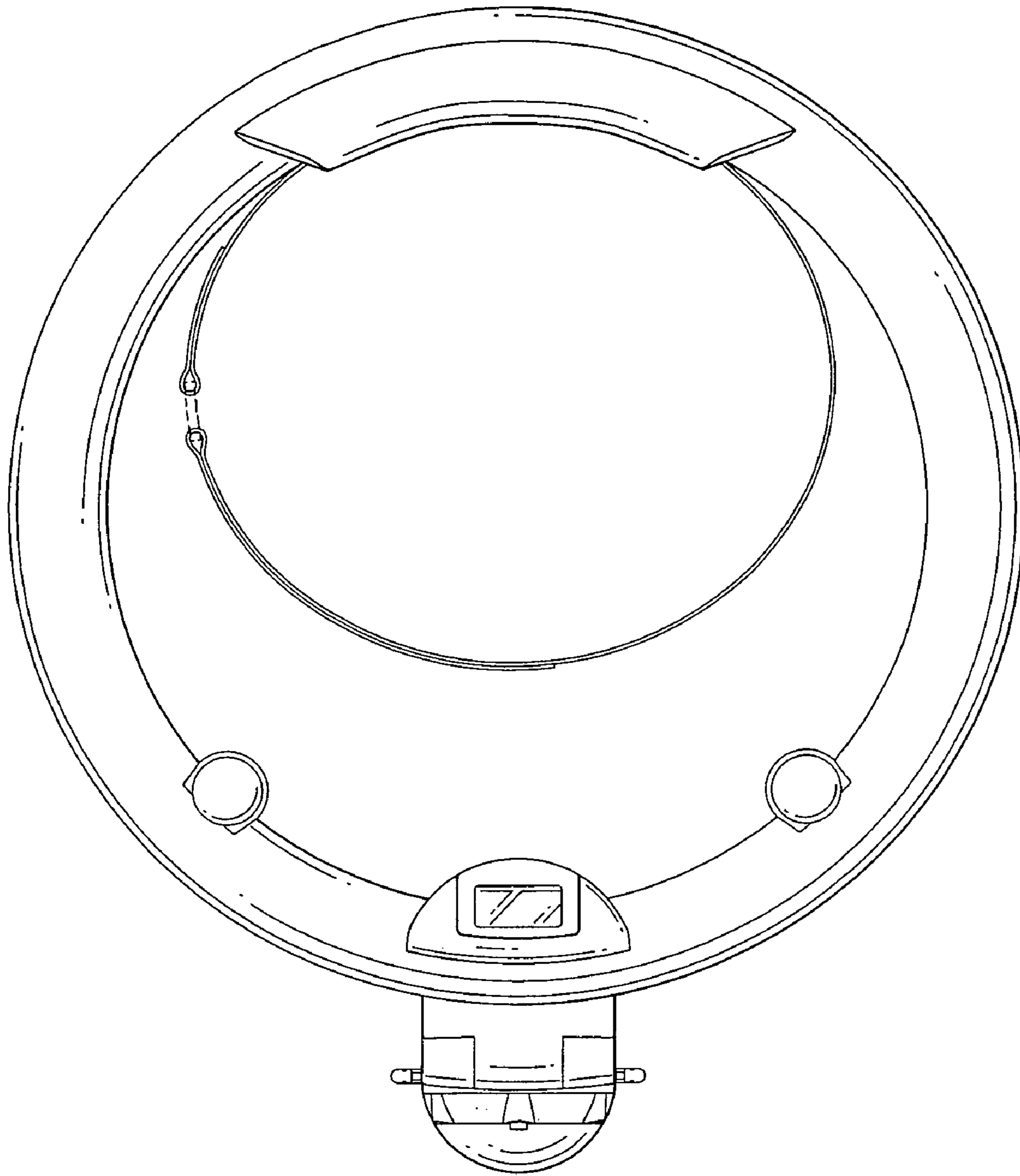


FIG. 6

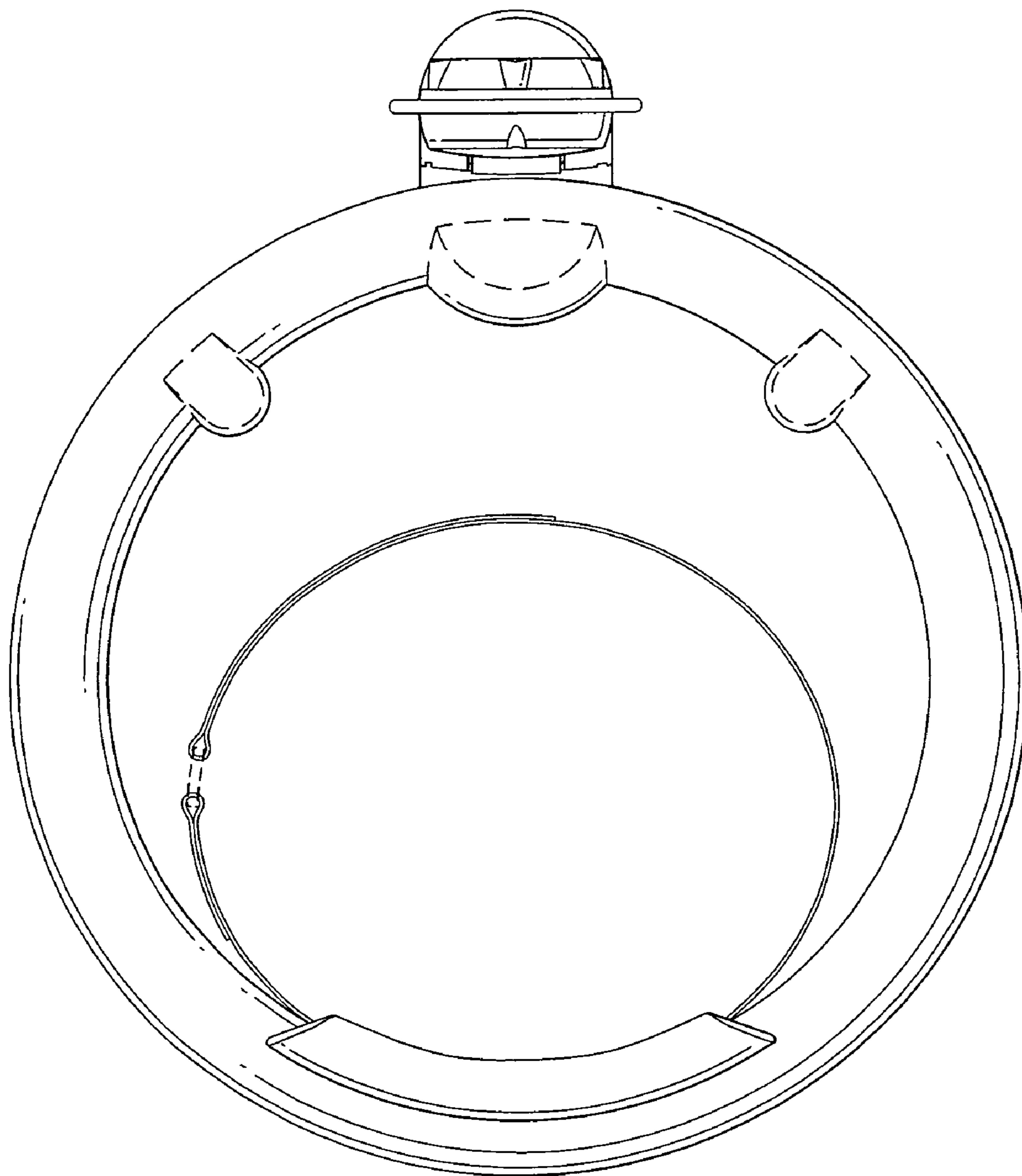


FIG. 7