



US00D623240S

(12) **United States Design Patent**  
**Osuka**

(10) **Patent No.:** **US D623,240 S**  
(45) **Date of Patent:** **\*\* Sep. 7, 2010**

(54) **CARD GAME DEVICE**

(75) Inventor: **Koji Osuka**, Tokyo (JP)

(73) Assignee: **Kabushiki Kaisha Sega**, Tokyo (JP)

(\*\*) Term: **14 Years**

(21) Appl. No.: **29/334,975**

(22) Filed: **Apr. 6, 2009**

(30) **Foreign Application Priority Data**

Oct. 6, 2008 (JP) ..... 2008-025654

(51) **LOC (9) Cl.** ..... **21-03**

(52) **U.S. Cl.** ..... **D21/369**

(58) **Field of Classification Search** ..... D21/324-333,  
D21/369-370, 385; 273/138.1, 138.2; 463/11-13,  
463/20, 22, 30, 46-47

See application file for complete search history.

(56) **References Cited**

**U.S. PATENT DOCUMENTS**

D557,348 S \* 12/2007 Gutknecht et al. .... D21/370

D559,917 S \* 1/2008 Cole ..... D21/369

**OTHER PUBLICATIONS**

AC Coin and Slot Product Guide 2003, p. 19. Black Cherry Game Machine, top.\*

\* cited by examiner

*Primary Examiner*—Sandra Morris

(74) *Attorney, Agent, or Firm*—Dickstein Shapiro LLP

(57) **CLAIM**

The ornamental design for the card game device, as shown and described.

**DESCRIPTION**

FIG. 1 is a front, top and right side perspective view of my new design for a card game device;

FIG. 2 is a front elevational view of the card game device of FIG. 1;

FIG. 3 is a rear elevational view of the card game device of FIG. 1;

FIG. 4 is a bottom plan view of the card game device of FIG. 1;

FIG. 5 is a right side elevational view of the card game device of FIG. 1; and,

FIG. 6 is a left side elevational view of the card game device of FIG. 1.

**1 Claim, 6 Drawing Sheets**

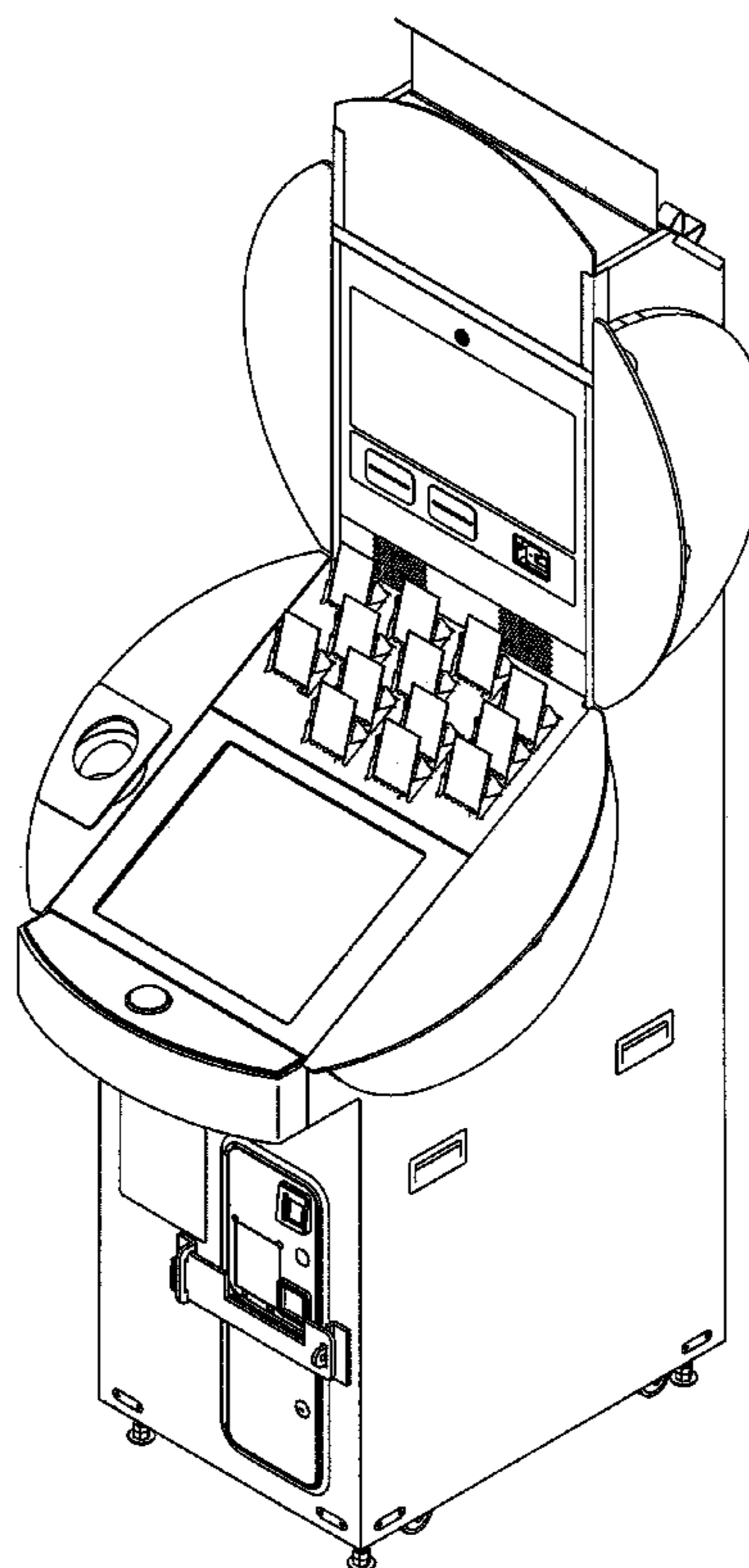


FIG. 1

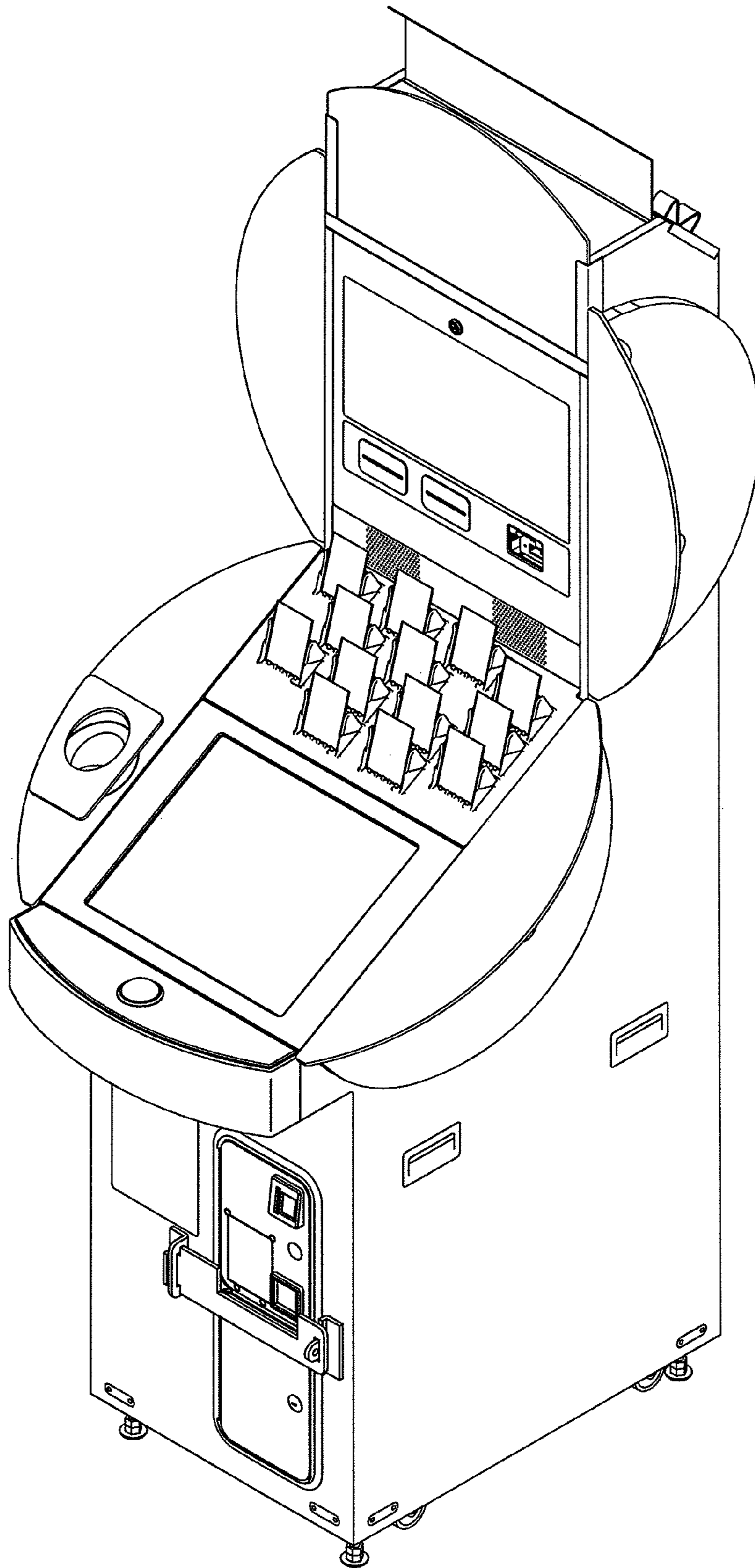


FIG. 2

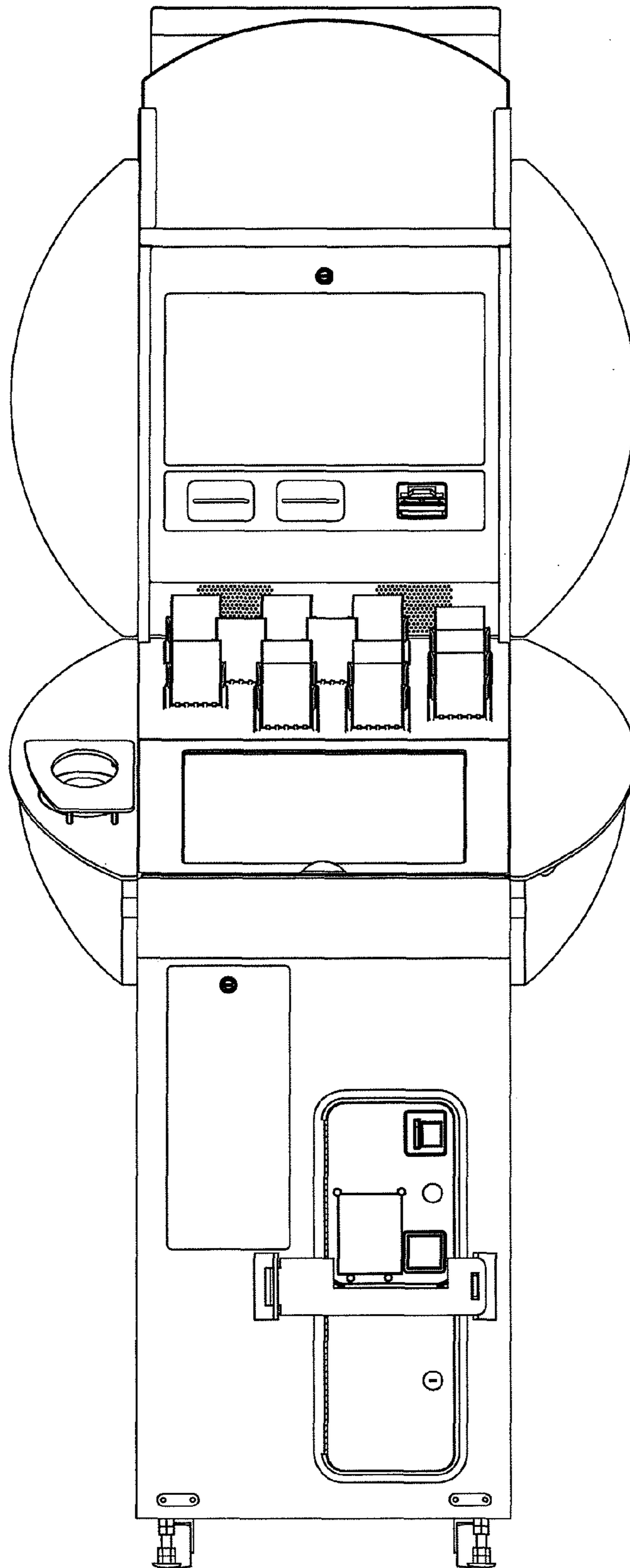


FIG. 3

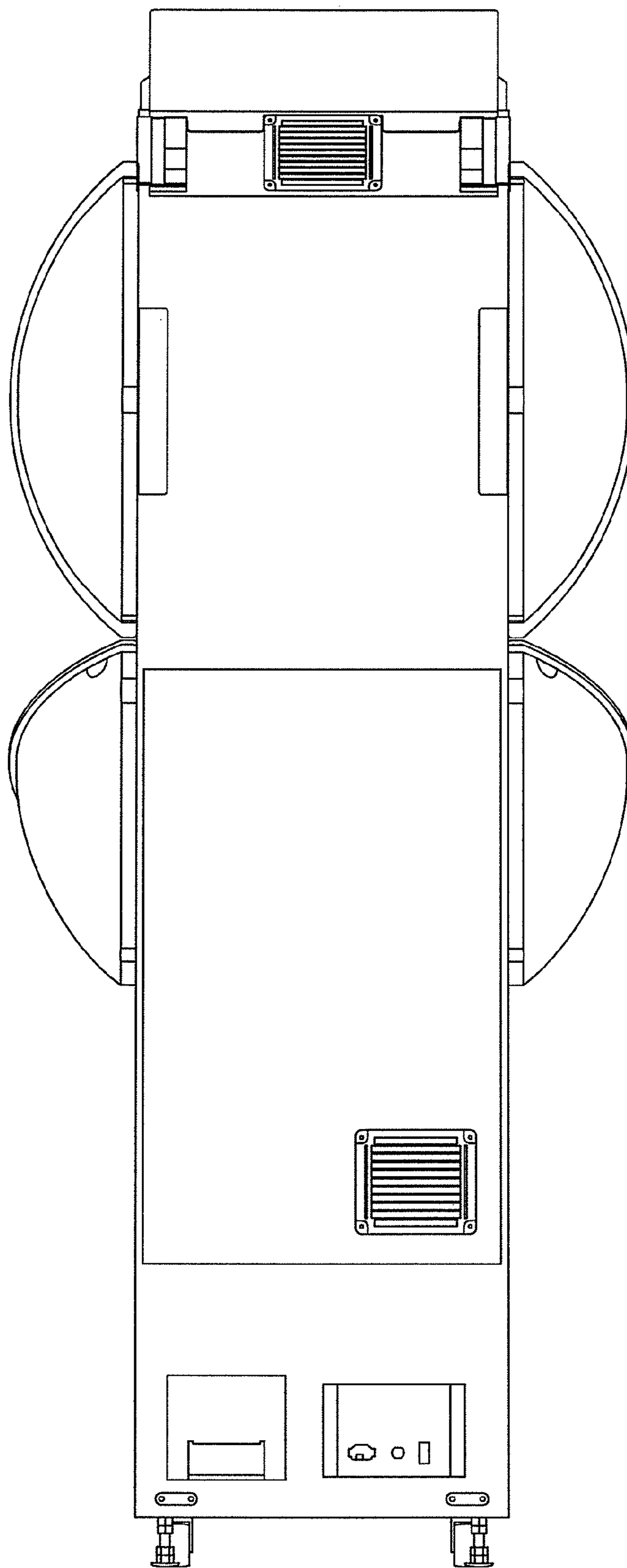


FIG. 4

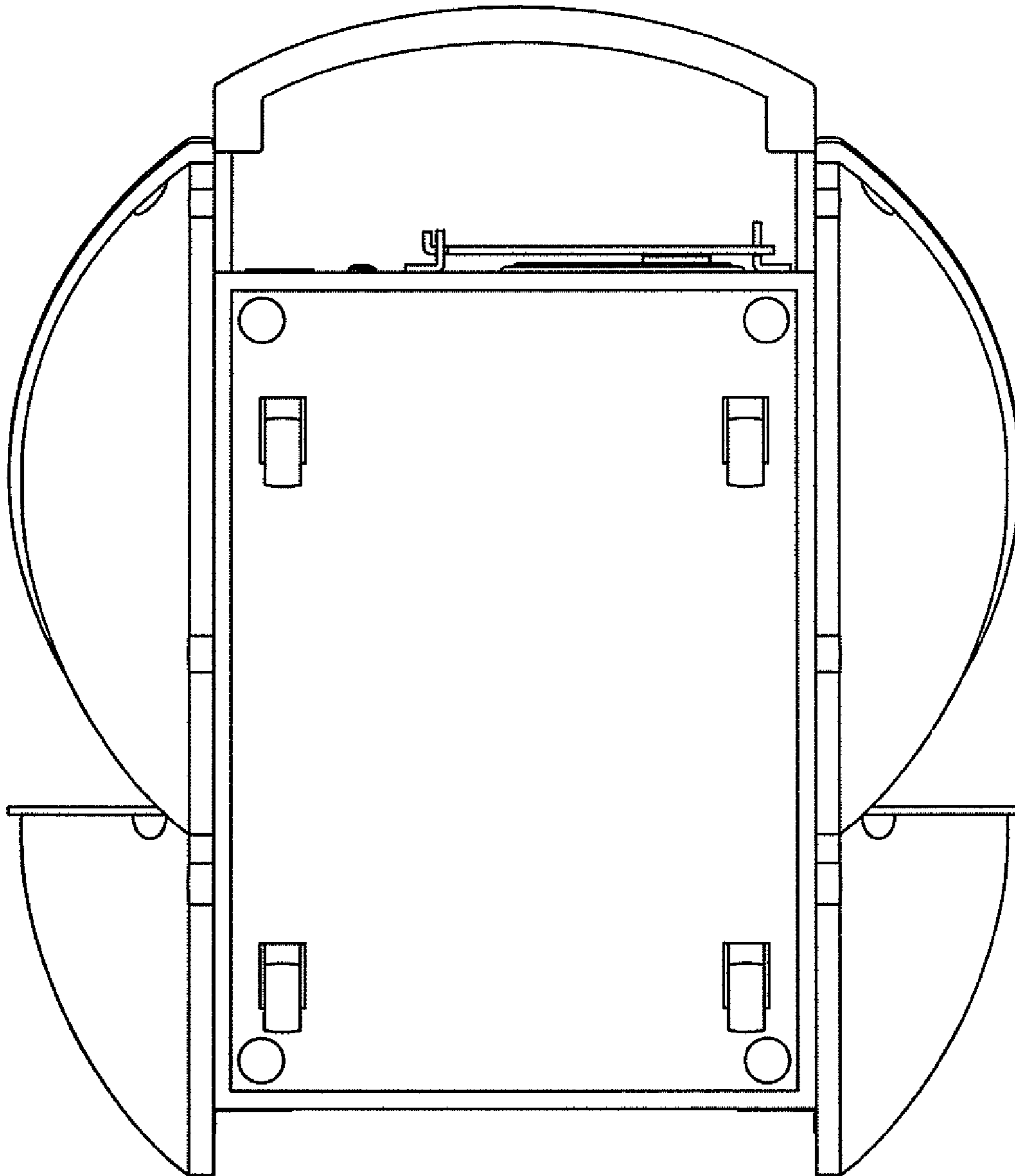




FIG. 5

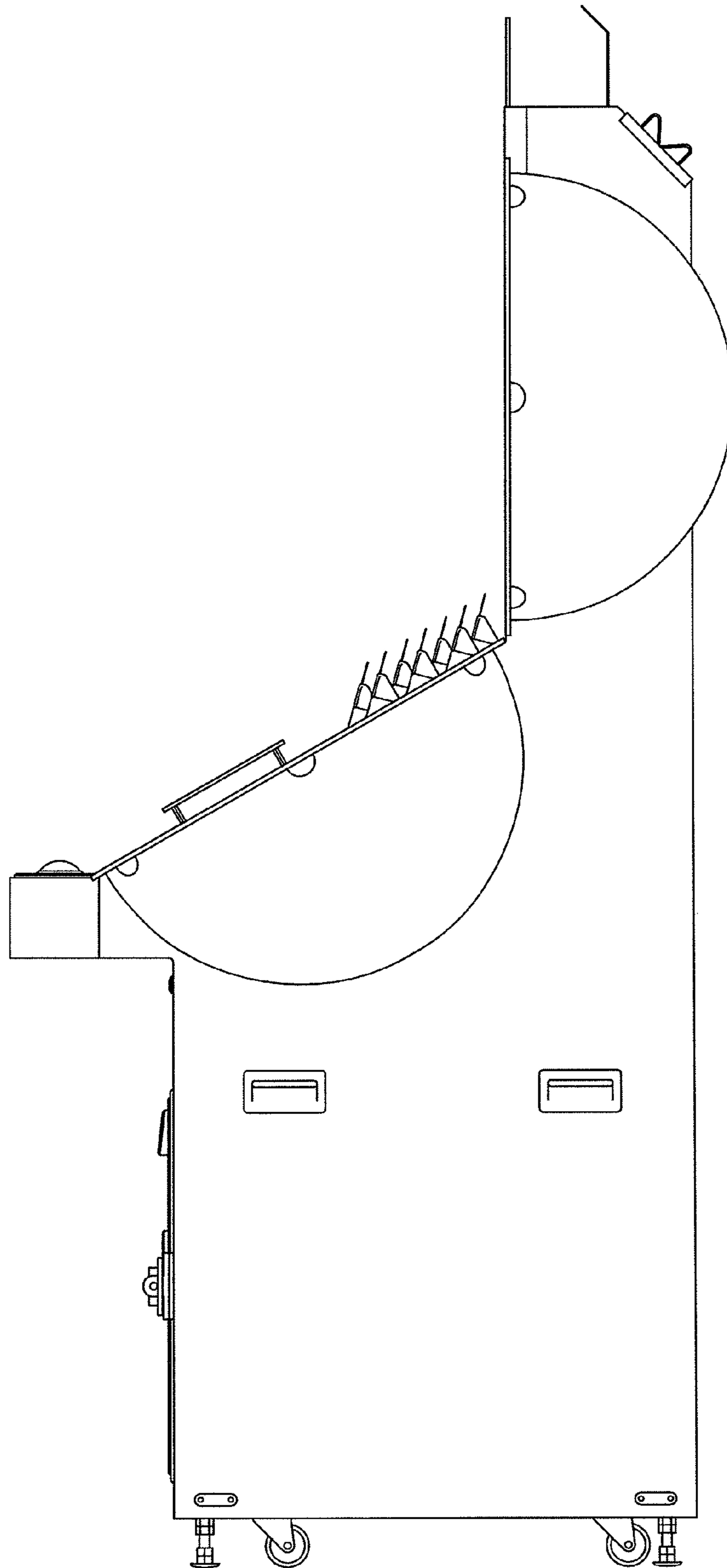


FIG. 6

