



US00D623237S

(12) **United States Design Patent**
Lee

(10) **Patent No.:** **US D623,237 S**
(45) **Date of Patent:** **** Sep. 7, 2010**

(54) **COMBINED ILLUMINATED EMERGENCY AND EXIT SIGN**

(75) Inventor: **Sung Keun Lee**, Huizhou (CN)

(73) Assignee: **Je Woo Corporation, Ltd., Hui Yang**,
Guang Dong (CN)

(**) Term: **14 Years**

(21) Appl. No.: **29/332,084**

(22) Filed: **Feb. 8, 2009**

(30) **Foreign Application Priority Data**

Nov. 7, 2008 (CN) 2008 3 0252497

(51) **LOC (9) Cl.** **20-03**

(52) **U.S. Cl.** **D20/42**

(58) **Field of Classification Search** D20/10,
D20/19, 39, 40, 42, 99; 40/538, 541, 542,
40/546, 553, 563, 570, 572, 584, 600, 604.01;
D10/104, 109, 114; D26/72, 85; 362/20,
362/147, 230, 234, 326, 368, 559, 561, 812
See application file for complete search history.

(56) **References Cited**

U.S. PATENT DOCUMENTS

D379,373	S *	5/1997	Logan et al.	D20/10
D406,279	S *	3/1999	LaRosa et al.	D20/42
D446,818	S *	8/2001	Kim, II	D20/10
6,606,808	B2 *	8/2003	Katz	40/570
D495,750	S *	9/2004	Lee	D20/42
6,824,295	B1 *	11/2004	Grondal	362/234
D500,814	S *	1/2005	Lee	D20/42

6,848,798	B1 *	2/2005	Logan et al.	362/20
D504,705	S *	5/2005	Gregory et al.	D20/42
D548,795	S *	8/2007	Bourgeois et al.	D20/10
D549,784	S *	8/2007	Bourgeois et al.	D20/42
D550,291	S *	9/2007	Bourgeois et al.	D20/42
D578,242	S *	10/2008	Couillard et al.	D26/85
D586,860	S *	2/2009	Yu	D20/42
2001/0045035	A1 *	11/2001	Katz	40/570
2008/0276509	A1 *	11/2008	Yu	40/570
2008/0295371	A1 *	12/2008	Hsu	40/570

* cited by examiner

Primary Examiner—Mary Ann Calabrese
(74) *Attorney, Agent, or Firm*—Banger Shia

(57) **CLAIM**

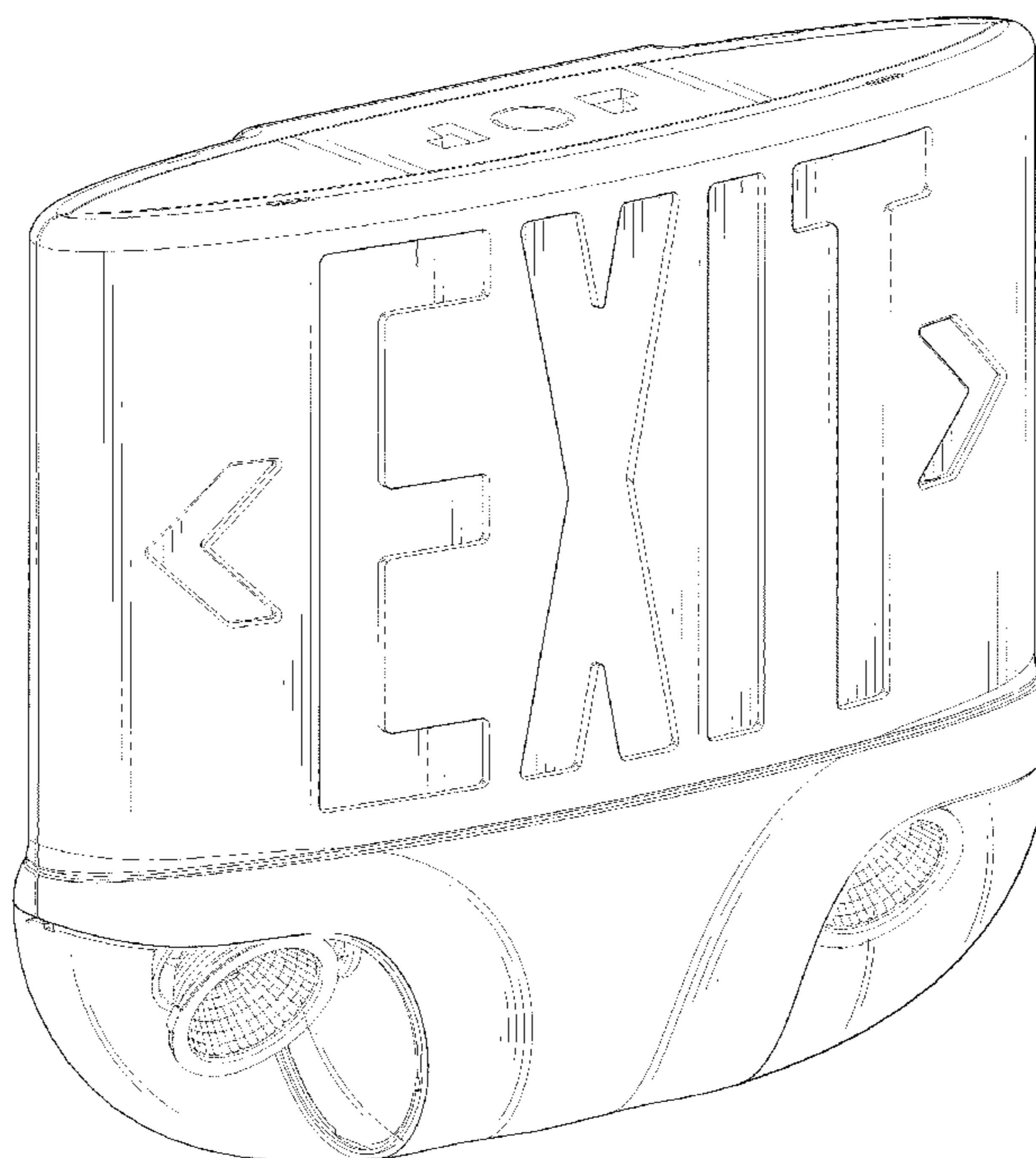
The ornamental design for a combined illuminated emergency and exit sign, as shown and described.

DESCRIPTION

FIG. 1 is a perspective view of a combined illuminated emergency and exit sign showing my new design;
FIG. 2 is a front elevational view thereof;
FIG. 3 is a rear elevational view thereof;
FIG. 4 is a left side elevational view thereof;
FIG. 5 is a right side elevational view thereof;
FIG. 6 is a top plan view thereof; and,
FIG. 7 is a bottom plan view thereof.

The broken lines shown are included for the purpose of illustrating environmental structure and form no part of the claimed design.

1 Claim, 7 Drawing Sheets



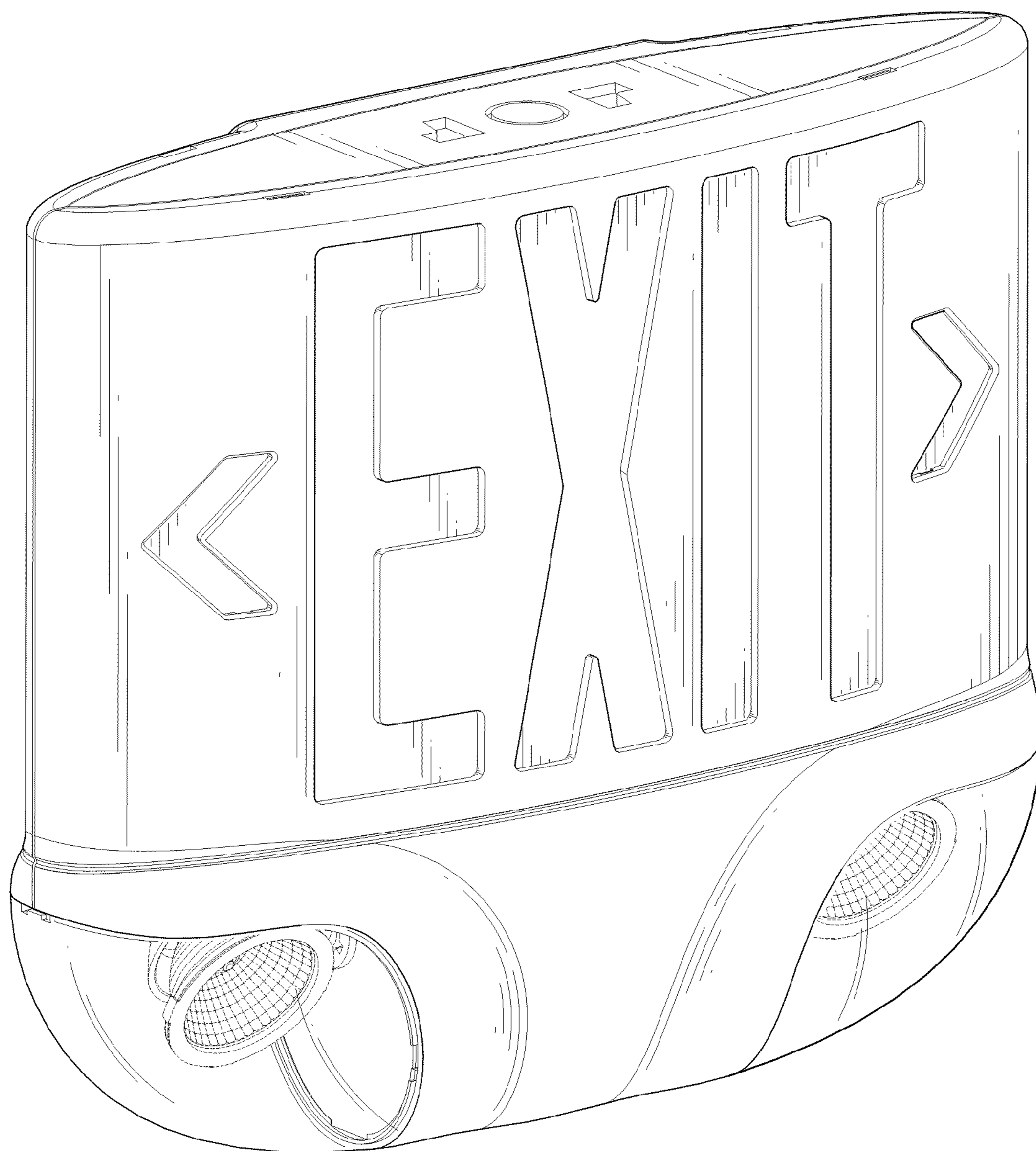


FIG. 1

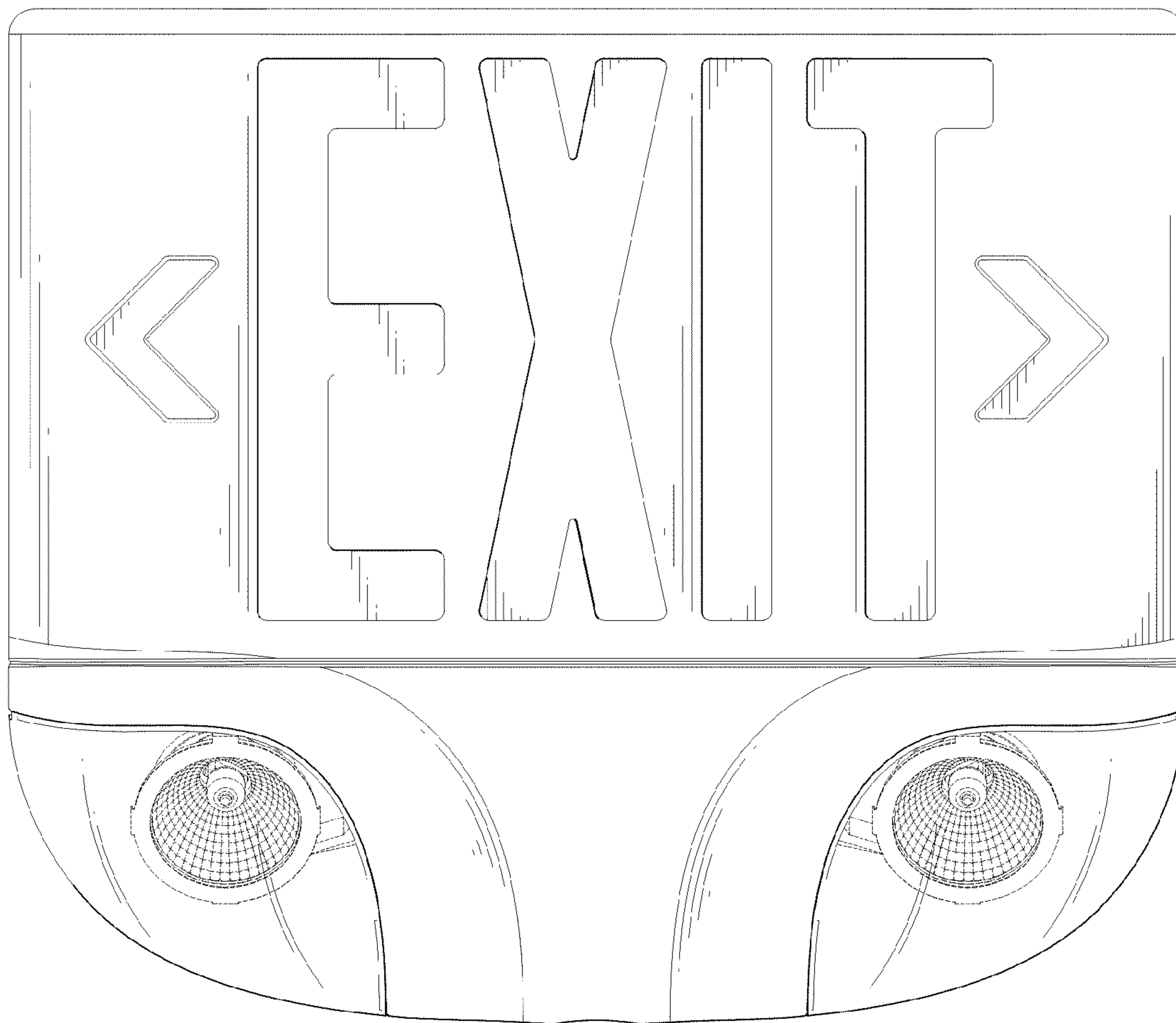


FIG. 2

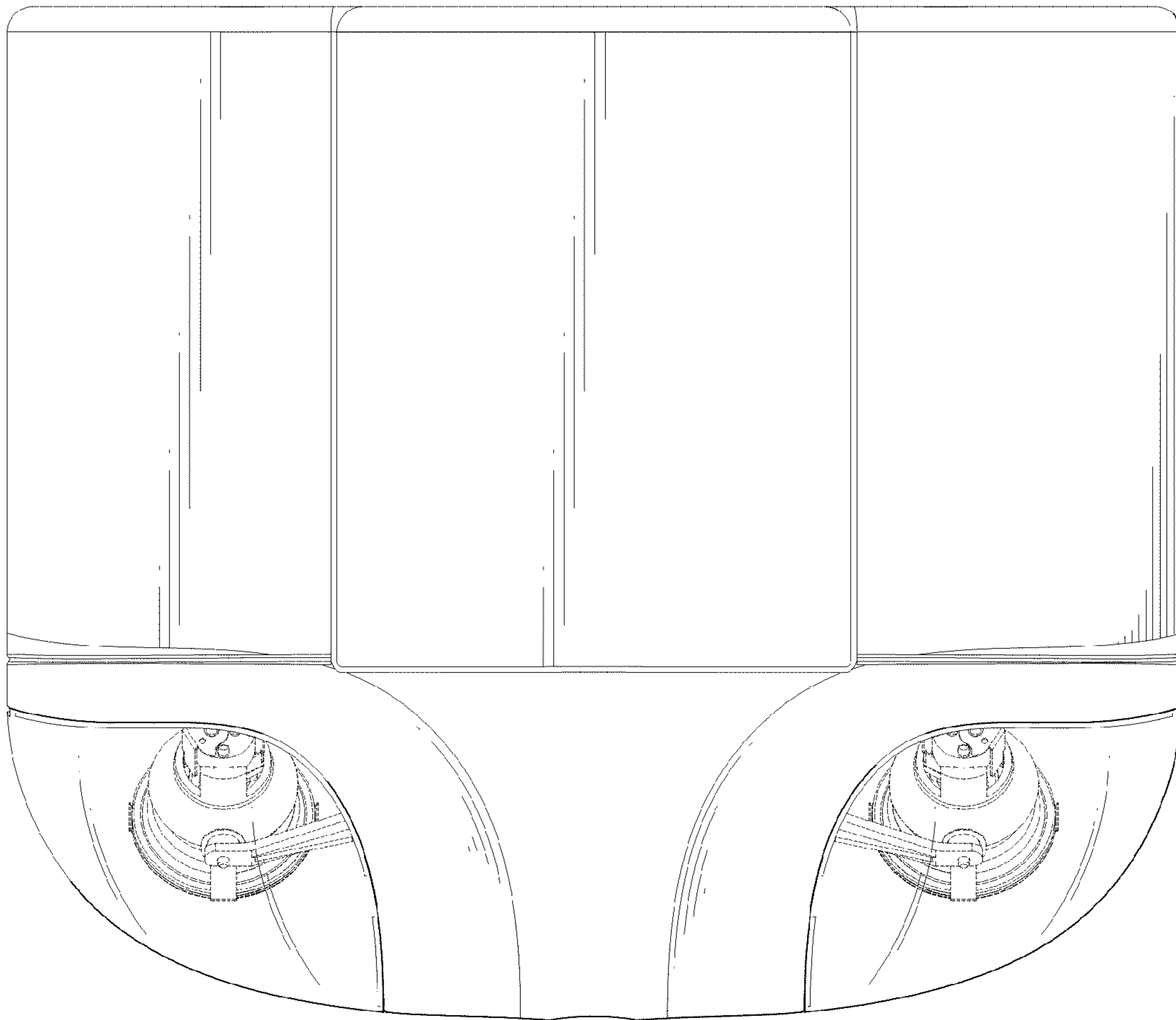


FIG. 3

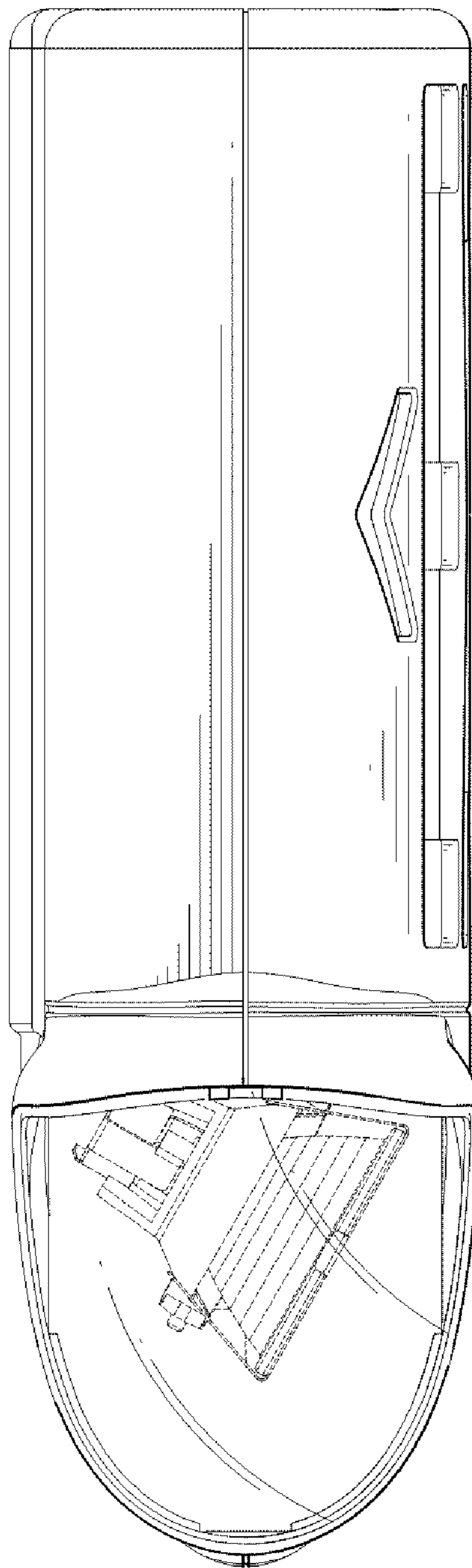


FIG. 4

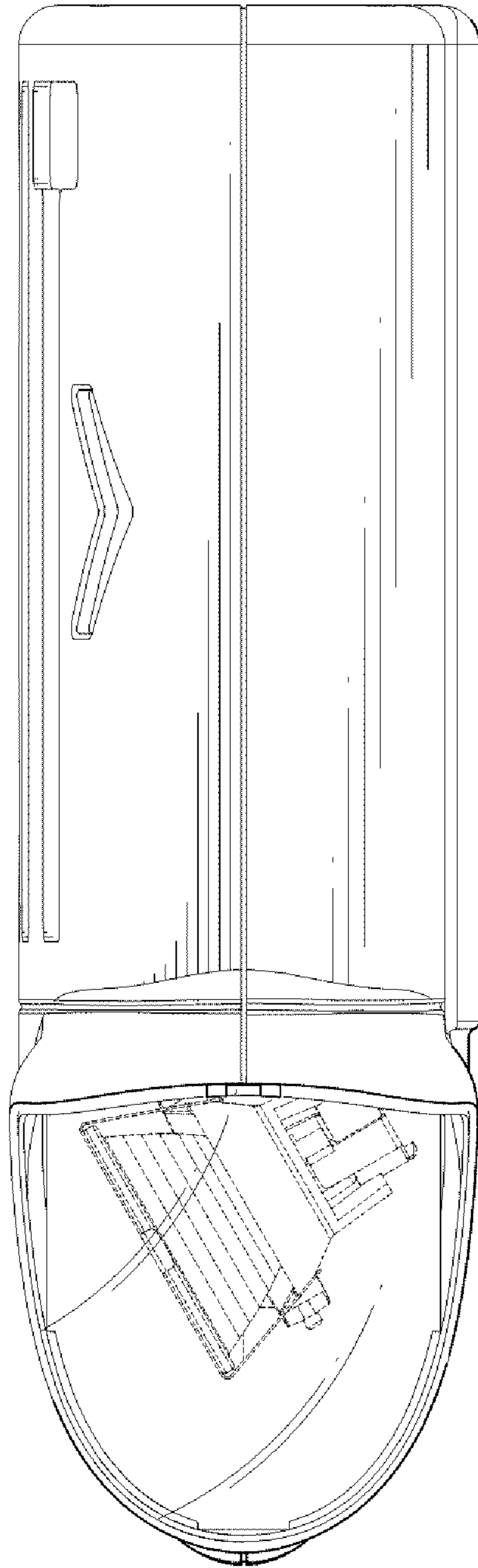


FIG. 5

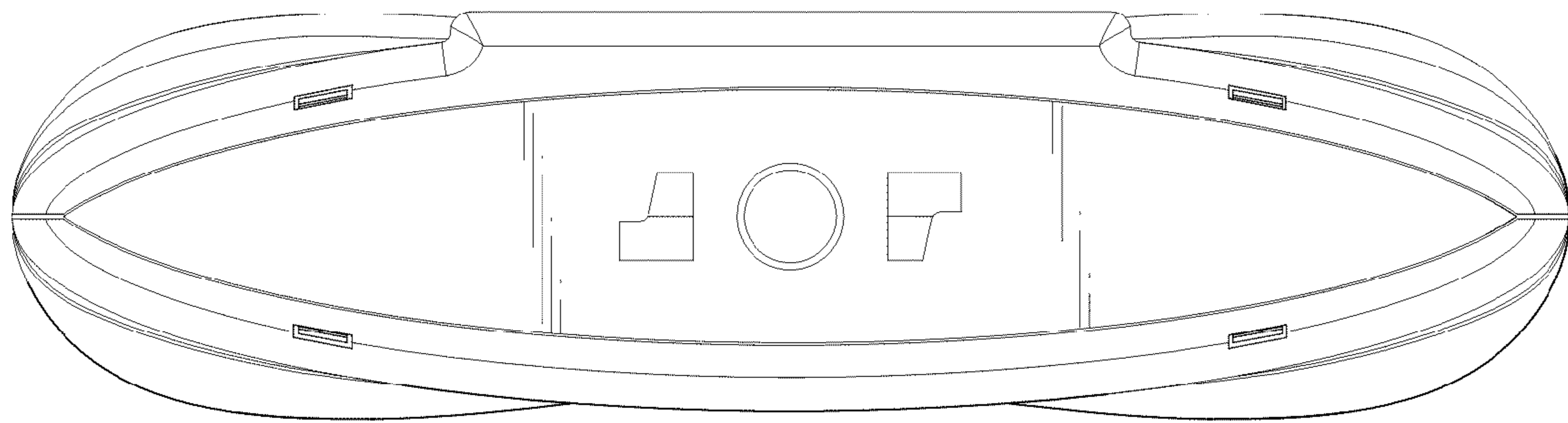


FIG. 6

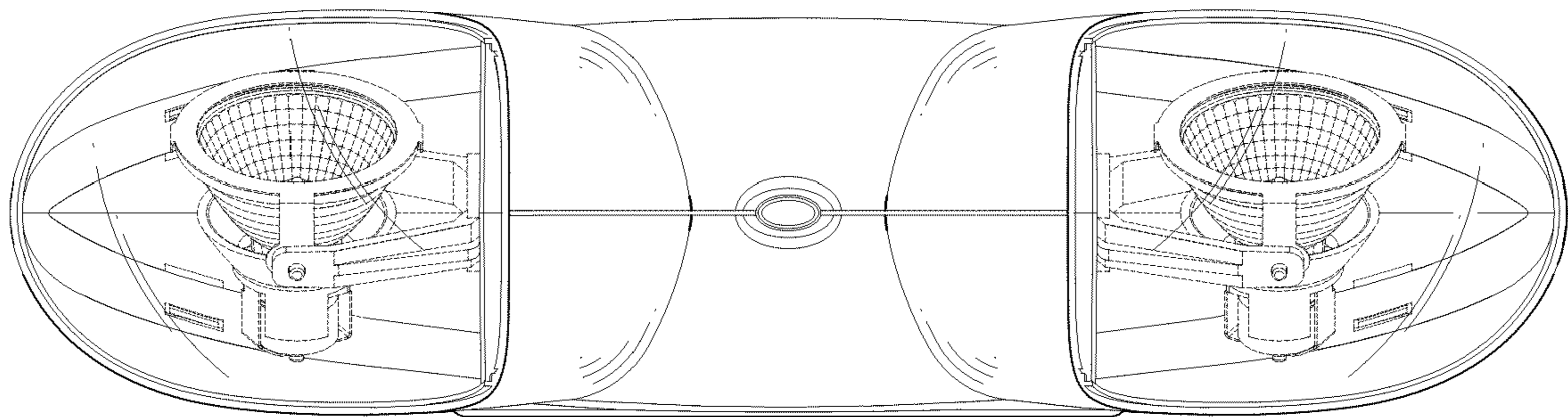


FIG. 7