



US00D623231S

(12) **United States Design Patent**
Suzuki

(10) **Patent No.:** **US D623,231 S**
(45) **Date of Patent:** **** Sep. 7, 2010**

(54) **CORRECTION TAPE DISPENSER**
(75) Inventor: **Kazuhiko Suzuki**, Kanagawa (JP)
(73) Assignee: **Tombow Pencil Co., Ltd.**, Tokyo (JP)
(**) Term: **14 Years**
(21) Appl. No.: **29/316,271**
(22) Filed: **Sep. 9, 2009**

D573,195 S * 7/2008 Rushe et al. D19/69
7,438,489 B2 * 10/2008 Fujii 400/697
7,654,297 B2 * 2/2010 Wu 156/577
2009/0185848 A1 * 7/2009 Ushijima 400/697

* cited by examiner

Primary Examiner—Cathron C Brooks
Assistant Examiner—Austin Murphy
(74) *Attorney, Agent, or Firm*—Edwards Angell Palmer & Dodge LLP; Scott D. Wofsy

(30) **Foreign Application Priority Data**
Mar. 13, 2009 (JP) 2009-005621

(57) **CLAIM**

The ornamental design for a correction tape dispenser, as is shown and described.

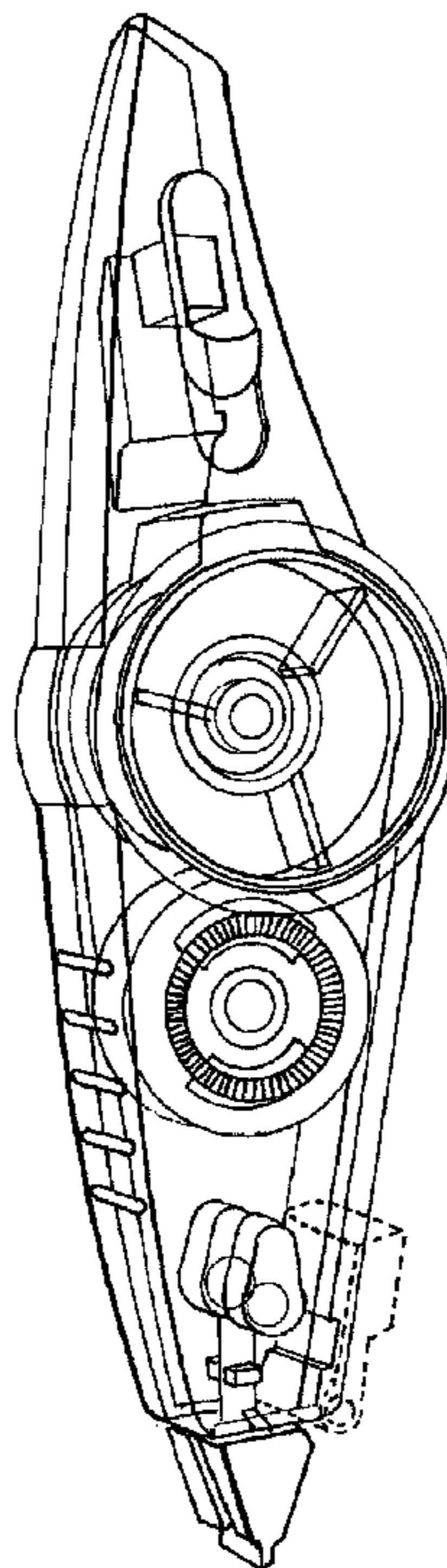
(51) **LOC (9) Cl.** **19-02**
(52) **U.S. Cl.** **D19/69**
(58) **Field of Classification Search** D19/66,
D19/67, 68, 69, 70; 156/523, 257, 540, 577;
206/411; 225/6, 25, 39, 77; 242/588, 588.1,
242/588.2, 588.3, 588.6, 5
See application file for complete search history.

DESCRIPTION

FIG. 1 is a perspective view of the correction tape dispenser; FIG. 2 is a front view of the correction tape dispenser; FIG. 3 is a rear view of the correction tape dispenser; FIG. 4 is a right side view of the correction tape dispenser; FIG. 5 is a left side view of the correction tape dispenser; FIG. 6 is a top view of the correction tape dispenser; FIG. 7 is a bottom view of the correction tape dispenser; and, FIG. 8 is a front view of the correction tape dispenser showing the cover element as disclaimed and in a closed position. The broken lines shown in the drawings represent unclaimed portions of the correction tape dispenser and form no part of the claimed design.

(56) **References Cited**
U.S. PATENT DOCUMENTS
D378,532 S * 3/1997 Suzuki D19/69
5,772,840 A * 6/1998 Morinaga 156/540
D467,617 S * 12/2002 Soetewey D19/69
D475,747 S * 6/2003 Ono D19/69
D492,352 S * 6/2004 Lammers et al. D19/68
D506,508 S * 6/2005 Shimizu et al. D19/69
D520,062 S * 5/2006 Kimura D19/69
D532,457 S * 11/2006 Chen D19/69
D571,403 S * 6/2008 Rolion et al. D19/69

1 Claim, 8 Drawing Sheets



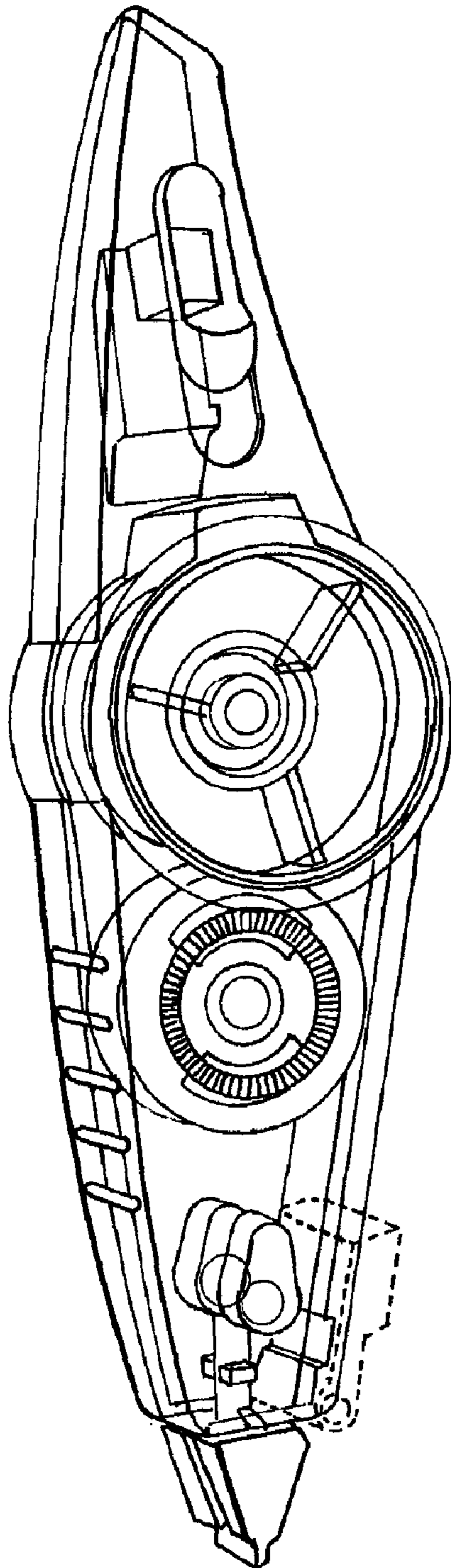


Fig. 1

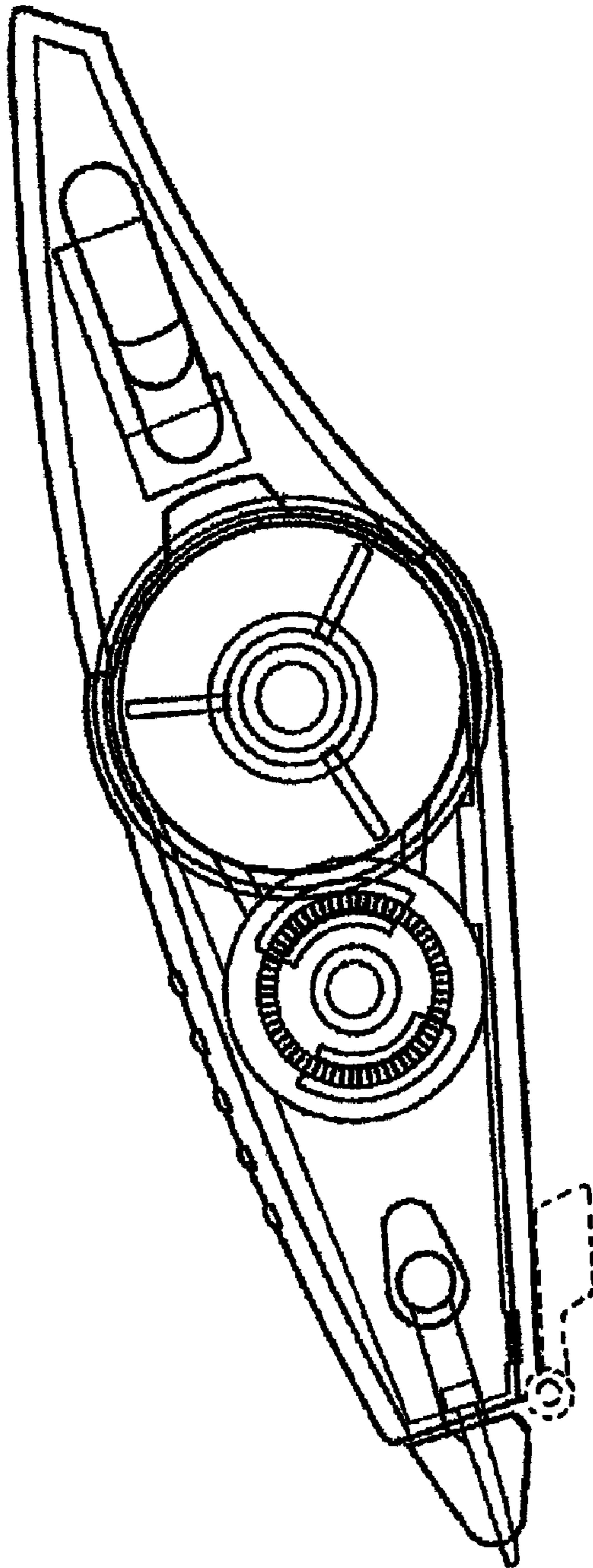


Fig. 2

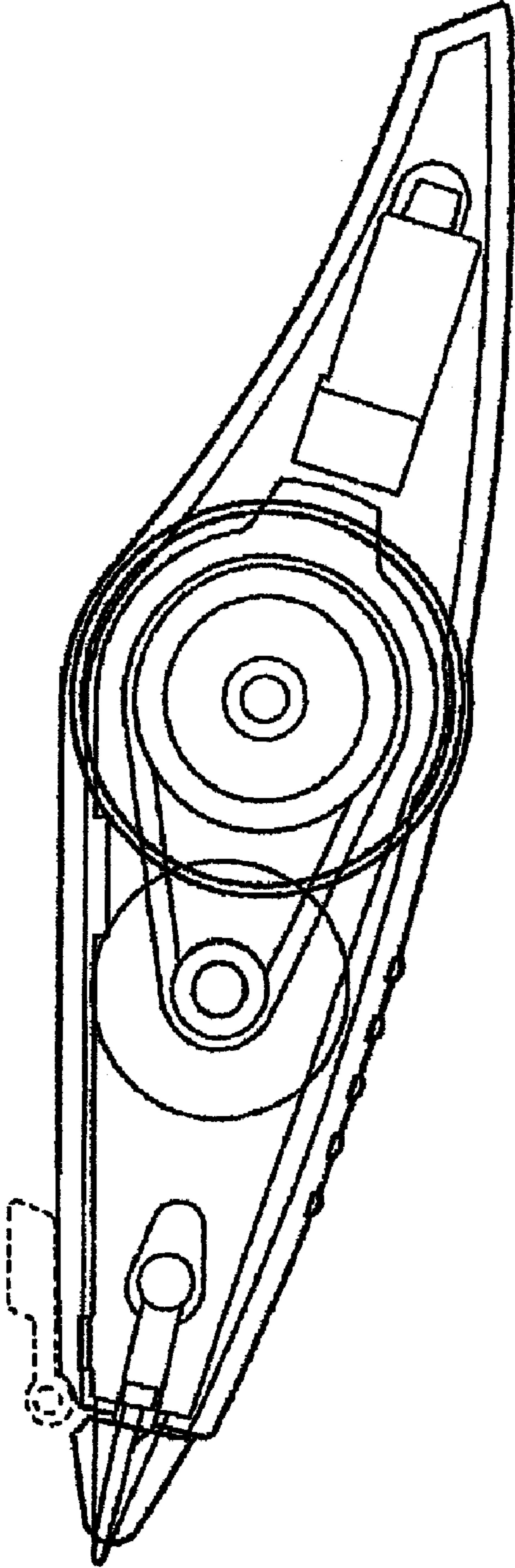


Fig. 3

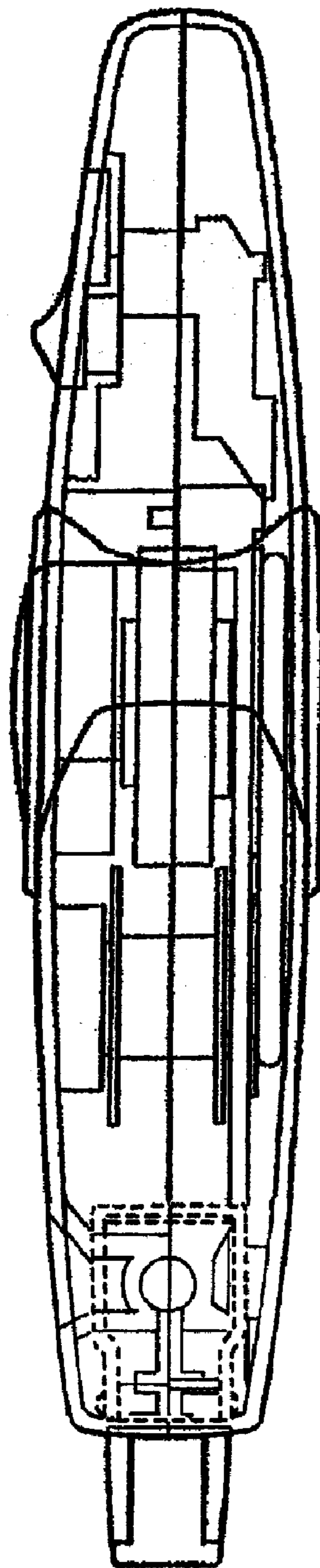


Fig. 4

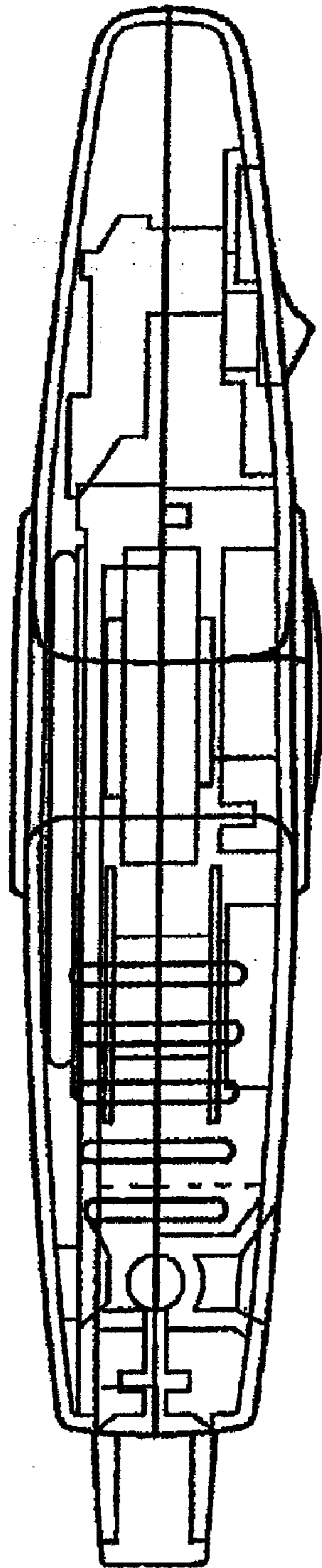


Fig. 5

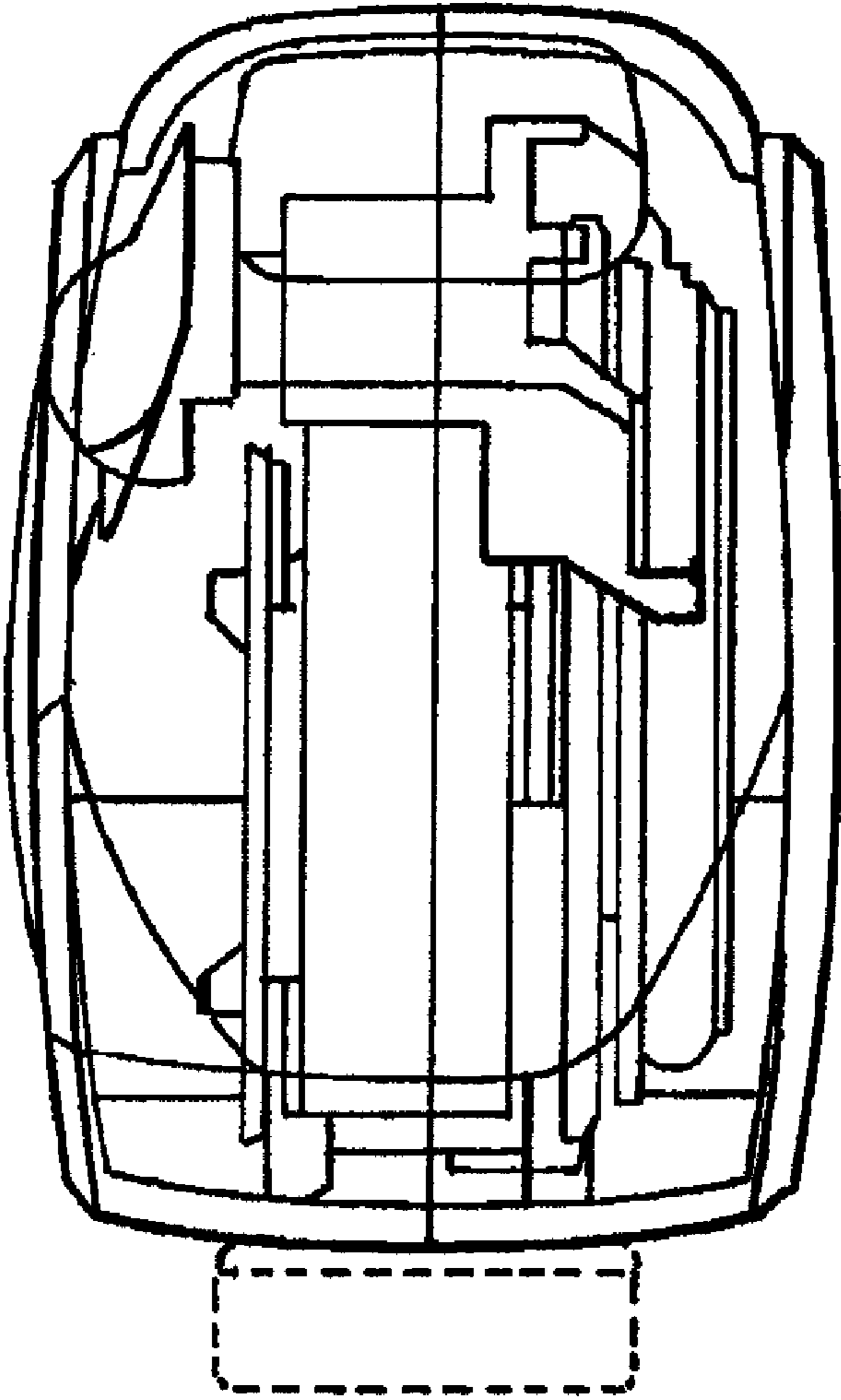


Fig. 6

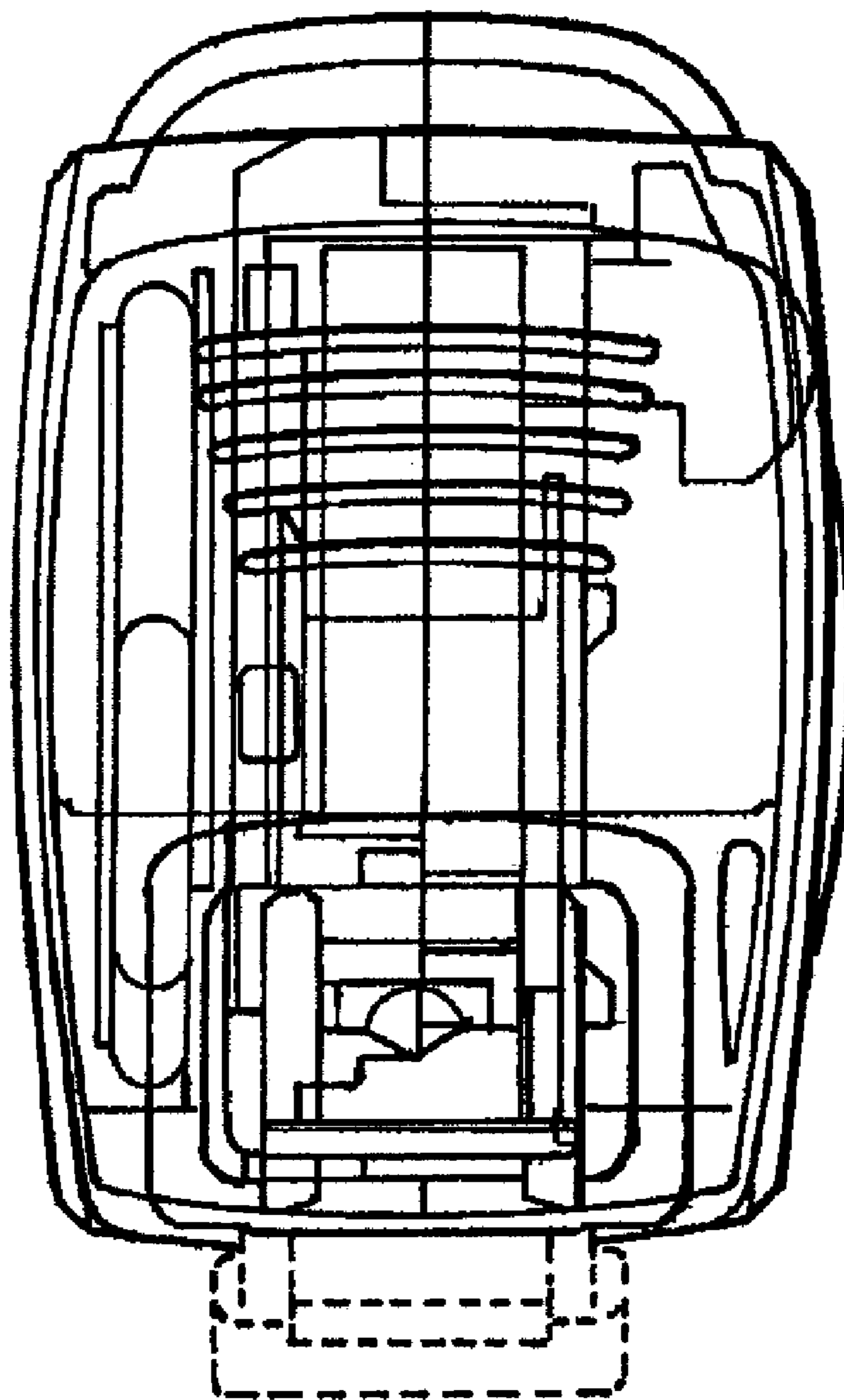


Fig. 7

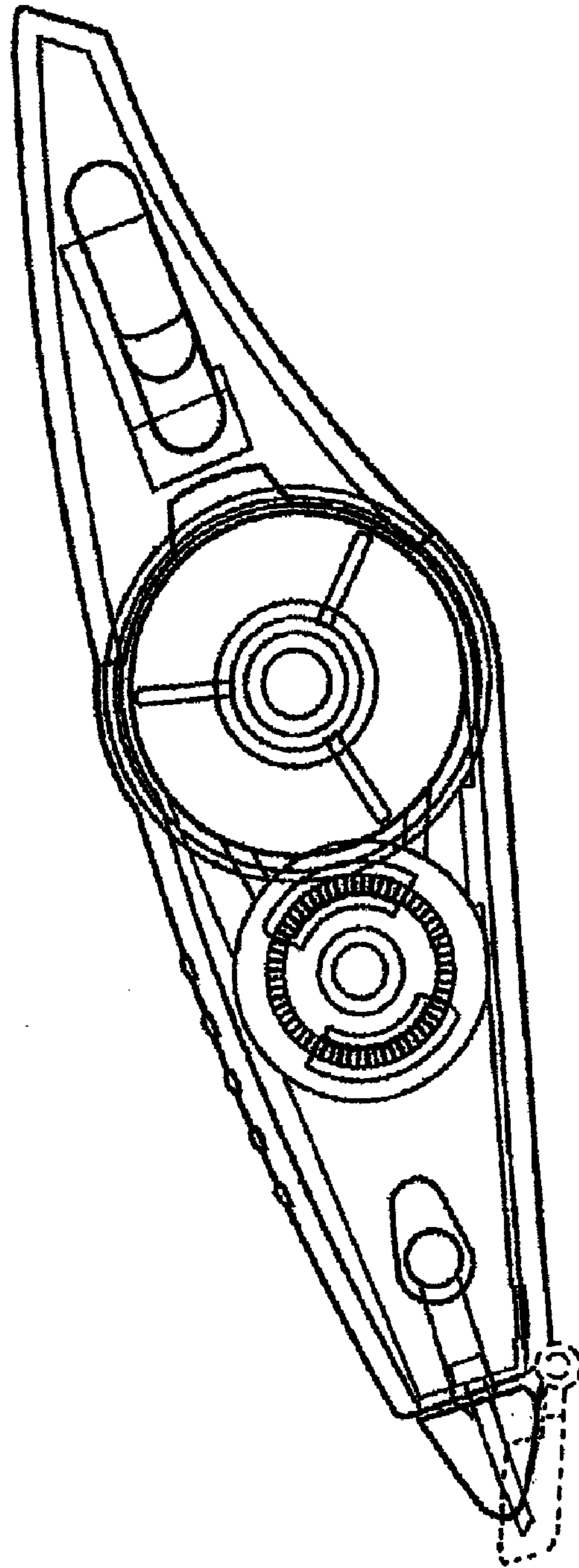


Fig. 8