



US00D623229S

(12) **United States Design Patent**
Ray

(10) **Patent No.:** **US D623,229 S**
(45) **Date of Patent:** **** Sep. 7, 2010**

(54) **PAPER CLIP**

(76) Inventor: **Jerry L. Ray**, 18314 Running Vine La.,
Spring, TX (US) 77379

(**) Term: **14 Years**

(21) Appl. No.: **29/354,393**

(22) Filed: **Jan. 22, 2010**

(51) **LOC (9) Cl.** **19-02**

(52) **U.S. Cl.** **D19/65**

(58) **Field of Classification Search** D19/65,
D19/86; D28/40, 92; D11/78.1, 157; 24/67.3,
24/67.9, 326, 552, 547, 3.7; 248/302; D20/27;
206/0.81; D9/434, 443, 435; D8/394-396;
D3/249

See application file for complete search history.

(56) **References Cited**

U.S. PATENT DOCUMENTS

751,531	A *	2/1904	Mayers	24/547
1,778,428	A	10/1930	Morehouse		
2,051,174	A	8/1936	Levigard		
2,447,996	A *	8/1948	Biagi	24/336
3,596,757	A *	8/1971	Cocchiaraley	206/0.81
D242,818	S *	12/1976	Wood	D99/27
4,480,356	A	11/1984	Martin		
D283,715	S *	5/1986	Kayen et al.	D20/27
D293,337	S	12/1987	Burgdorf		
D332,220	S *	1/1993	Specht et al.	D9/434
5,214,825	A *	6/1993	Hirzel	24/67.9
D344,545	S *	2/1994	Tsai	D19/65

D355,931	S *	2/1995	Levi	D19/65
D356,116	S	3/1995	Lorber		
5,406,680	A *	4/1995	Silverberg	24/67.9
D371,390	S	7/1996	Johnson		
D383,785	S	9/1997	Shyu		
5,839,167	A *	11/1998	Wagner	24/3.7
6,088,889	A *	7/2000	Luther et al.	24/489
D458,307	S	6/2002	Halstead		
D479,558	S *	9/2003	Lorber	D19/65
D528,038	S *	9/2006	Cavness	D11/157
D551,297	S	9/2007	Gram		
D557,339	S	12/2007	Dunn-Rankin		
D590,885	S *	4/2009	Love	D19/65
2006/0107496	A1	5/2006	Cheng		

* cited by examiner

Primary Examiner—Austin Murphy
(74) *Attorney, Agent, or Firm*—Kenneth A. Roddy

(57) **CLAIM**

The ornamental design for a paper clip, as shown and described.

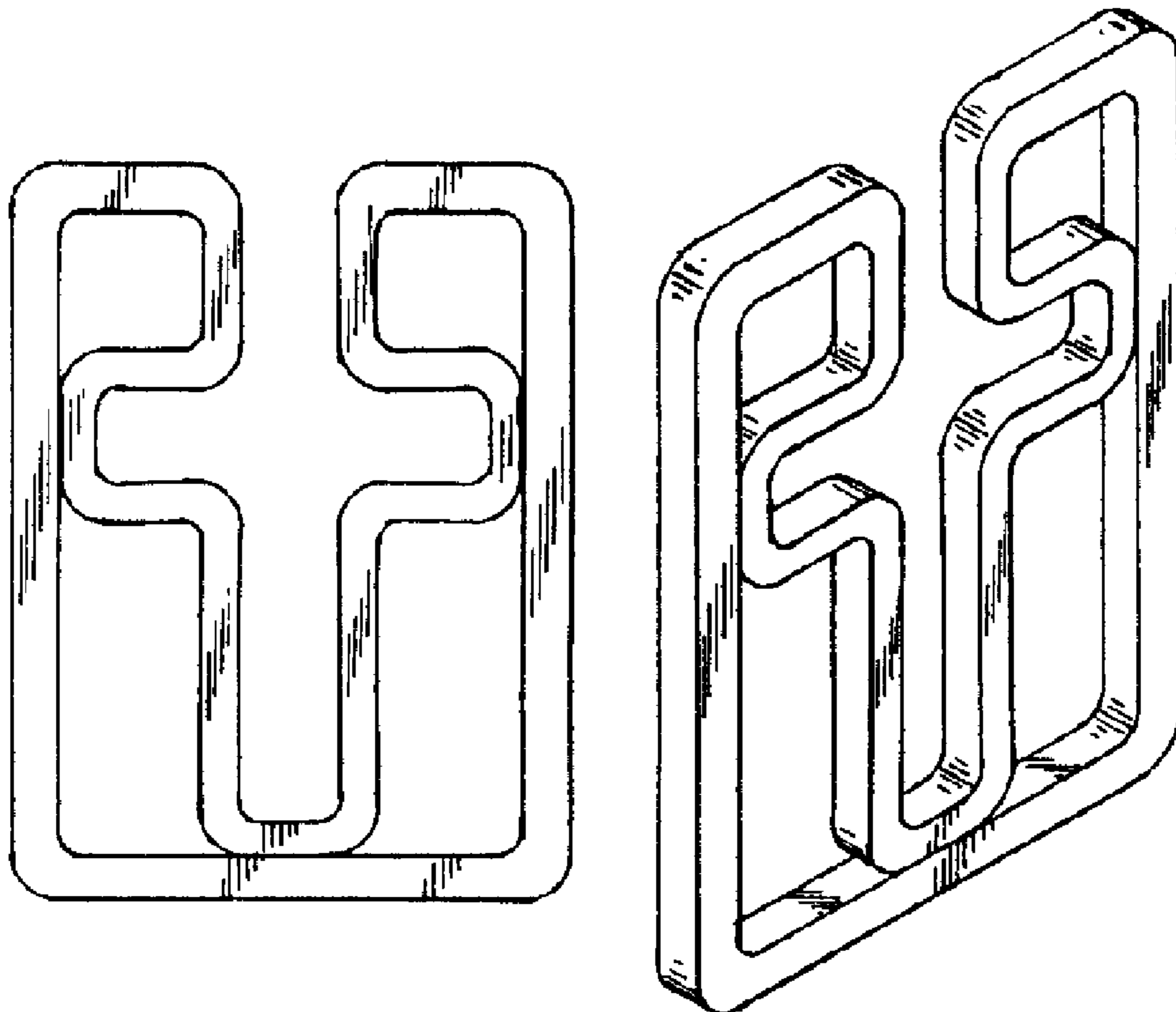
DESCRIPTION

FIG. 1 is a front elevation view of a paper clip showing my new design;

FIG. 2 is a perspective view thereof, showing my new design from the top, front and side; and,

FIG. 3 is a perspective view thereof as seen from the bottom, rear and side opposite of the side shown in FIG. 2.

1 Claim, 1 Drawing Sheet



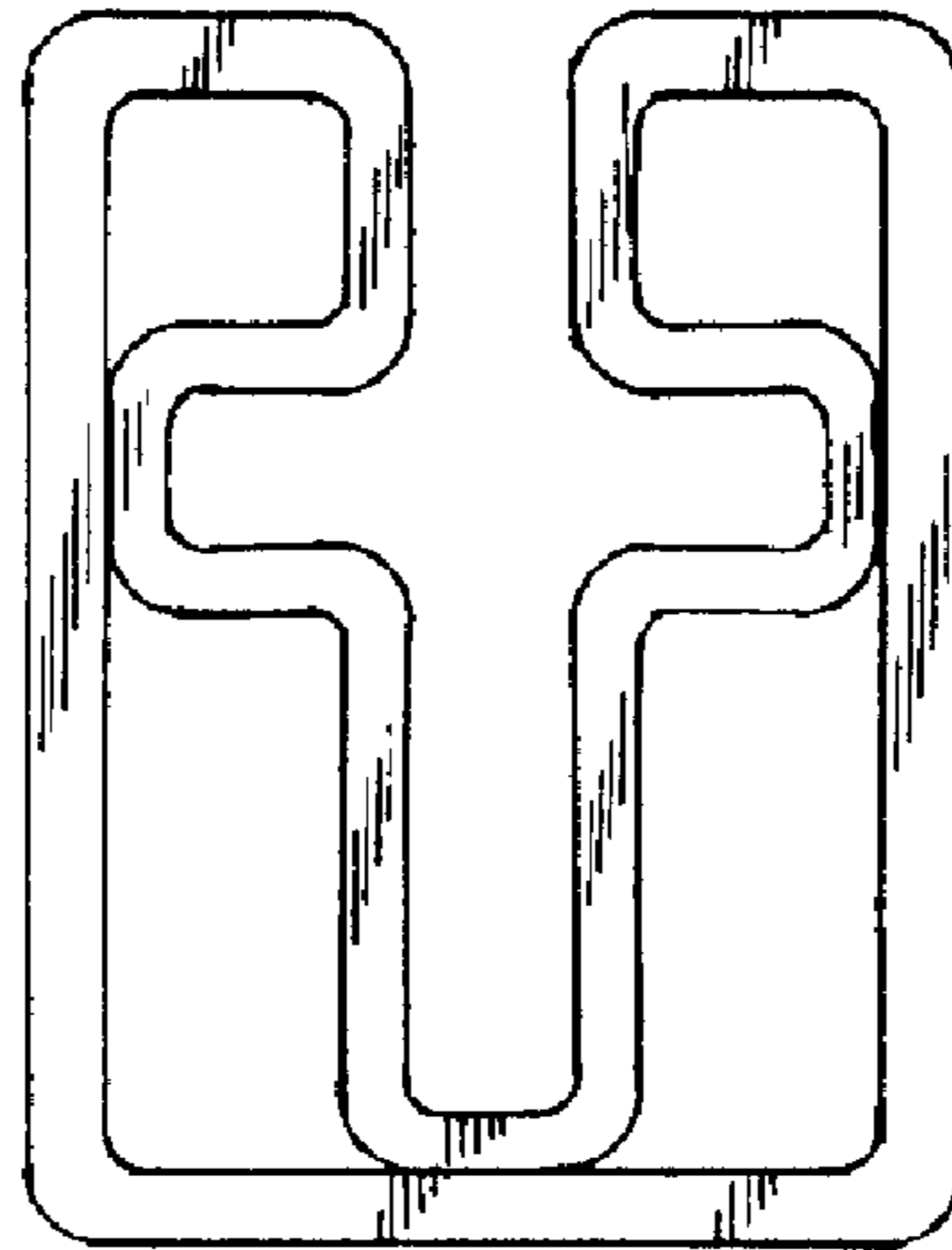


Fig. 1

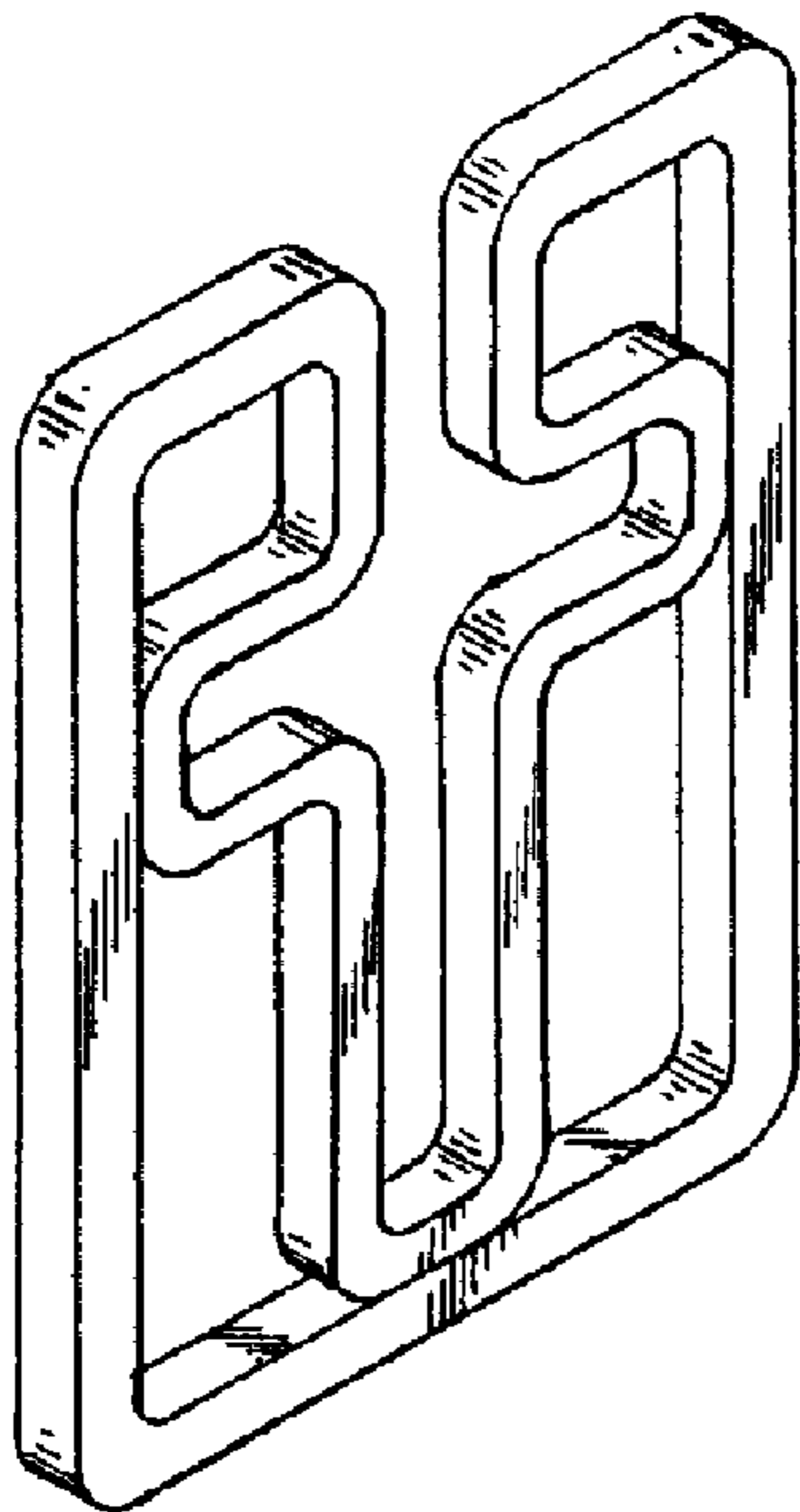


Fig. 2

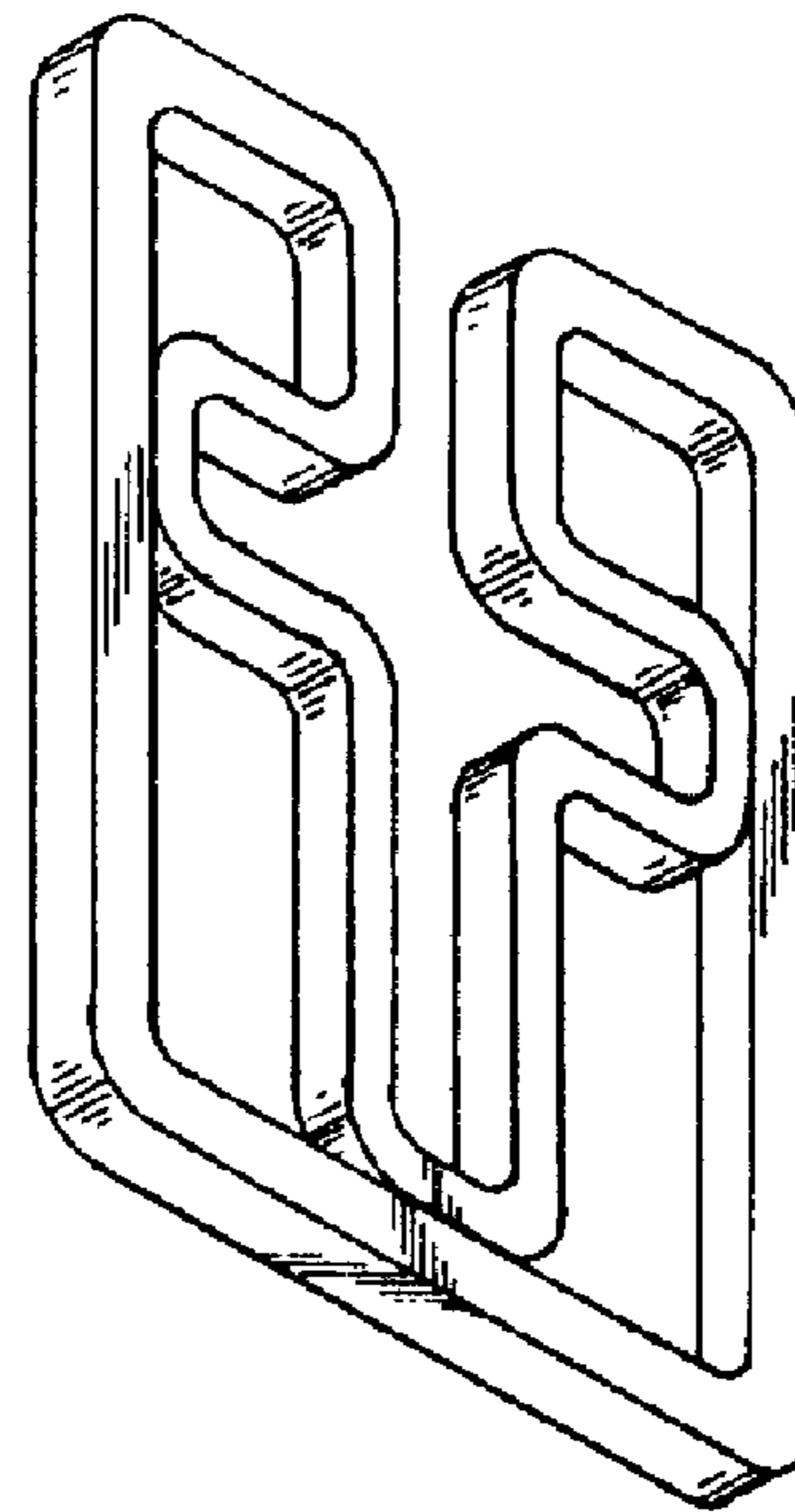


Fig. 3