



US00D623225S

(12) **United States Design Patent**
Ryan

(10) **Patent No.:** **US D623,225 S**

(45) **Date of Patent:** **** Sep. 7, 2010**

- (54) **PEN**
- (75) **Inventor:** **Steven T. Ryan**, Westminster, CA (US)
- (73) **Assignee:** **SureFire, LLC**, Fountain Valley, CA (US)
- (**) **Term:** **14 Years**
- (21) **Appl. No.:** **29/338,244**
- (22) **Filed:** **Jun. 8, 2009**

- (51) **LOC (9) Cl.** **19-06**
- (52) **U.S. Cl.** **D19/48**
- (58) **Field of Classification Search** D19/35, D19/36, 41-51, 53-57; 24/11 F, 11 P, 11 R; 401/52, 99, 100, 104-109, 192, 195, 196
See application file for complete search history.

(56) **References Cited**
U.S. PATENT DOCUMENTS

2,129,051	A	*	9/1938	Eastley	401/19
D179,449	S	*	12/1956	Harper et al.	D19/48
D360,223	S	*	7/1995	Lamber	D19/55
D372,497	S	*	8/1996	Lamber	D19/48
D389,862	S	*	1/1998	Imagawa	D19/43
D389,867	S	*	1/1998	Togawa	D19/55
D421,626	S	*	3/2000	Brock	D19/55
D439,336	S	*	3/2001	Najmi	D24/142
D443,303	S	*	6/2001	Ashe	D19/48
D465,808	S	*	11/2002	Deluca et al.	D19/48
D490,151	S	*	5/2004	Hawley et al.	D24/114
D492,173	S	*	6/2004	Huang	D8/48
D506,506	S	*	6/2005	Qiu	D19/50
D540,381	S	*	4/2007	Qiu	D19/43
D540,382	S	*	4/2007	Qiu	D19/43
D541,859	S	*	5/2007	Stollery et al.	D19/48

D546,881	S	*	7/2007	Qiu	D19/50
D547,800	S	*	7/2007	Gallay et al.	D19/41
D557,741	S	*	12/2007	Lecce	D19/48
D565,653	S	*	4/2008	Freed et al.	D19/36
D566,360	S	*	4/2008	Ungaro	D32/35
D572,754	S	*	7/2008	Li	D19/43
D572,761	S	*	7/2008	Zhang	D19/50
D573,183	S	*	7/2008	Qiu et al.	D19/36
D585,937	S	*	2/2009	Dhesse et al.	D19/48
D589,090	S	*	3/2009	Dhesse et al.	D19/55
D596,235	S	*	7/2009	Tsai	D19/57
D600,281	S	*	9/2009	Delancourt	D19/48

* cited by examiner

Primary Examiner—Elizabeth A Albert
(74) *Attorney, Agent, or Firm*—Haynes and Boone, LLP

(57) **CLAIM**

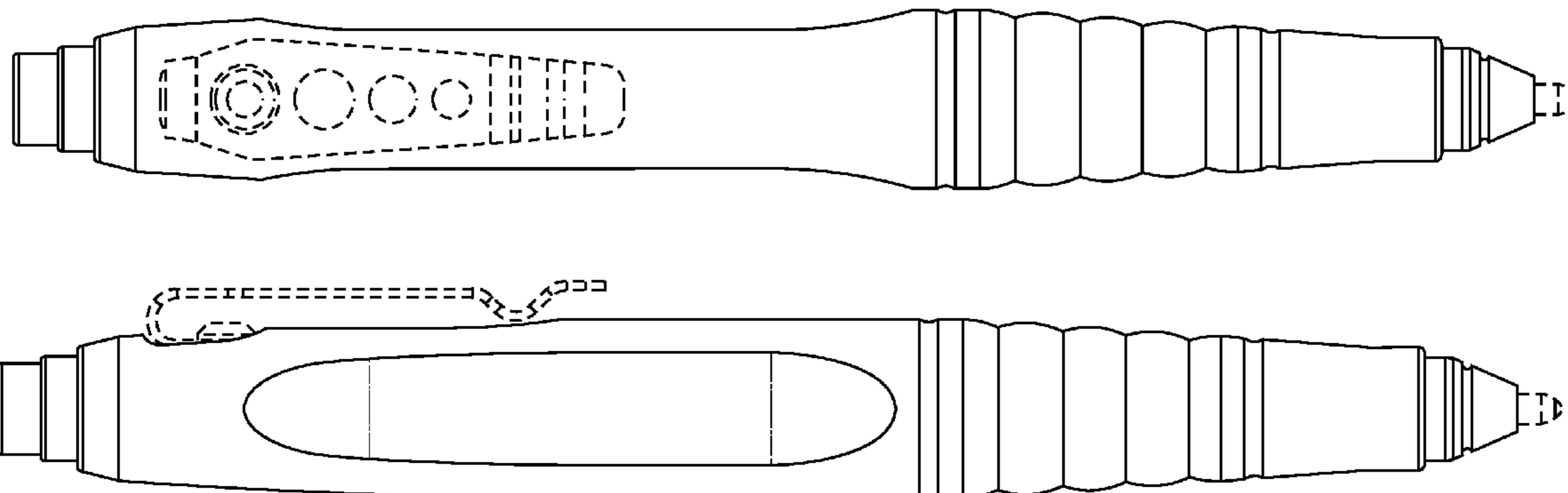
The ornamental design for a pen, as shown and described.

DESCRIPTION

FIG. 1 is a front perspective view of a pen showing my new design;
 FIG. 2 is a rear perspective view thereof;
 FIG. 3 is a top plan view thereof;
 FIG. 4 is a bottom plan view thereof;
 FIG. 5 is a left side elevational view thereof;
 FIG. 6 is a right side elevational view thereof;
 FIG. 7 is a front side elevational view thereof; and,
 FIG. 8 is a rear side elevational view thereof.

The broken lines in the drawings are shown for the purpose of illustrating environmental matter and form no part of the claimed design.

1 Claim, 5 Drawing Sheets



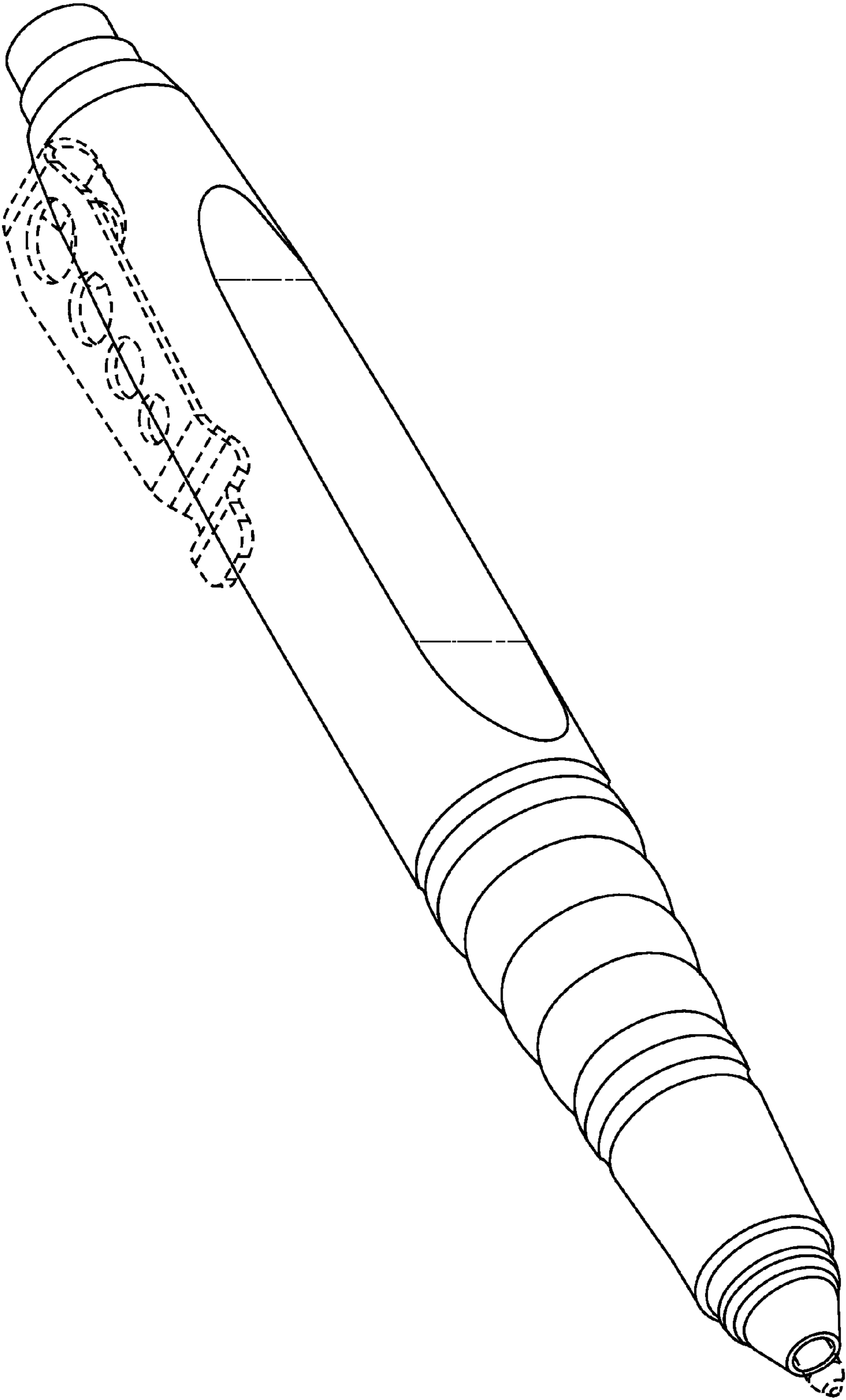


FIG. 1

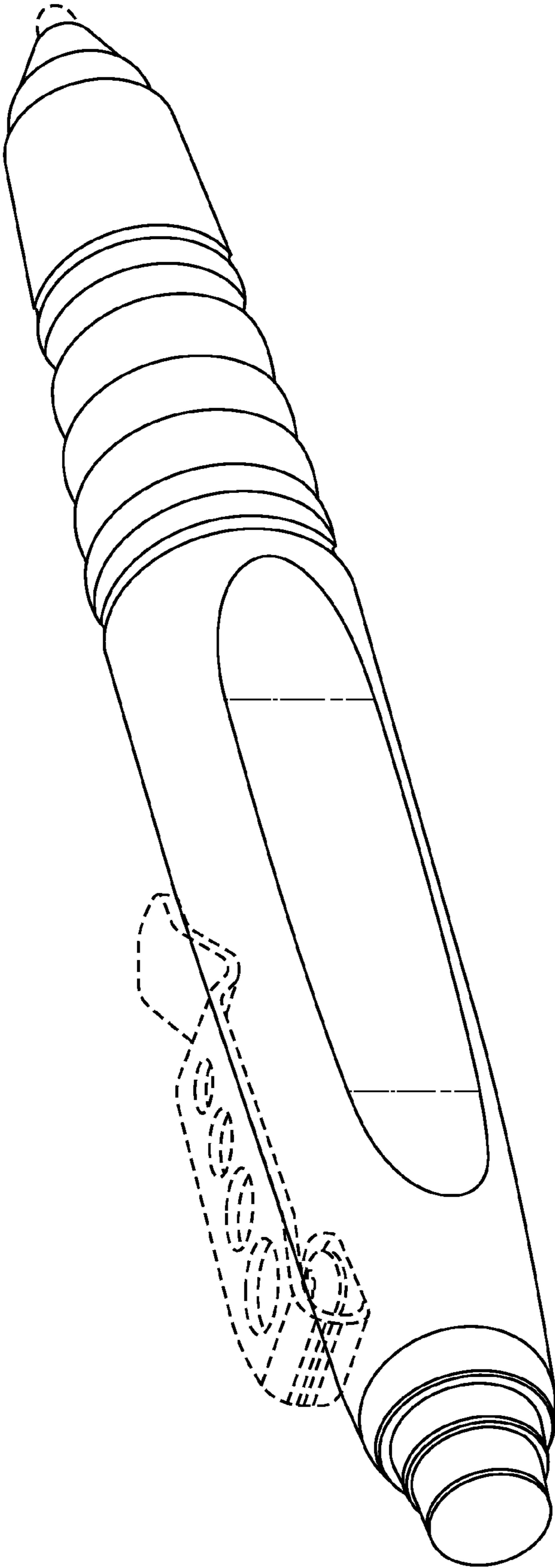


FIG. 2

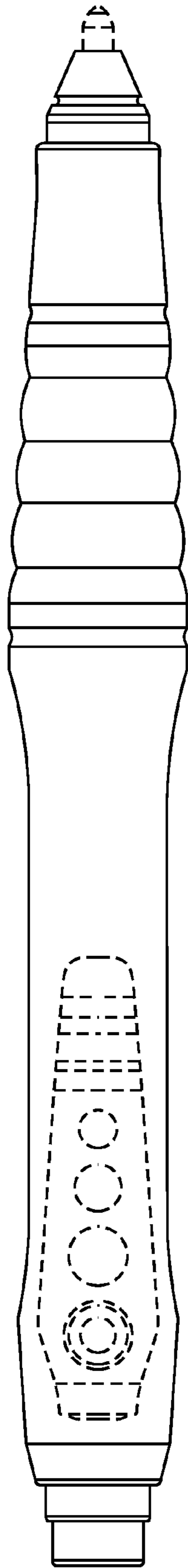


FIG. 3

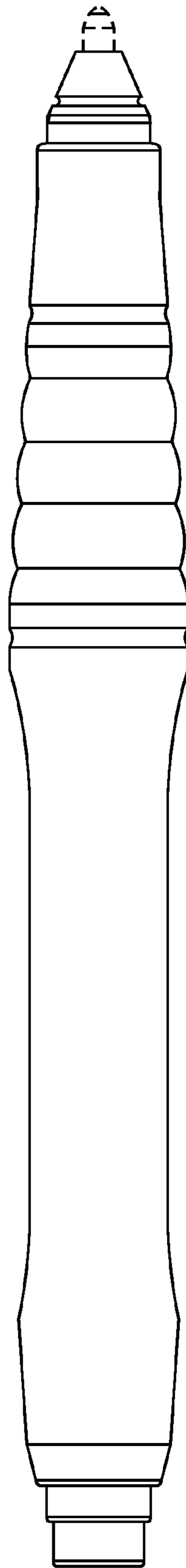


FIG. 4

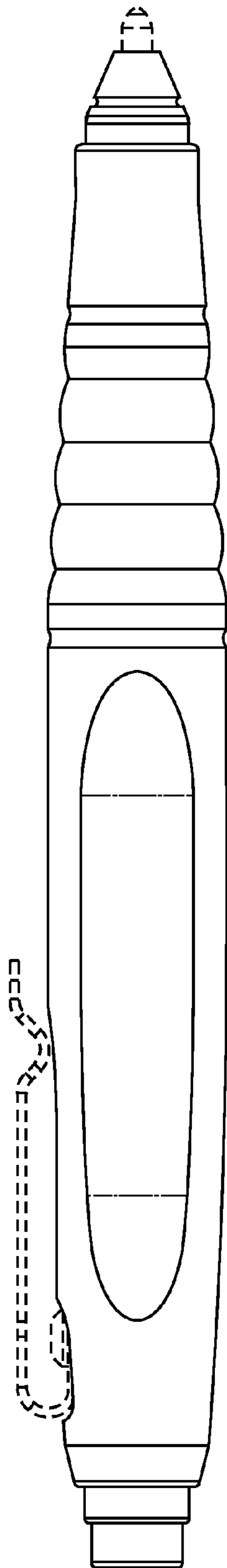


FIG. 5

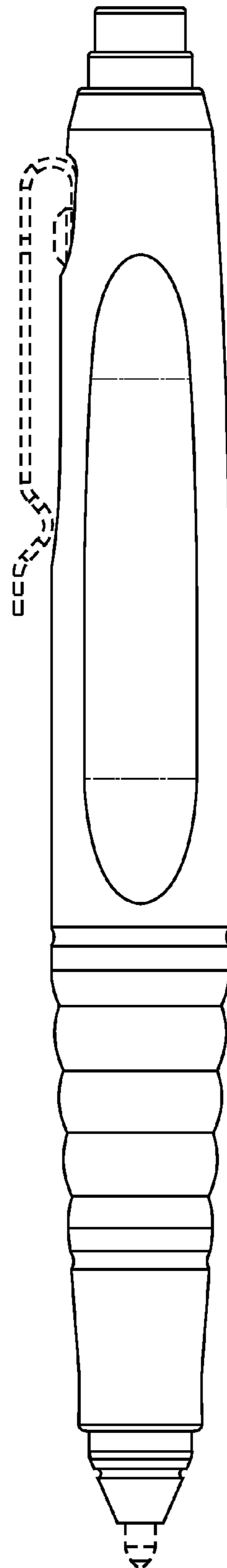


FIG. 6

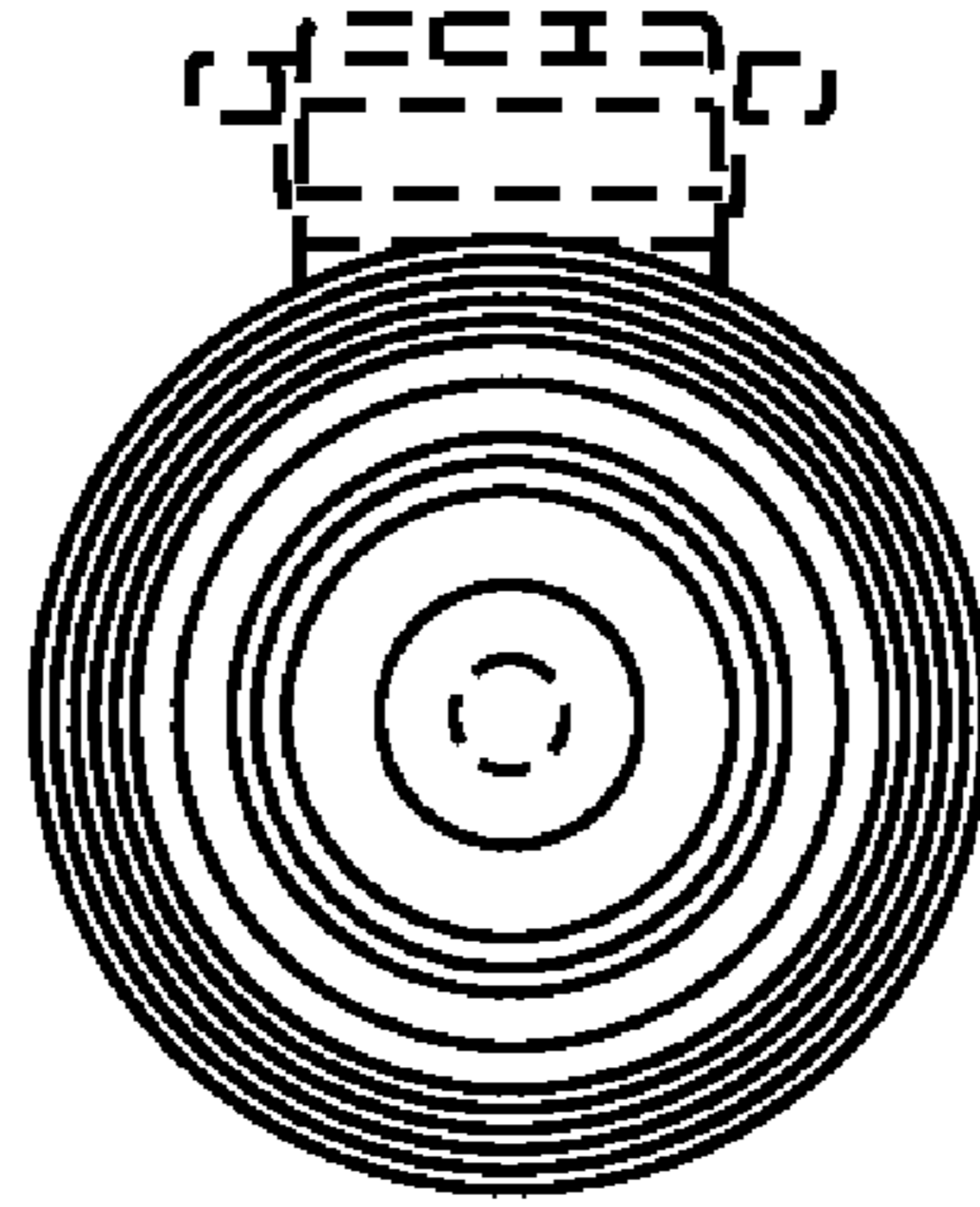


FIG. 7

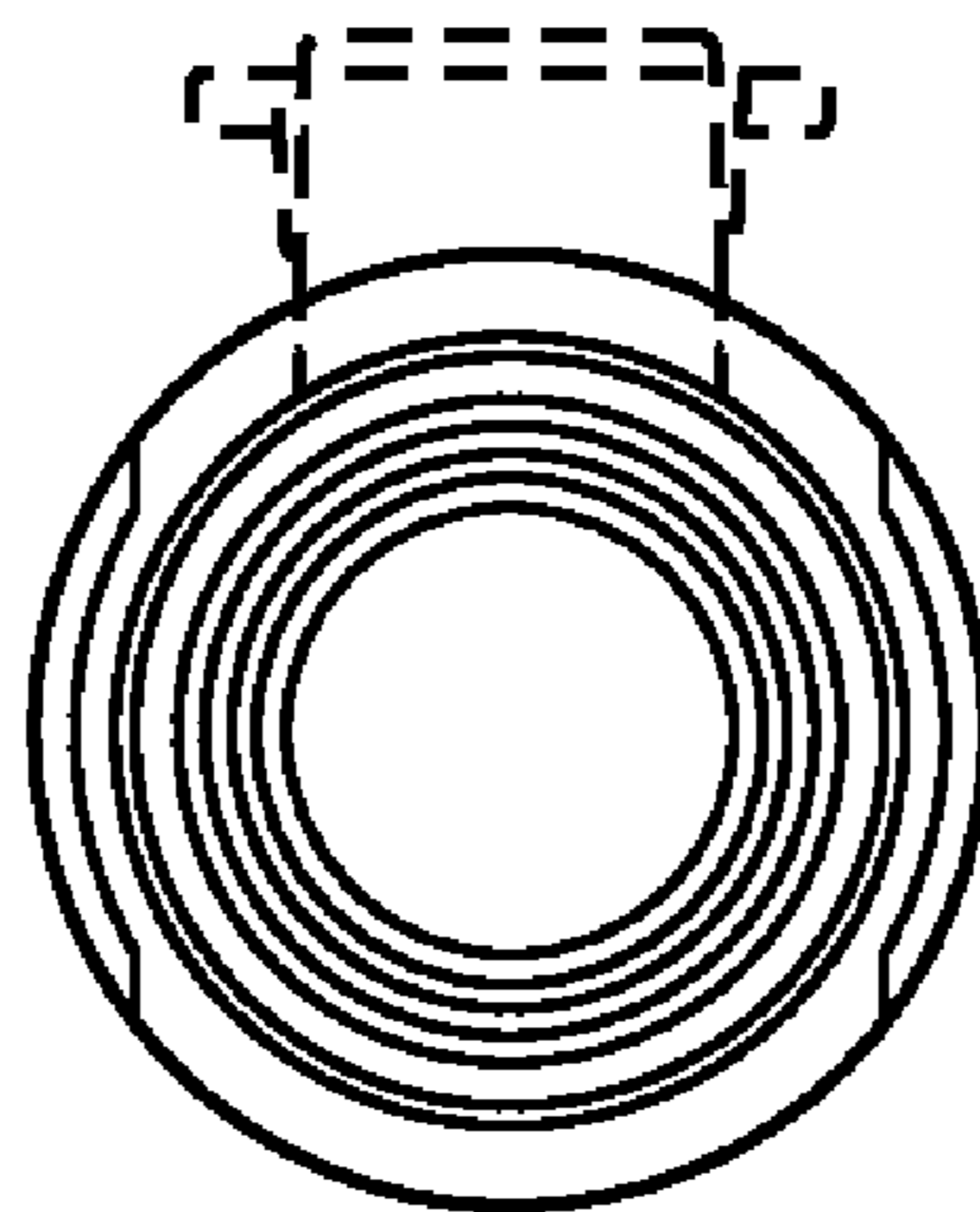


FIG. 8