



US00D623221S

(12) **United States Design Patent**  
**Yonekawa et al.**

(10) **Patent No.:** **US D623,221 S**

(45) **Date of Patent:** **\*\* \*Sep. 7, 2010**

(54) **INKJET PRINTER**

(75) Inventors: **Masahiro Yonekawa**, Tokyo (JP);  
**Masato Suzuki**, Saitama (JP); **Ryota Yano**, Kanagawa (JP)

(73) Assignee: **Ricoh Company, Ltd.**, Tokyo (JP)

(\*\*) Term: **14 Years**

(21) Appl. No.: **29/303,982**

(22) Filed: **Feb. 21, 2008**

(30) **Foreign Application Priority Data**

Aug. 23, 2007 (JP) ..... 2007-022733

(51) **LOC (9) Cl.** ..... **14-02**

(52) **U.S. Cl.** ..... **D18/55**

(58) **Field of Classification Search** ..... D18/36-39,  
D18/19, 50, 54, 54.1, 55; D14/420-425,  
D14/463-470; 400/613, 613.1-613.4, 690.1-690.4,  
400/691-694

See application file for complete search history.

(56) **References Cited**

**U.S. PATENT DOCUMENTS**

D522,045 S \* 5/2006 Lee et al. .... D18/55

D537,477 S \* 2/2007 Lim et al. .... D18/55

D538,334 S \* 3/2007 Lee et al. .... D18/55

D566,170 S \* 4/2008 Yonekawa et al. .... D18/55

D566,757 S \* 4/2008 Yonekawa et al. .... D18/55

\* cited by examiner

*Primary Examiner*—Cathy Anne MacCormac

(74) *Attorney, Agent, or Firm*—Dickstein Shapiro LLP

(57) **CLAIM**

The ornamental design for an inkjet printer, as shown and described.

**DESCRIPTION**

FIG. 1 is a front elevation of an inkjet printer according to the present invention;

FIG. 2 is a rear elevation thereof;

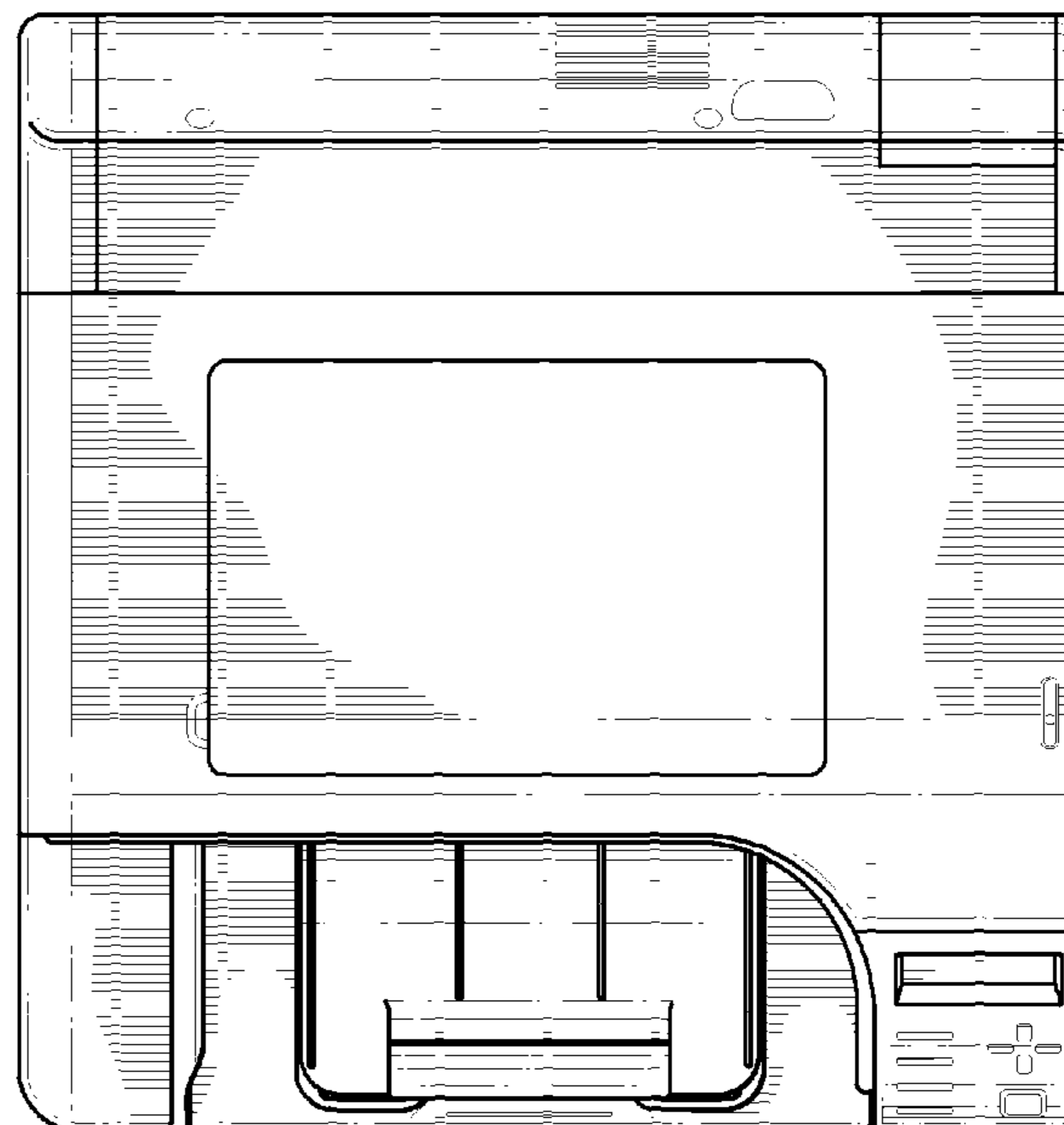
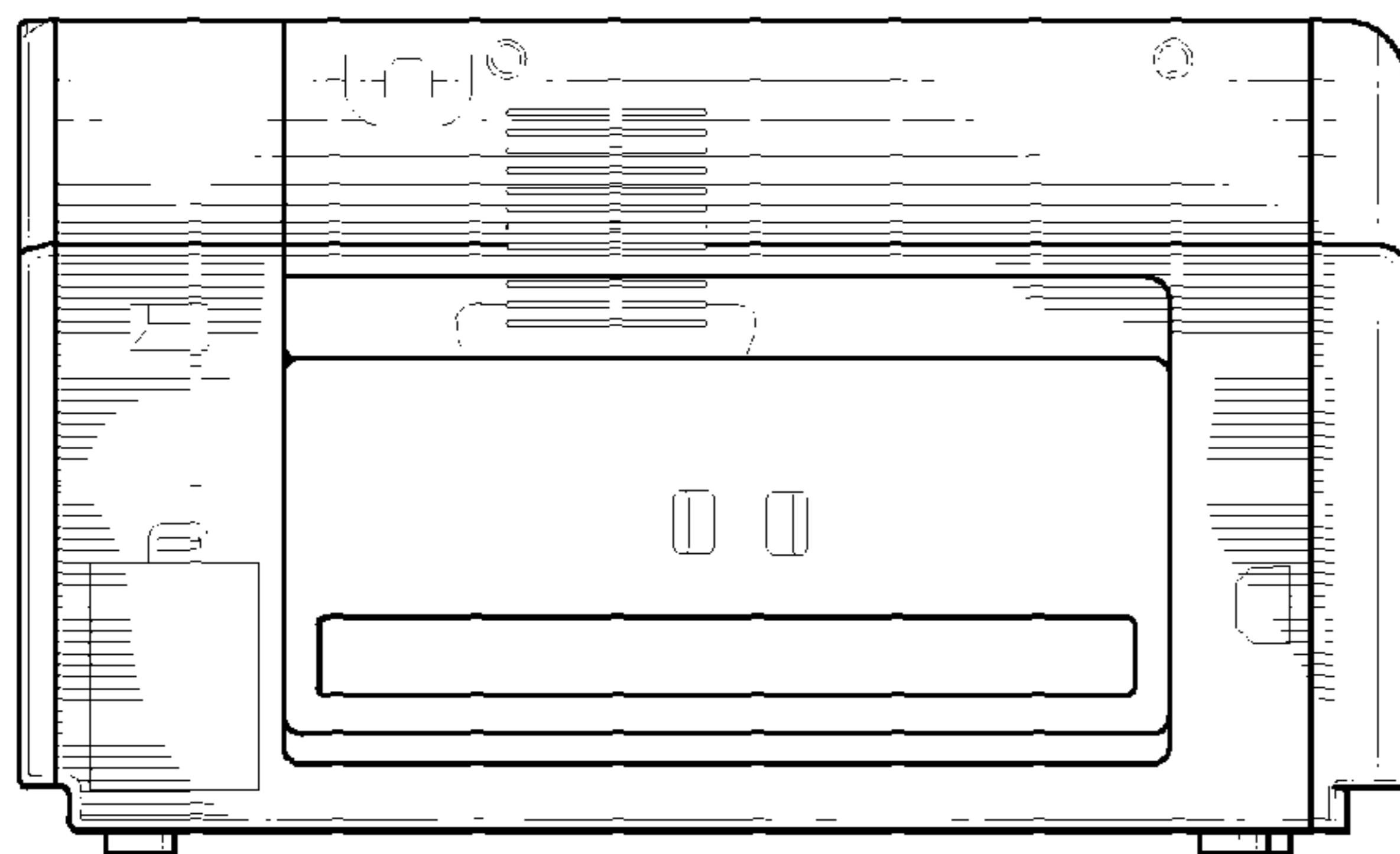
FIG. 3 is a top plan view thereof;

FIG. 4 is a bottom plan view thereof;

FIG. 5 is a right side elevation thereof; and,

FIG. 6 is a left side elevation thereof.

**1 Claim, 4 Drawing Sheets**



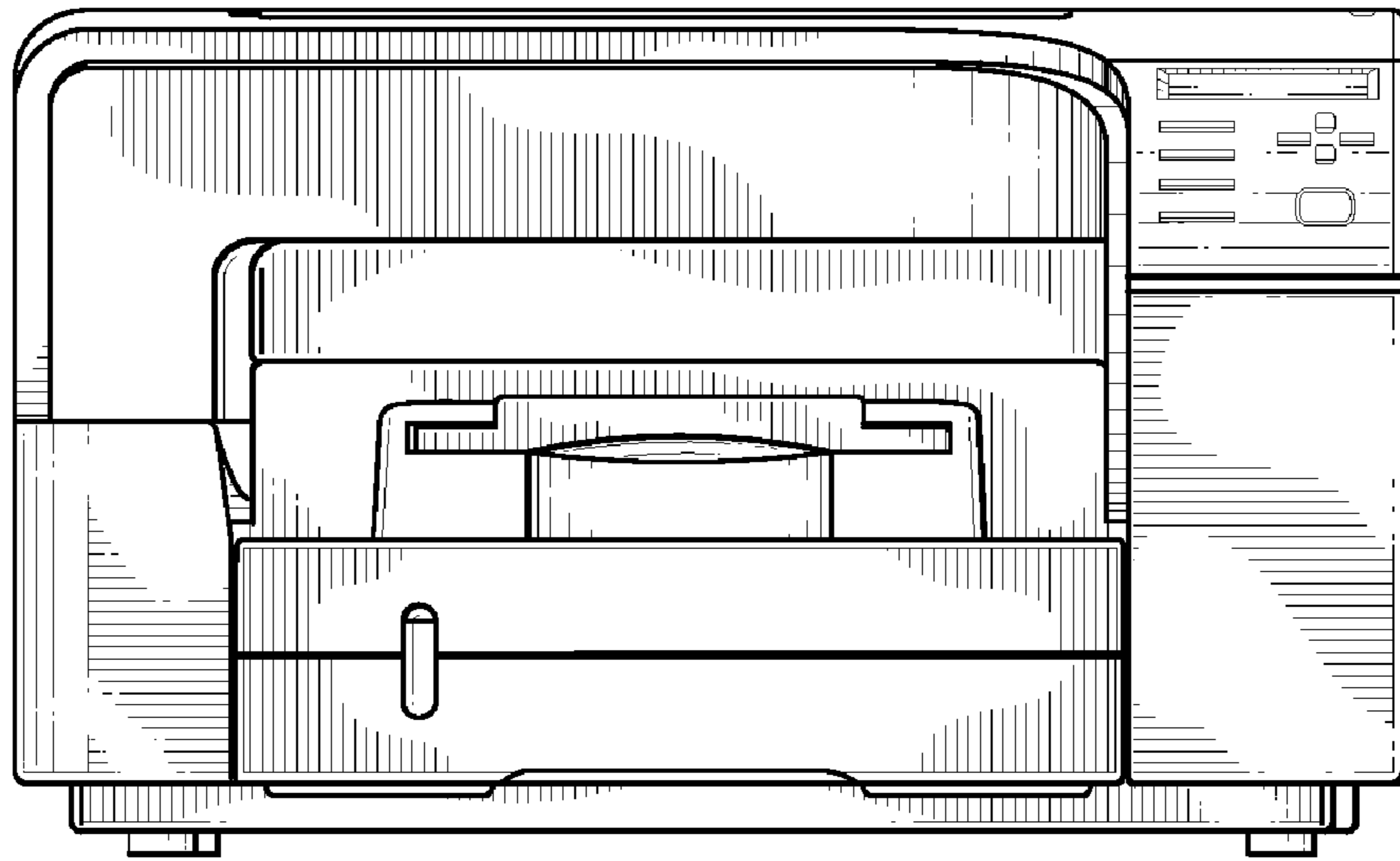


FIG. 1

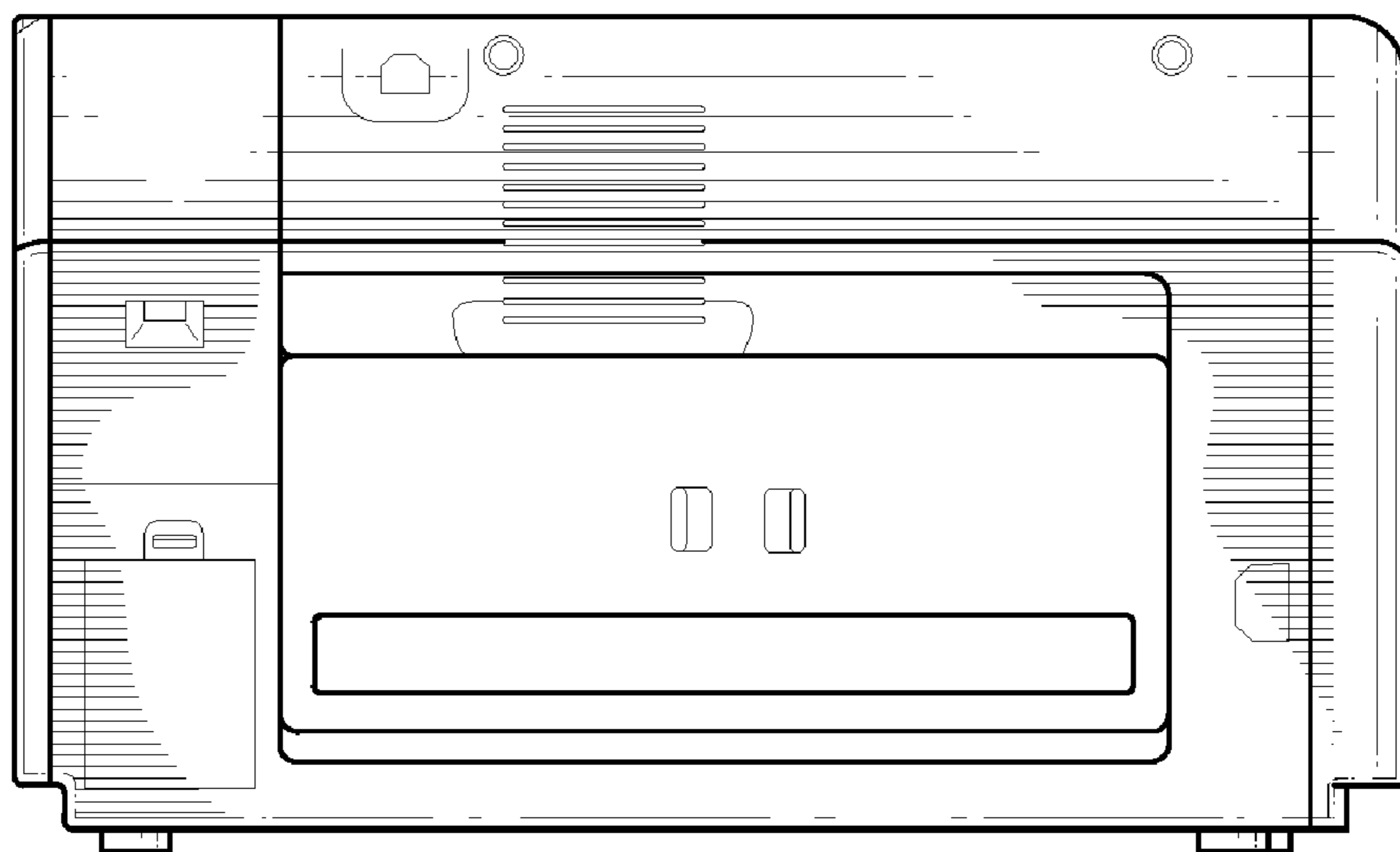


FIG. 2

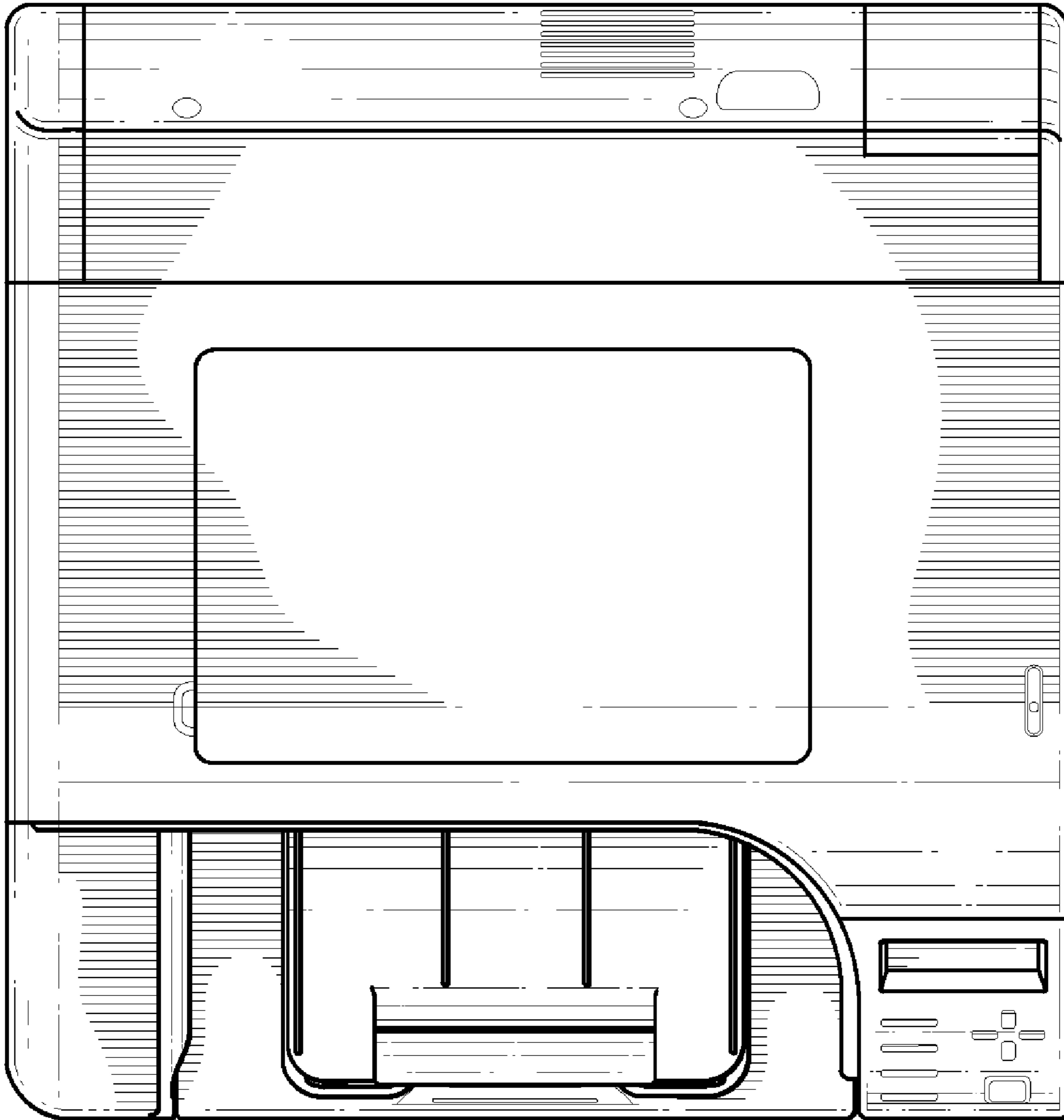


FIG. 3

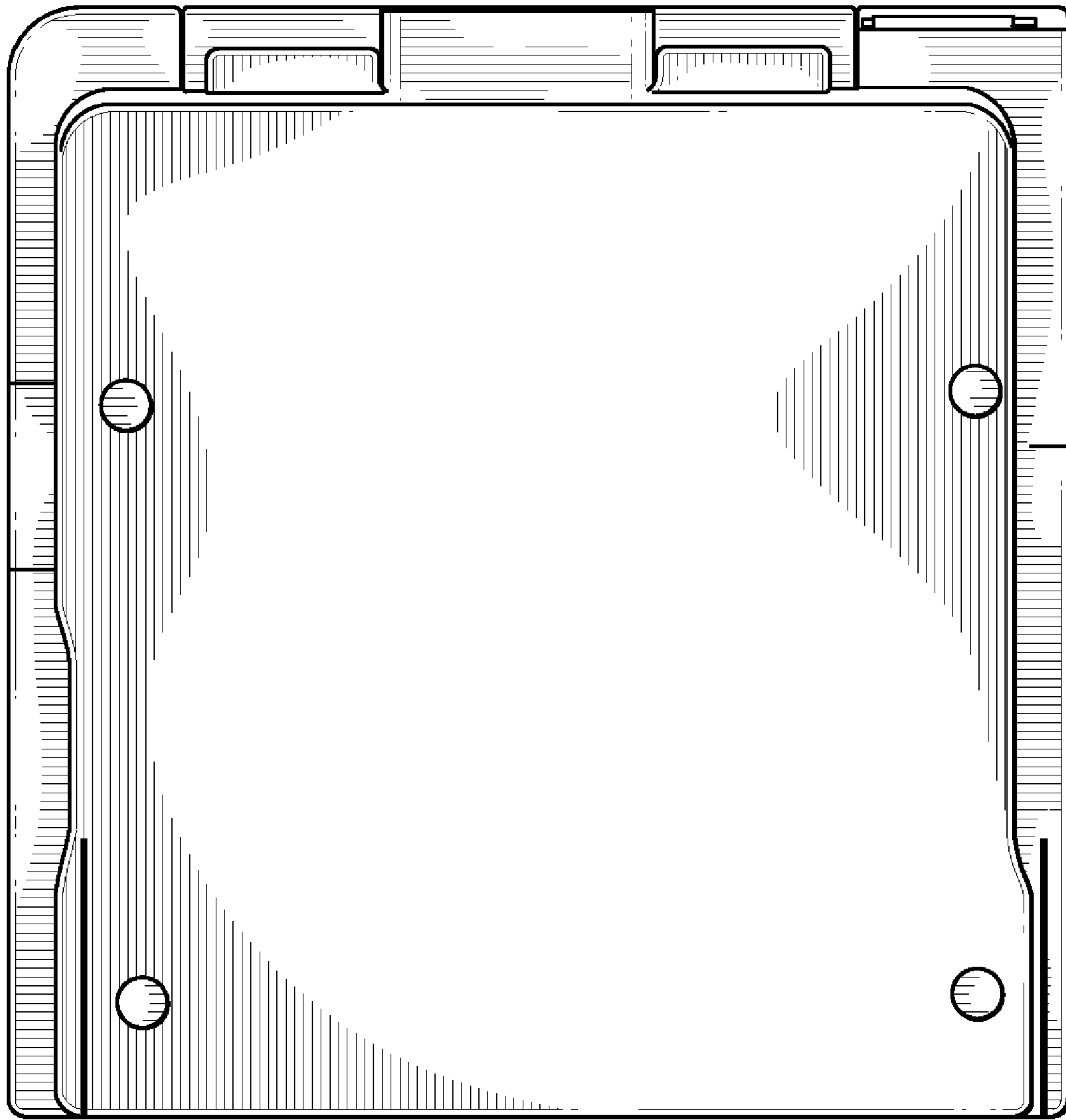


FIG. 4

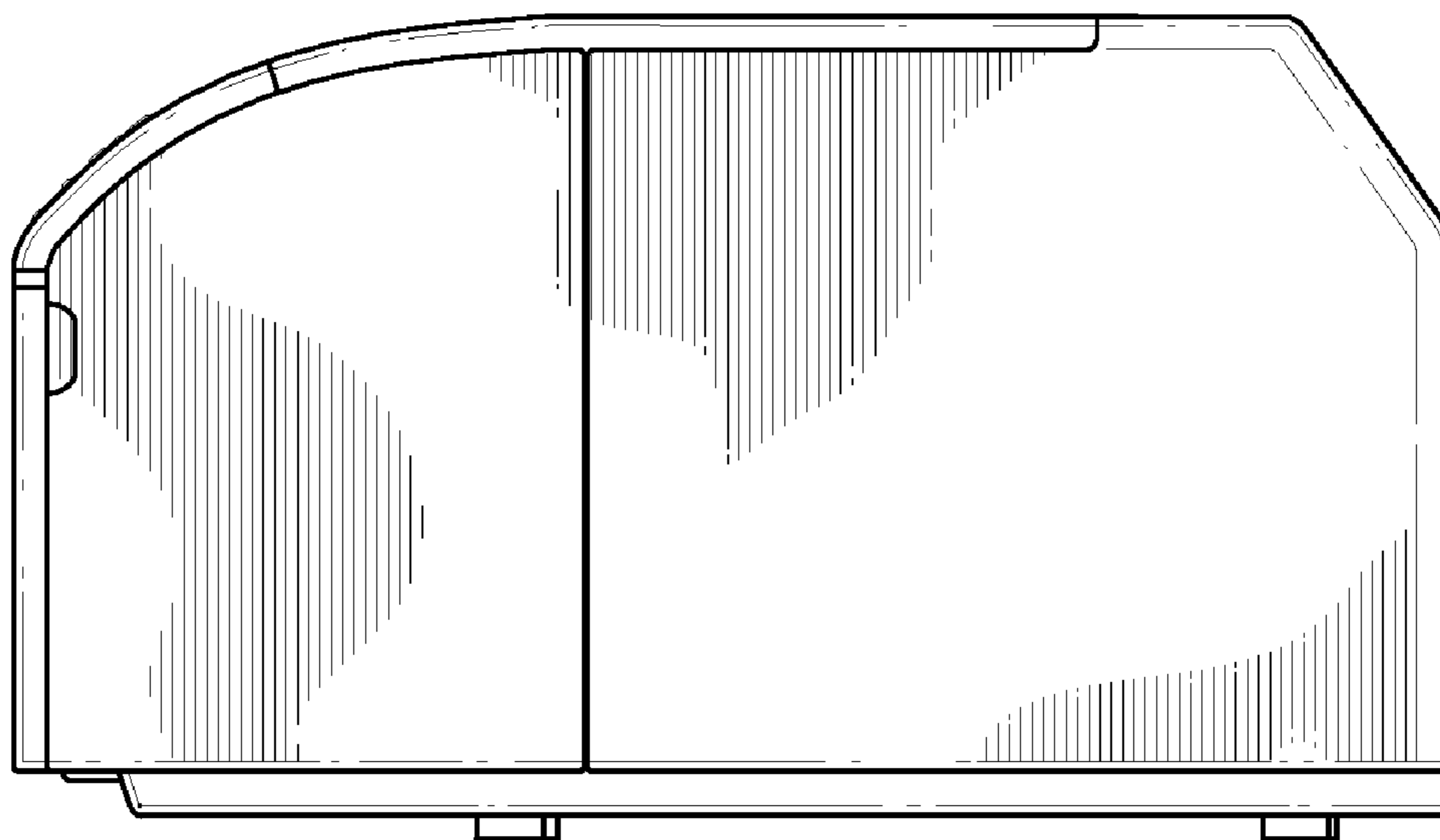


FIG. 5

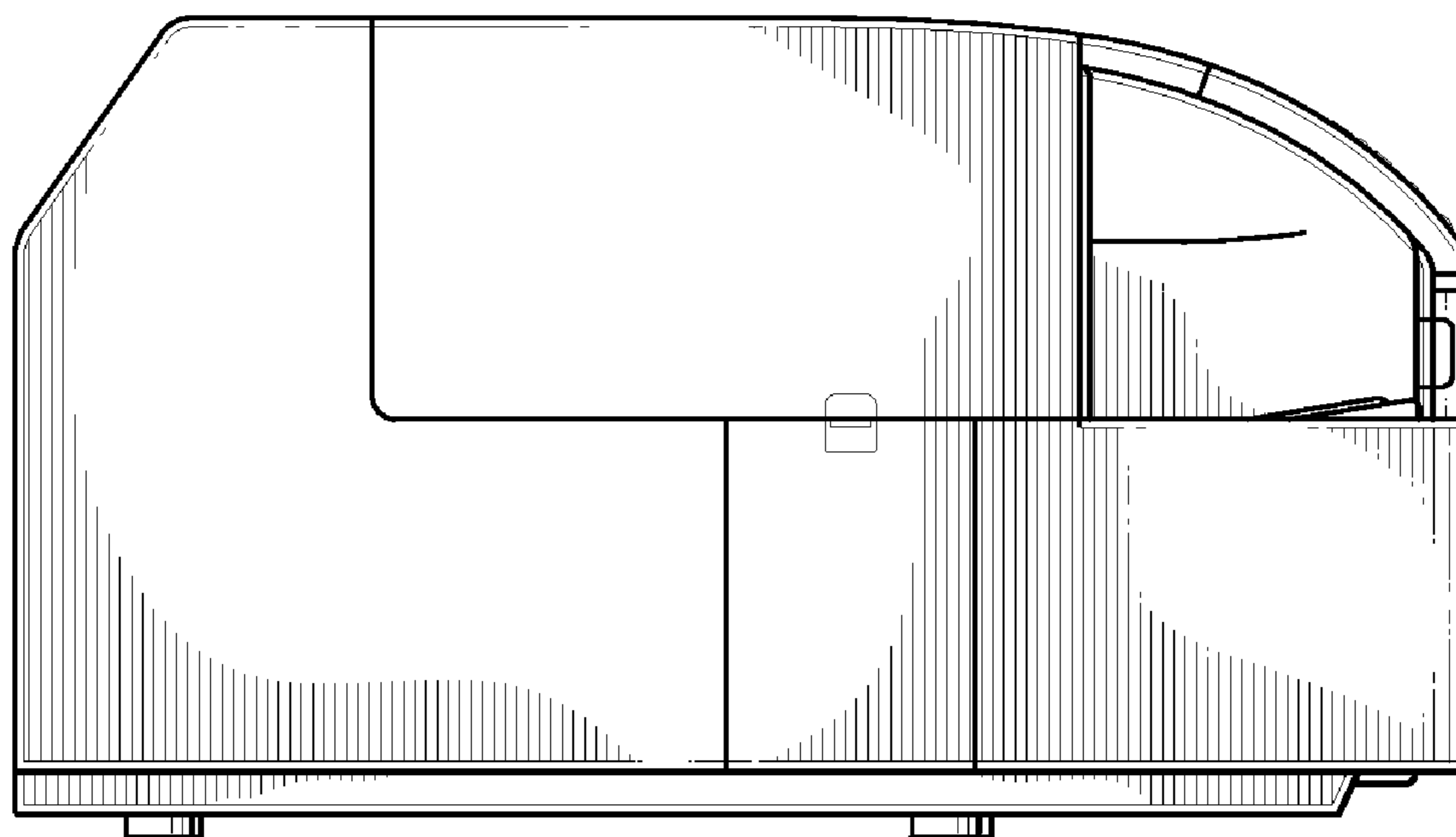


FIG. 6