



US00D623220S

(12) **United States Design Patent**  
**Kim et al.**

(10) **Patent No.:** **US D623,220 S**  
(45) **Date of Patent:** **\*\* Sep. 7, 2010**

- (54) **OFFSET CATCH TRAY FINISHER**
- (75) Inventors: **Kyong-Hwan Kim**, Seoul (KR);  
**Jun-Won Bae**, Seoul (KR)
- (73) Assignee: **Samsung Electronics Co., Ltd.**,  
Kyunggi-do (KR)
- (\*\*) Term: **14 Years**
- (21) Appl. No.: **29/348,340**
- (22) Filed: **Dec. 22, 2009**
- (51) **LOC (9) Cl.** ..... **18-99**
- (52) **U.S. Cl.** ..... **D18/46**
- (58) **Field of Classification Search** ..... D18/36-41,  
D18/44-56; 222/DIG. 1; 271/3.14, 8.1,  
271/226, 278; 355/97, 98; 358/1.1; 399/1-7,  
399/16, 75, 81, 107, 130, 155, 361, 365,  
399/381-383, 388  
See application file for complete search history.

- D515,132 S \* 2/2006 Todd ..... D18/55
- D536,369 S \* 2/2007 Friedrich et al. .... D18/48
- D545,891 S \* 7/2007 Ramos et al. .... D18/49

\* cited by examiner

*Primary Examiner*—Caron Veynar  
*Assistant Examiner*—Garth Rademaker  
(74) *Attorney, Agent, or Firm*—Flynn, Thiel, Boutell & Tanis,  
P.C.

(57) **CLAIM**

The ornamental design for an offset catch tray finisher, as shown and described.

**DESCRIPTION**

FIG. 1 is a top front perspective view of an offset catch tray finisher showing our new design;  
FIG. 2 is a front elevational view thereof;  
FIG. 3 is a rear elevational view thereof;  
FIG. 4 is a left side elevational view thereof;  
FIG. 5 is a right side elevational view thereof;  
FIG. 6 is a top plan view thereof;  
FIG. 7 is a bottom plan view thereof; and,  
FIG. 8 is a top, front perspective view thereof, shown in an environment of use.

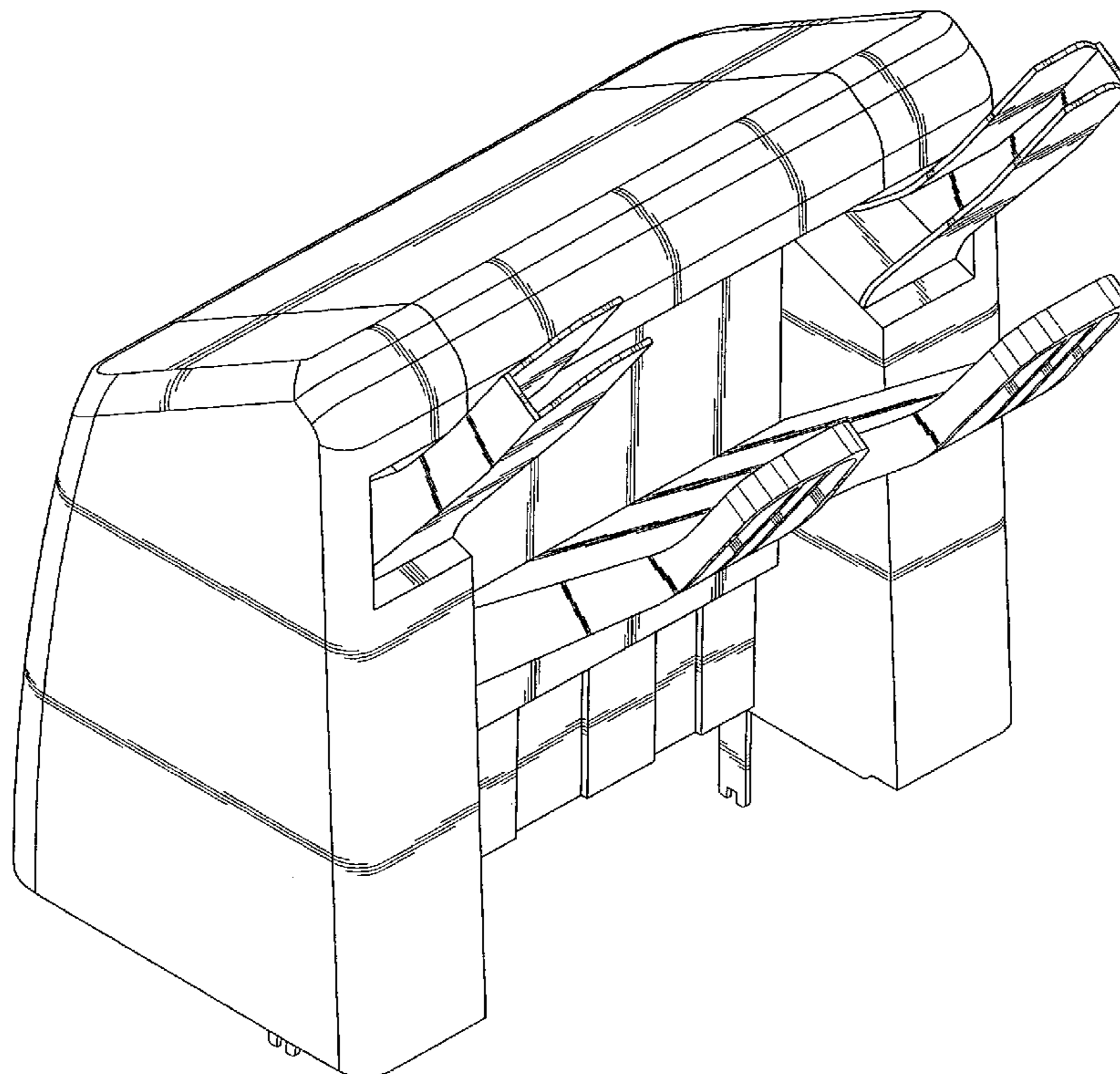
The broken lines depict environmental subject matter only and form no part of the claimed design.

**1 Claim, 8 Drawing Sheets**

(56) **References Cited**

U.S. PATENT DOCUMENTS

- D286,409 S \* 10/1986 Kosako et al. .... D18/48
- D294,598 S \* 3/1988 Ohmori ..... D18/46
- D377,502 S \* 1/1997 Mimoto ..... D18/54
- D422,628 S \* 4/2000 Kusanagi ..... D18/44
- D435,587 S \* 12/2000 Suzuki et al. .... D18/48
- 6,702,282 B2 \* 3/2004 Pribula et al. .... 271/272
- D491,086 S \* 6/2004 LaBarbera et al. .... D10/81
- D494,212 S \* 8/2004 LaBarbera et al. .... D18/44



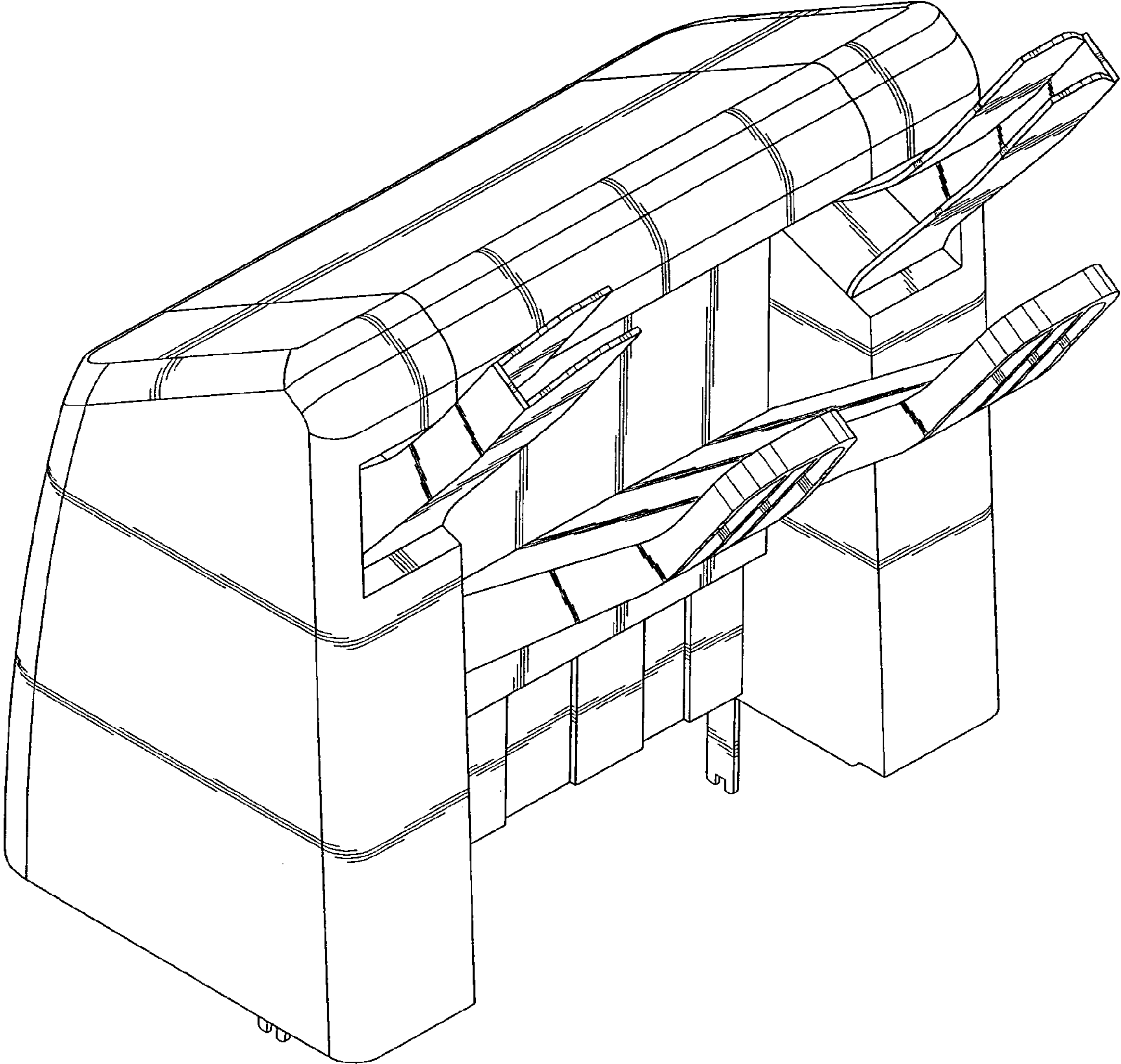


FIG. 1

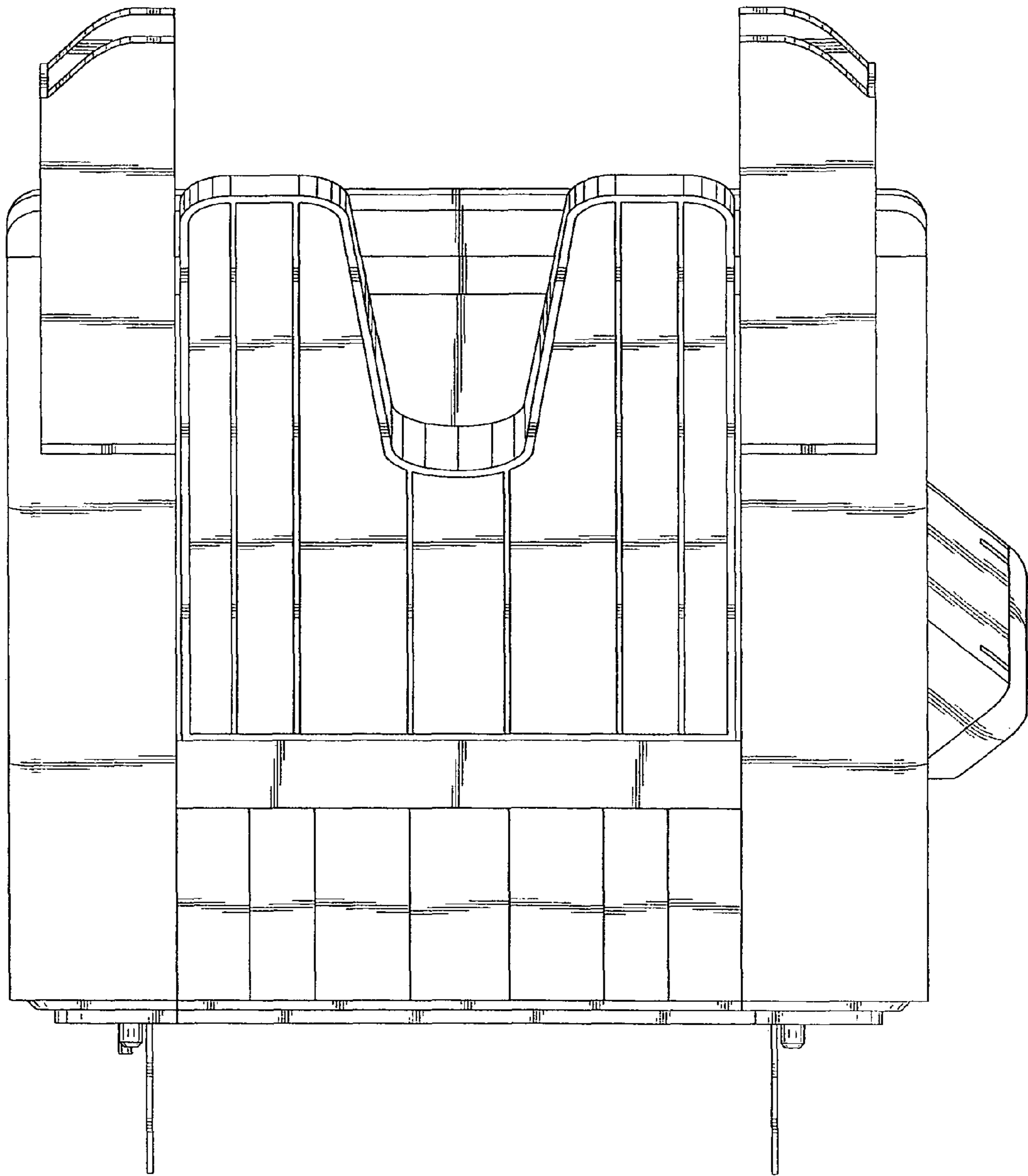


FIG. 2

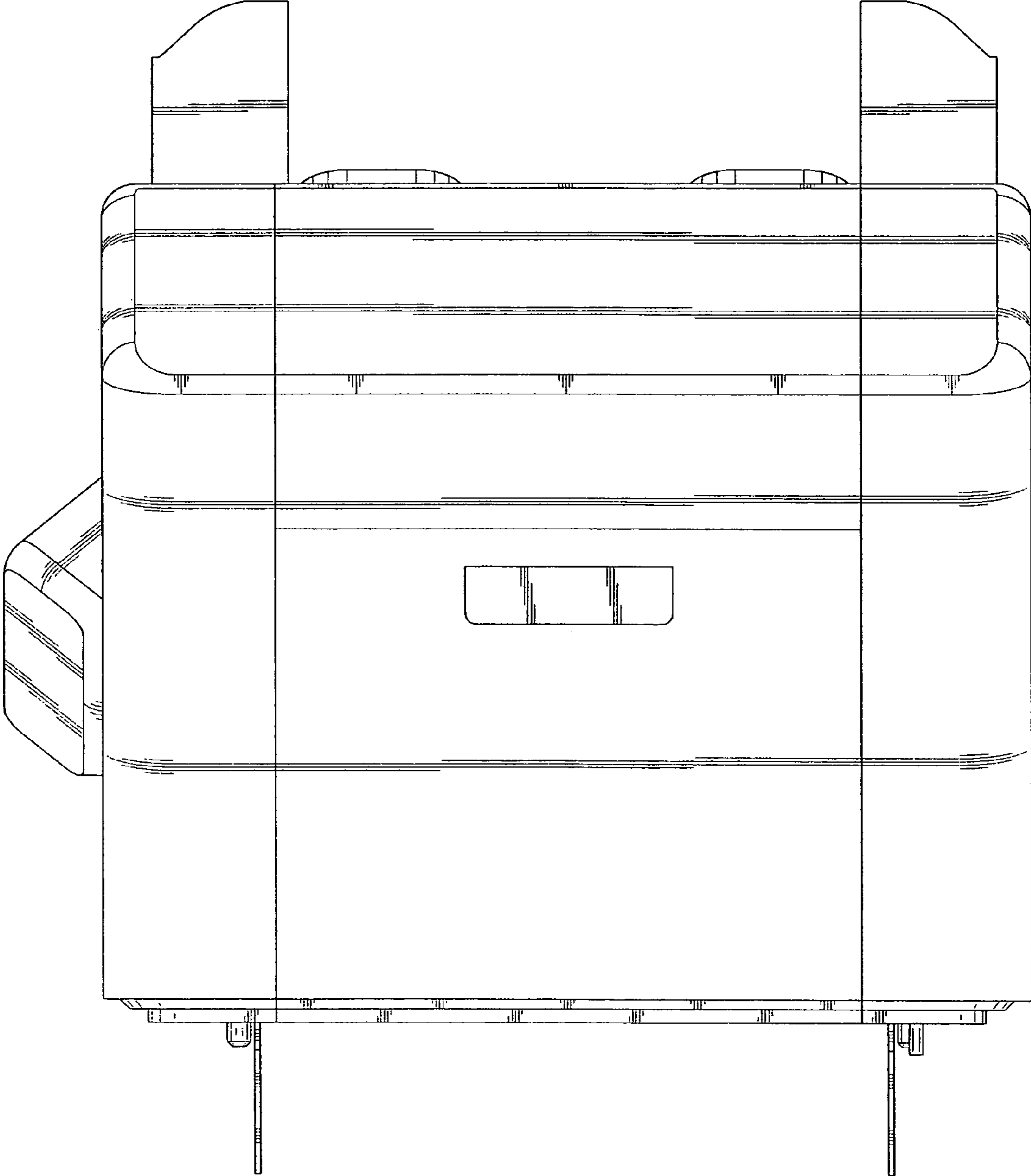


FIG. 3

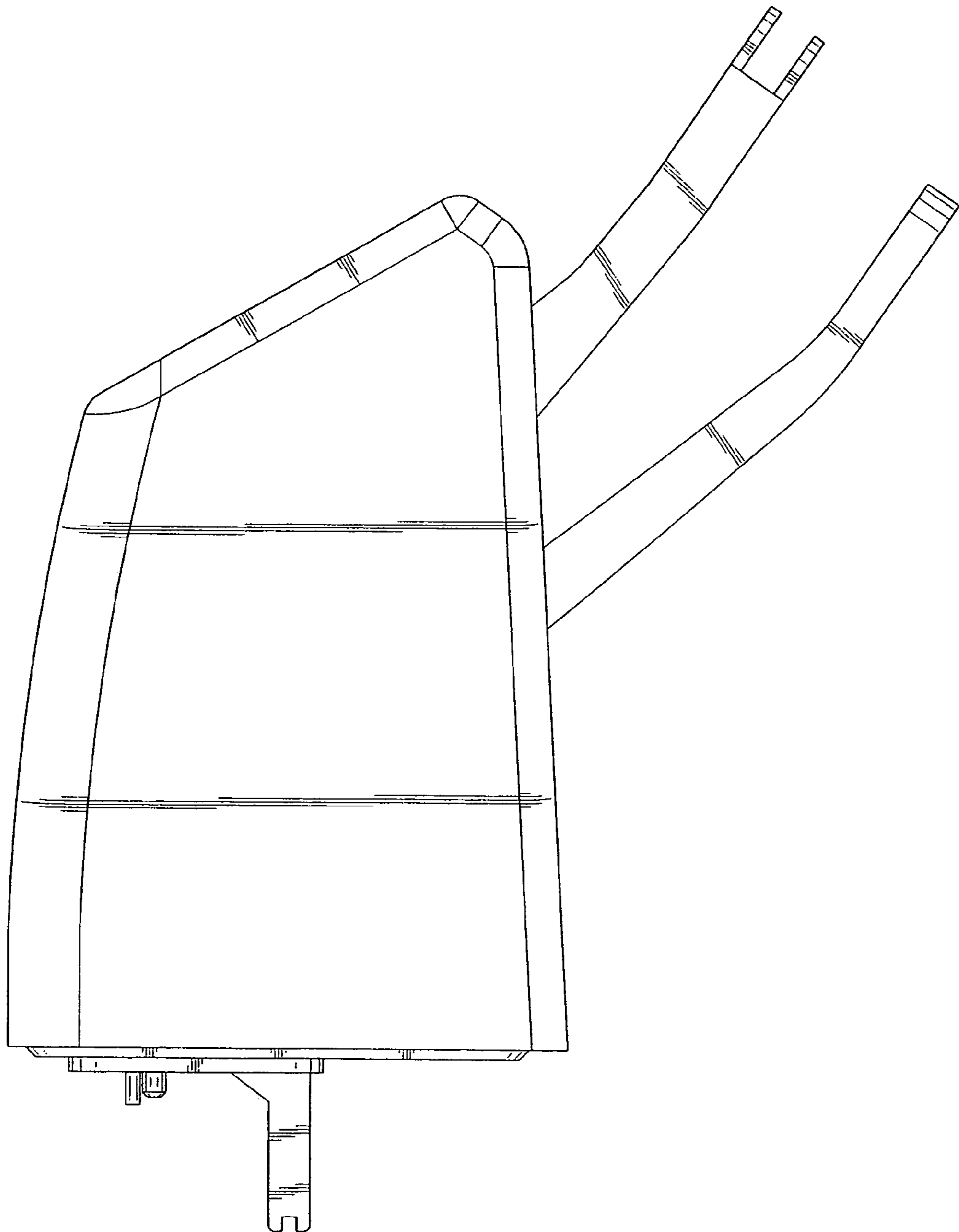


FIG. 4

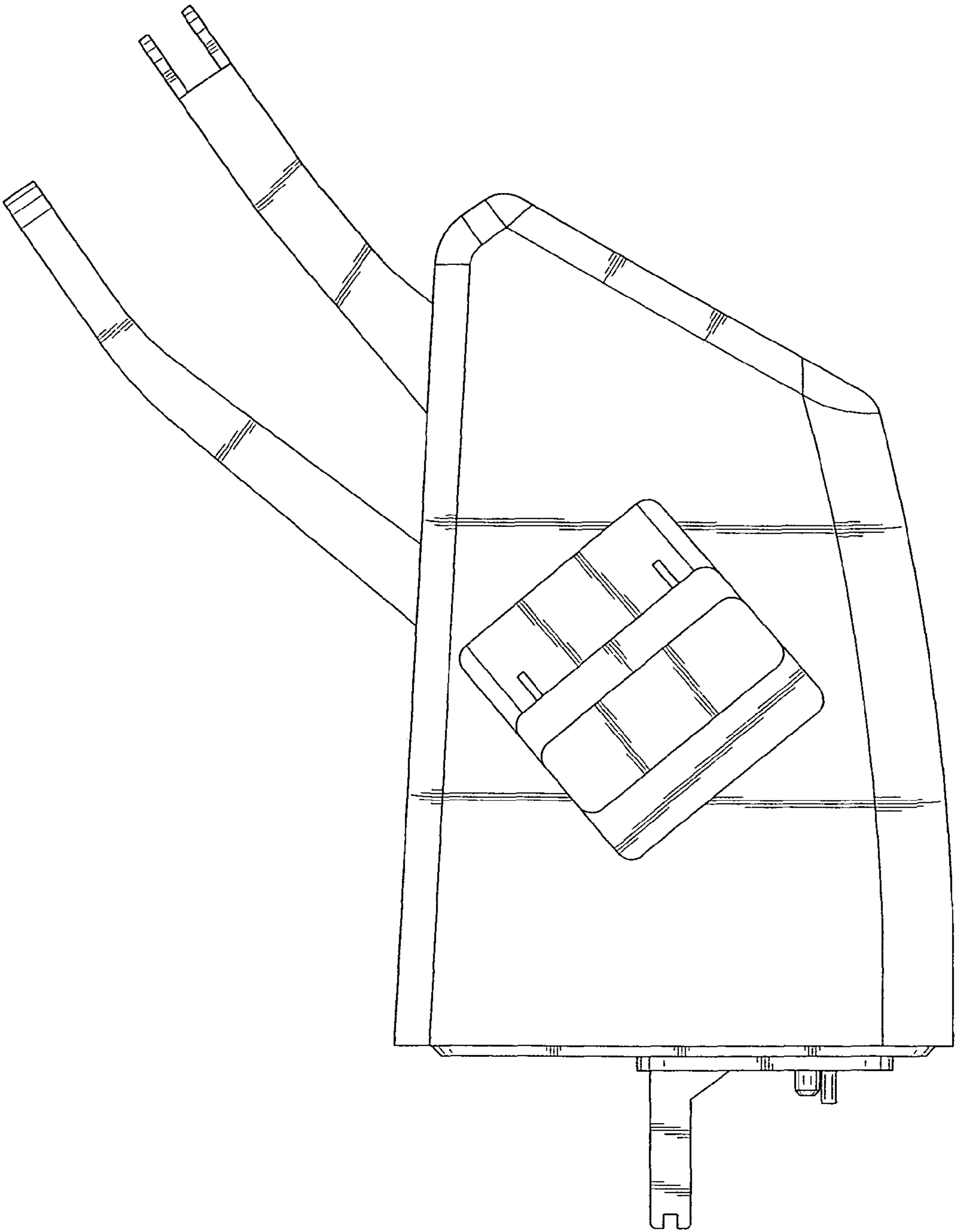


FIG. 5

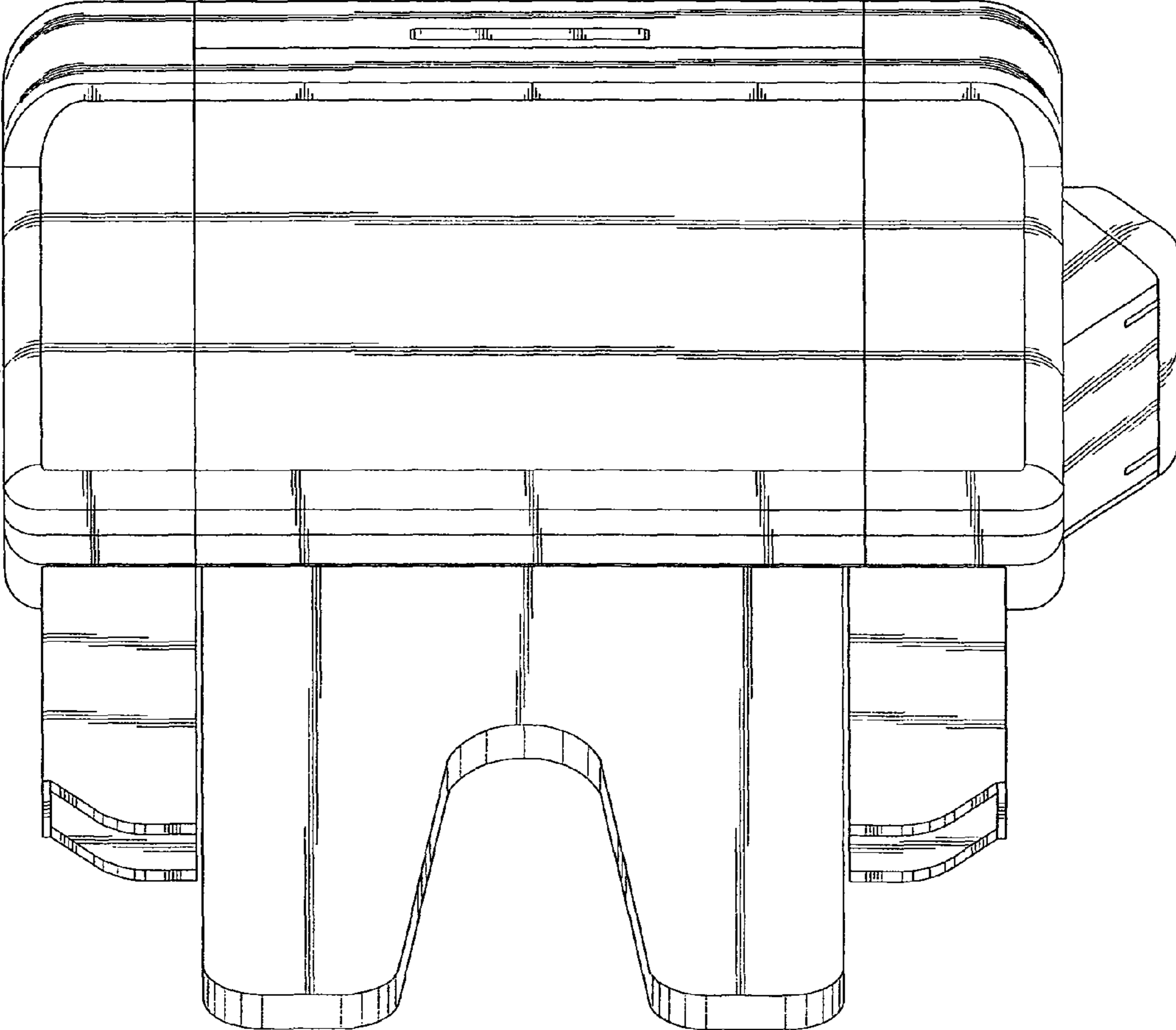


FIG. 6

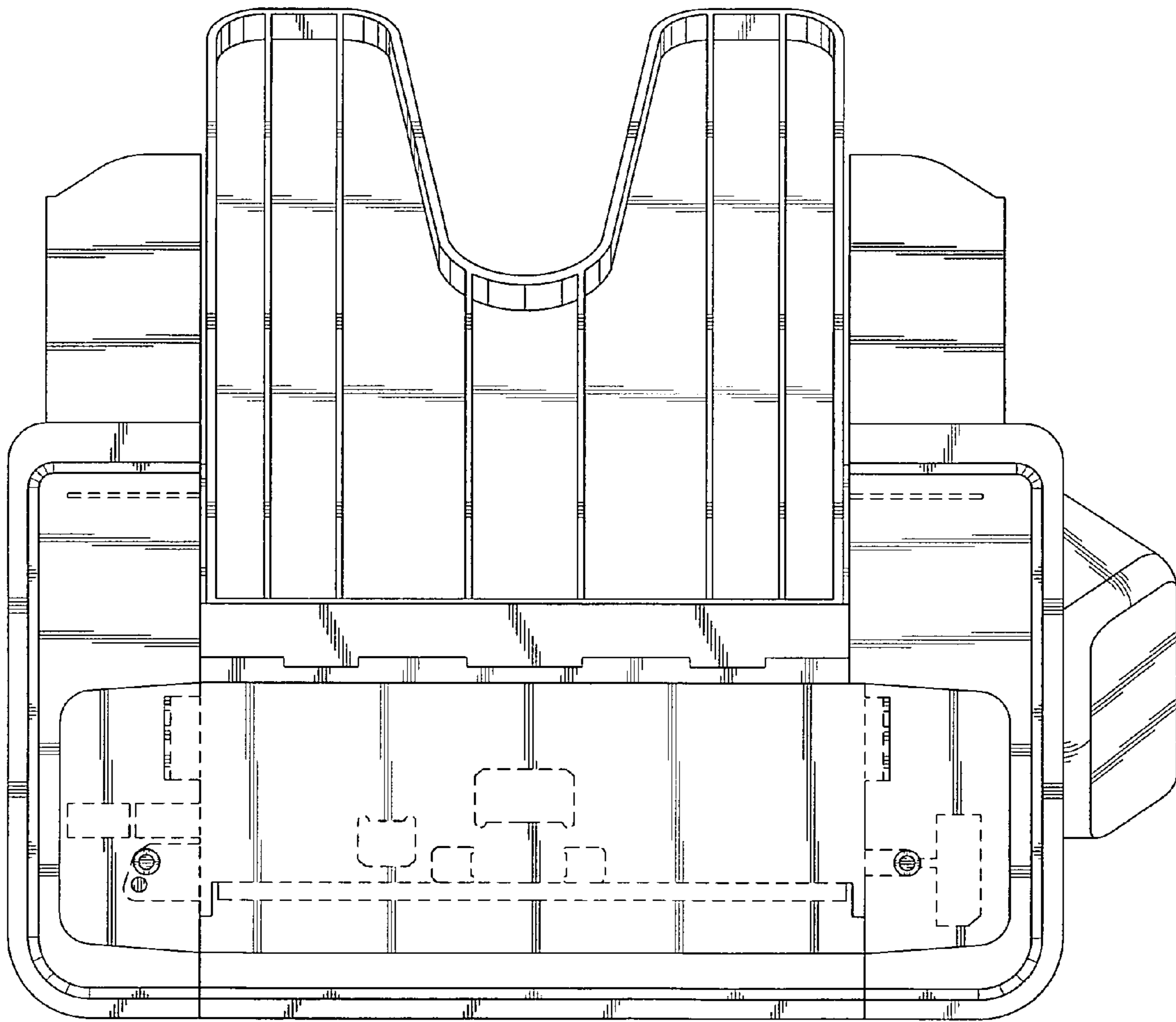


FIG. 7



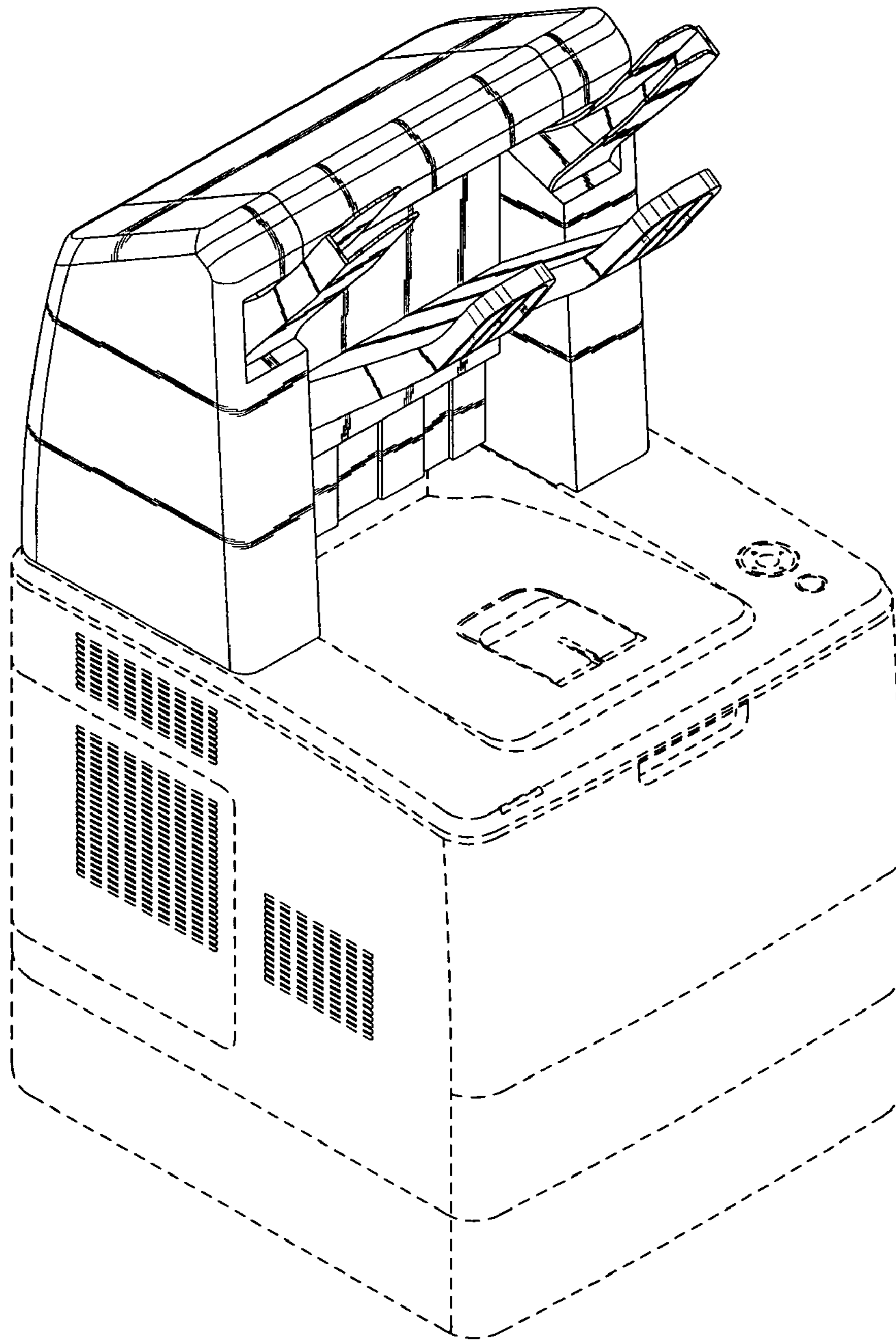


FIG. 8