



US00D623214S

(12) **United States Design Patent**
Onoda

(10) **Patent No.:** **US D623,214 S**

(45) **Date of Patent:** **** Sep. 7, 2010**

(54) **PORTABLE VIDEO MAGNIFIER**

(75) Inventor: **Akira Onoda**, Ehime (JP)

(73) Assignee: **Panasonic Corporation**, Osaka (JP)

(**) Term: **14 Years**

(21) Appl. No.: **29/345,647**

(22) Filed: **Oct. 20, 2009**

(51) **LOC (9) Cl.** **16-02**

(52) **U.S. Cl.** **D16/225**; D16/130; D21/329

(58) **Field of Classification Search** D16/130,
D16/200-202, 204, 208, 211, 219, 221, 225,
D16/229, 232, 235, 135, 230; D13/162,
D13/168, 184; D14/218, 401, 454; D10/104,
D10/106, 62; D21/324, 329, 331-333, 566;
359/363, 369, 380, 392, 802-804; 348/62-63,
348/333.01, 333.06, 333.07; 273/150, 307;
463/37, 46, 47; 382/114

See application file for complete search history.

(56) **References Cited**

U.S. PATENT DOCUMENTS

4,991,935 A * 2/1991 Sakurai 359/804
D332,804 S * 1/1993 Li D21/331
D414,522 S * 9/1999 Kitamori D21/329
D500,334 S * 12/2004 Yanagisawa et al. D16/219
7,172,305 B2 * 2/2007 Rodriguez et al. 359/802
D556,759 S * 12/2007 Kawanobe et al. D14/401

7,336,295 B2 * 2/2008 Sukenari et al. 348/63
D614,220 S * 4/2010 Goldenberg D16/200

FOREIGN PATENT DOCUMENTS

JP D1215178 8/2004

* cited by examiner

Primary Examiner—Ian Simmons

Assistant Examiner—Wan Laymon

(74) *Attorney, Agent, or Firm*—Brinks Hofer Gilson & Lione

(57) **CLAIM**

I claim the ornamental design for a portable video magnifier, as shown and described.

DESCRIPTION

FIG. 1 is a front and bottom perspective view of a portable video magnifier of the present invention;

FIG. 2 is a front view thereof;

FIG. 3 is a rear view thereof;

FIG. 4 is a first side view thereof;

FIG. 5 is a second side view thereof;

FIG. 6 is a top view thereof;

FIG. 7 is a bottom view thereof;

FIG. 8 is a top and front perspective view; and,

FIG. 9 is a top and rear perspective view with a stand shown in the upright position.

1 Claim, 9 Drawing Sheets

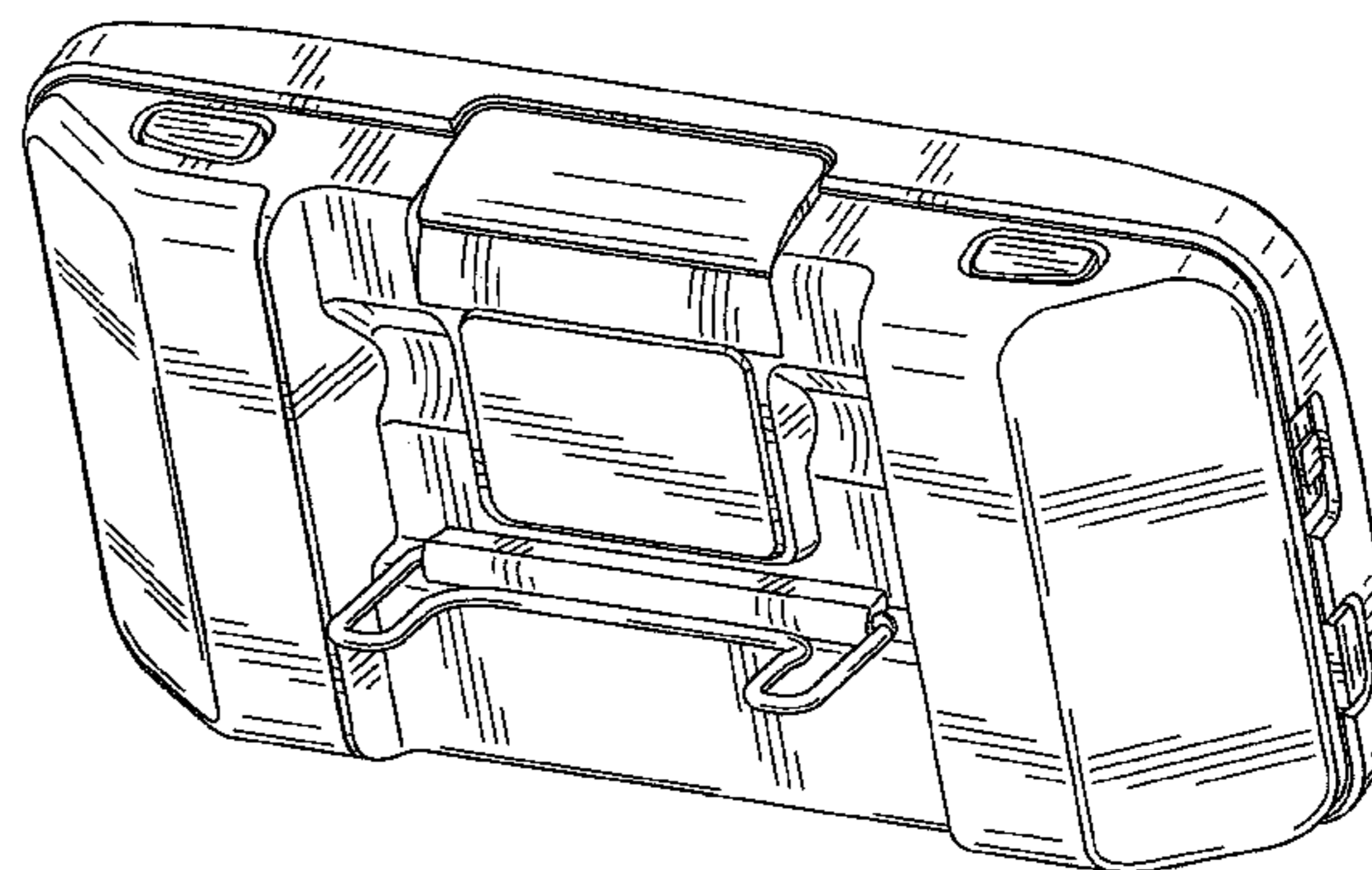
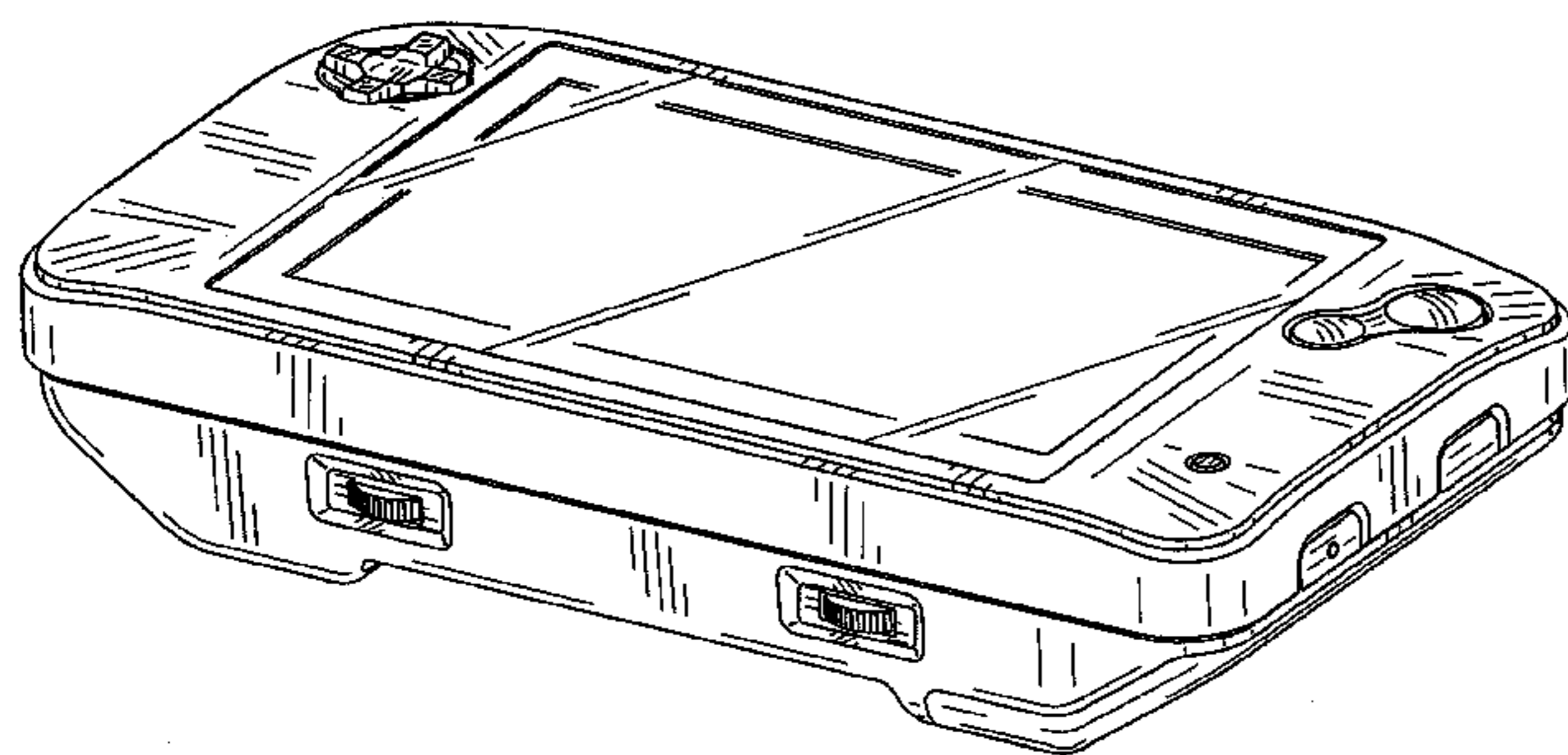


FIG.1

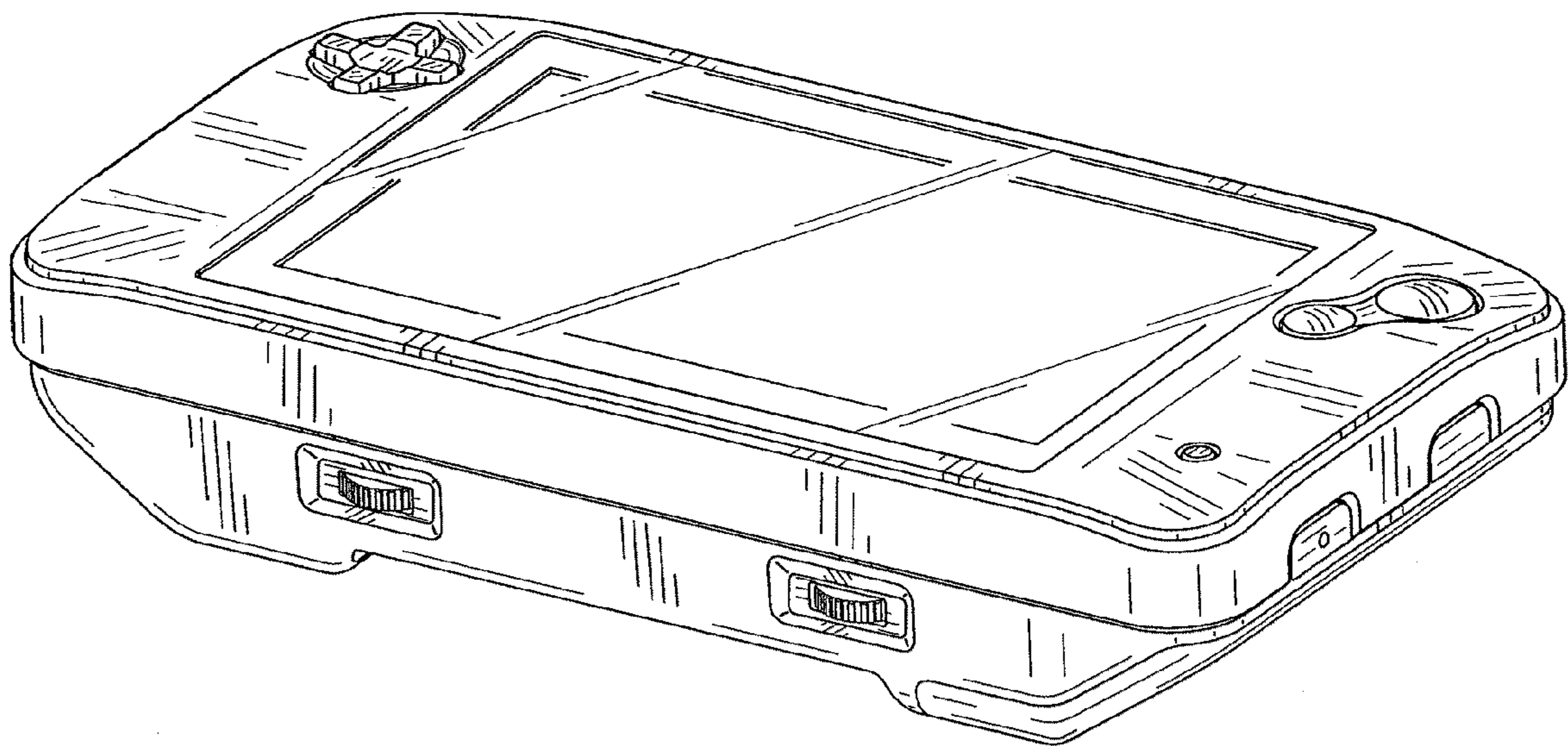


FIG.2

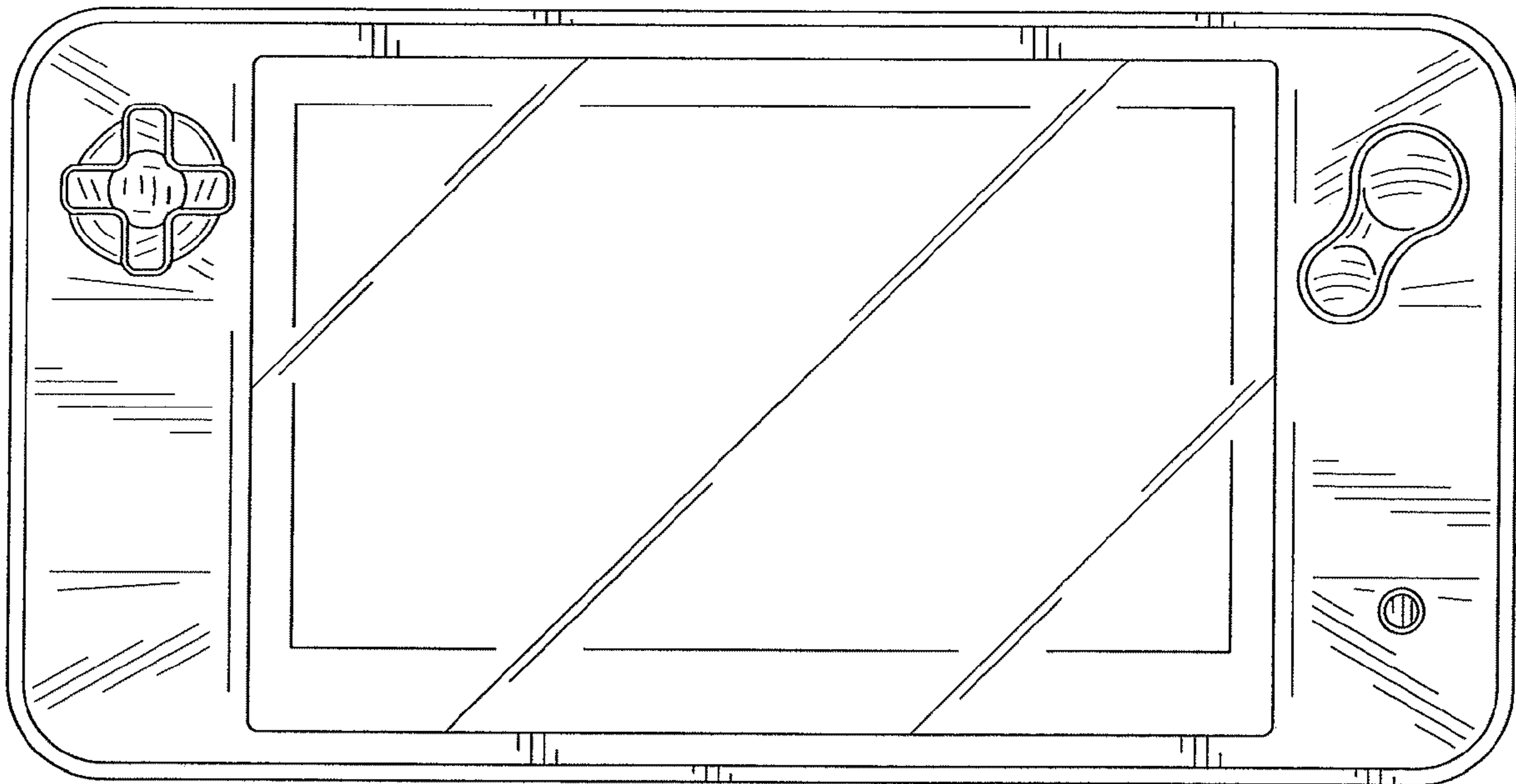


FIG.3

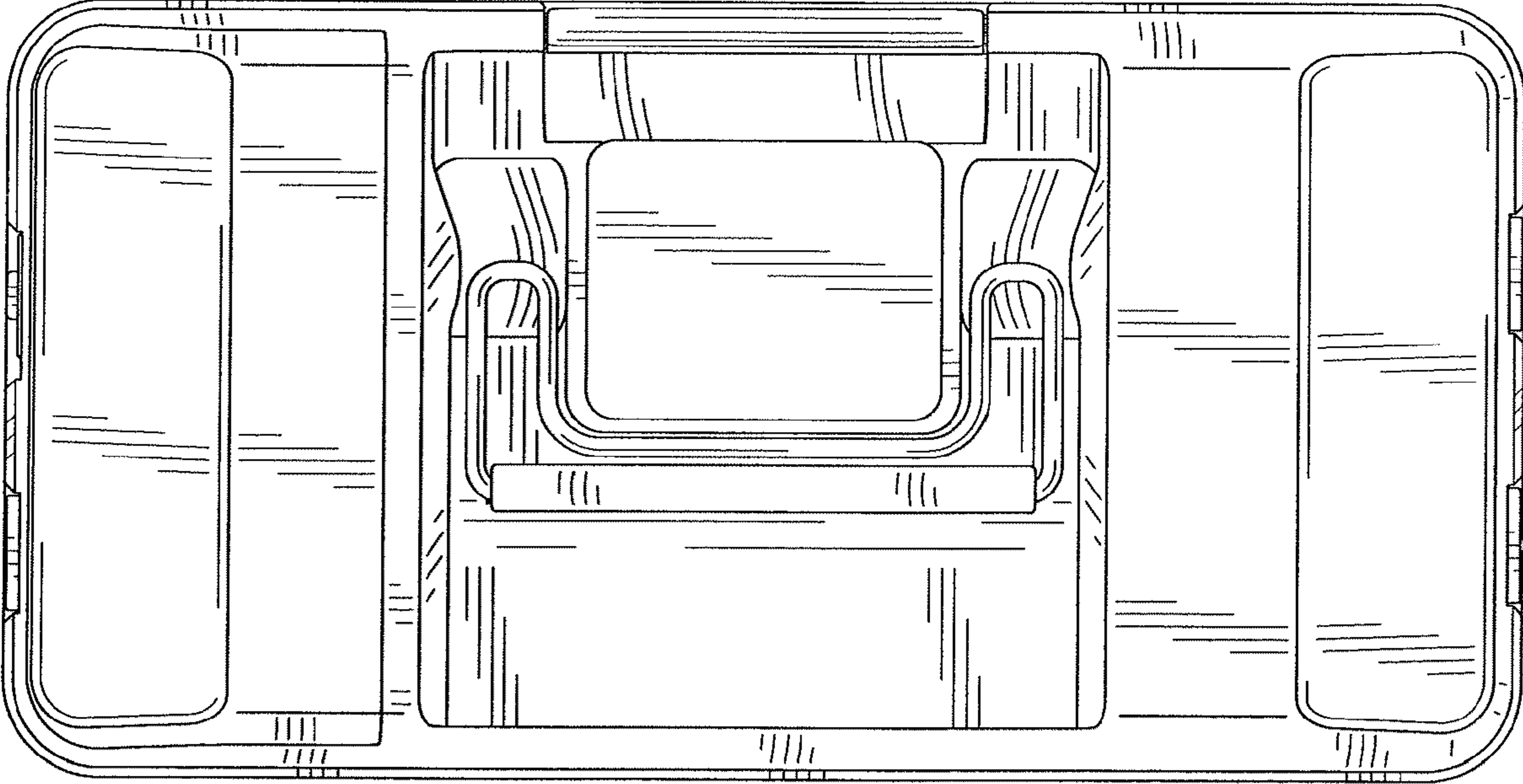


FIG. 4

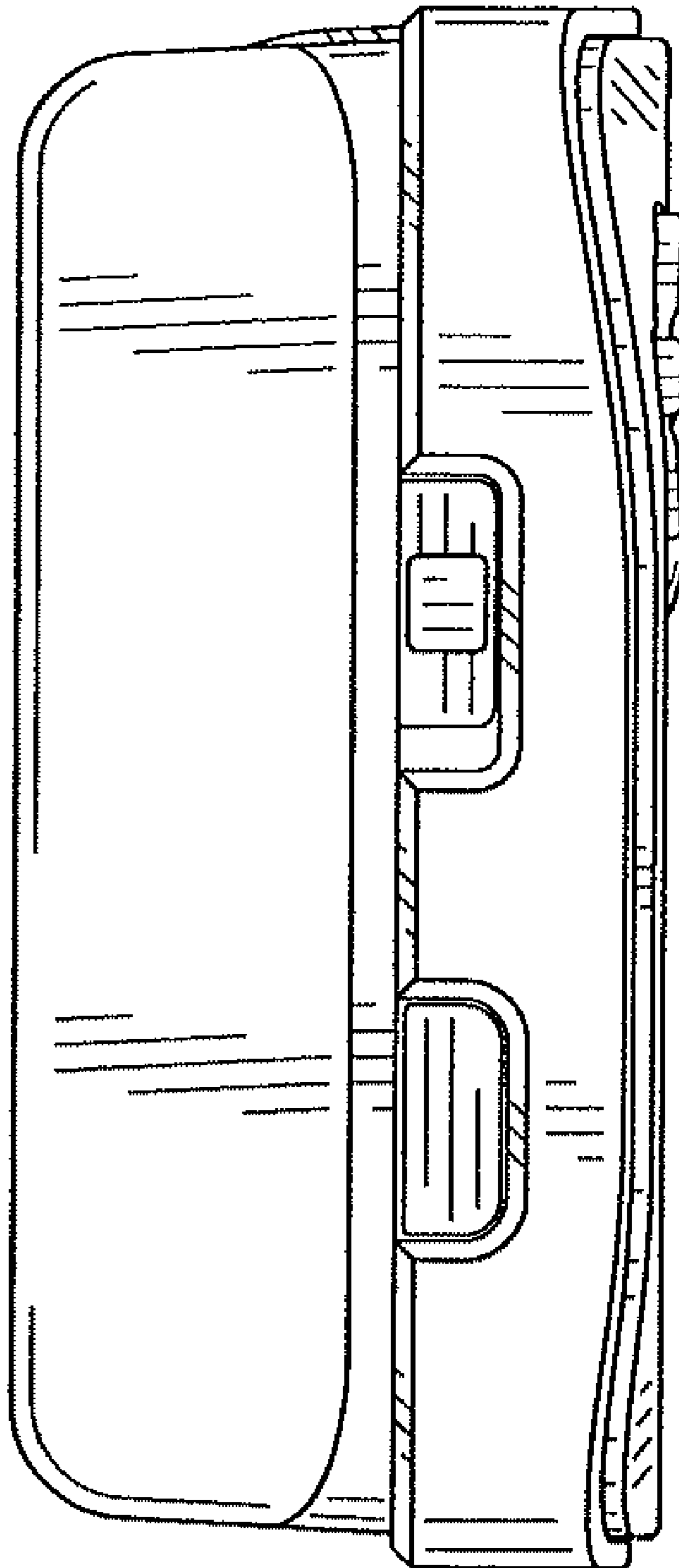


FIG. 5

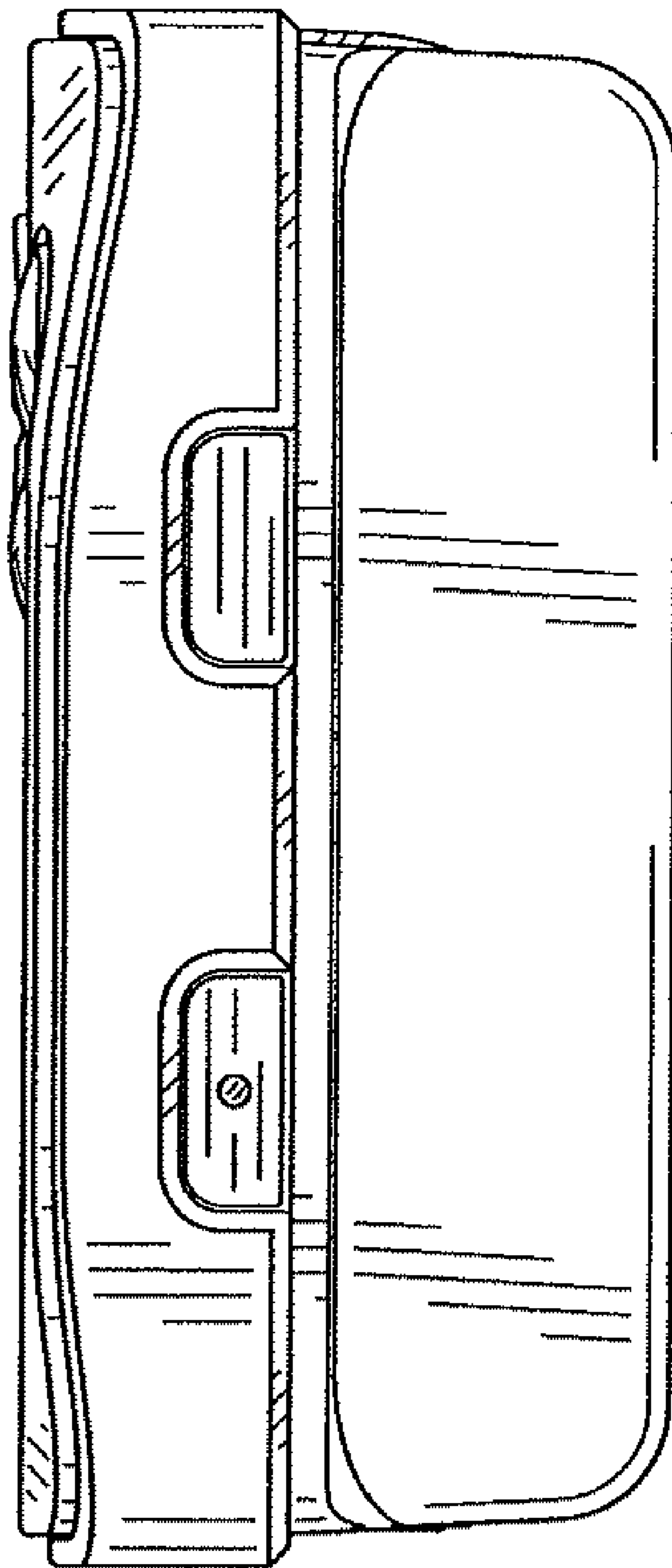


FIG.6

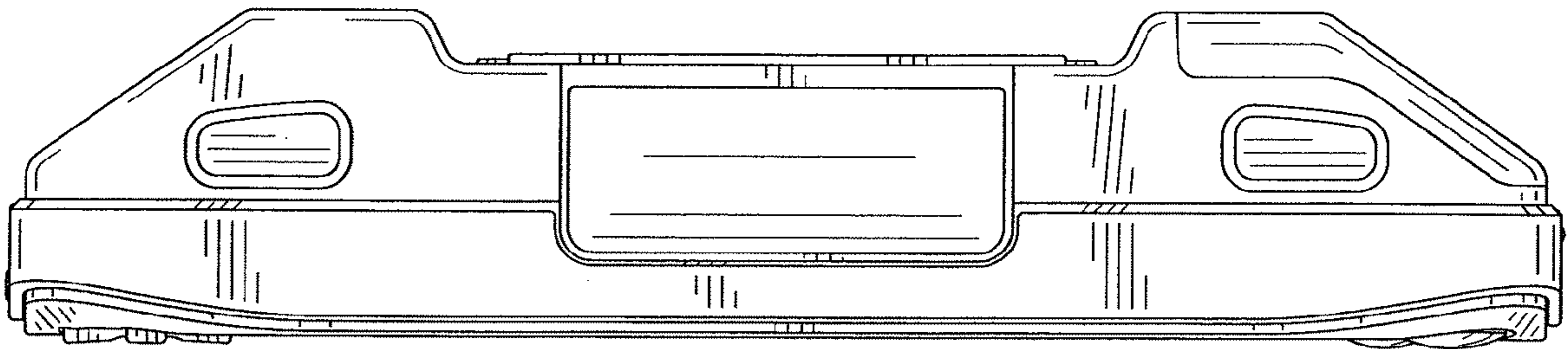


FIG.7

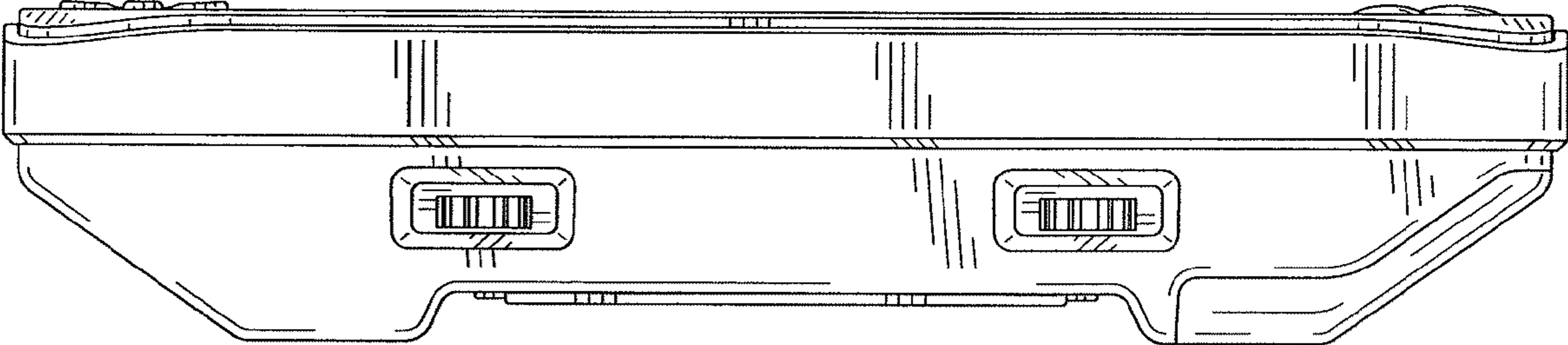


FIG.8

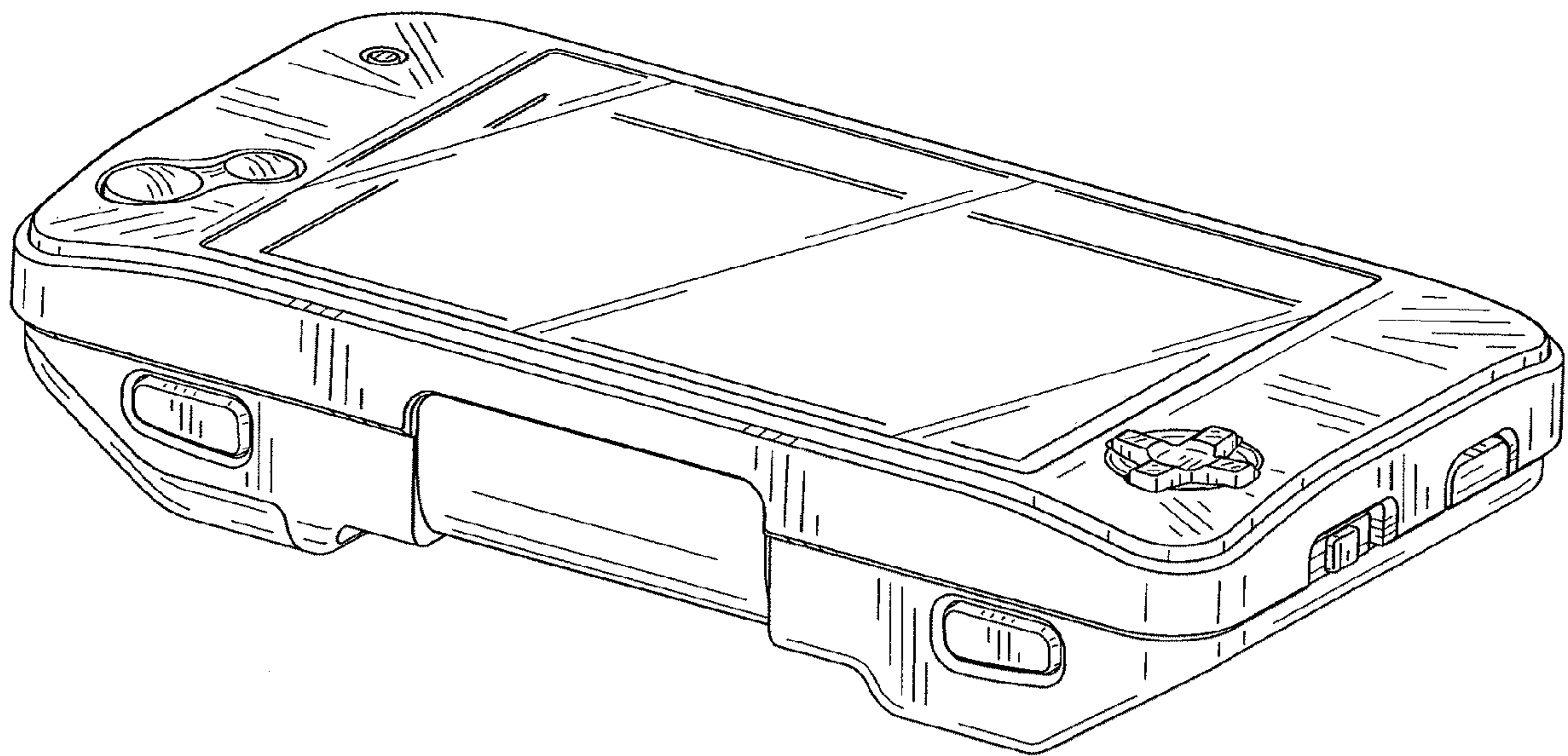


FIG.9

