



US00D623210S

(12) **United States Design Patent**
Matuschek et al.

(10) **Patent No.:** **US D623,210 S**

(45) **Date of Patent:** **** Sep. 7, 2010**

(54) **STAND WITH SURGICAL MICROSCOPE**

(75) Inventors: **Walter Matuschek**, Aalen (DE);
Graham Keevy, München (DE)

(73) Assignee: **Carl Zeiss Surgical GmbH**,
Oberkochen (DE)

(**) Term: **14 Years**

(21) Appl. No.: **29/311,626**

(22) Filed: **May 5, 2009**

(30) **Foreign Application Priority Data**

Nov. 5, 2008 (EM) 001036099-0001

(51) **LOC (9) Cl.** **16-06**

(52) **U.S. Cl.** **D16/131**

(58) **Field of Classification Search** D16/130,
D16/131; 359/382, 384, 388, 362, 363, 368,
359/372; 248/123.2, 292.11, 281.11, 280.11;
600/131, 427, 429; 606/427, 167, 177; 351/212
See application file for complete search history.

(56) **References Cited**

U.S. PATENT DOCUMENTS

3,809,454	A *	5/1974	Brambring	359/382
4,241,891	A *	12/1980	Rudolph	248/123.2
4,605,287	A *	8/1986	Lang et al.	359/374
4,807,989	A *	2/1989	Nagano et al.	351/212
5,074,651	A *	12/1991	Nagamine	359/384
5,173,802	A *	12/1992	Heller	359/384
5,186,422	A *	2/1993	Nakamura	248/123.2
5,288,043	A *	2/1994	Tigliiev	248/123.11
5,332,181	A *	7/1994	Schweizer et al.	248/123.11
5,667,186	A *	9/1997	Luber et al.	248/550
5,748,366	A *	5/1998	Yasunaga et al.	359/368
5,820,623	A *	10/1998	Ng	606/1
6,050,530	A *	4/2000	Nakamura	248/123.2

6,434,416	B1 *	8/2002	Mizoguchi et al.	600/427
D482,708	S *	11/2003	Matuschek	D16/131
6,646,798	B2 *	11/2003	Schmidt et al.	359/382
D488,823	S *	4/2004	Asaka et al.	D16/131
D498,247	S *	11/2004	Suzuki et al.	D16/131
6,833,950	B2 *	12/2004	Schmidt	359/384
6,899,307	B2 *	5/2005	Strauss et al.	248/280.11
7,232,222	B2 *	6/2007	Kogawa et al.	351/221

* cited by examiner

Primary Examiner—Paula Greene

(74) *Attorney, Agent, or Firm*—Walter Ottesen

(57) **CLAIM**

The ornamental design for a stand with surgical microscope, as shown and described.

DESCRIPTION

FIG. 1 is a perspective view of the stand with surgical microscope;

FIG. 2 is a right side elevation view of the stand with surgical microscope;

FIG. 3 is a left side elevation view of the stand with surgical microscope;

FIG. 4 is a bottom plan view of said stand with surgical microscope;

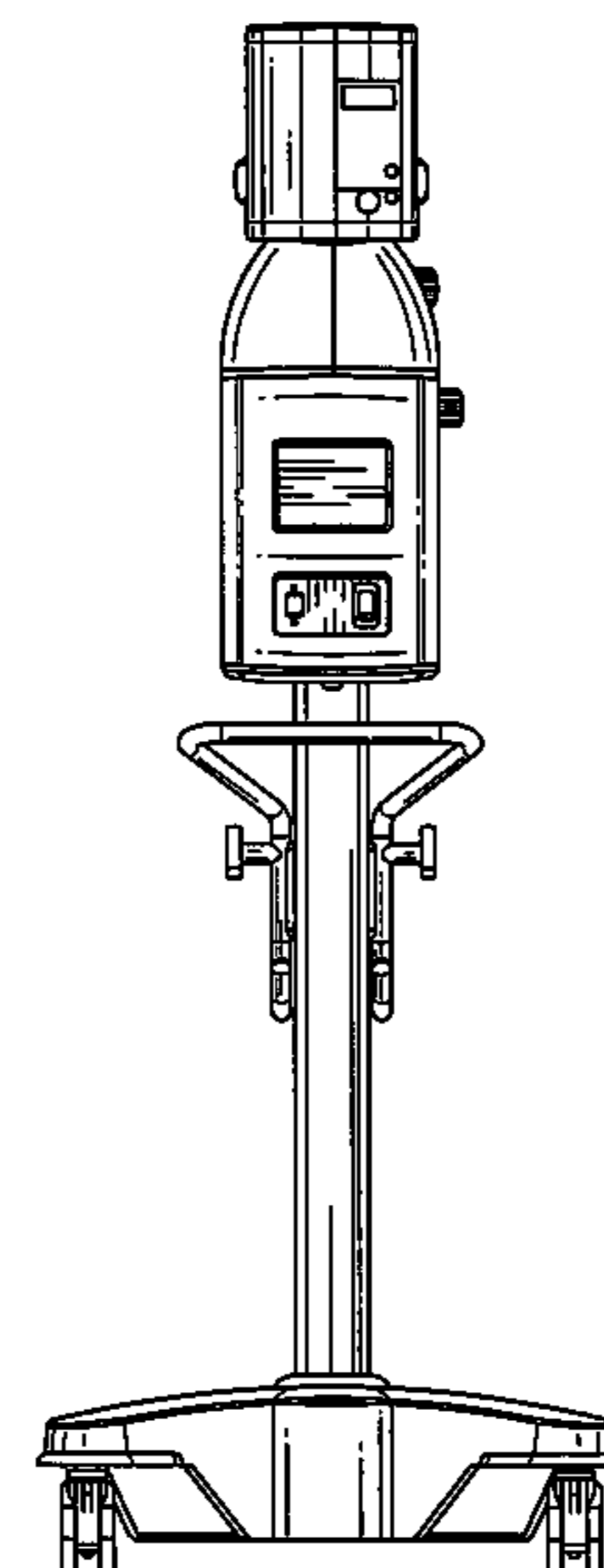
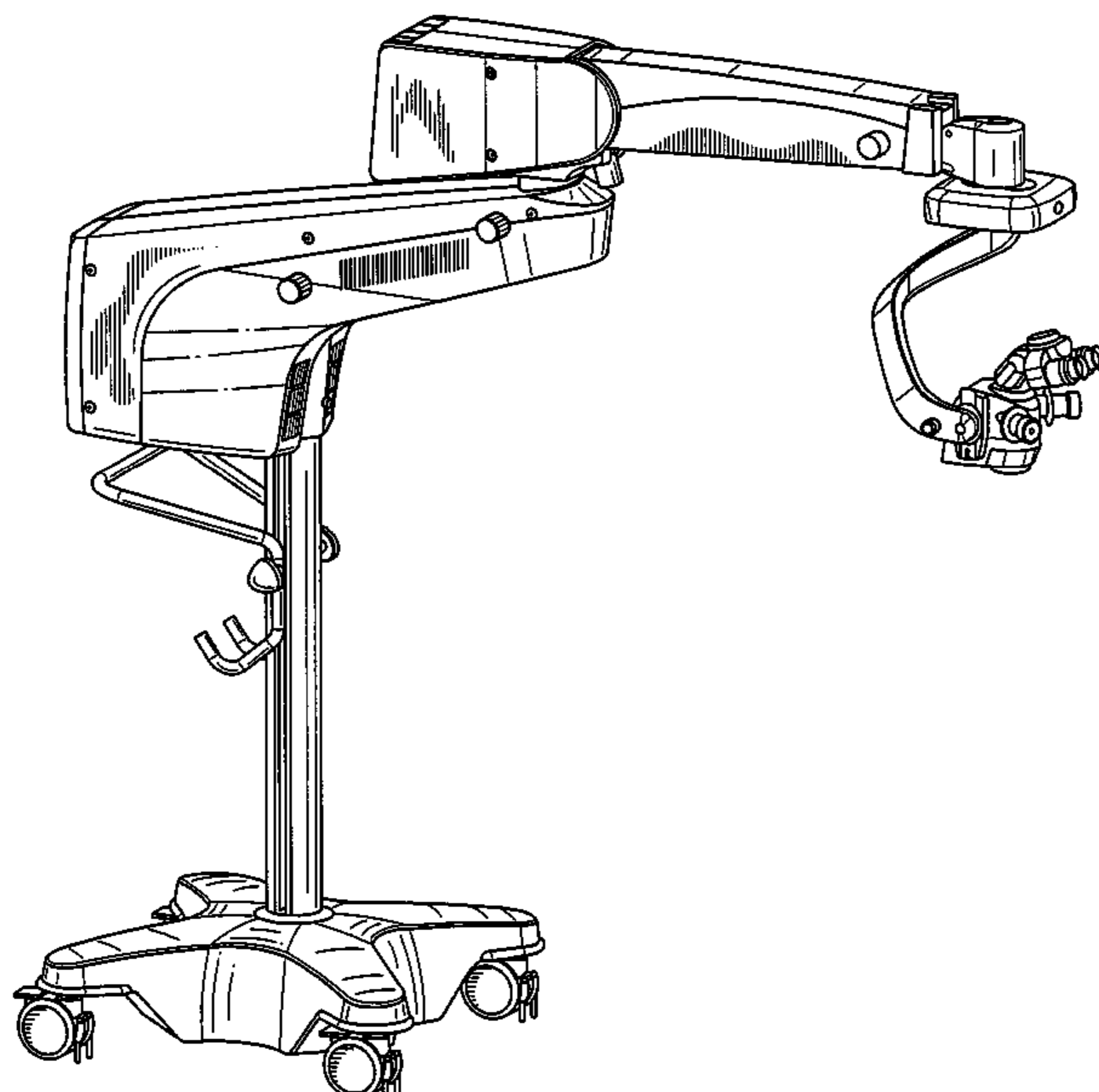
FIG. 5 is a front elevation view of said stand with surgical microscope;

FIG. 6 is a rear elevation view of said stand with surgical microscope; and,

FIG. 7 is a top plan view of said stand with surgical microscope.

In FIG. 4, the elements adjacent the stand, the bottom portion of the stand and the central portion of the casters shown in broken lines form no part of the claimed design.

1 Claim, 7 Drawing Sheets



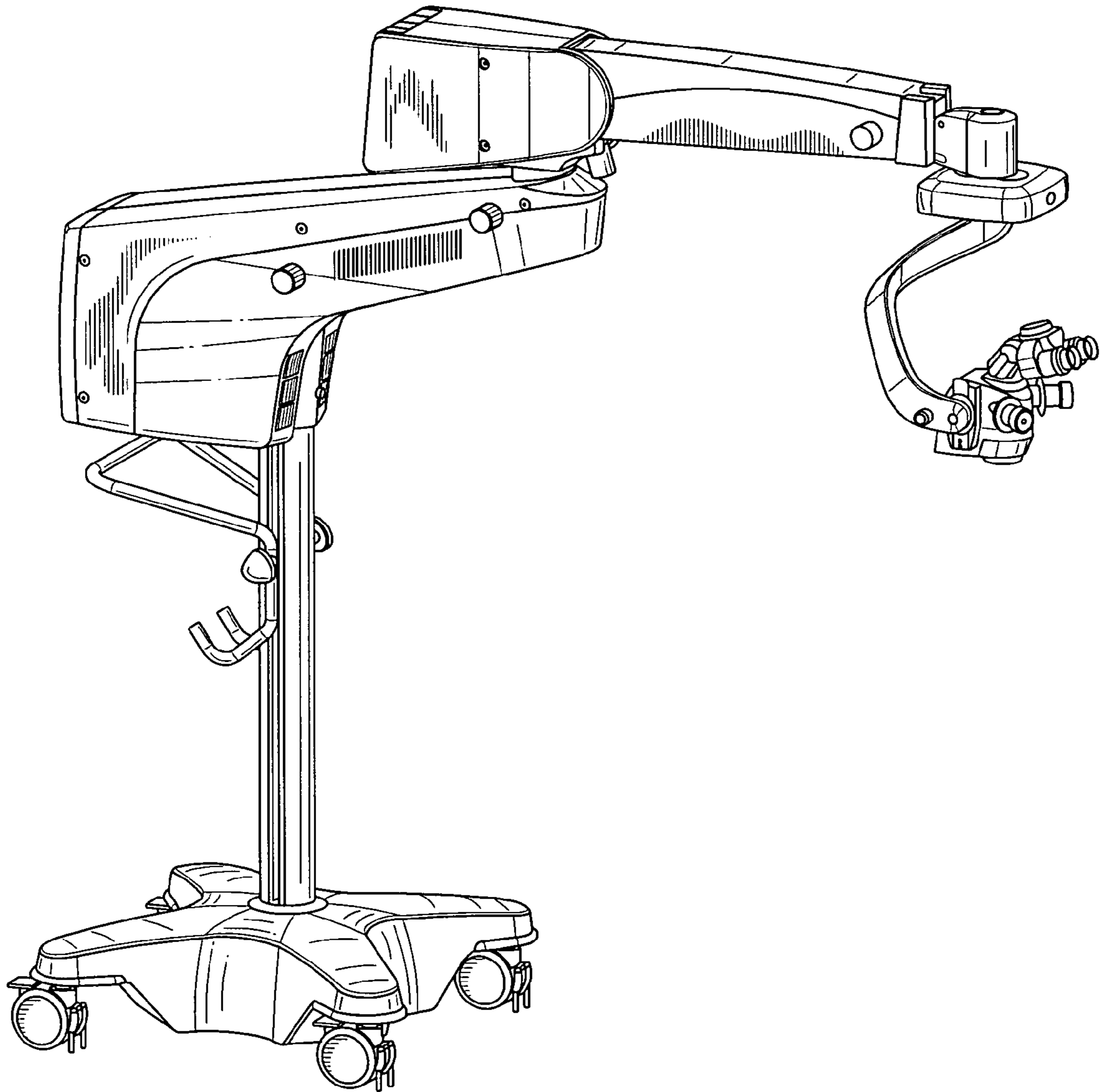


FIG. 1

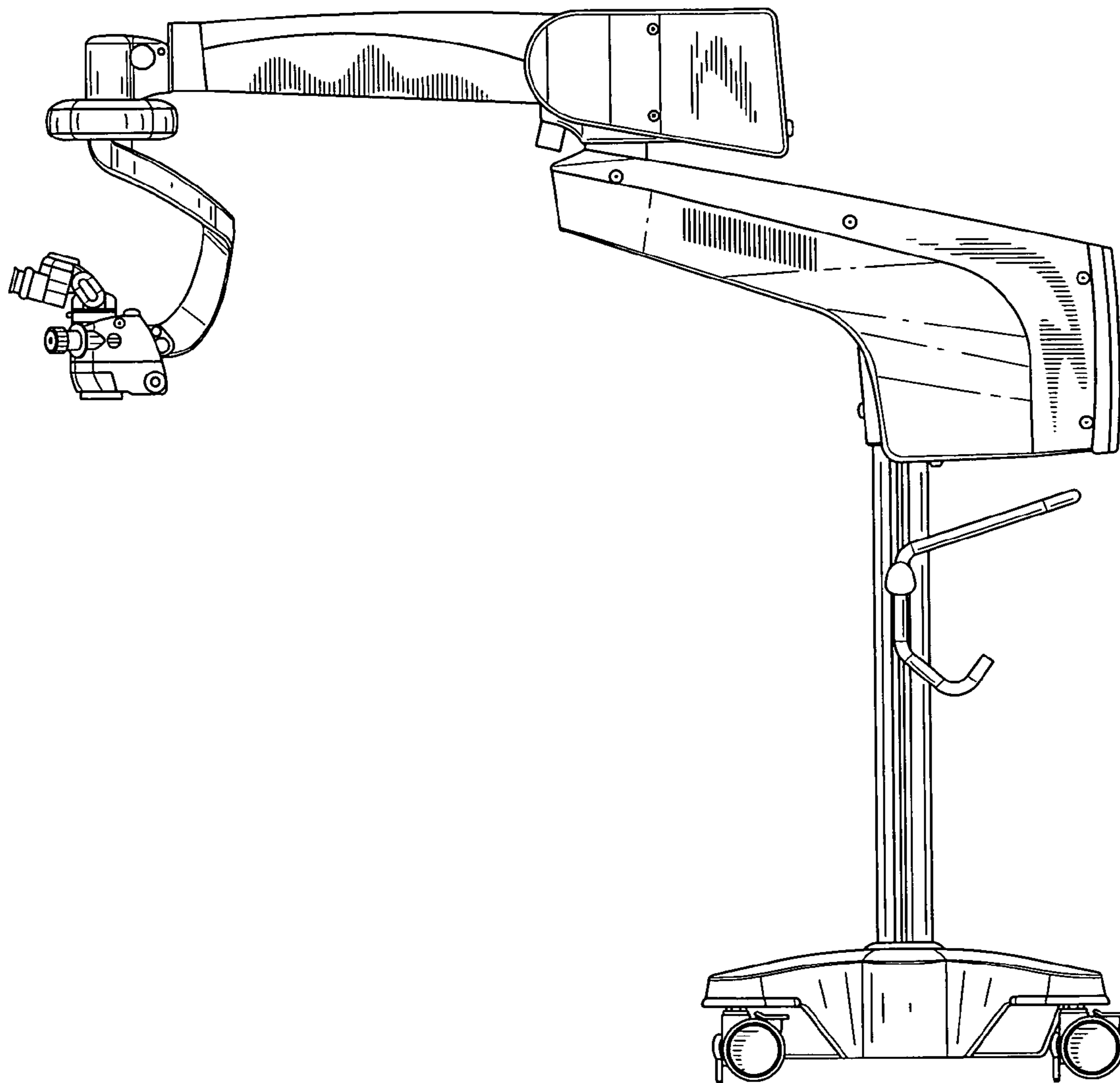


FIG. 2

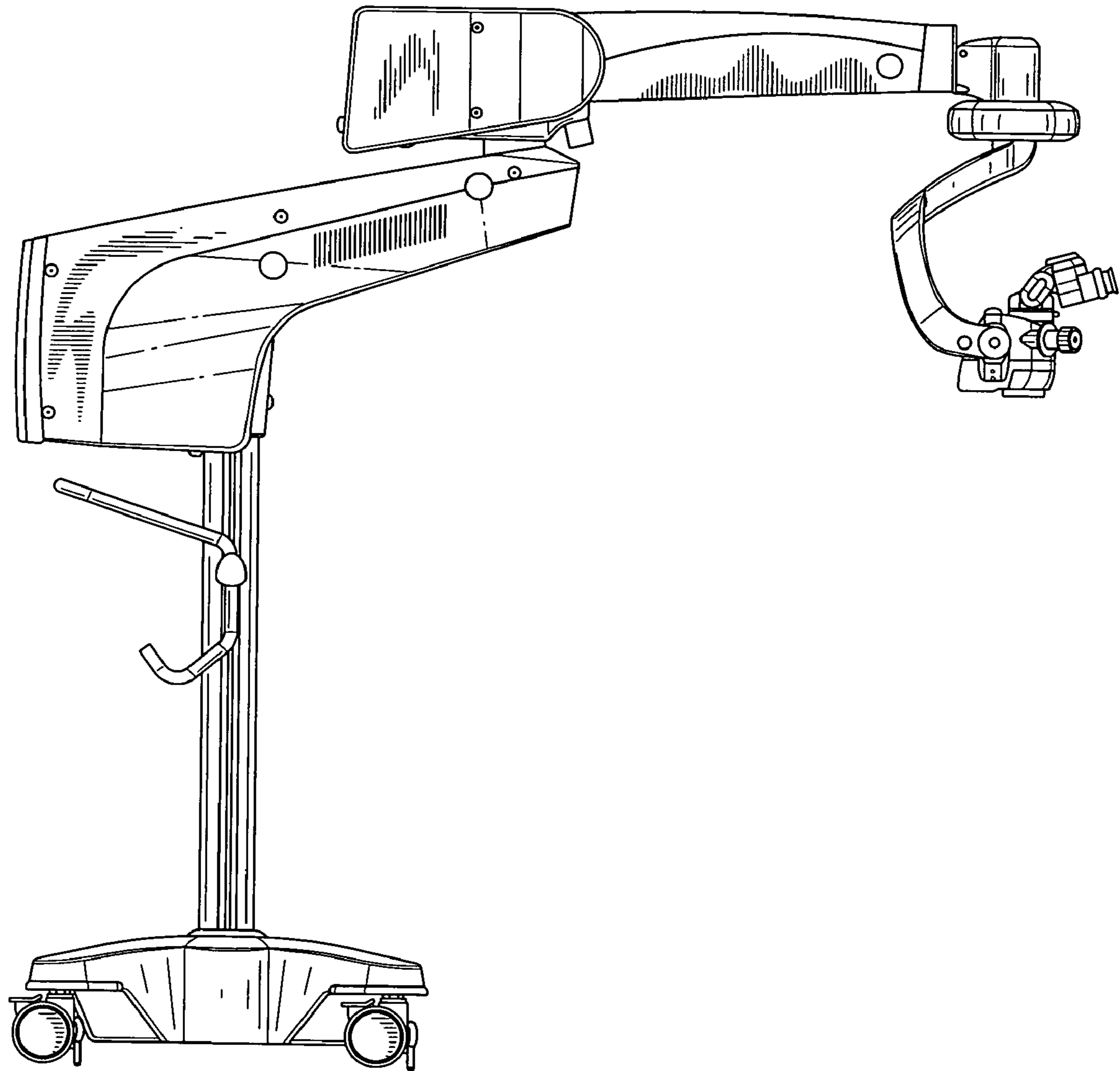


FIG. 3

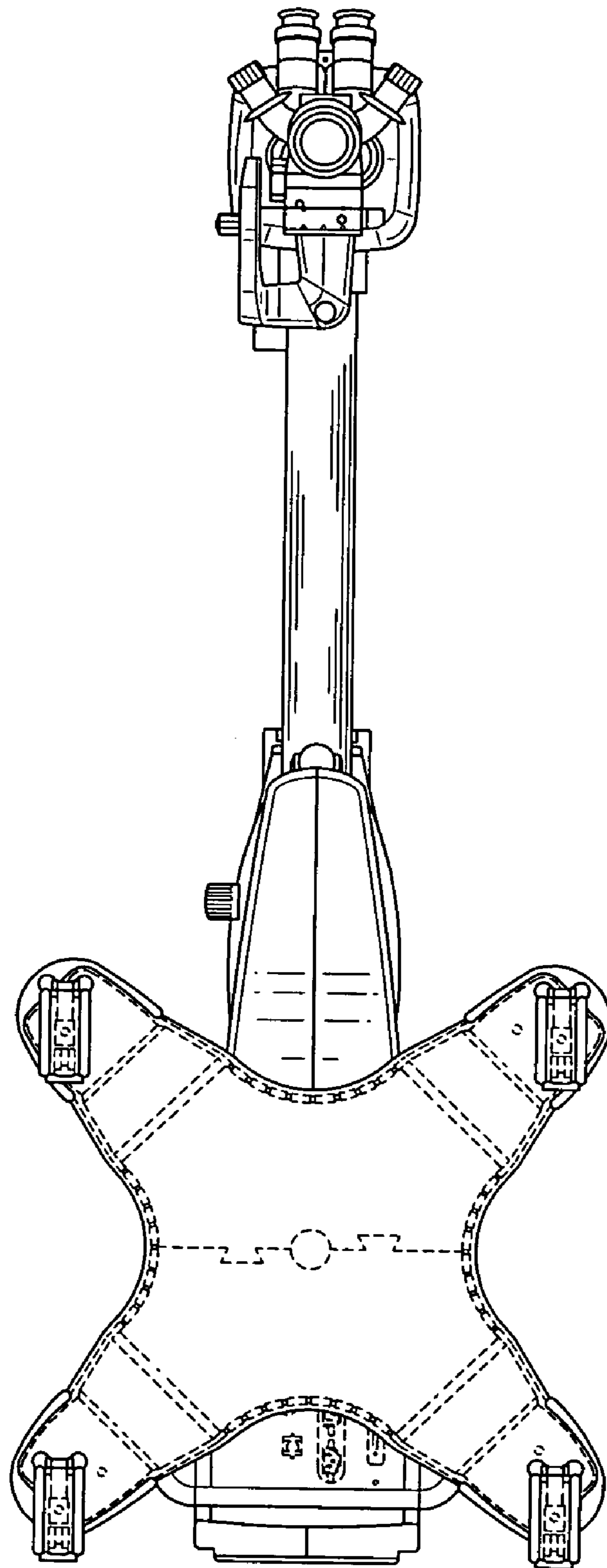


FIG. 4

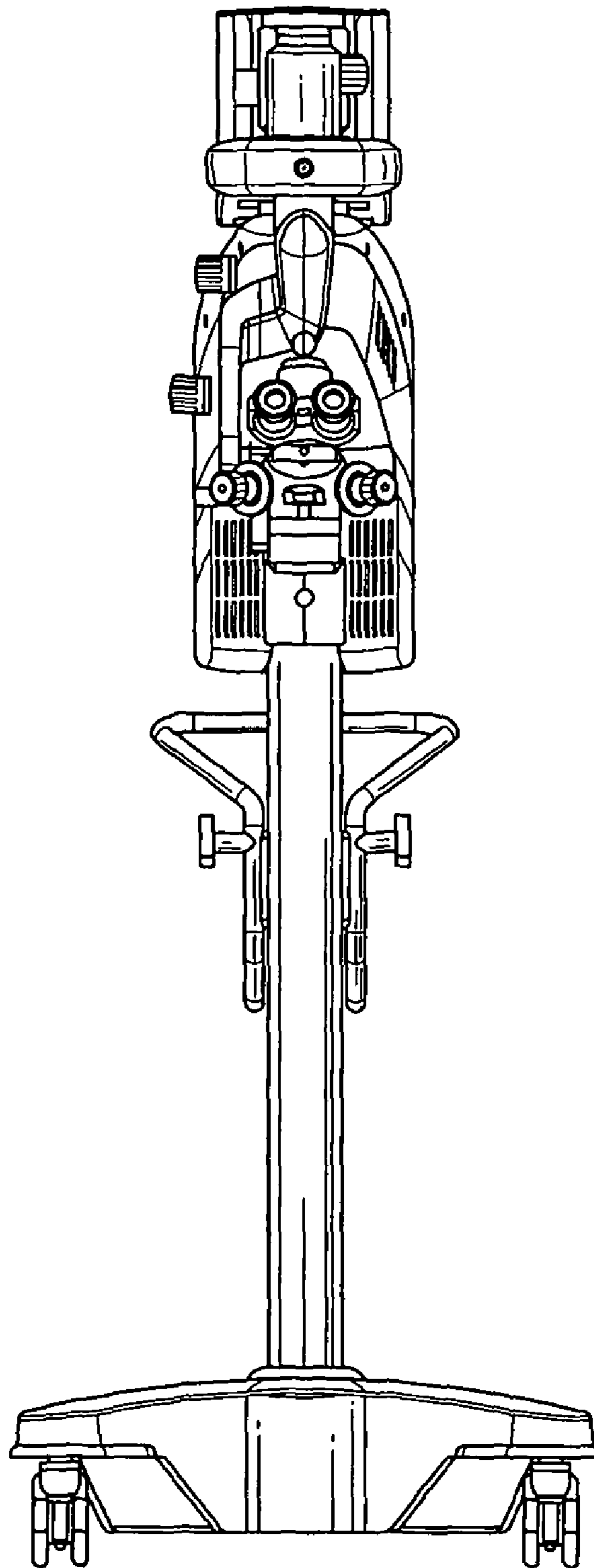


FIG. 5

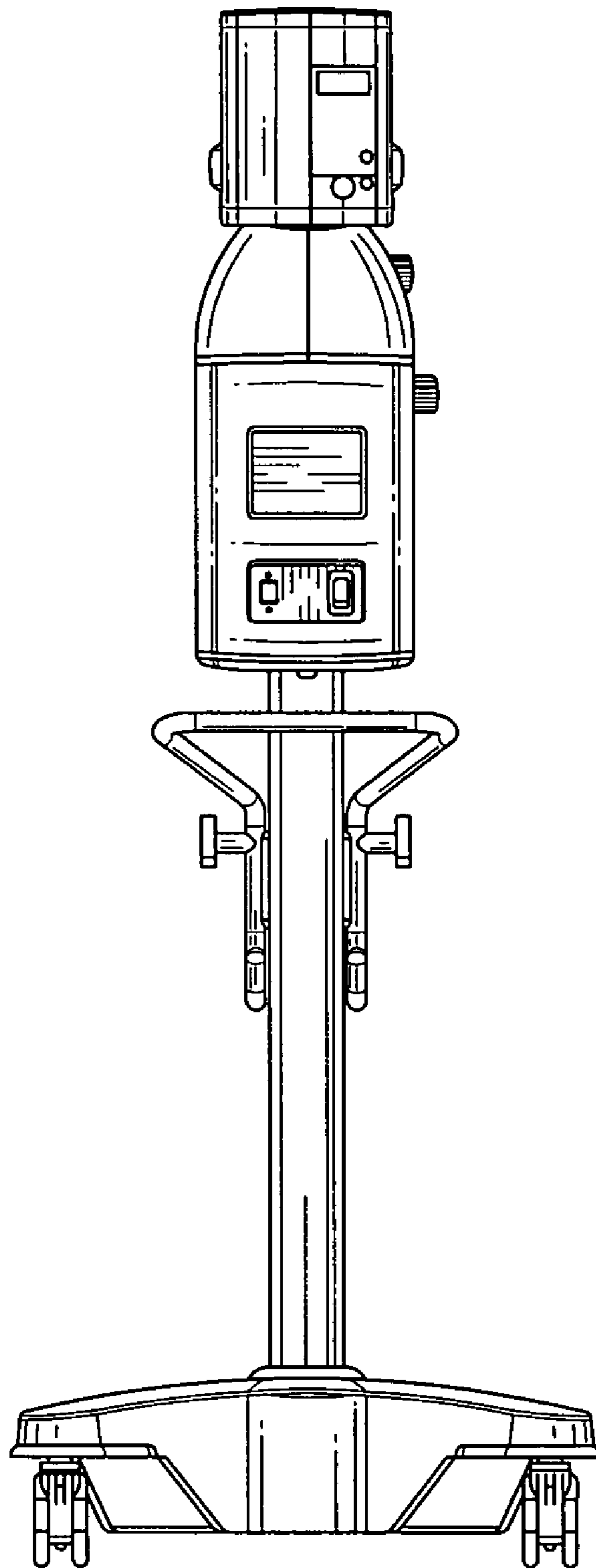


FIG. 6

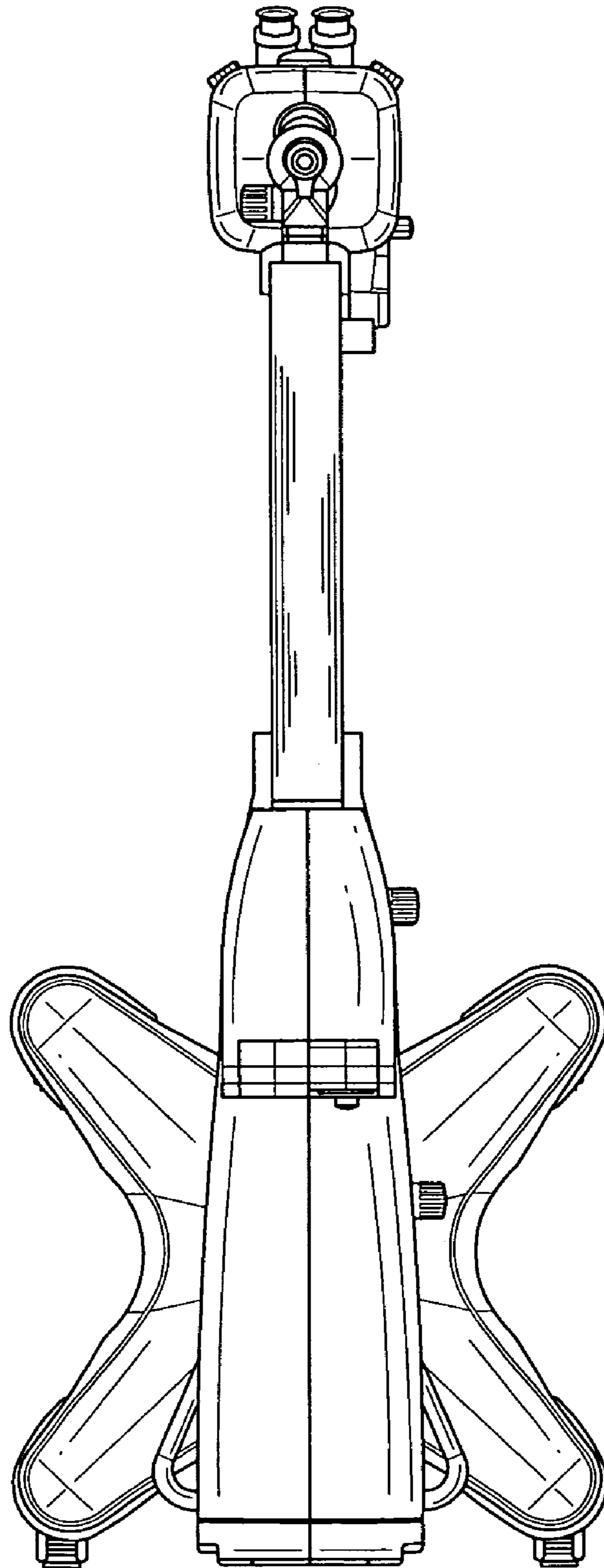


FIG. 7