



US00D623209S

(12) **United States Design Patent**  
**Matuschek et al.**

(10) **Patent No.:** **US D623,209 S**  
(45) **Date of Patent:** **\*\* Sep. 7, 2010**

(54) **FOOT SWITCH CONSOLE FOR USE WITH A SURGICAL MICROSCOPE**

(75) Inventors: **Walter Matuschek**, Aalen (DE); **Tom Raiff**, Illerkirchberg-Oberkirchberg (DE)

(73) Assignee: **Carl Zeiss Surgical GmbH**, Oberkochen (DE)

(\*\*) Term: **14 Years**

(21) Appl. No.: **29/311,639**

(22) Filed: **May 12, 2009**

(30) **Foreign Application Priority Data**

Nov. 12, 2008 (EM) ..... 001037501

(51) **LOC (9) Cl.** ..... **16-99**

(52) **U.S. Cl.** ..... **D16/130; D13/167**

(58) **Field of Classification Search** ..... D16/130, D16/131, 235, 245; D13/167; D15/72, 66, D15/78; D17/20, 99; D28/56, 61; D24/209, D24/212, 213, 232; D12/125; 606/1, 32, 606/41; 200/86.5; 307/119; 74/512, 560  
See application file for complete search history.

(56) **References Cited**

**U.S. PATENT DOCUMENTS**

D264,848	S *	6/1982	Hanyu	.....	D13/167
5,554,894	A *	9/1996	Sepielli	.....	307/119
5,580,347	A *	12/1996	Reimels	.....	604/30
D400,560	S *	11/1998	Ridinger	.....	D17/20
6,452,123	B1 *	9/2002	Chen	.....	200/86.5
6,689,975	B2 *	2/2004	Metzler et al.	.....	200/86.5
6,862,951	B2 *	3/2005	Peterson et al.	.....	74/560
6,962,581	B2 *	11/2005	Thoe	.....	606/1
7,019,234	B1 *	3/2006	Mezhinsky et al.	.....	200/86.5
7,470,277	B2 *	12/2008	Finlay et al.	.....	606/166

\* cited by examiner

*Primary Examiner*—Paula Greene

(74) *Attorney, Agent, or Firm*—Walter Ottesen

(57) **CLAIM**

The ornamental design for a foot switch console for use with a surgical microscope, as shown and described.

**DESCRIPTION**

FIG. 1 is a front end elevation view of the foot switch console according to an embodiment of our design;

FIG. 2 is a rear end elevation view of the foot switch console of FIG. 1;

FIG. 3 is a left side elevation view of the foot switch console of FIG. 1;

FIG. 4 is a right side elevation view of the foot switch console of FIG. 1;

FIG. 5 is a top plan view of the foot switch console of FIG. 1;

FIG. 6 is a bottom plan view of the foot switch console of FIG. 1;

FIG. 7 is a perspective view of the foot switch console of FIG. 1;

FIG. 8 is a front end elevation view of an alternate embodiment of the foot switch console of our design;

FIG. 9 is a rear end elevation view of the foot switch console of FIG. 8;

FIG. 10 is a left side elevation view of the foot switch console of FIG. 8;

FIG. 11 is a right side elevation view of the foot switch console of FIG. 8;

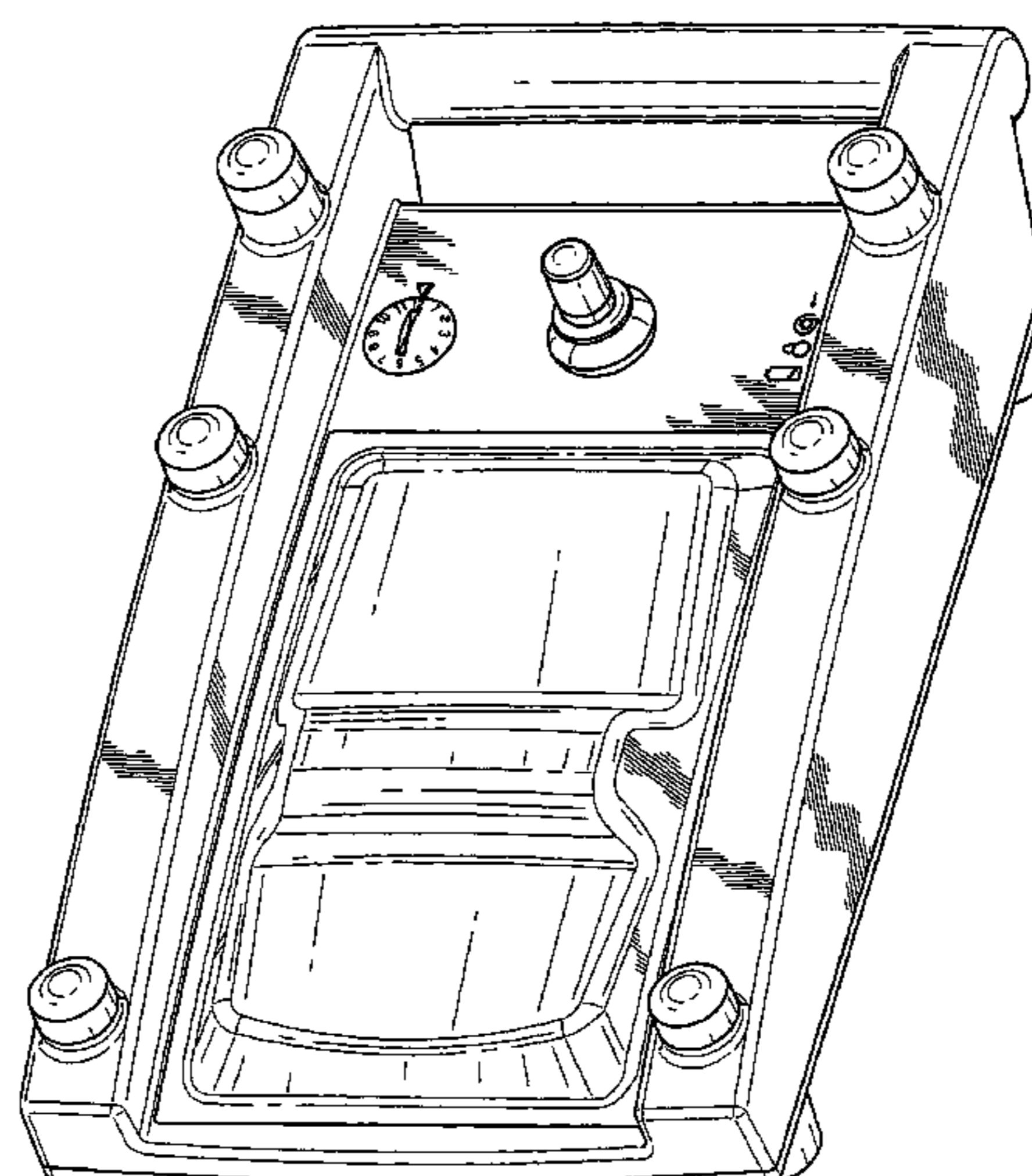
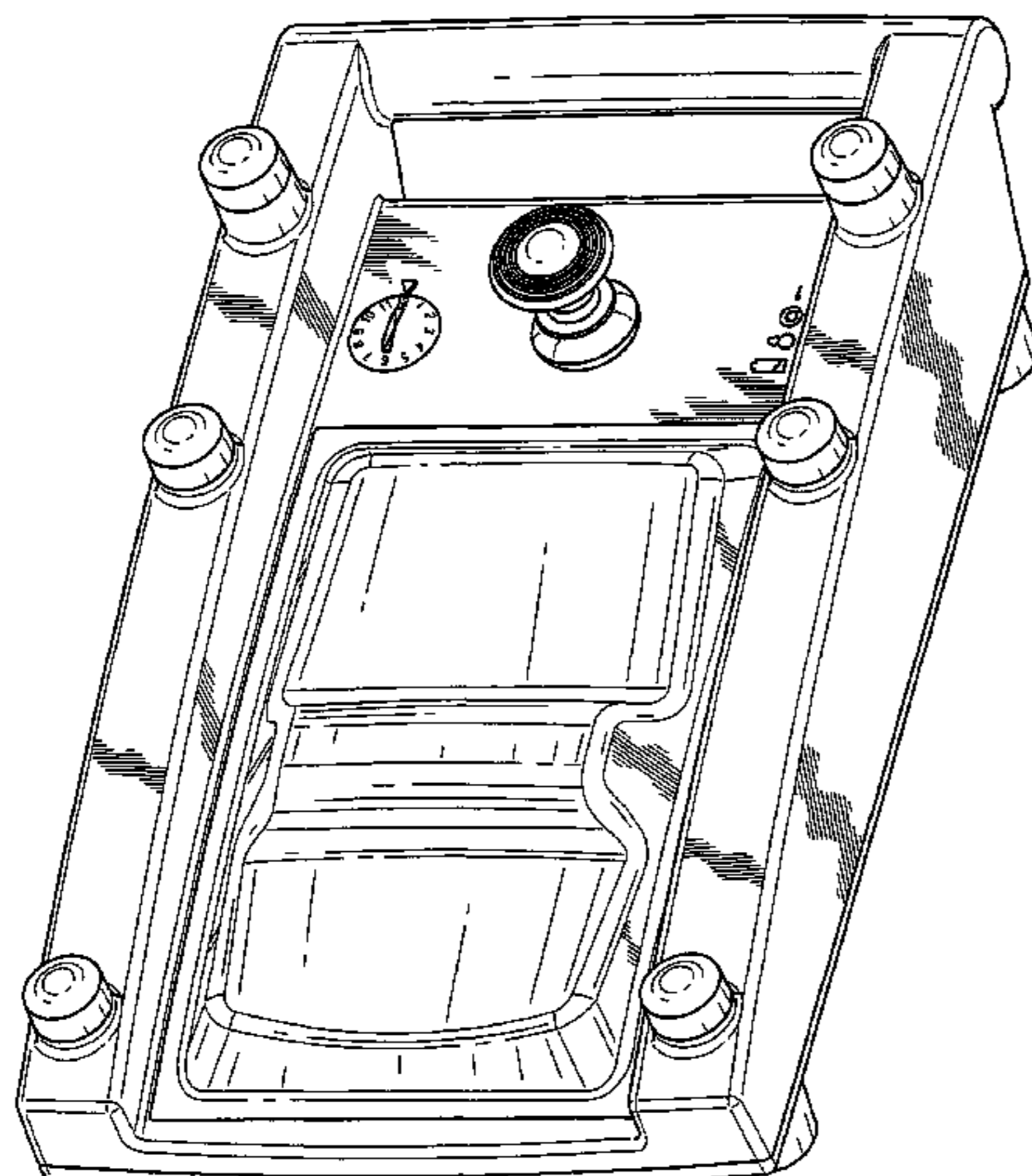
FIG. 12 is a top plan view of the foot switch console of FIG. 8;

FIG. 13 is a bottom plan view of the foot switch console of FIG. 8; and,

FIG. 14 is a perspective view of the foot switch console of FIG. 8.

The portion of the base of the foot switch console shown in broken lines forms no part of the claimed design.

**1 Claim, 14 Drawing Sheets**



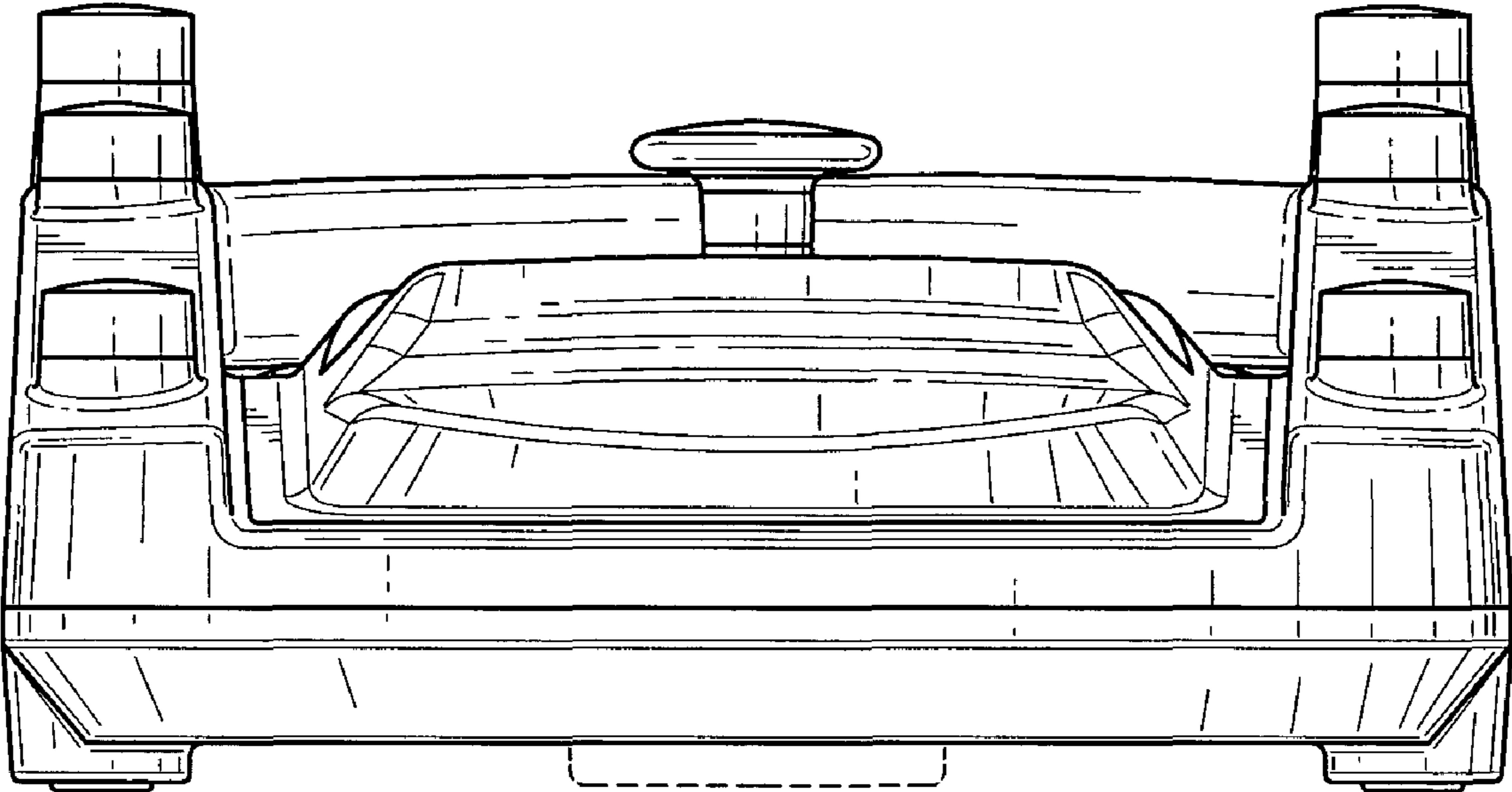


FIG. 1

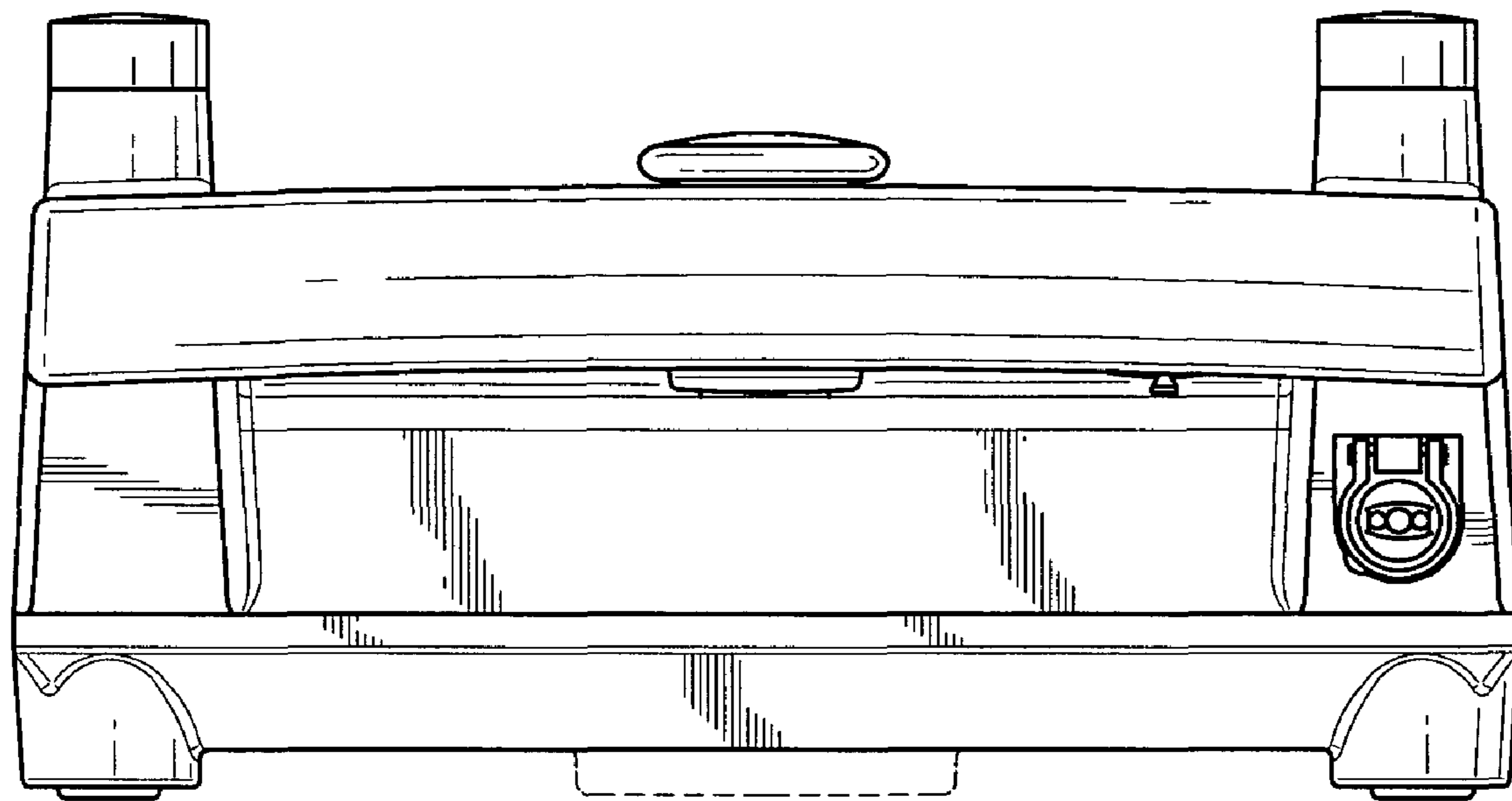


FIG. 2

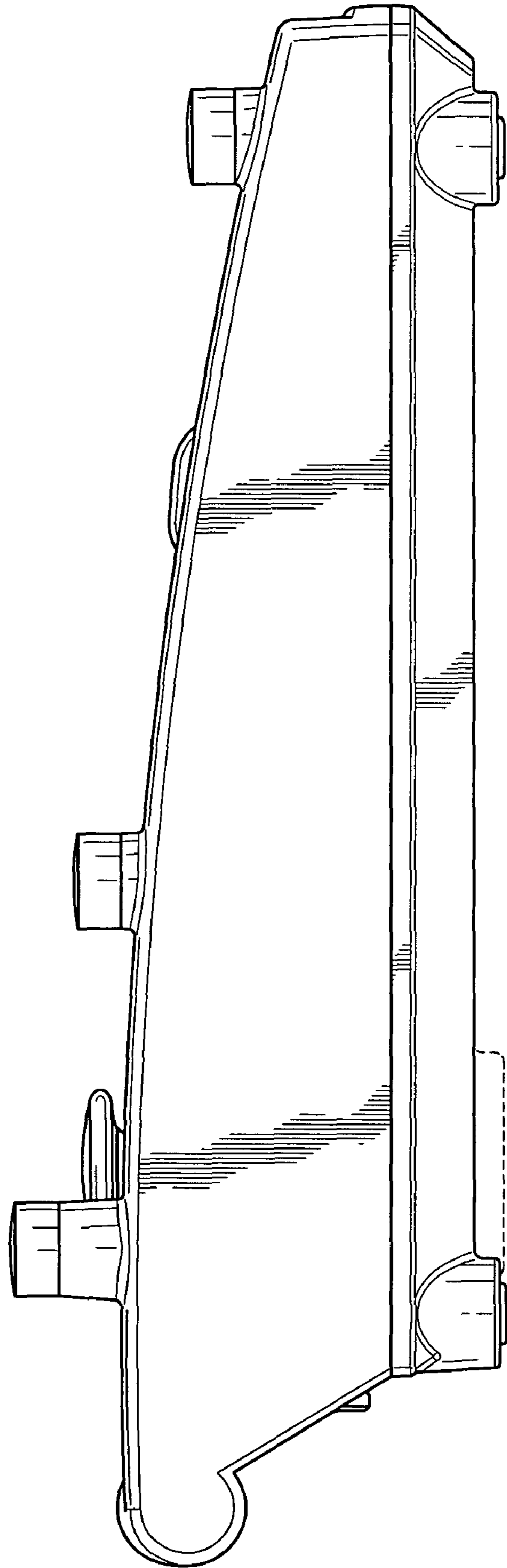


FIG. 3

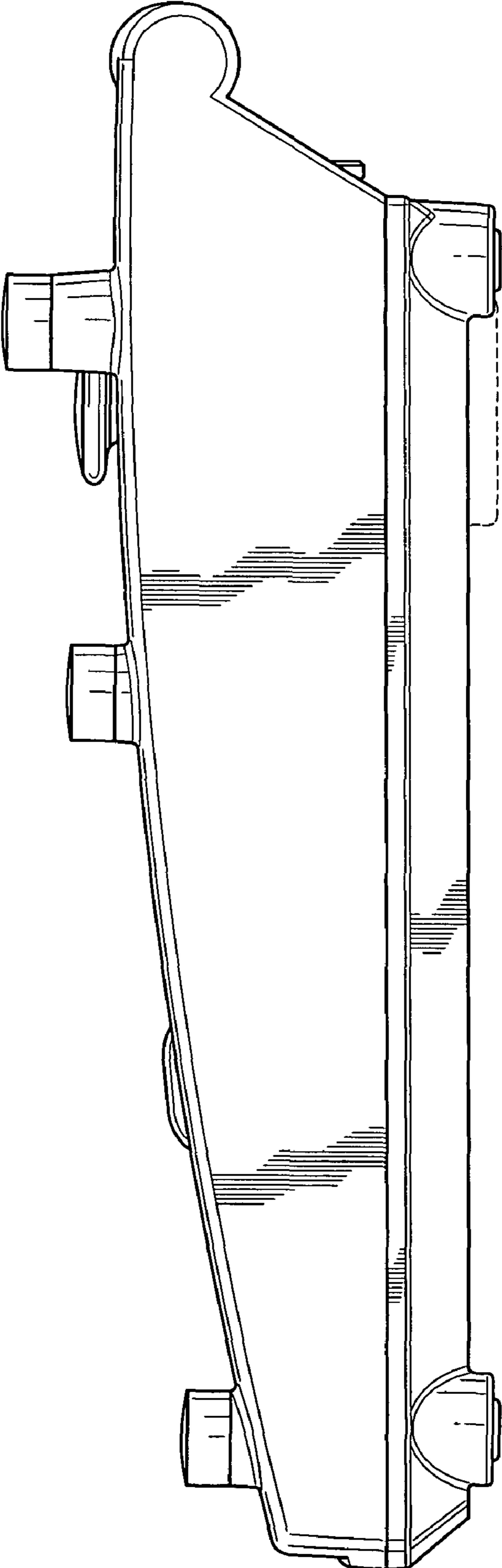


FIG. 4

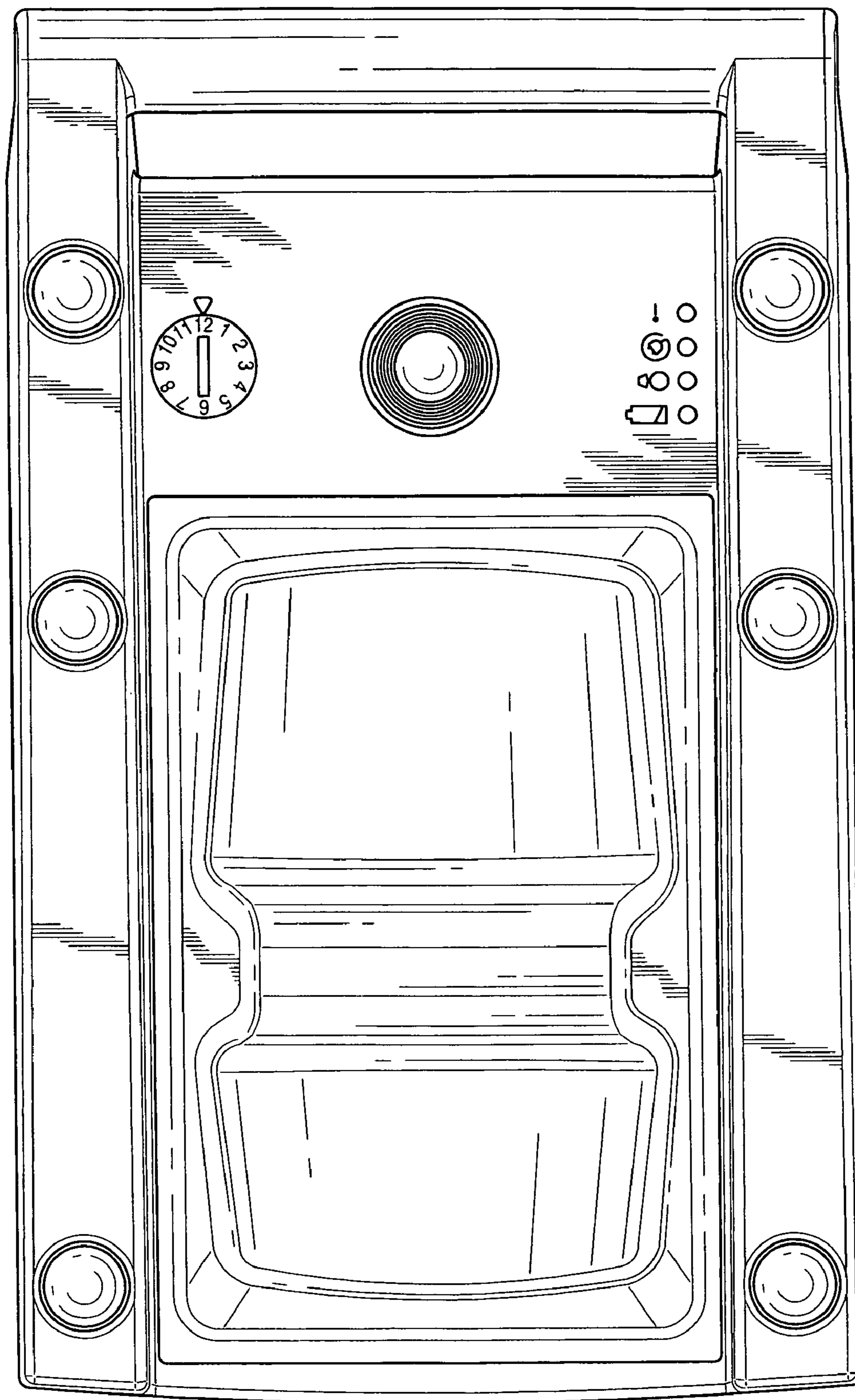


FIG. 5

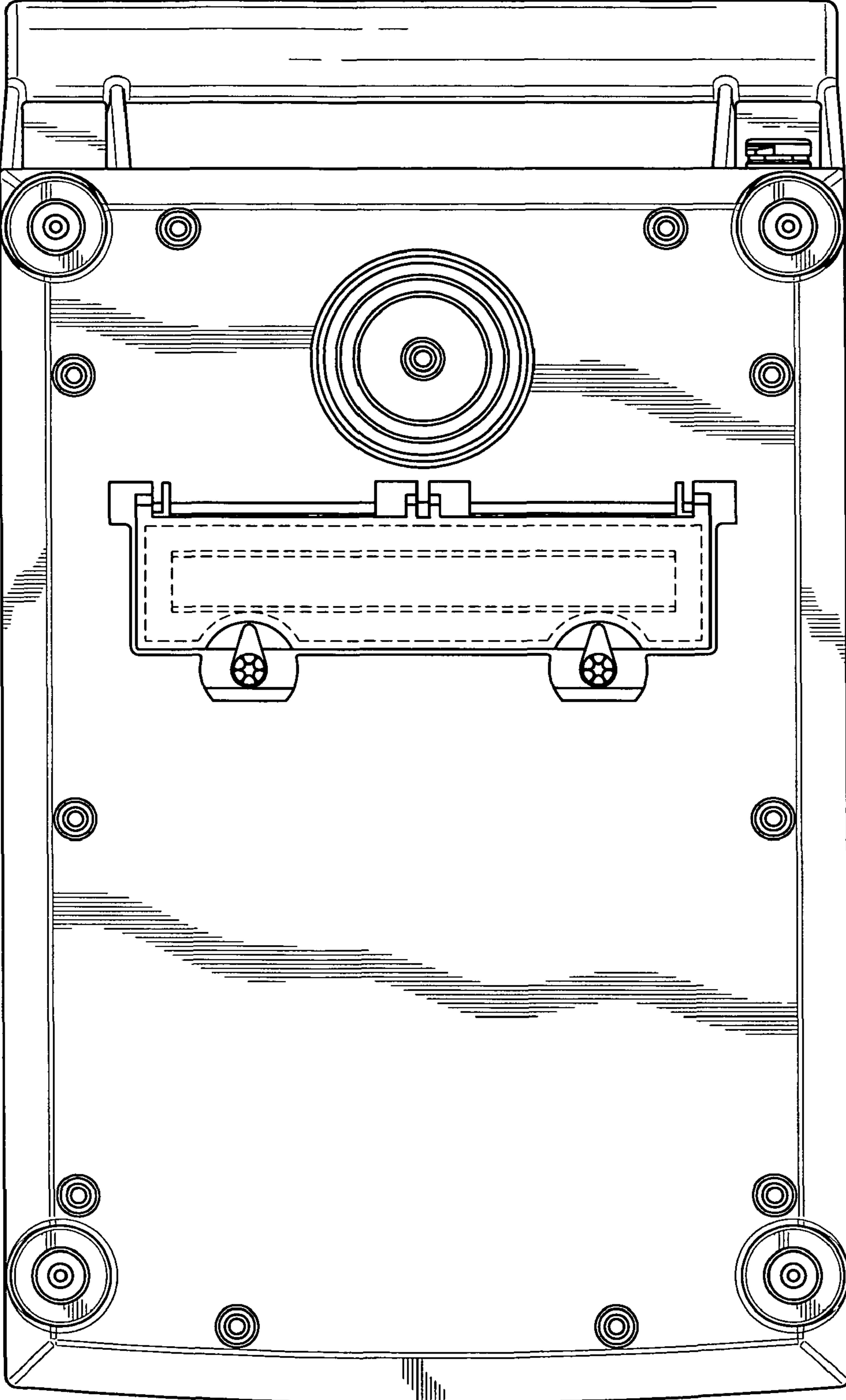


FIG. 6

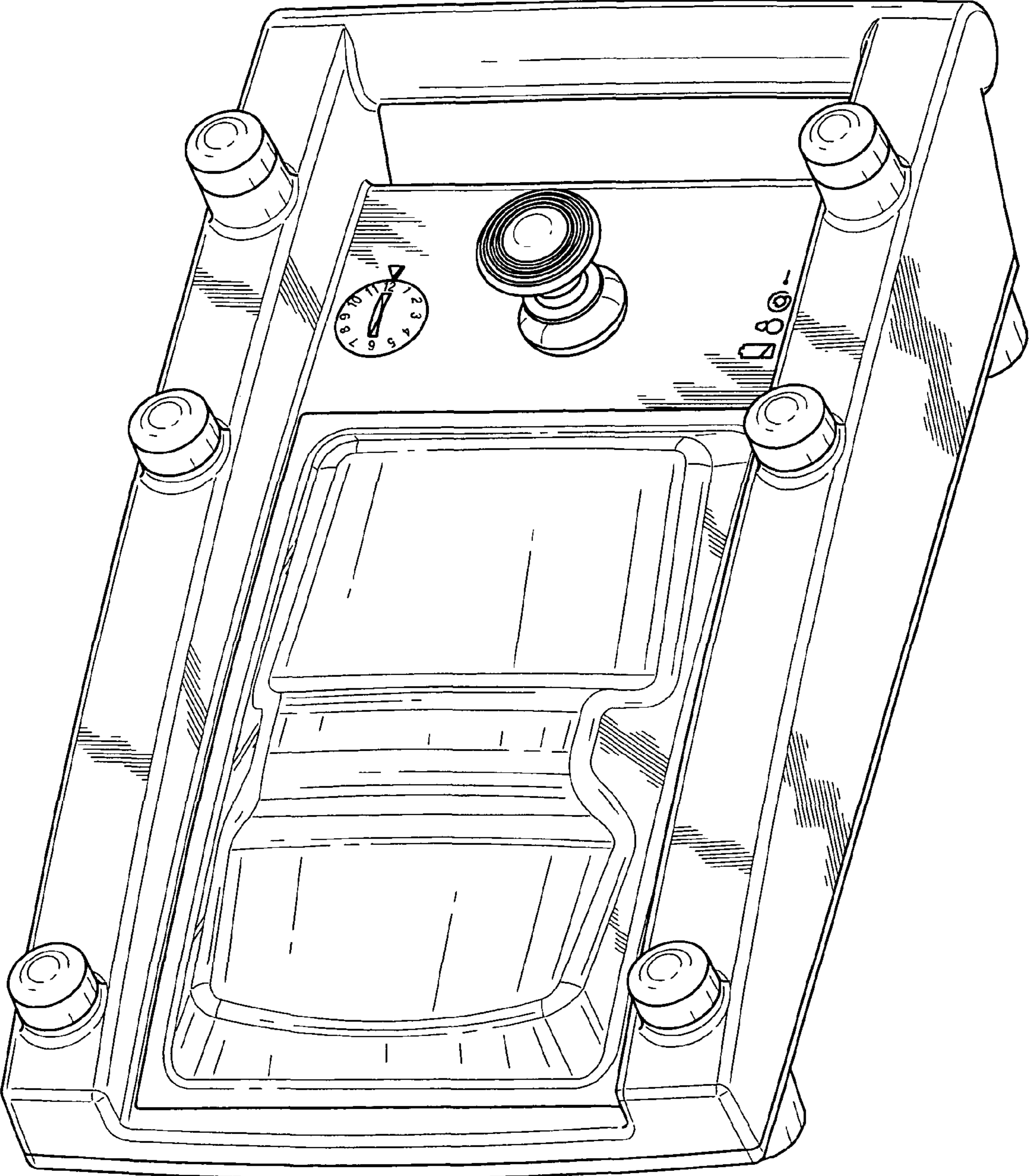


FIG. 7



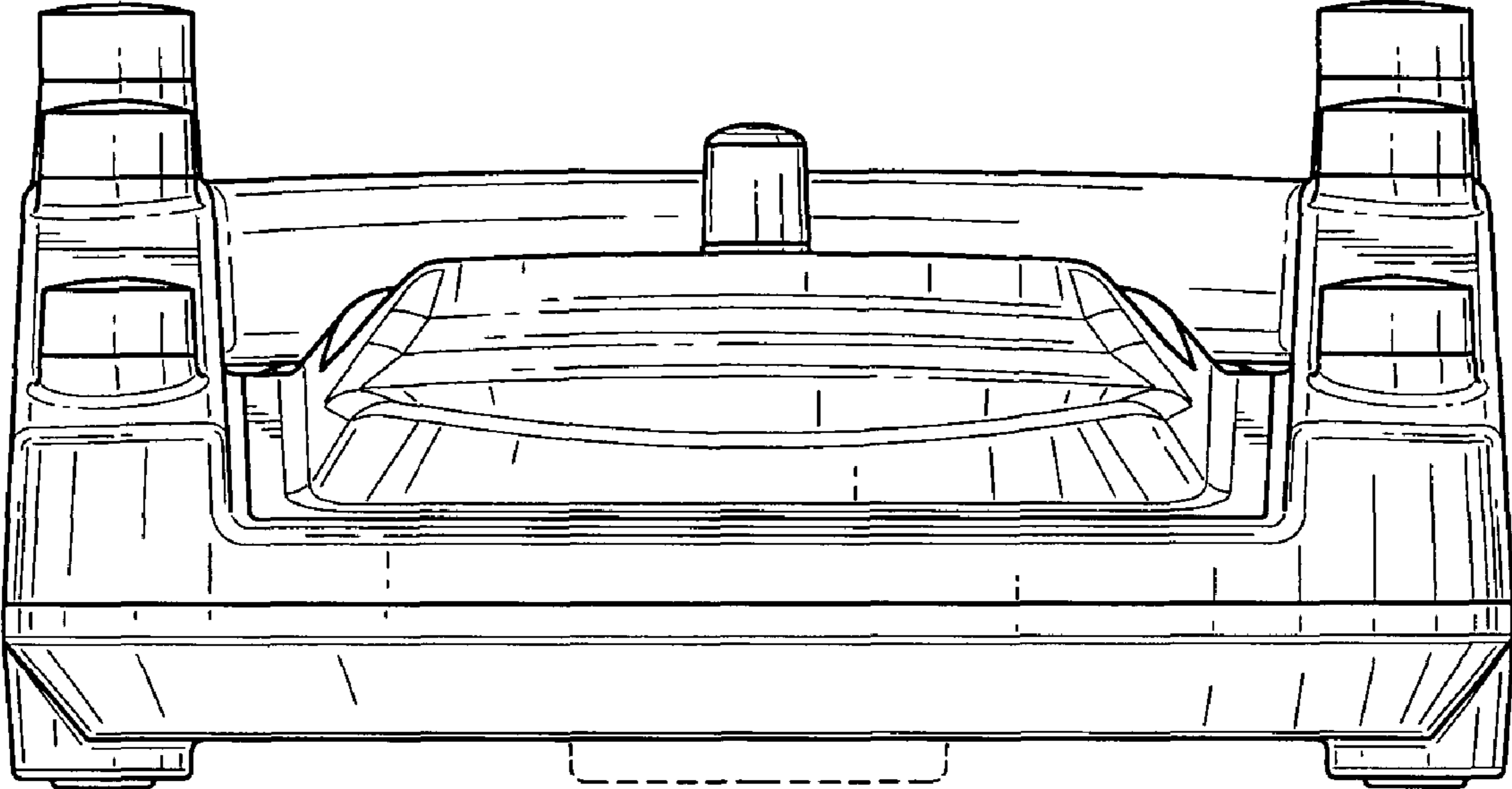


FIG. 8

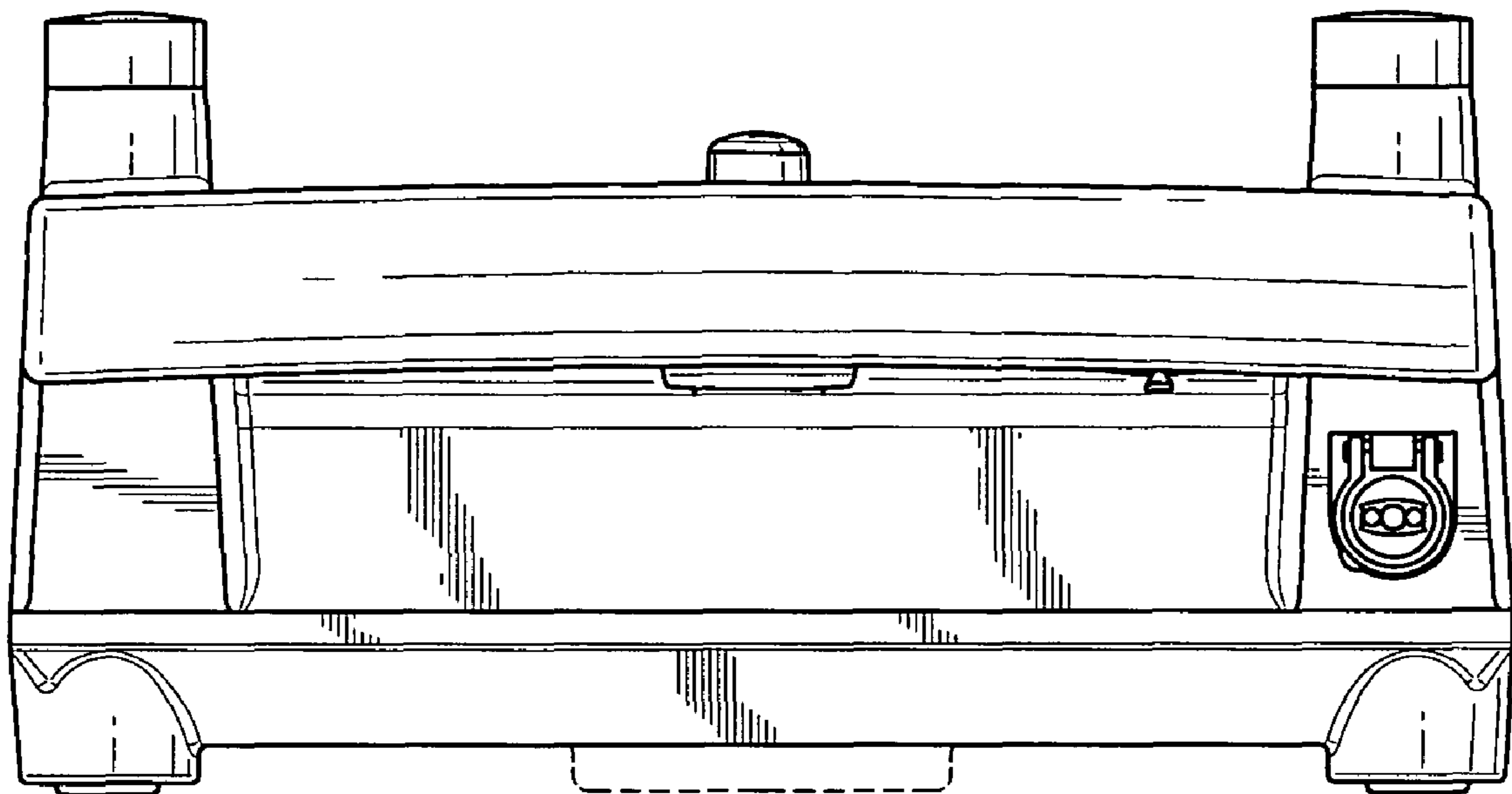


FIG. 9

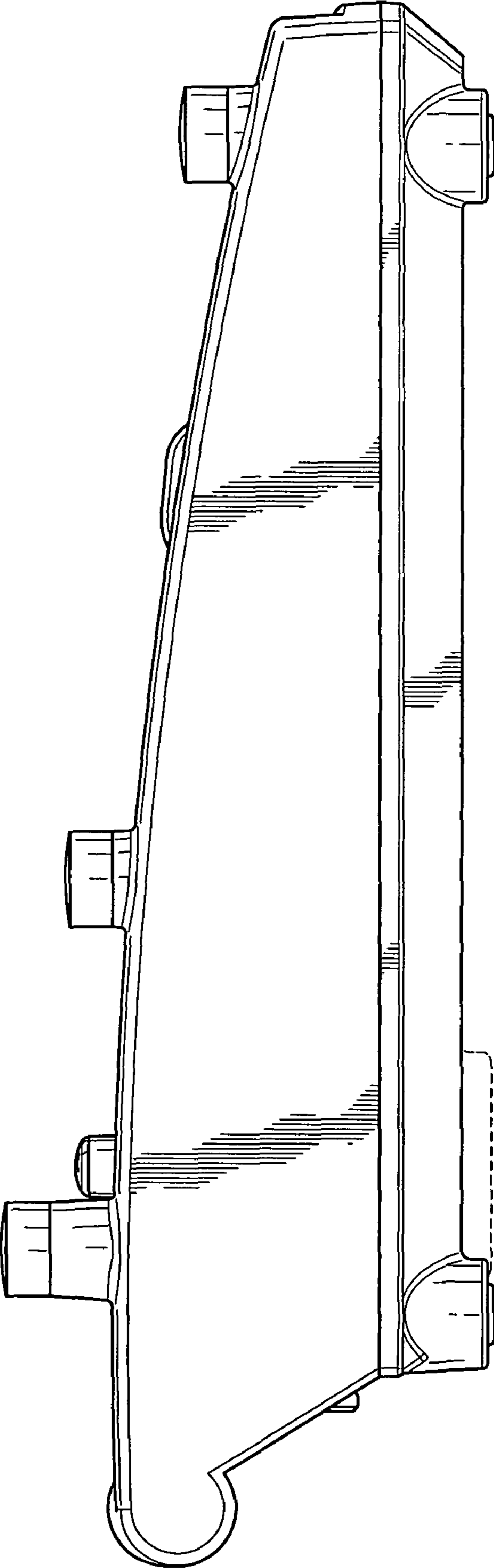


FIG. 10

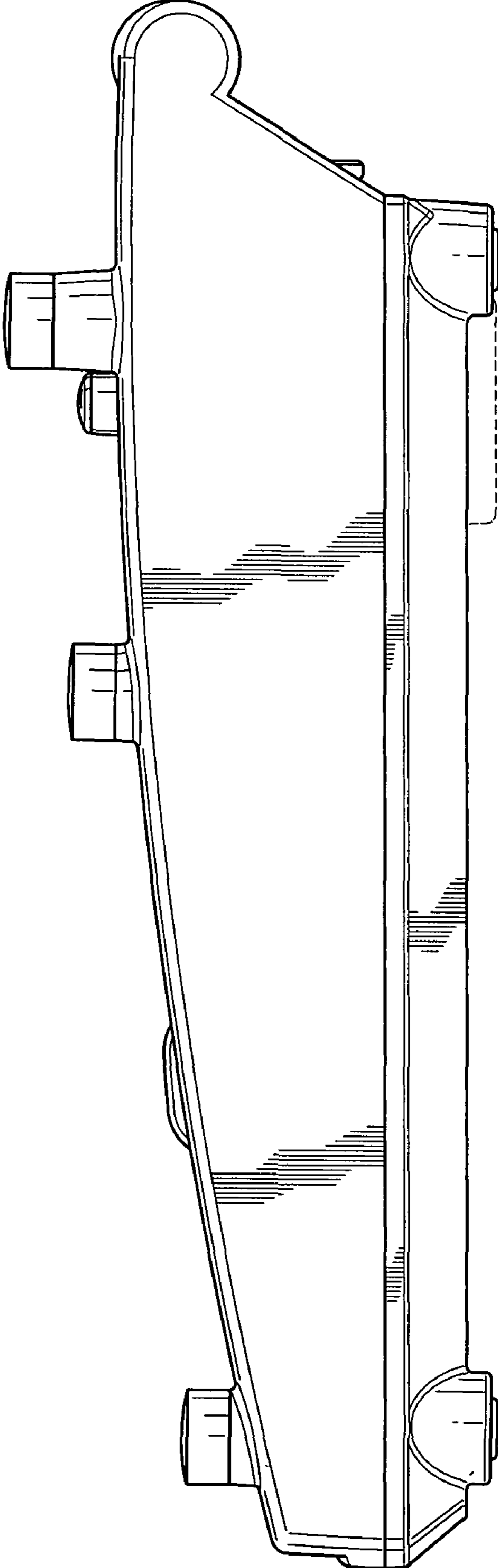


FIG. 11

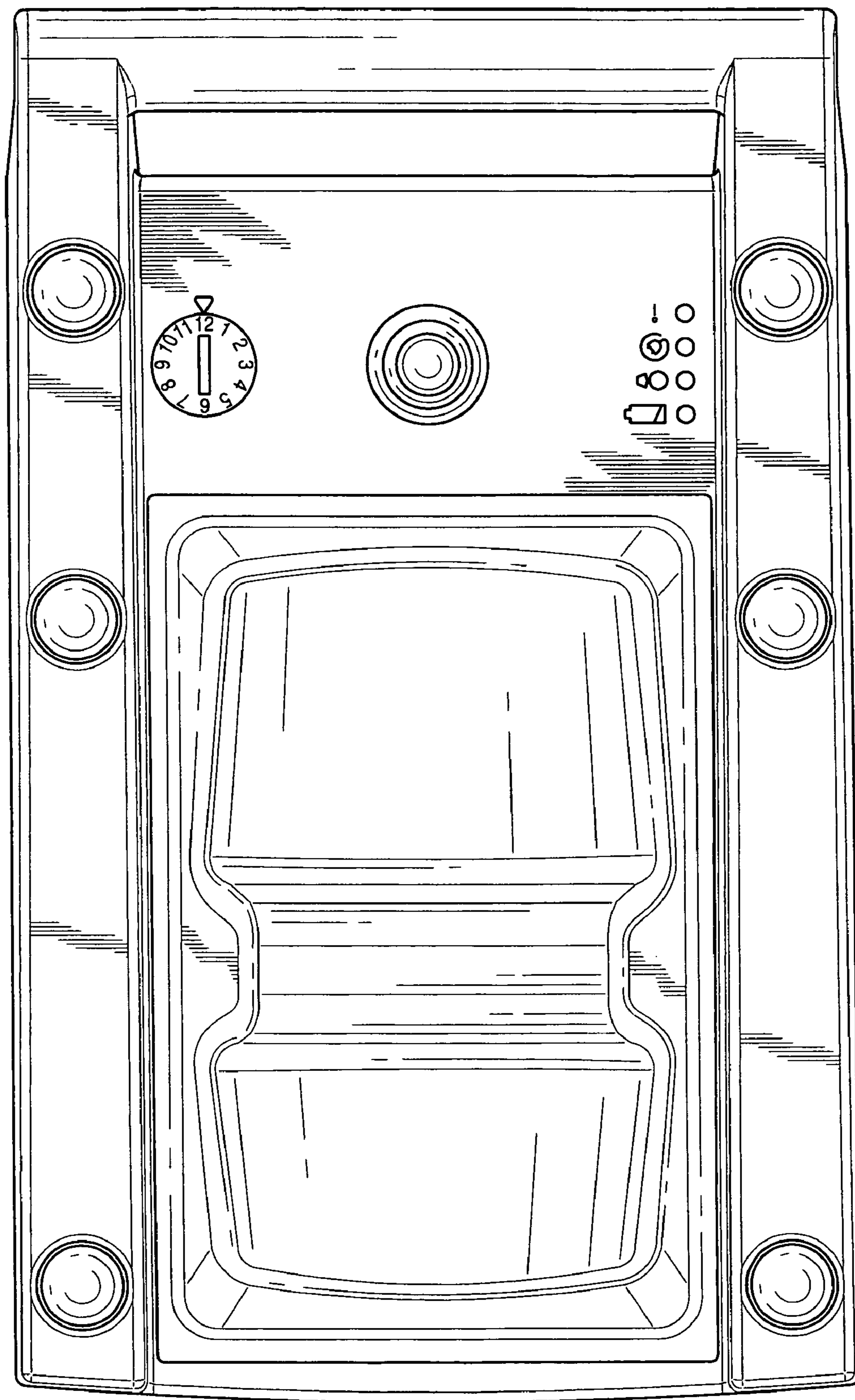


FIG. 12

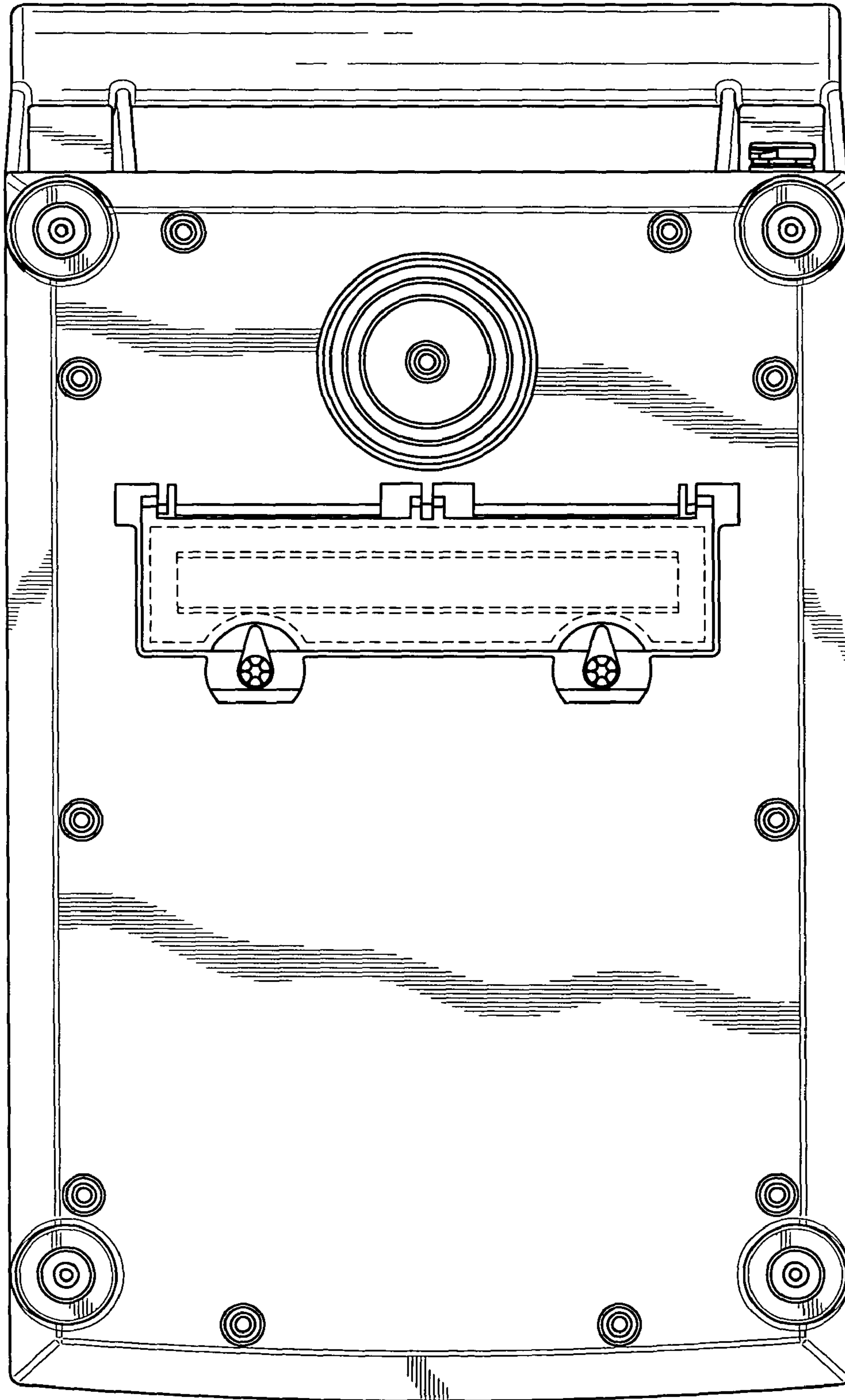


FIG. 13

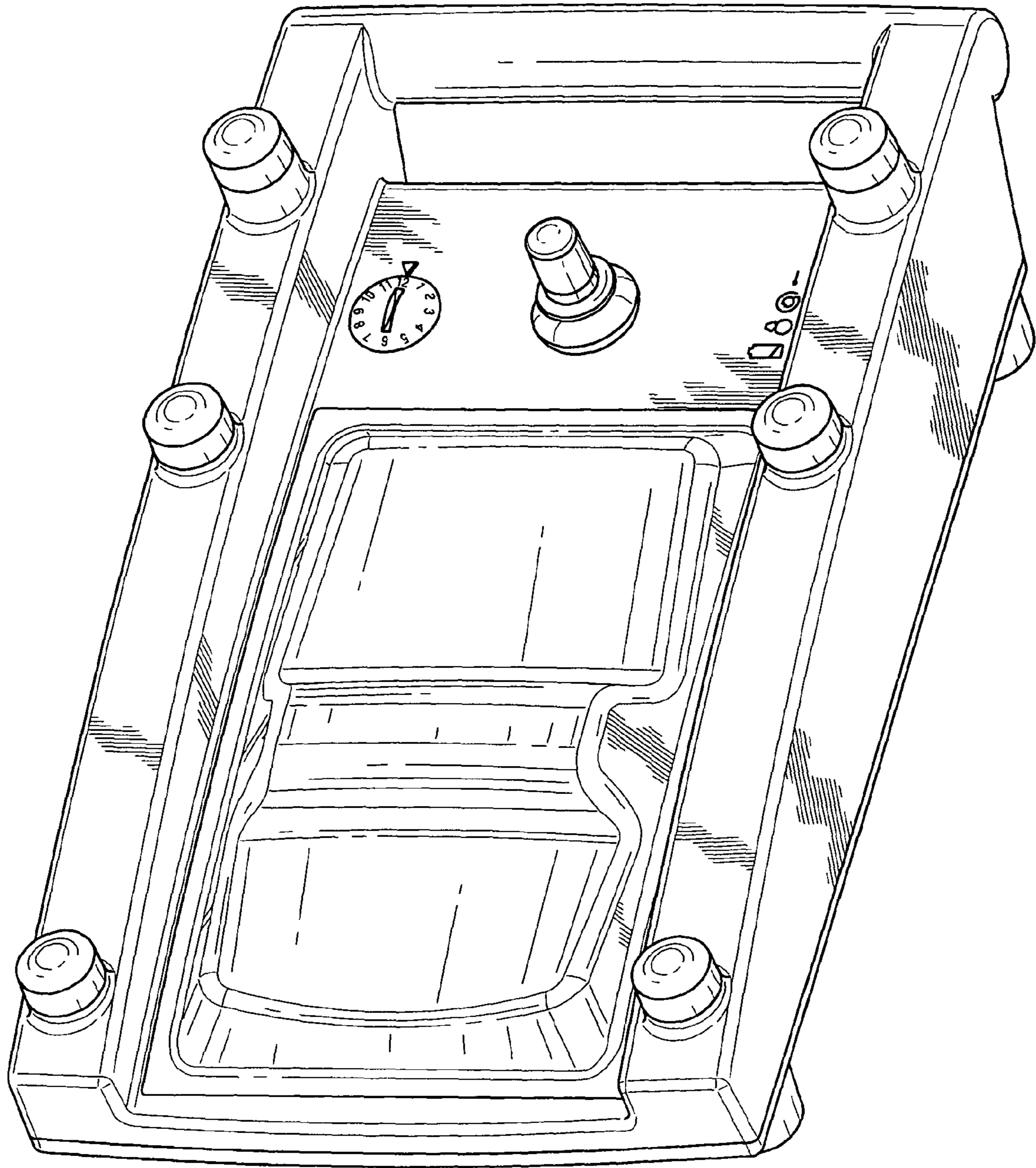


FIG. 14