



US00D623205S

(12) **United States Design Patent**  
**Flattinger et al.**

(10) **Patent No.:** **US D623,205 S**

(45) **Date of Patent:** **\*\* Sep. 7, 2010**

(54) **ACCESSORY FOR A WELDING MACHINE**

(75) Inventors: **Guenther Flattinger**, Pasching (AT);  
**Julia Huemer**, Kirchdorf (AT); **Stefan Kammerer**, Gunskirchen (AT); **Andreas Maderboeck**, Buchkirchen (AT);  
**Friedrich Oberzaucher**, Wels (AT); **Guenther Sklarski**, Sipbachzell (AT);  
**Peter Oberroither**, Wels (AT); **Manfred Stadler**, Pettenbach (AT)

(73) Assignee: **Fronius International GmbH**,  
Pettenbach (AT)

(\*\*) Term: **14 Years**

(21) Appl. No.: **29/348,003**

(22) Filed: **Nov. 17, 2009**

(30) **Foreign Application Priority Data**

May 18, 2009 (EM) ..... 001138325-0007

(51) **LOC (9) Cl.** ..... **15-09**

(52) **U.S. Cl.** ..... **D15/144**

(58) **Field of Classification Search** ..... D8/30,  
D8/61-69; D15/144, 144.1, 144.2; 174/50.56,  
174/50.59; 219/1 A, 130.1; 336/182, 195,  
336/212, 214; 361/550

See application file for complete search history.

(56) **References Cited**

**U.S. PATENT DOCUMENTS**

D518,078 S \* 3/2006 Persson ..... D15/144.1

D520,539 S \* 5/2006 Di Miceli ..... D15/144

D592,025 S \* 5/2009 Snowball ..... D8/62  
D602,555 S \* 10/2009 Fitzpatrick et al. .... D22/109  
2005/0258155 A1 \* 11/2005 DeYoung ..... 219/130.1  
2008/0104792 A1 \* 5/2008 Coccapani et al. .... 15/320

\* cited by examiner

*Primary Examiner*—Sandra Snapp

*Assistant Examiner*—Patricia Palasik

(74) *Attorney, Agent, or Firm*—Collard & Roe, P.C.

(57) **CLAIM**

The ornamental design for an accessory for a welding machine, as shown and described.

**DESCRIPTION**

FIG. 1 is a top plan view of an accessory for a welding machine, showing our new design;

FIG. 2 is a left side view thereof;

FIG. 3 is a bottom view thereof;

FIG. 4 is a rear view thereof;

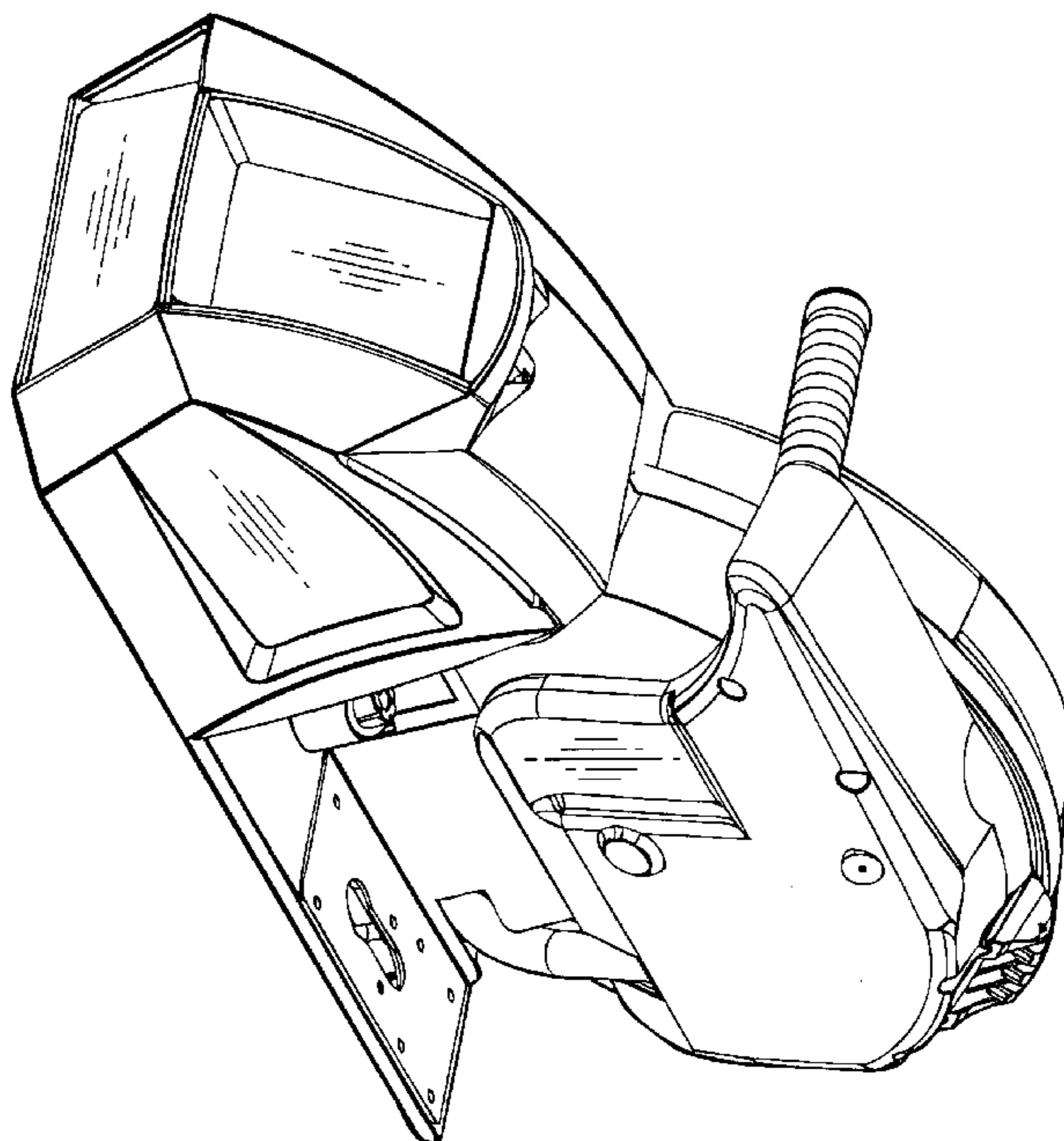
FIG. 5 is a right side view thereof;

FIG. 6 is a top, front and left side perspective view thereof; and,

FIG. 7 is a right side and rear perspective view thereof.

The broken lines in the drawings depict unclaimed environmental subject matter.

**1 Claim, 7 Drawing Sheets**



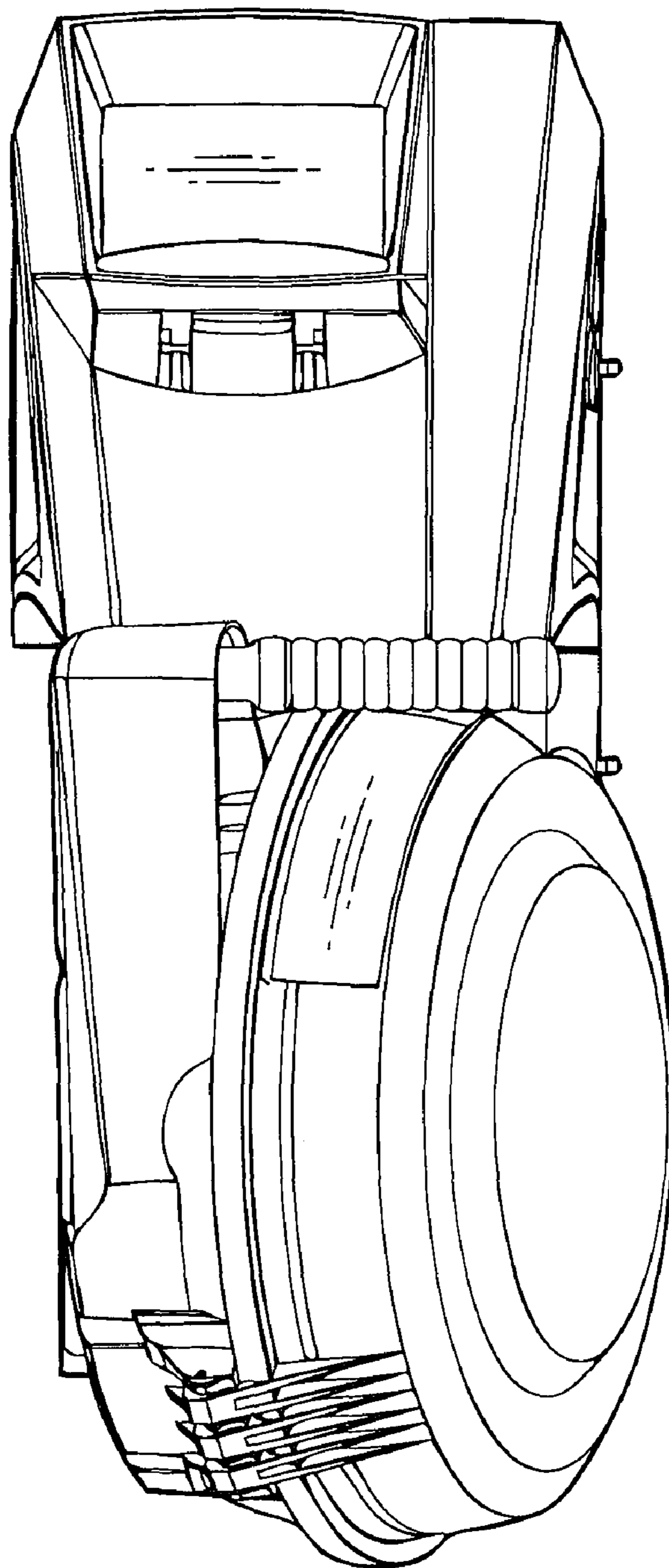


FIG. 1

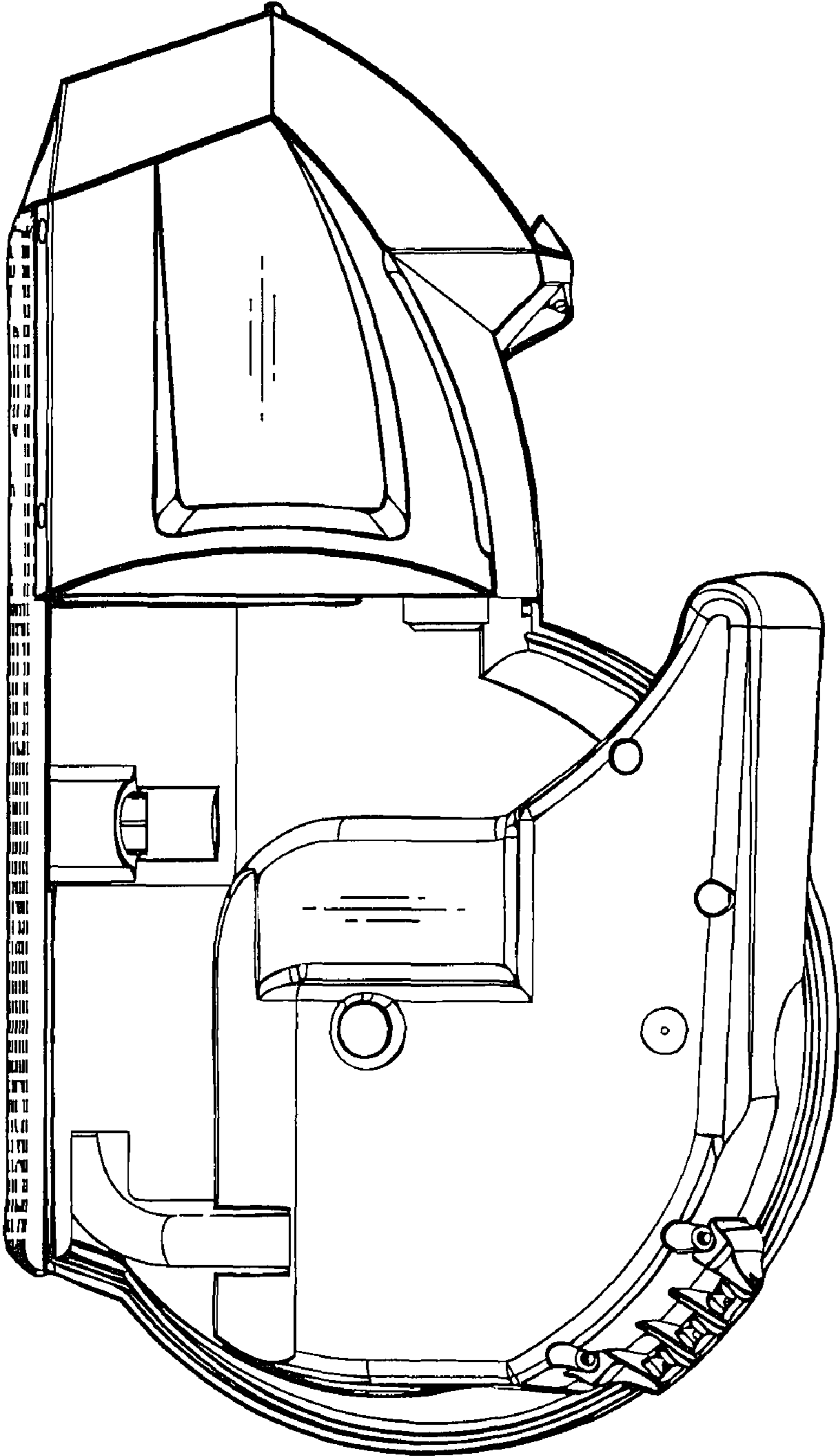


FIG. 2

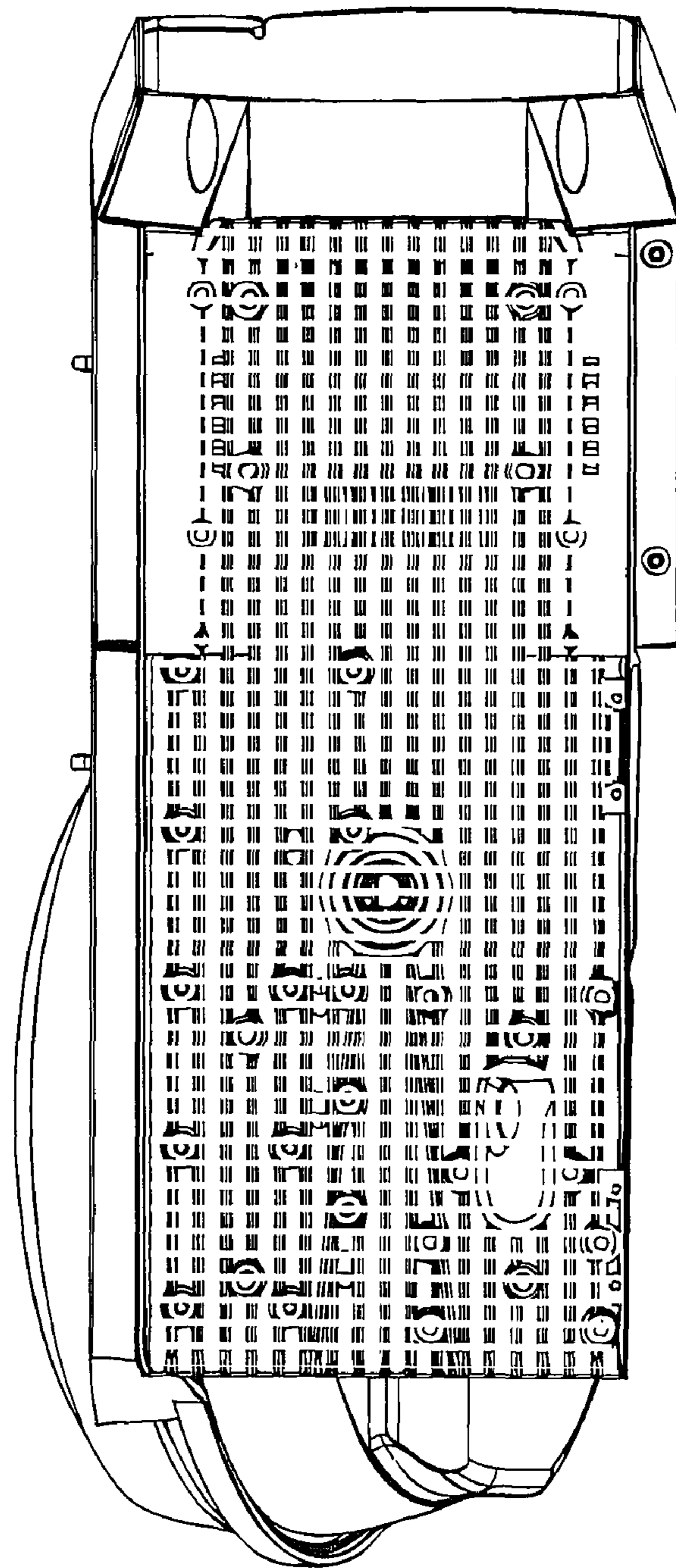


FIG. 3

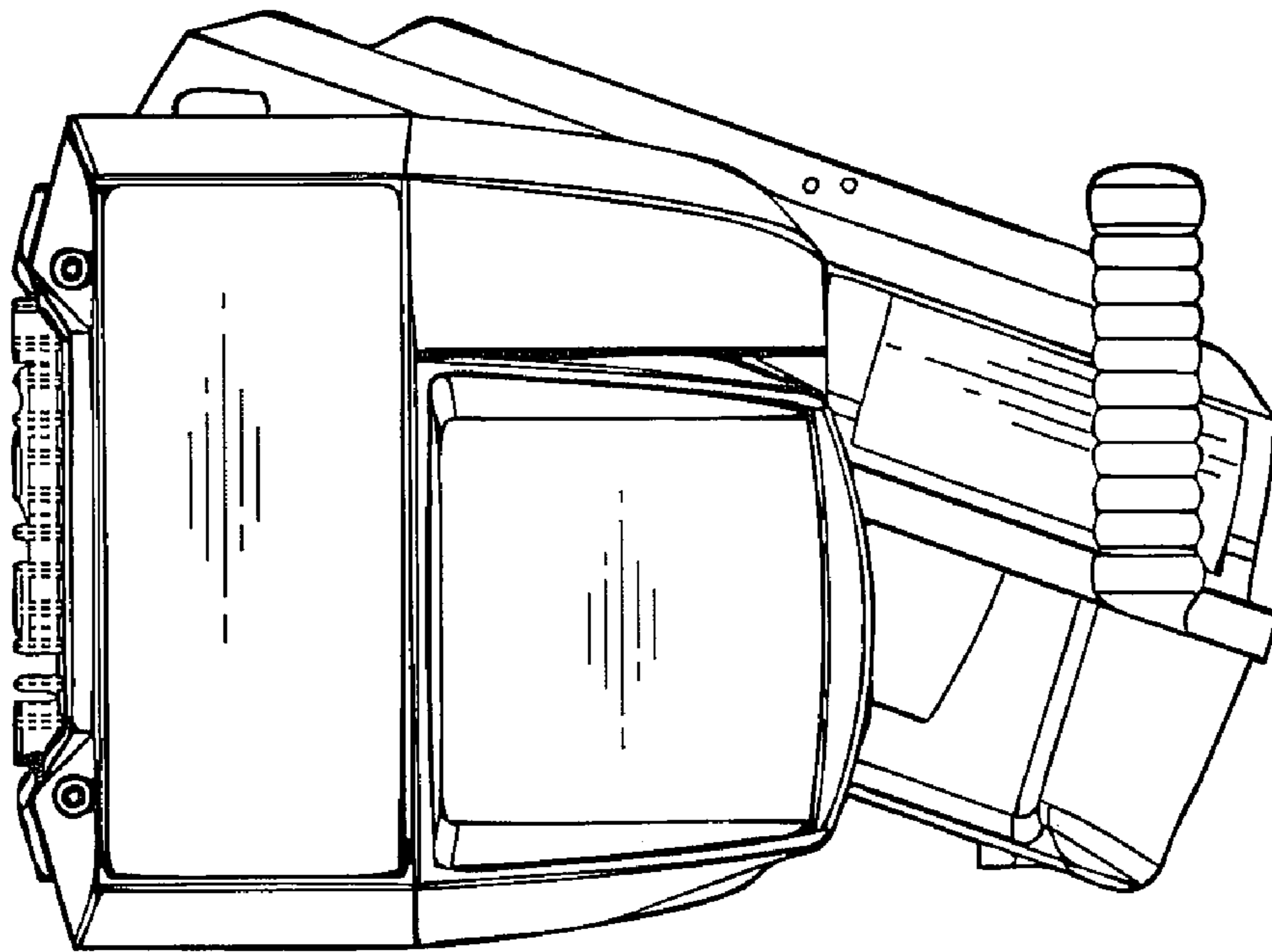


FIG. 4

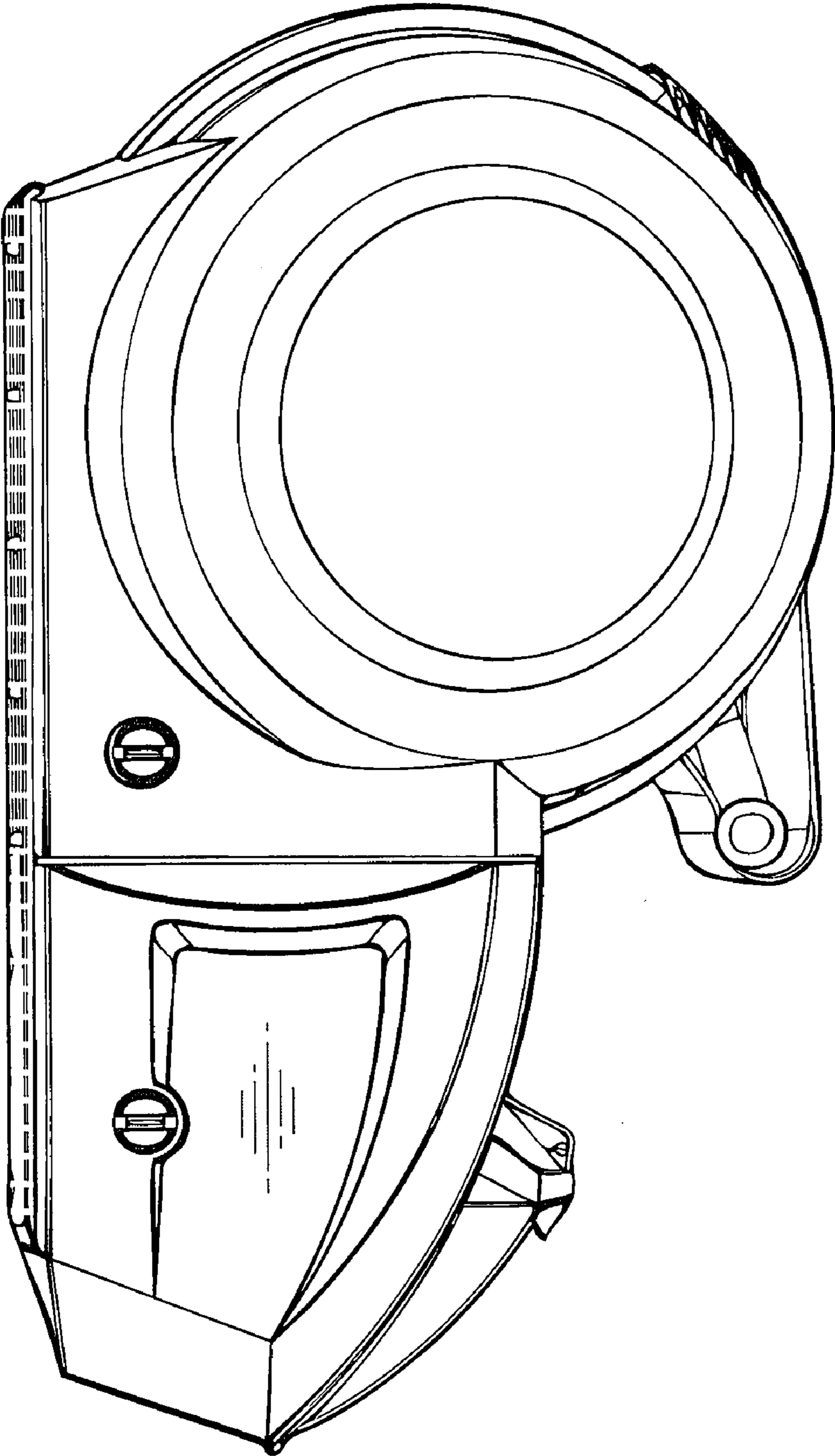


FIG. 5

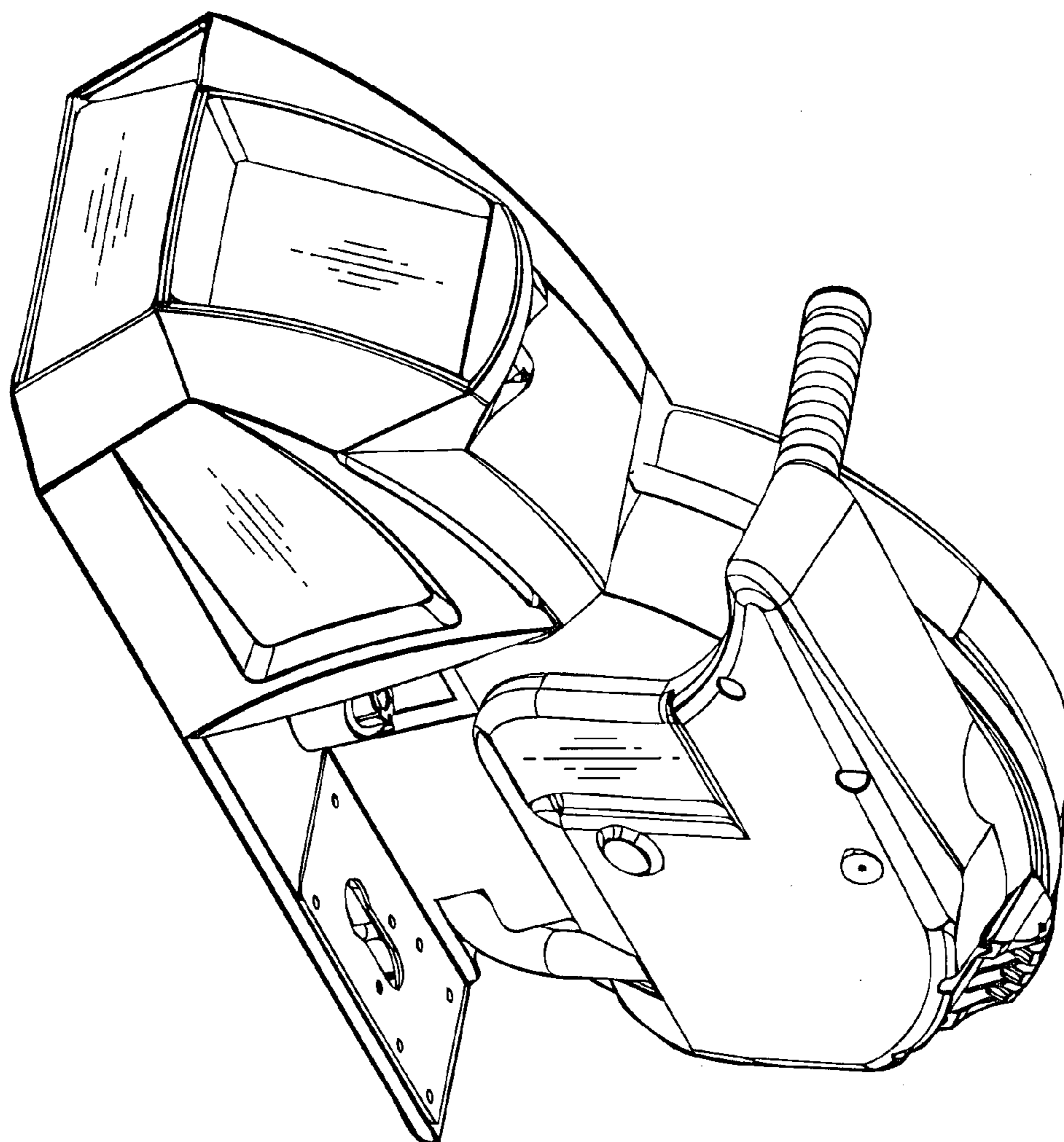


FIG. 6

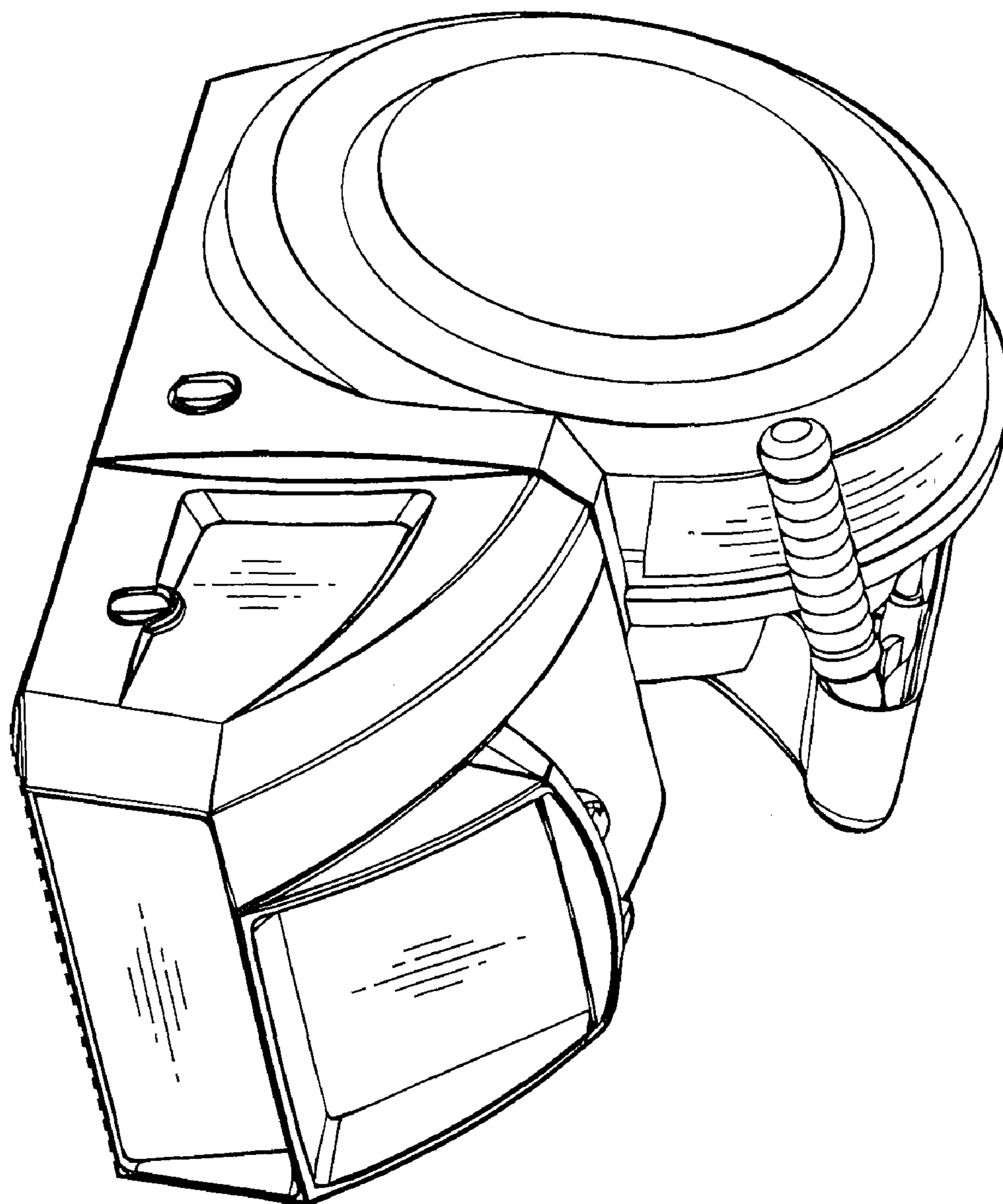


FIG. 7