



US00D623204S

(12) **United States Design Patent**
Weusthof

(10) **Patent No.:** **US D623,204 S**
(45) **Date of Patent:** **** Sep. 7, 2010**

(54) **CROSSCUT AND MITRE SAW**

(76) Inventor: **Gerhard Weusthof**, Buchenweg 6,
D-48410 Schapen (DE)

(**) Term: **14 Years**

(21) Appl. No.: **29/331,179**

(22) Filed: **Jan. 21, 2009**

(30) **Foreign Application Priority Data**

Jul. 22, 2008 (DE) 10 2008 034 273
Sep. 12, 2008 (DE) 40 2008 004 420

(51) **LOC (9) Cl.** **15-09**

(52) **U.S. Cl.** **D15/133**

(58) **Field of Classification Search** D8/67,
D8/68, 69; D15/133, 134; 83/378, 388,
83/391, 397, 468.3, 469, 471.3, 486.1, 490,
83/581

See application file for complete search history.

(56) **References Cited**

U.S. PATENT DOCUMENTS

5,054,352 A 10/1991 Fushiya et al.
5,159,864 A 11/1992 Wedemeyer et al.
5,687,483 A 11/1997 Neubert et al.
D391,973 S * 3/1998 Price et al. D15/133
5,870,939 A 2/1999 Matsubara
D478,103 S * 8/2003 Kani et al. D15/133
6,769,338 B2 8/2004 Svetlik et al.
D513,271 S * 12/2005 Ozawa et al. D15/133
D531,195 S * 10/2006 Waldron D15/133
D535,679 S * 1/2007 Chiang D16/311
D547,338 S * 7/2007 Firth D15/133
D566,142 S * 4/2008 Gavins D15/133
D602,964 S 10/2009 Hetcher et al.
2002/0088327 A1 7/2002 Young
2004/0060412 A1 4/2004 Kao
2004/0103768 A1 6/2004 Meredith
2007/0074611 A1 * 4/2007 Hu 83/471.2

FOREIGN PATENT DOCUMENTS

DE 4302676 A1 8/1998

DE 20114319 U1 1/2002
DE 20313885 U1 11/2003
DE 202006012418 U1 11/2006
EP 0379322 B1 10/1993
EP 0622015 A1 11/1994
EP 1405703 A1 4/2004
EP 1614492 A1 1/2006
GB 2446317 A 8/2008

OTHER PUBLICATIONS

German Office Action dated Jan. 19, 2009.
International Search Report dated Nov. 27, 2009.
International Search Report dated Dec. 30, 2009.

* cited by examiner

Primary Examiner—Sandra Snapp
Assistant Examiner—Patricia Palasik

(74) *Attorney, Agent, or Firm*—Laurence A. Greenberg;
Werner H. Stemer; Ralph E. Locher

(57) **CLAIM**

The ornamental design for a crosscut and mitre saw, as shown and described.

DESCRIPTION

FIG. 1 is a top, right side, perspective view of the crosscut and mitre saw, showing my new design;

FIG. 2 is a top, rear, left side perspective view thereof;

FIG. 3 is a top, rear, right side perspective view thereof;

FIG. 4 is a top, front, left side perspective view thereof;

FIG. 5 is a rear, elevation view thereof;

FIG. 6 is a right, side elevation view thereof;

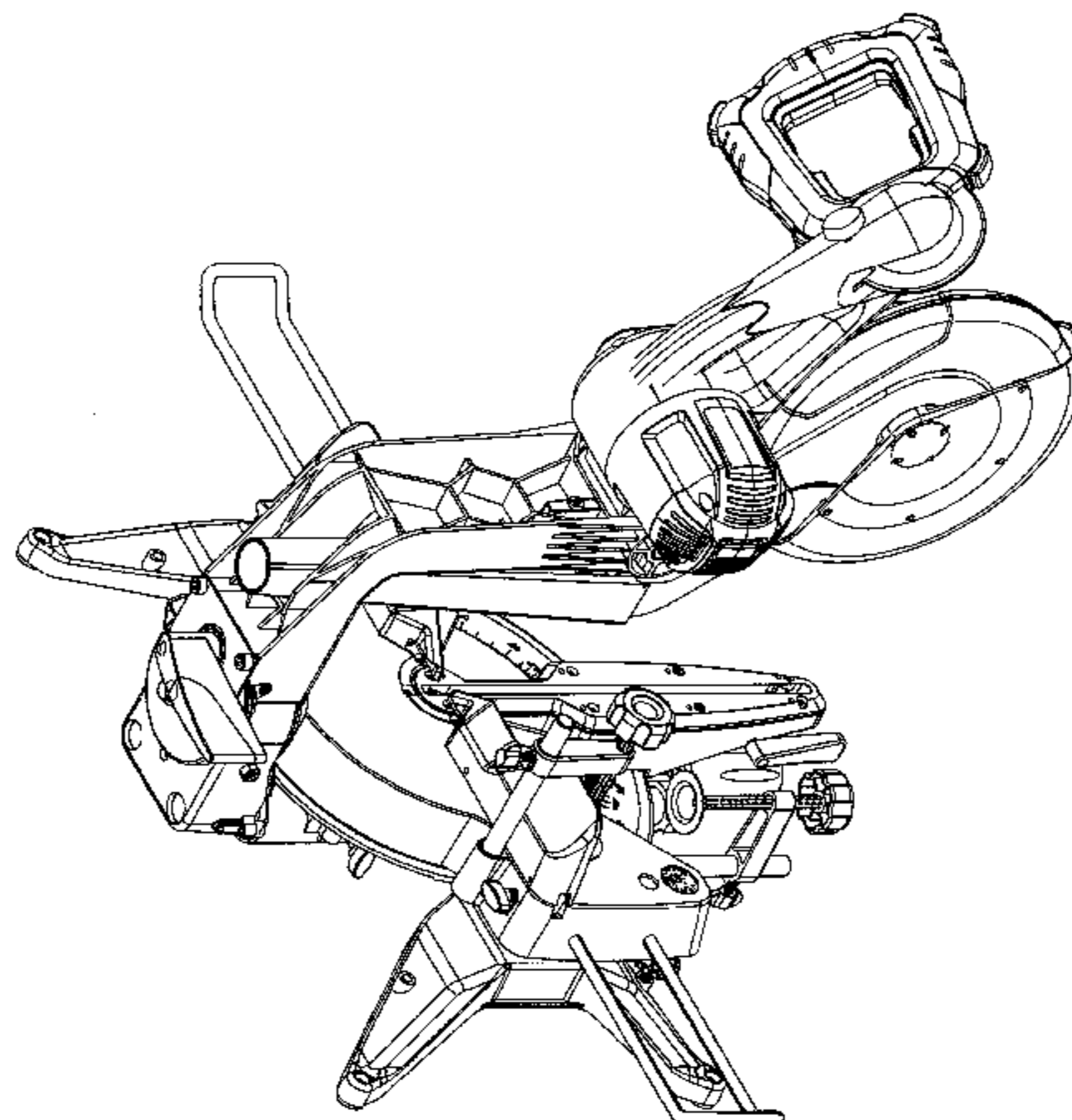
FIG. 7 is a front elevation view thereof;

FIG. 8 is a top, plan view thereof; and,

FIG. 9 is a left side, elevation view thereof.

The broken lines in the drawings depict unclaimed subject matter.

1 Claim, 9 Drawing Sheets



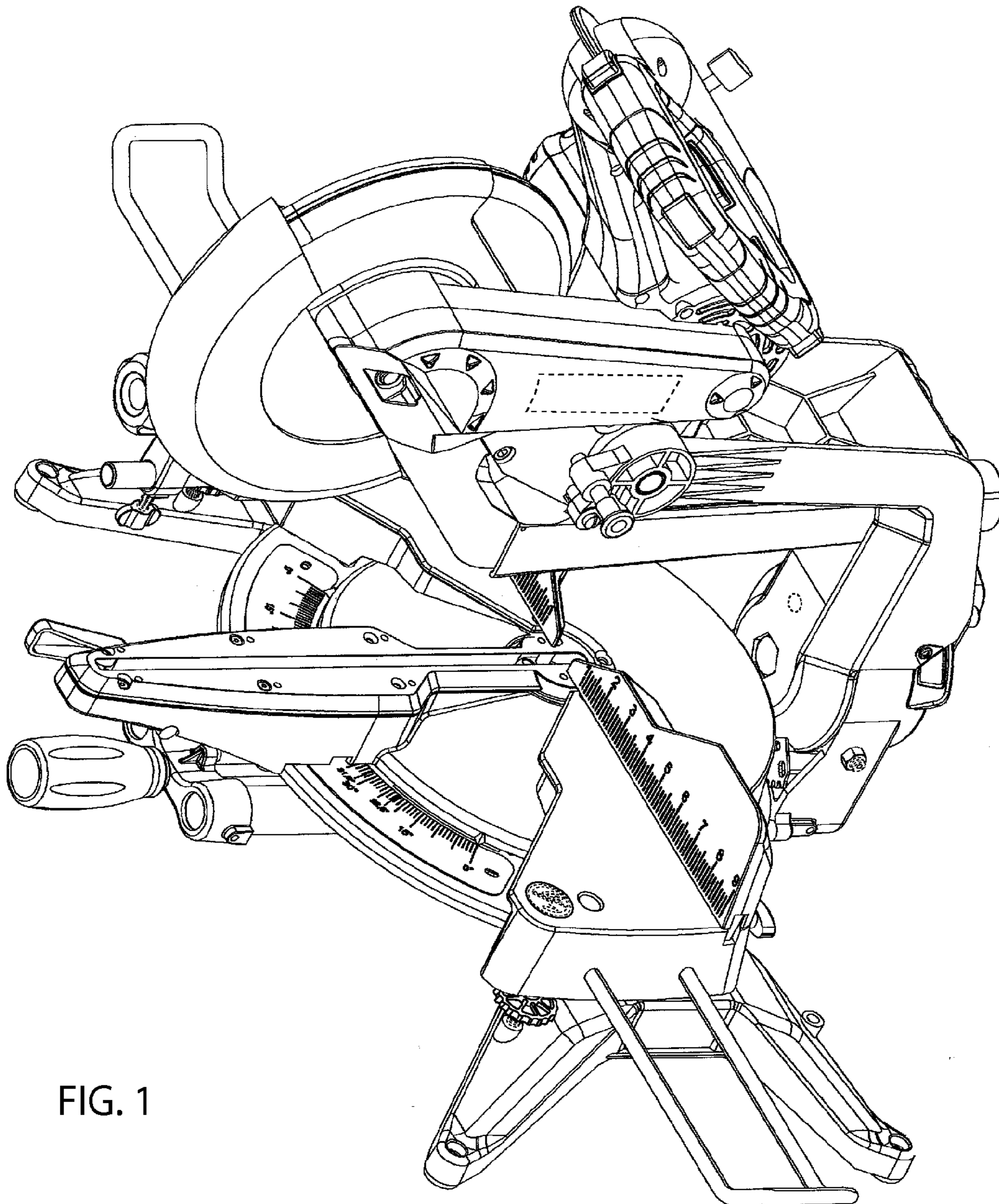


FIG. 1

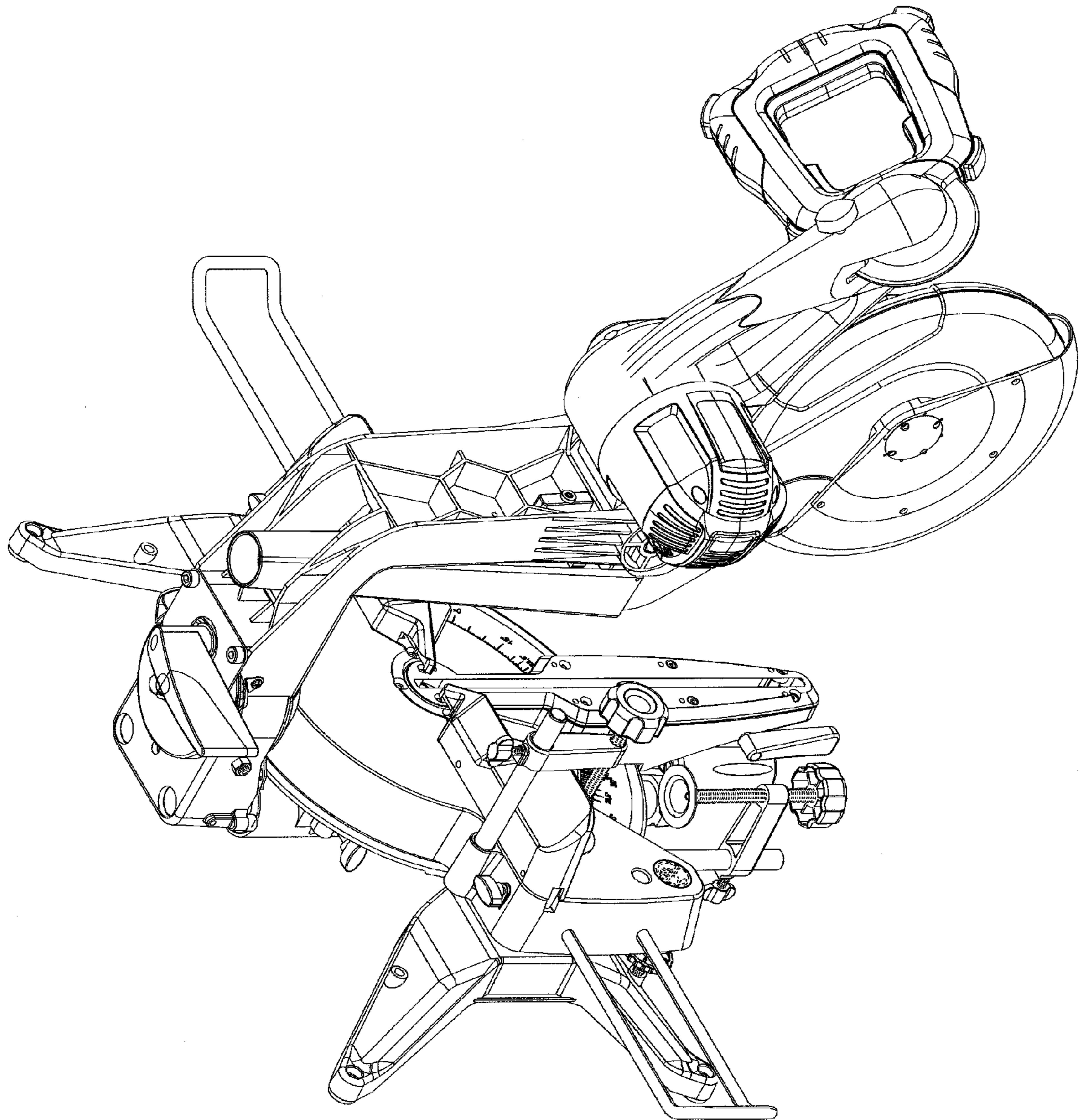


FIG. 2

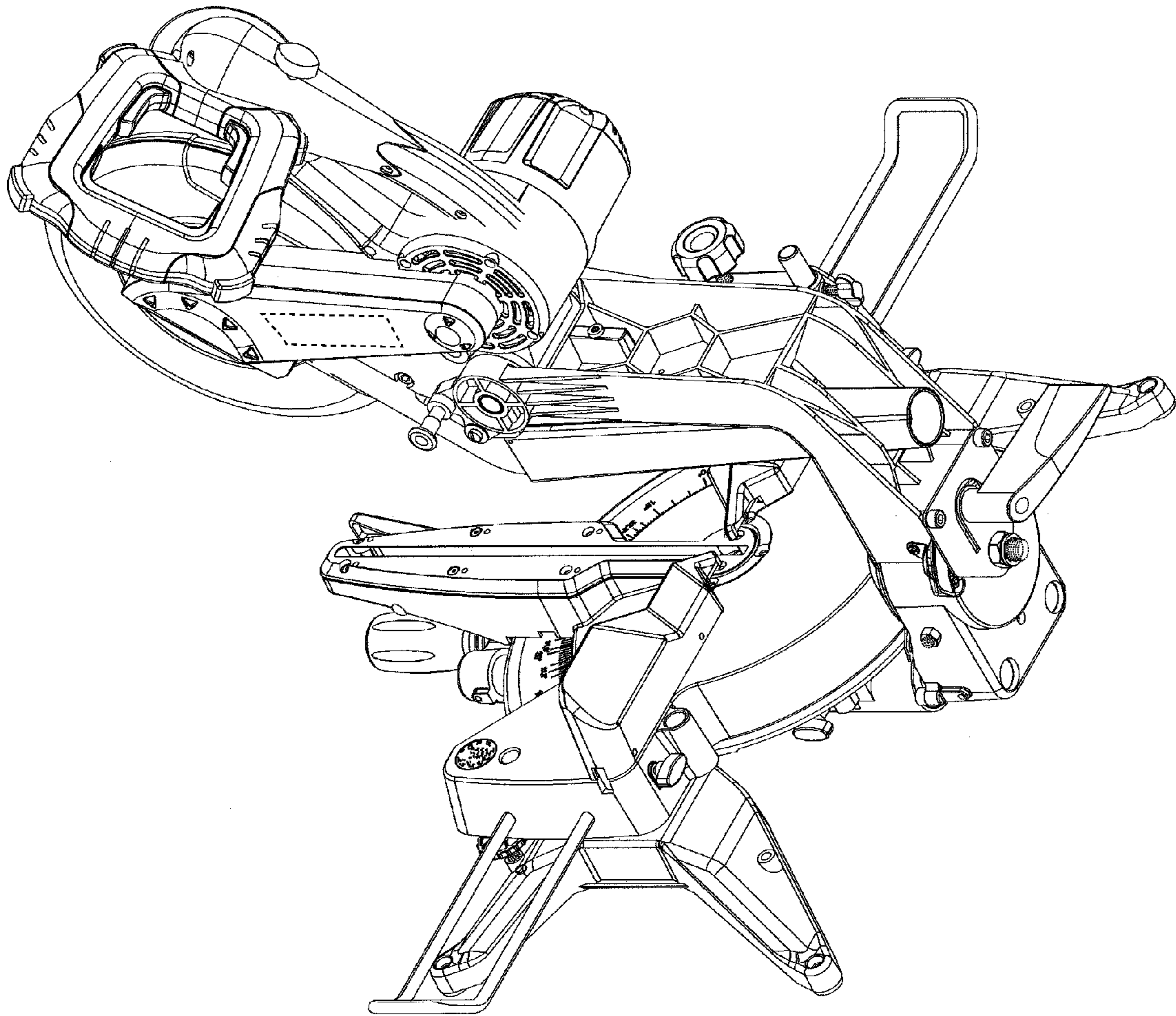


FIG. 3

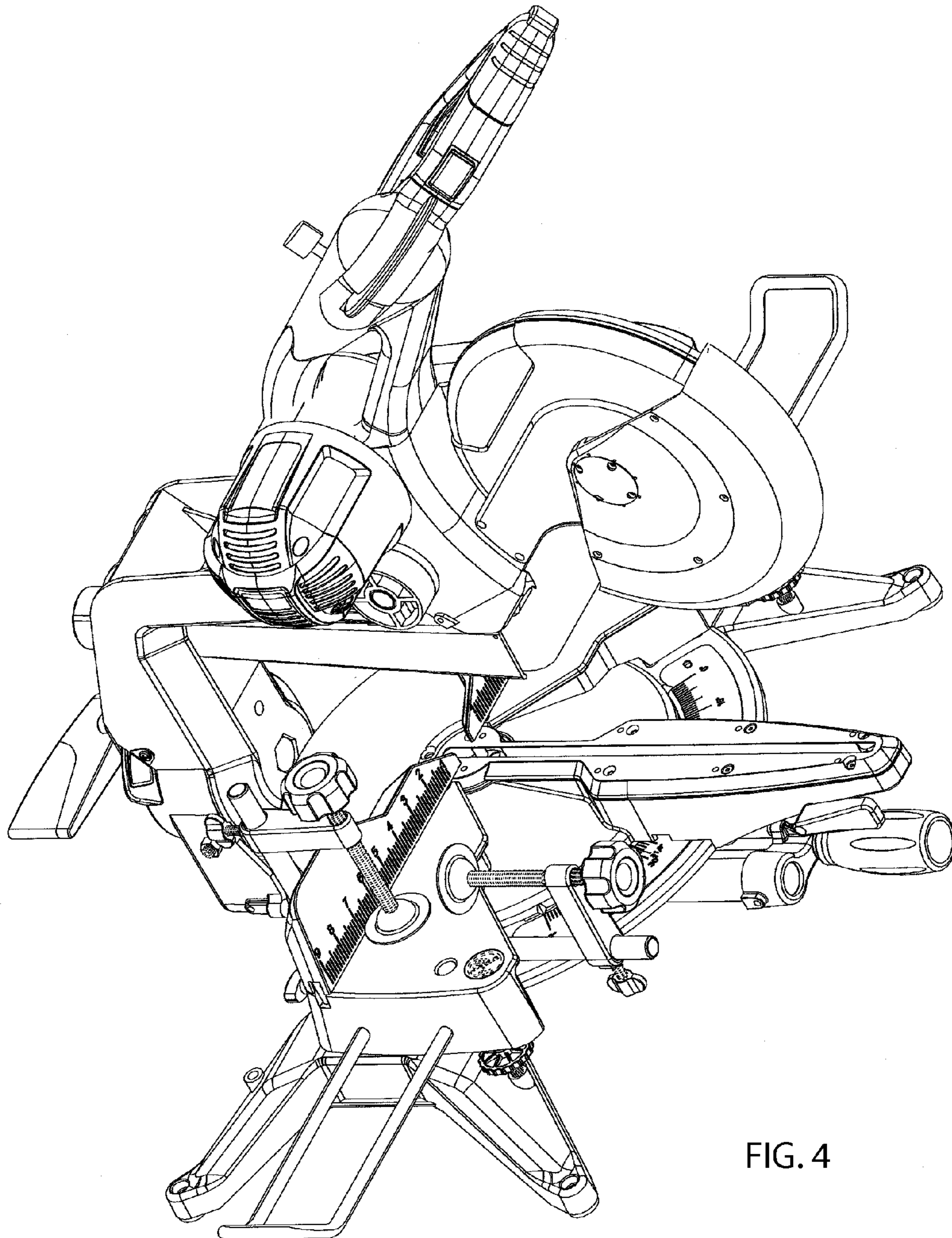


FIG. 4

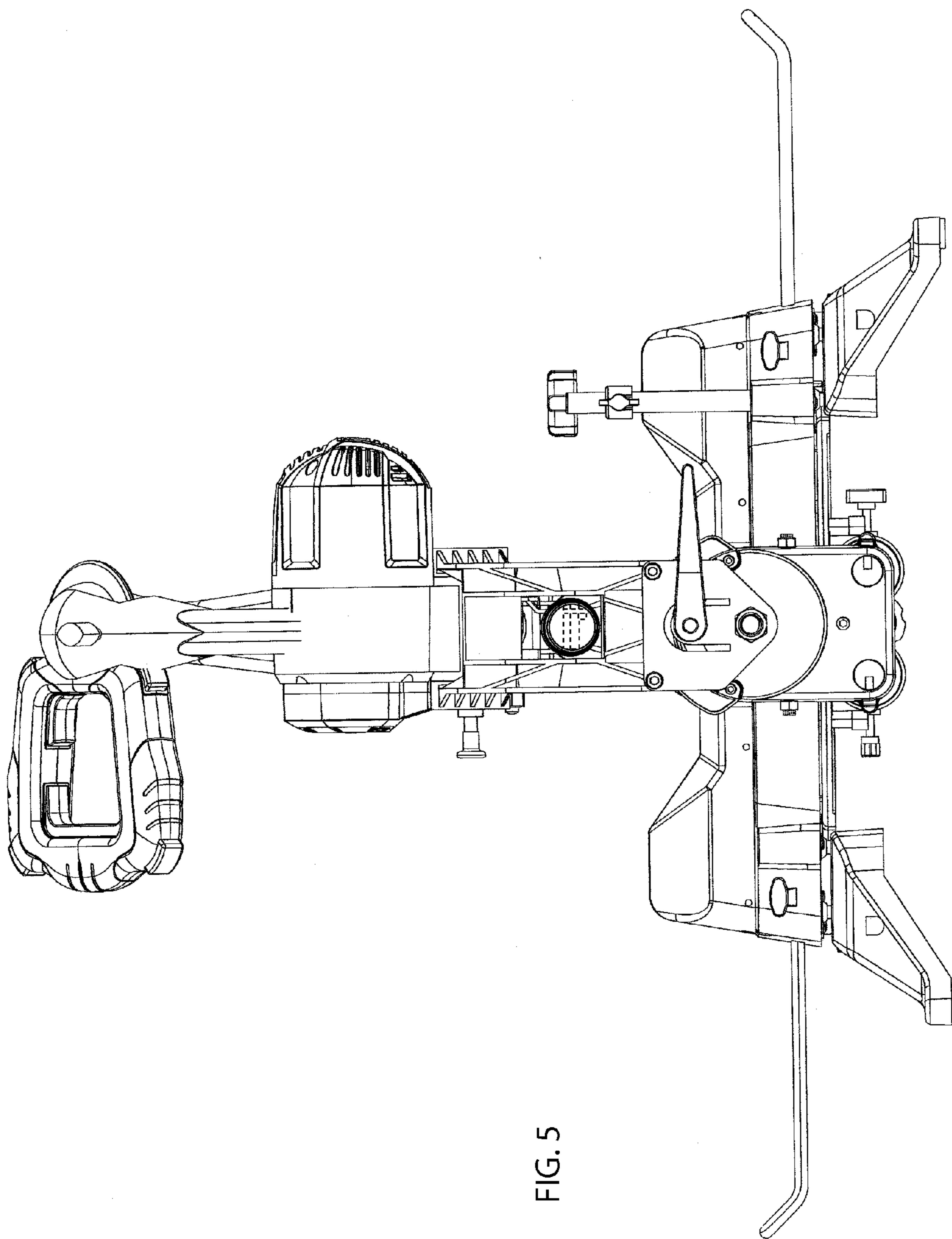


FIG. 5

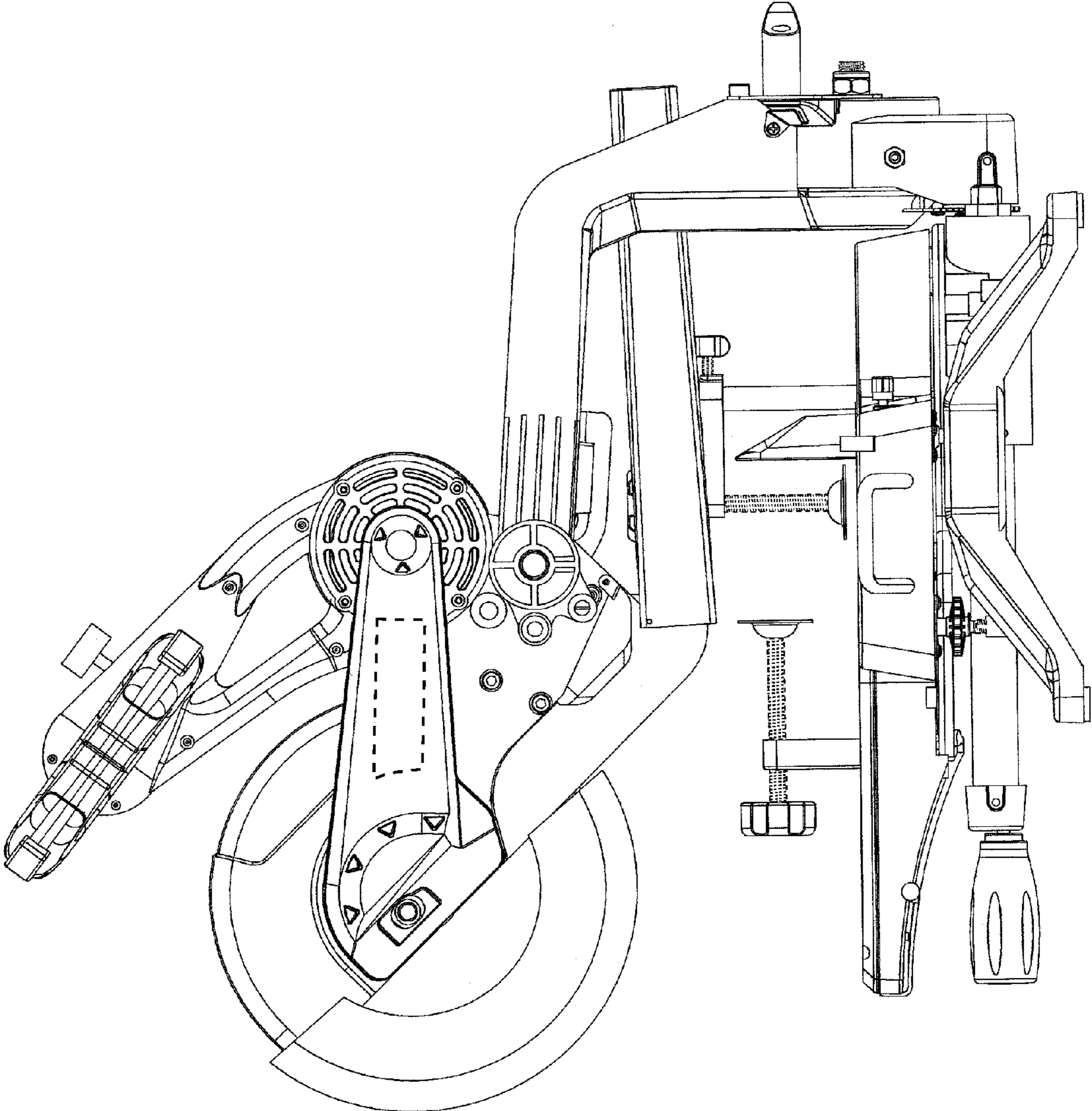


FIG. 6

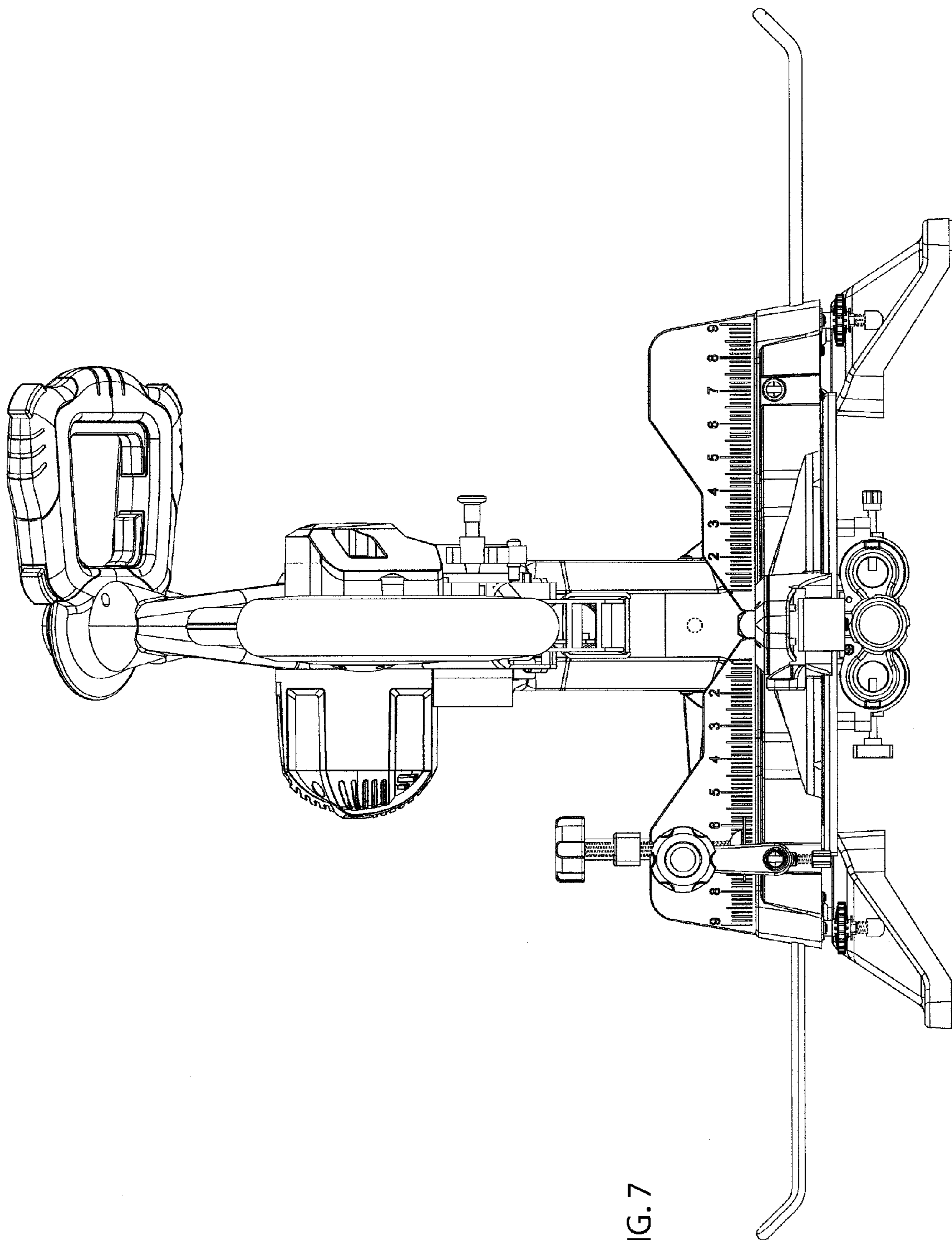


FIG. 7

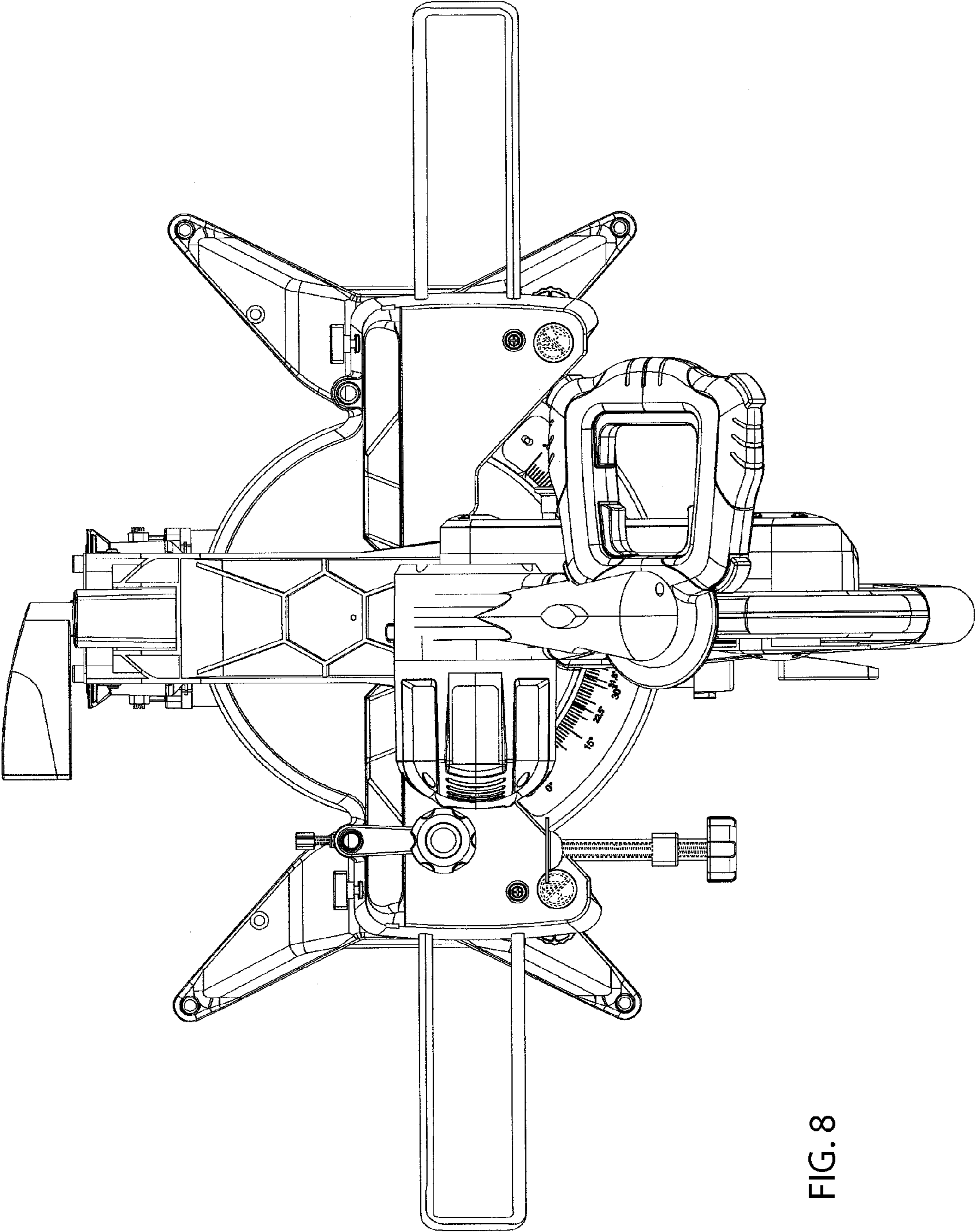


FIG. 8

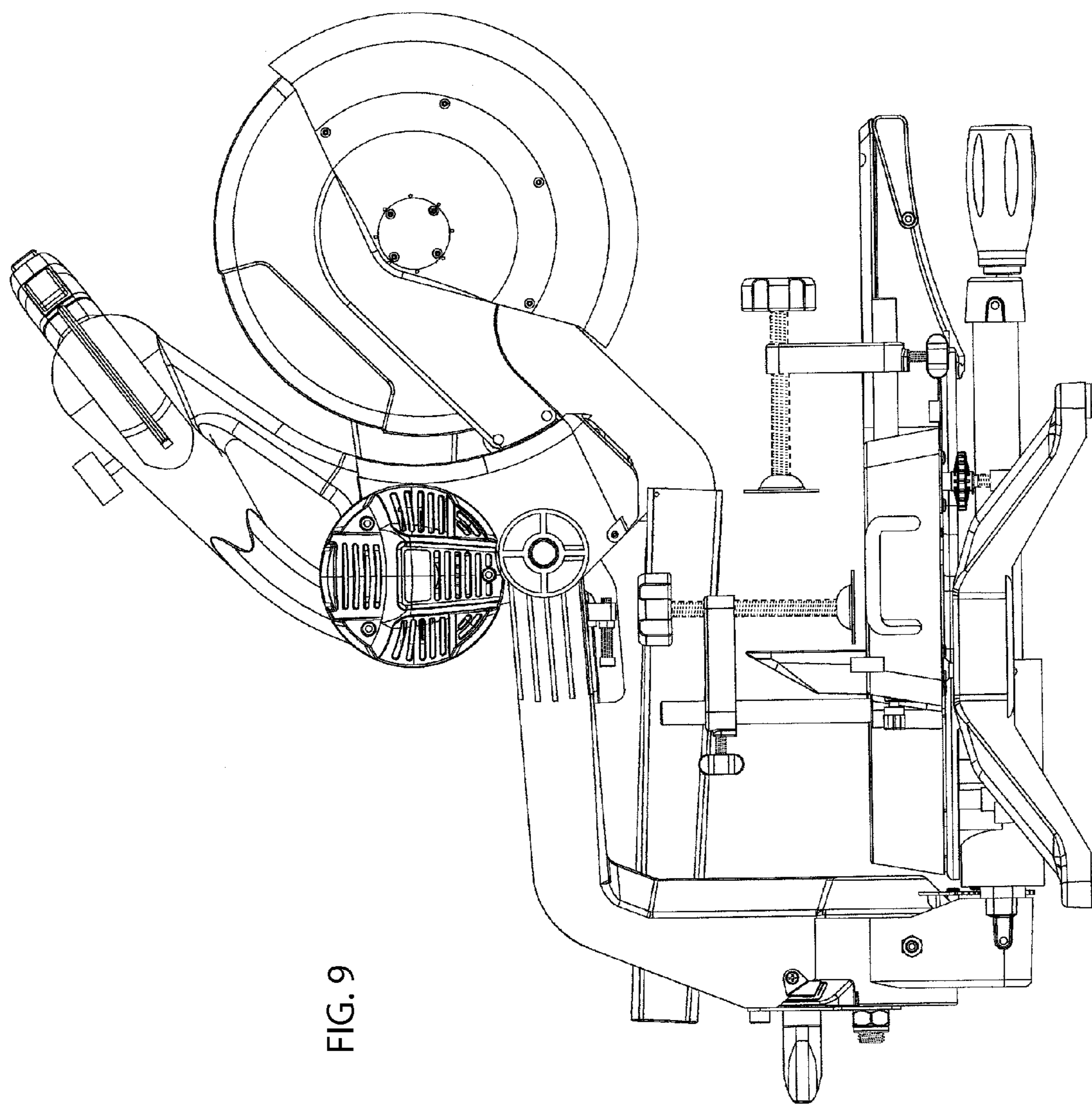


FIG. 9