



US00D623201S

(12) **United States Design Patent**
Yu

(10) **Patent No.:** **US D623,201 S**

(45) **Date of Patent:** **** Sep. 7, 2010**

(54) **PUMP FOR LIQUID**

(75) Inventor: **Chih-Min Yu**, Tainan (TW)

(73) Assignee: **Chih Jung Electron Co., Ltd.**, Tainan (TW)

(**) Term: **14 Years**

(21) Appl. No.: **29/353,896**

(22) Filed: **Jan. 15, 2010**

(30) **Foreign Application Priority Data**

Jul. 17, 2009 (JP) 2009-016433

(51) **LOC (9) Cl.** **15-02**

(52) **U.S. Cl.** **D15/7**

(58) **Field of Classification Search** D15/7-9;
D23/231, 232, 225; 417/410.1, 359, 415-416,
417/234, 321, 265, 405

See application file for complete search history.

(56) **References Cited**

U.S. PATENT DOCUMENTS

D236,756 S * 9/1975 Franzen D15/7
D258,210 S * 2/1981 Shure D15/7
D268,412 S * 3/1983 Davis et al. D15/7

D491,957 S * 6/2004 Fang D15/7
D498,480 S * 11/2004 Tsai D15/7
D531,643 S * 11/2006 Tischler et al. D15/7
D558,233 S * 12/2007 Itani D15/7
D565,600 S * 4/2008 Tazioli D15/7

* cited by examiner

Primary Examiner—Ralf Seifert

(74) *Attorney, Agent, or Firm*—Muncy, Geissler, Olds & Lowe, PLLC

(57) **CLAIM**

I claim, the ornamental design for a pump for liquid, as shown and described.

DESCRIPTION

FIG. 1 is a perspective view of a pump for liquid showing my present design;

FIG. 2 is a front view thereof;

FIG. 3 is a rear view thereof;

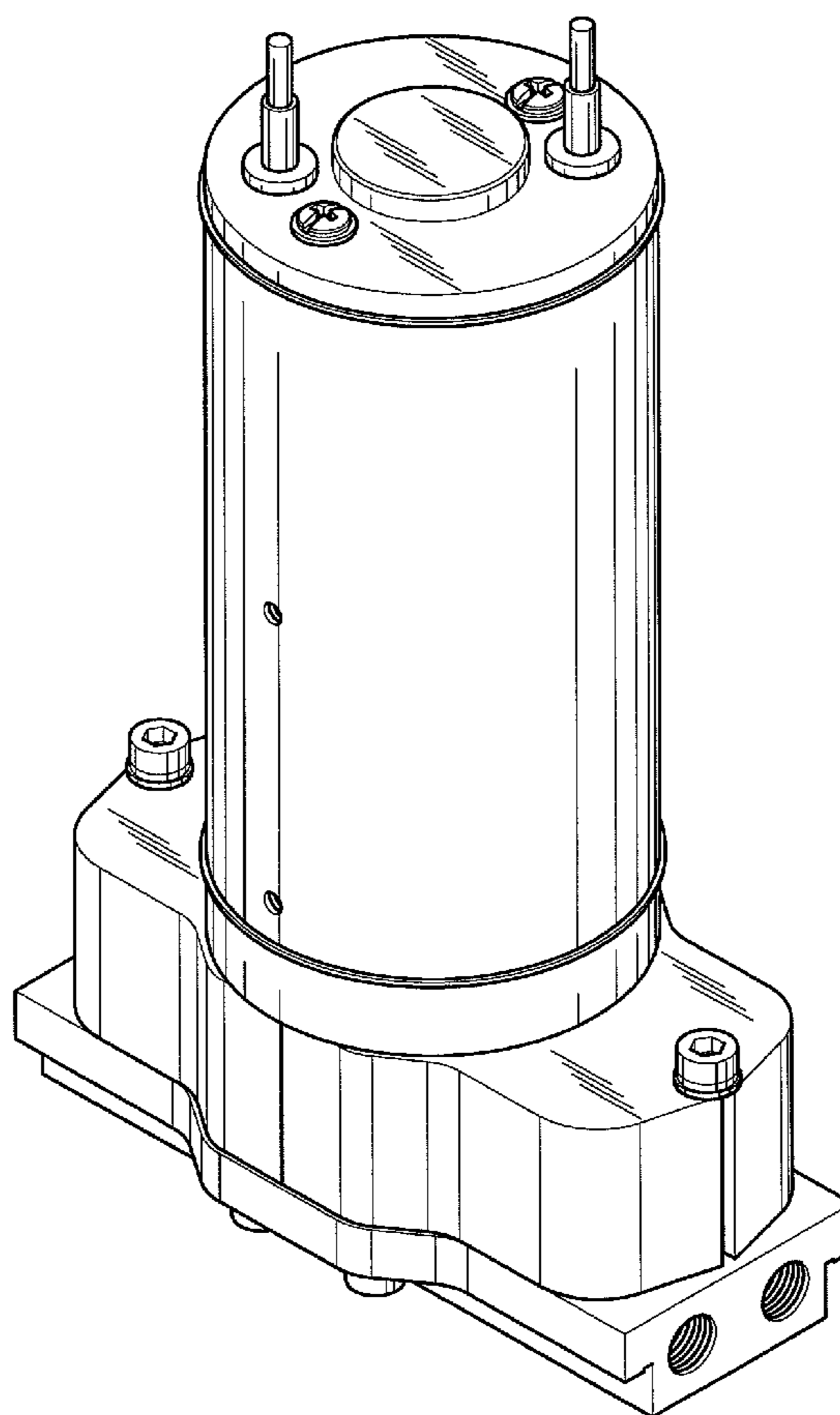
FIG. 4 is a left view thereof;

FIG. 5 is a right view thereof;

FIG. 6 is a top plan view thereof; and,

FIG. 7 is a bottom plan view.

1 Claim, 6 Drawing Sheets



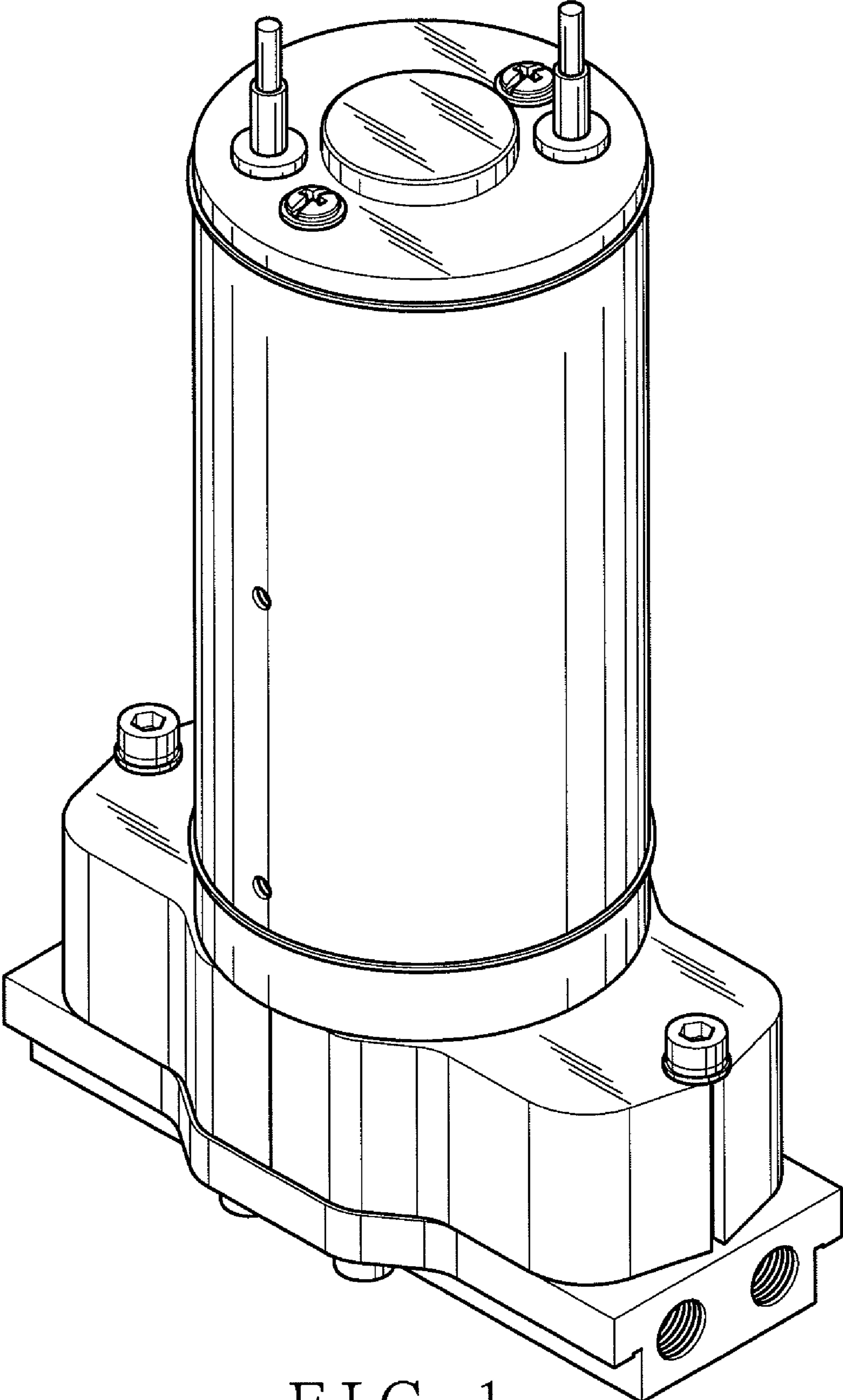


FIG. 1

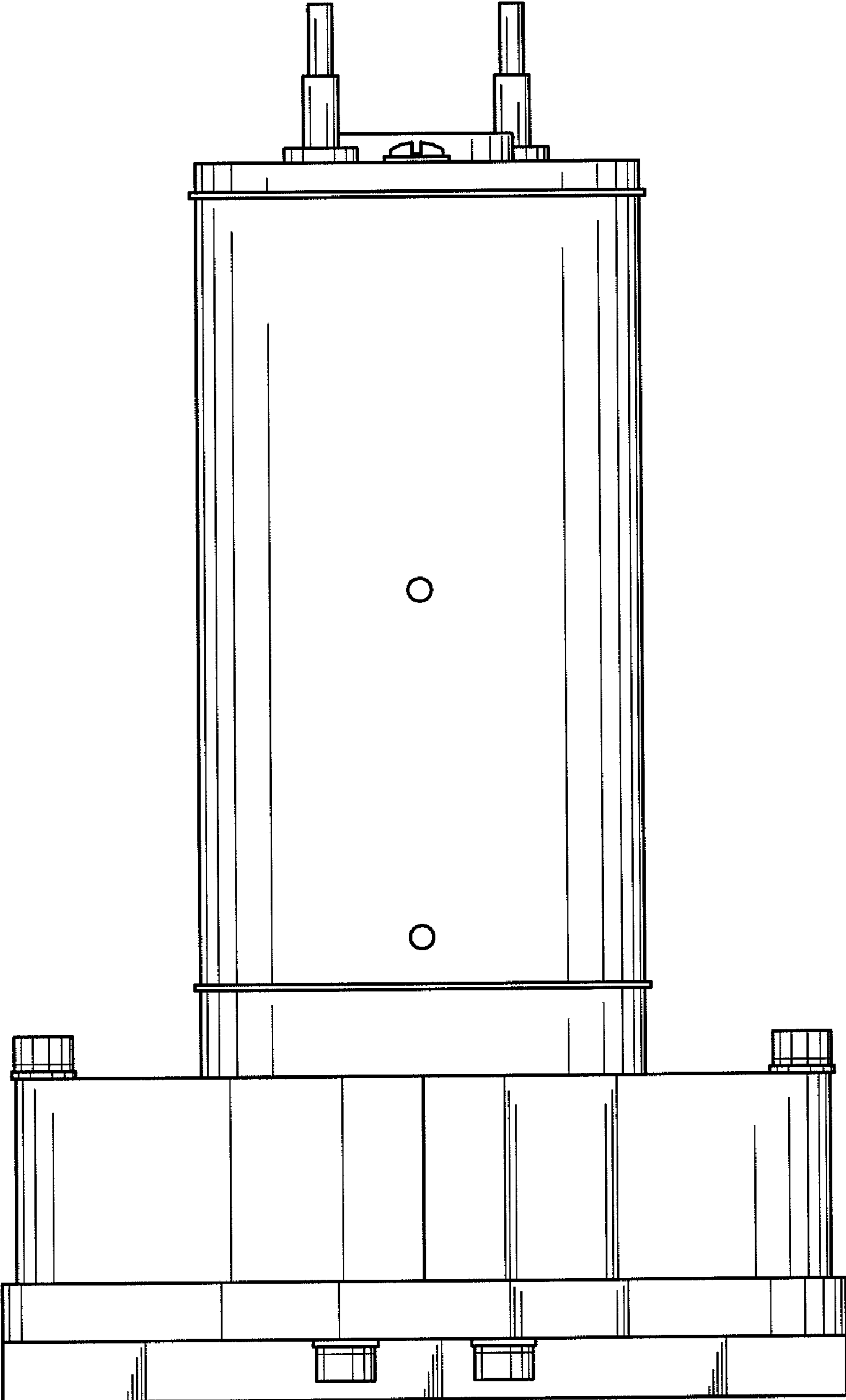


FIG. 2

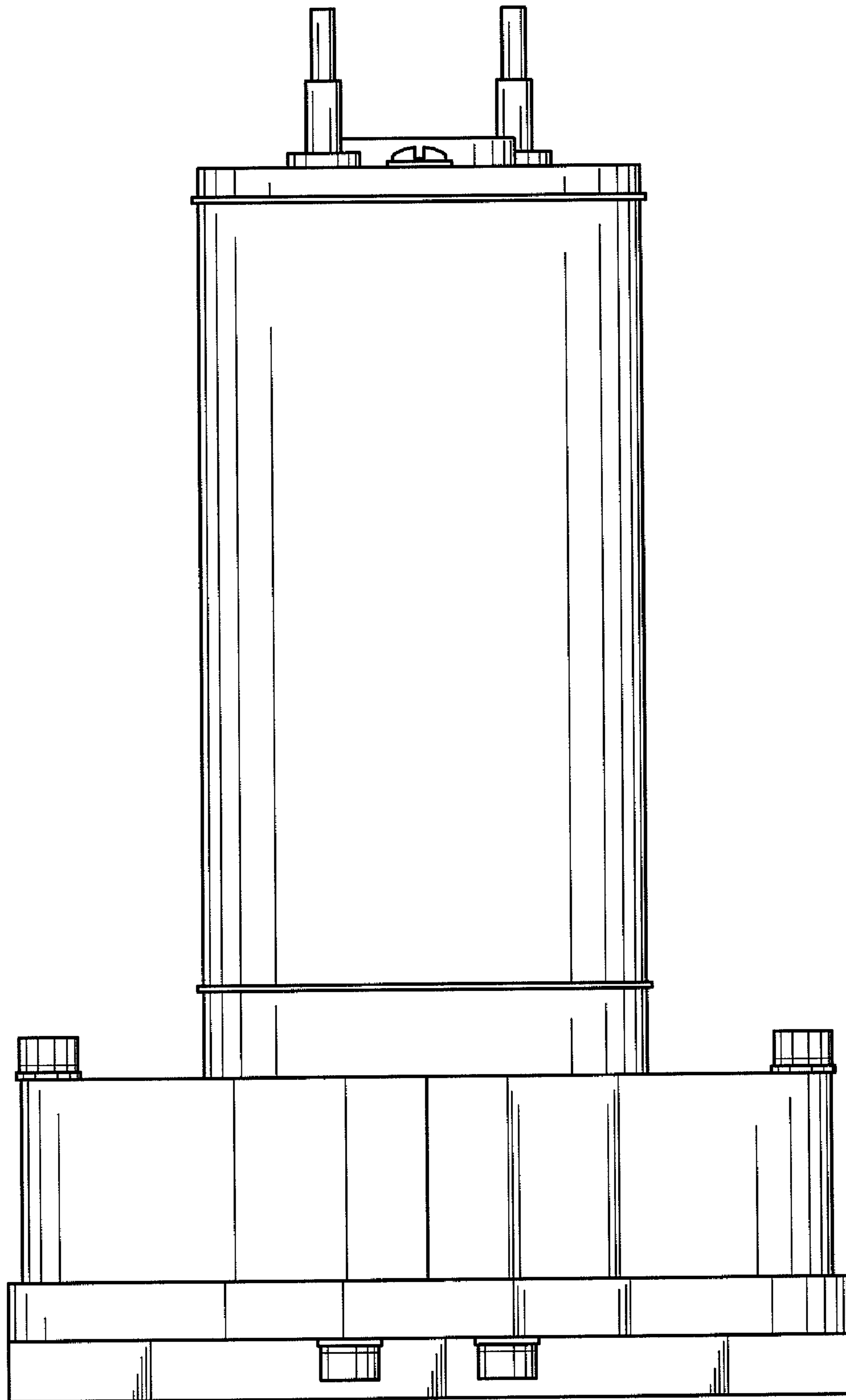


FIG. 3

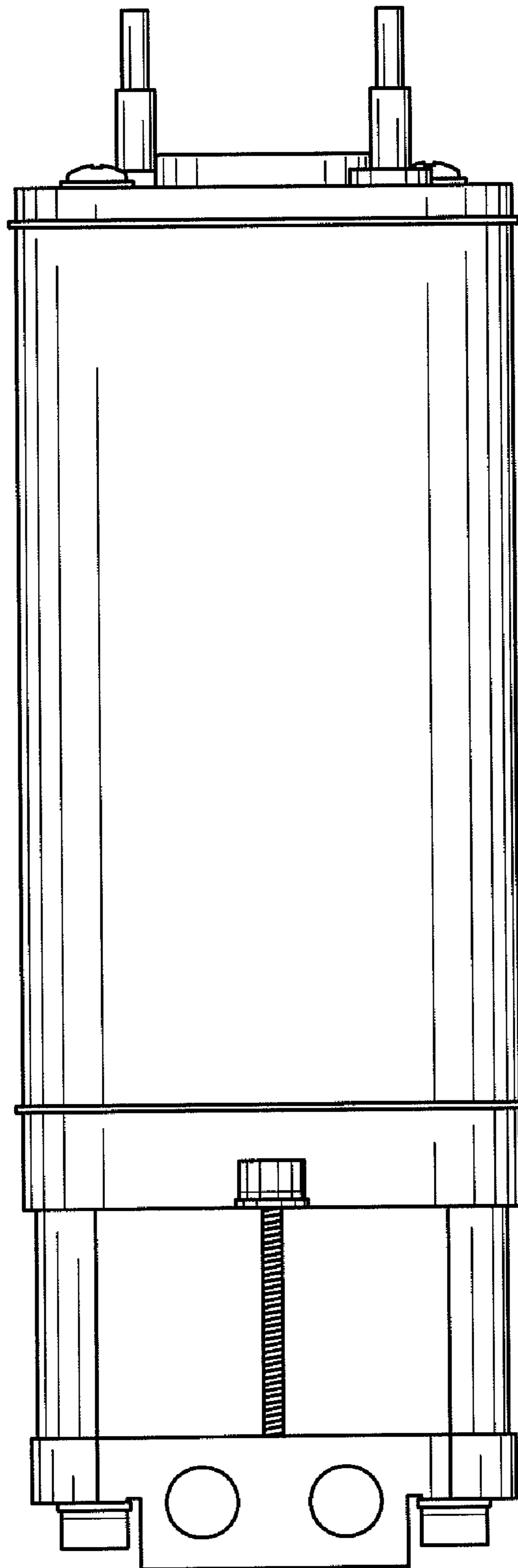


FIG. 4

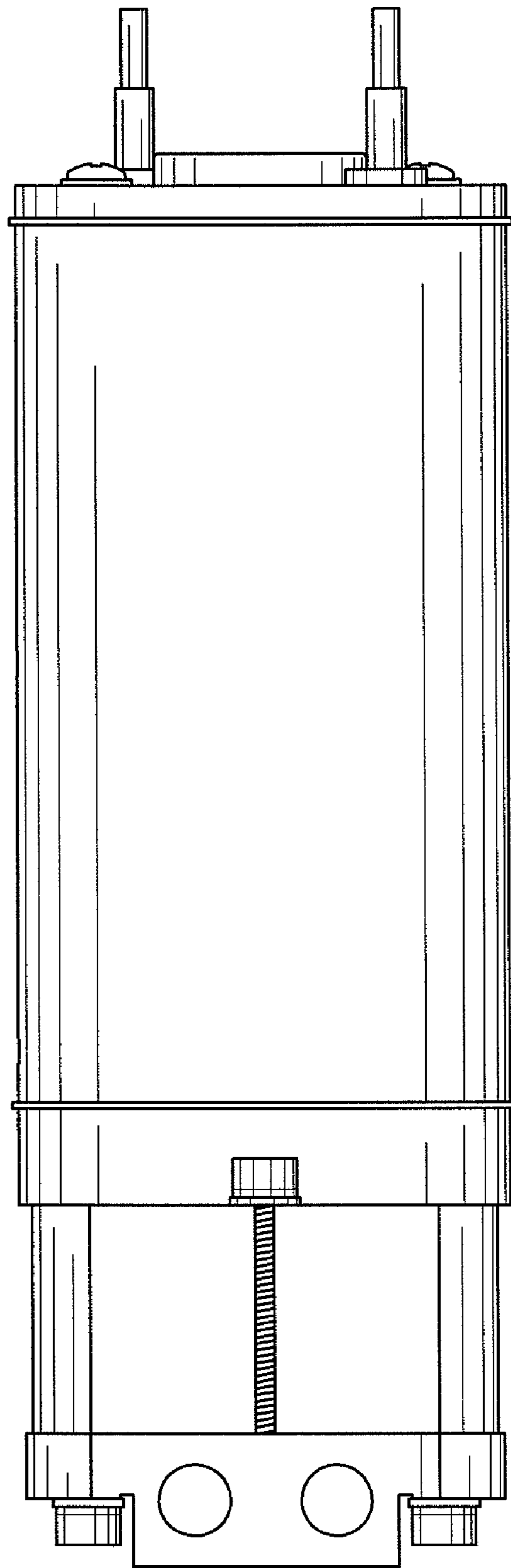


FIG. 5

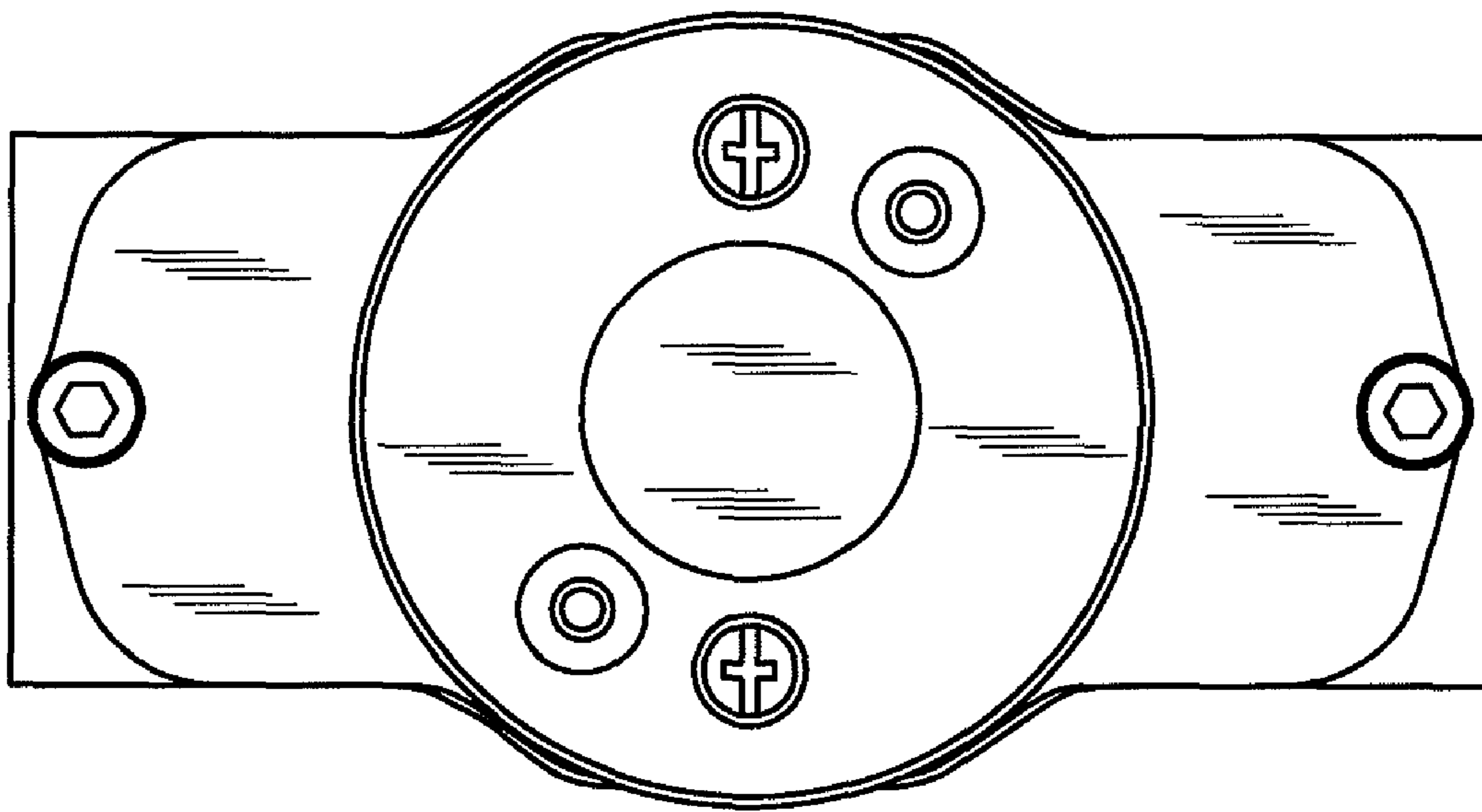


FIG. 6

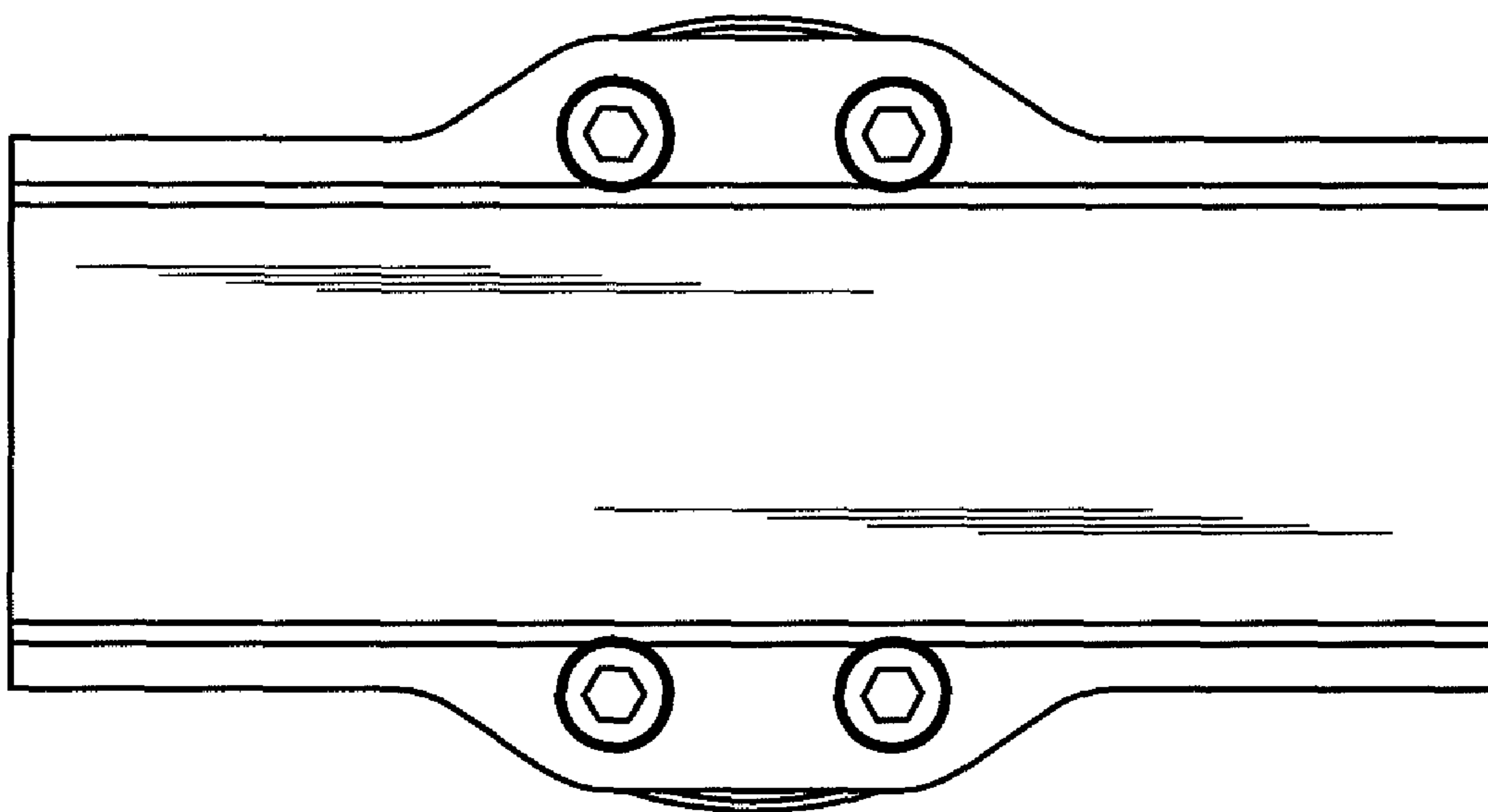


FIG. 7