



US00D623200S

(12) **United States Design Patent**  
**Fulkerson et al.**

(10) **Patent No.:** **US D623,200 S**

(45) **Date of Patent:** **\*\* Sep. 7, 2010**

(54) **PUMP THROAT**

(75) Inventors: **Terrence M. Fulkerson**, Brunswick Hills, OH (US); **William R. Hoversten**, Cuyahoga Falls, OH (US); **Donna F. Campbell**, Huron, OH (US)

(73) Assignee: **Nordson Corporation**, Westlake, OH (US)

(\*\*) Term: **14 Years**

(21) Appl. No.: **29/353,623**

(22) Filed: **Jan. 12, 2010**

(51) **LOC (9) Cl.** ..... **15-02**

(52) **U.S. Cl.** ..... **D15/7**

(58) **Field of Classification Search** ..... D15/7-9;  
D23/231, 232, 225, 213; 417/410.1, 359,  
417/415-416, 234, 321, 265, 405  
See application file for complete search history.

(56) **References Cited**

U.S. PATENT DOCUMENTS

4,562,612	A	*	1/1986	Williams et al.	.....	15/409
D461,827	S	*	8/2002	Koebbe	.....	D15/7
D471,563	S	*	3/2003	Selic et al.	.....	D15/7
D472,558	S	*	4/2003	MacPherson et al.	.....	D15/7
D500,505	S	*	1/2005	Selic et al.	.....	D15/2

D506,210	S	*	6/2005	Selic et al.	.....	D15/7
D540,349	S	*	4/2007	Waki	.....	D15/9
D583,389	S	*	12/2008	Bilger	.....	D15/7
D589,984	S	*	4/2009	Roesler	.....	D15/7

\* cited by examiner

*Primary Examiner*—Ralf Seifert

(74) *Attorney, Agent, or Firm*—Calfee, Halter & Griswold LLP

(57) **CLAIM**

The ornamental design for a pump throat, as shown and described.

**DESCRIPTION**

FIG. 1 is a rear, right side perspective view of a pump throat of the new design;

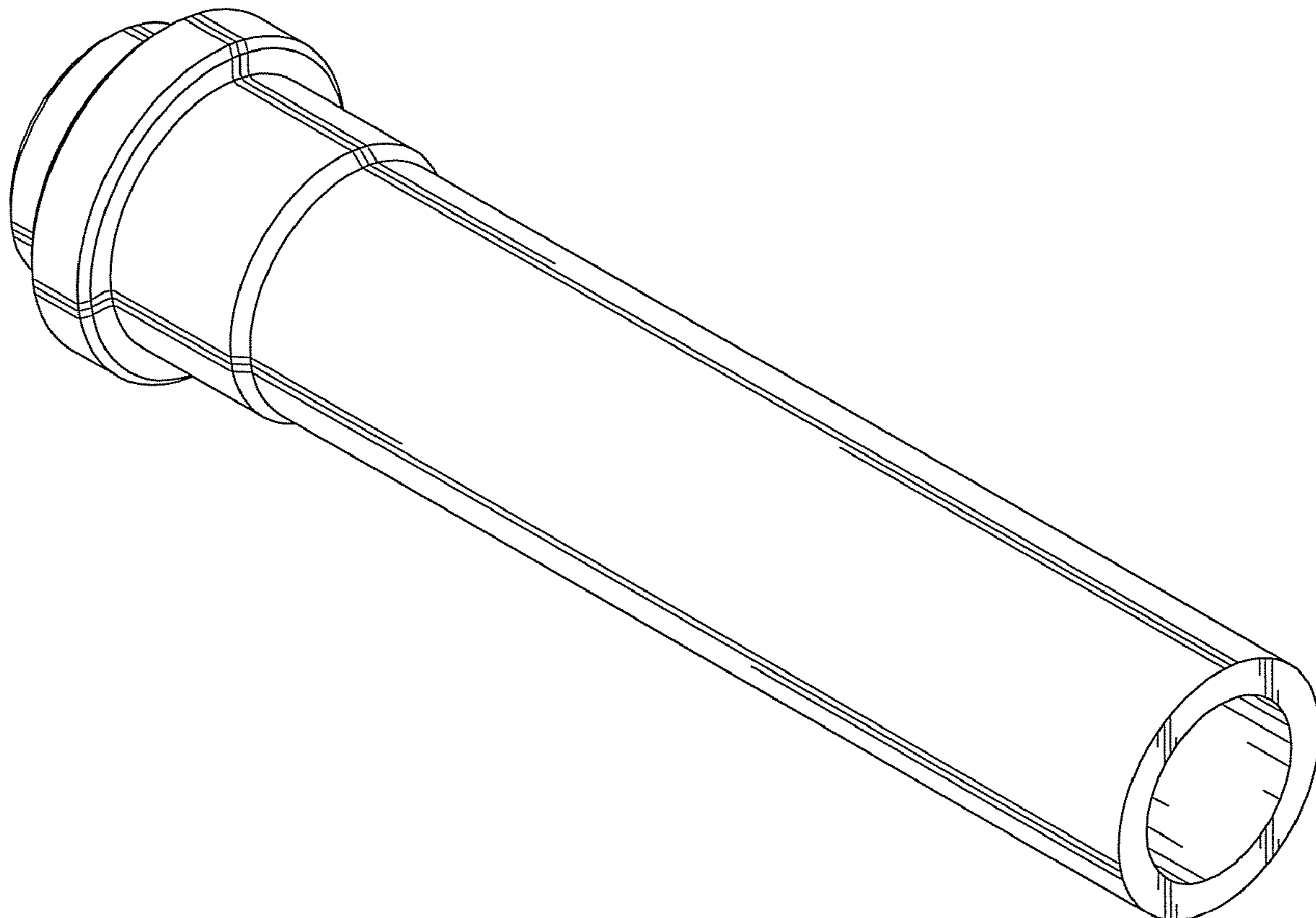
FIG. 2 is a right side elevational view of the pump throat of FIG. 1, the left side elevational view, top plan view, and bottom plan view each being a mirror image thereof;

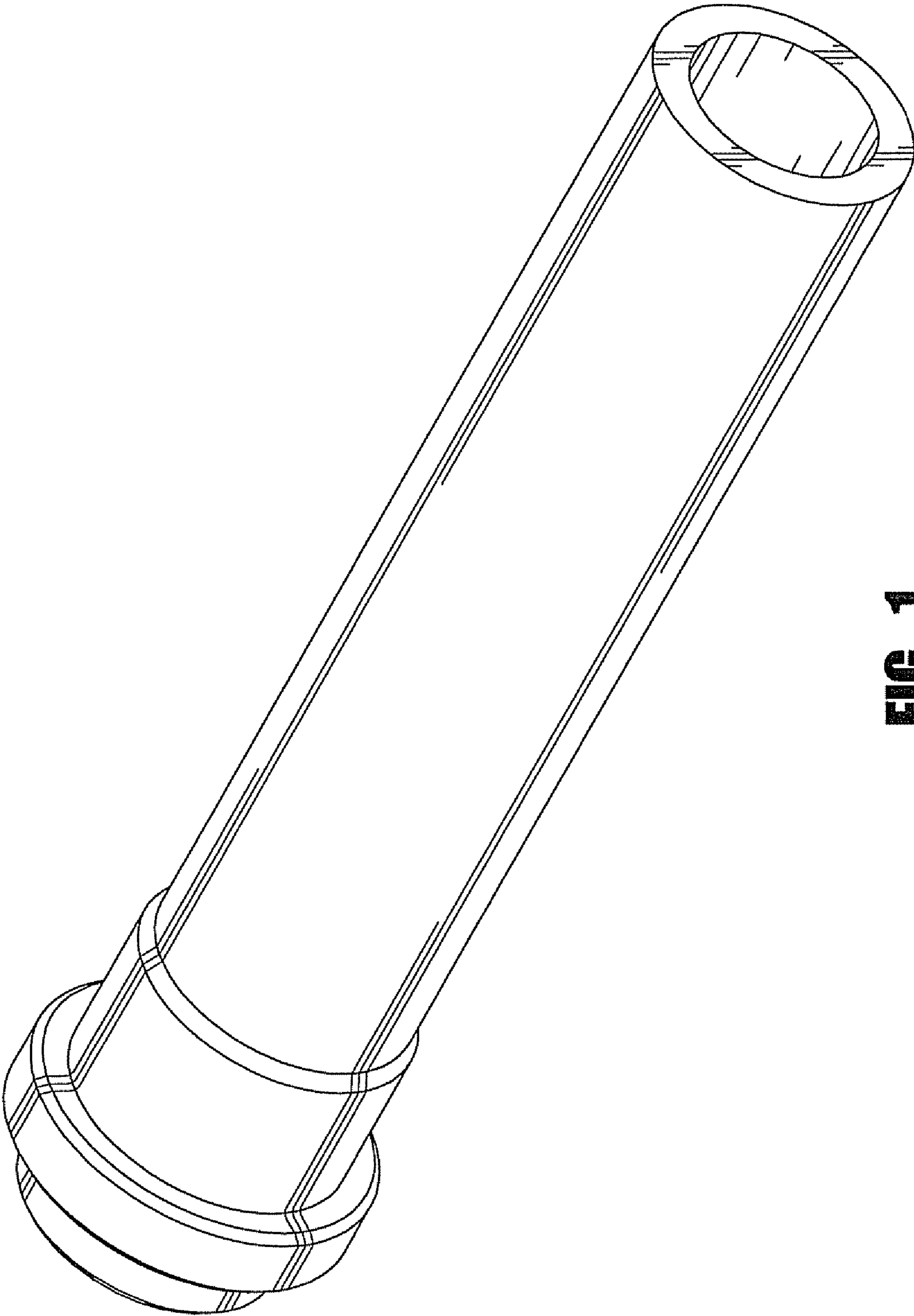
FIG. 3 is a front elevational view of the pump throat of FIG. 1;

FIG. 4 is a rear elevational view of the pump throat of FIG. 1; and,

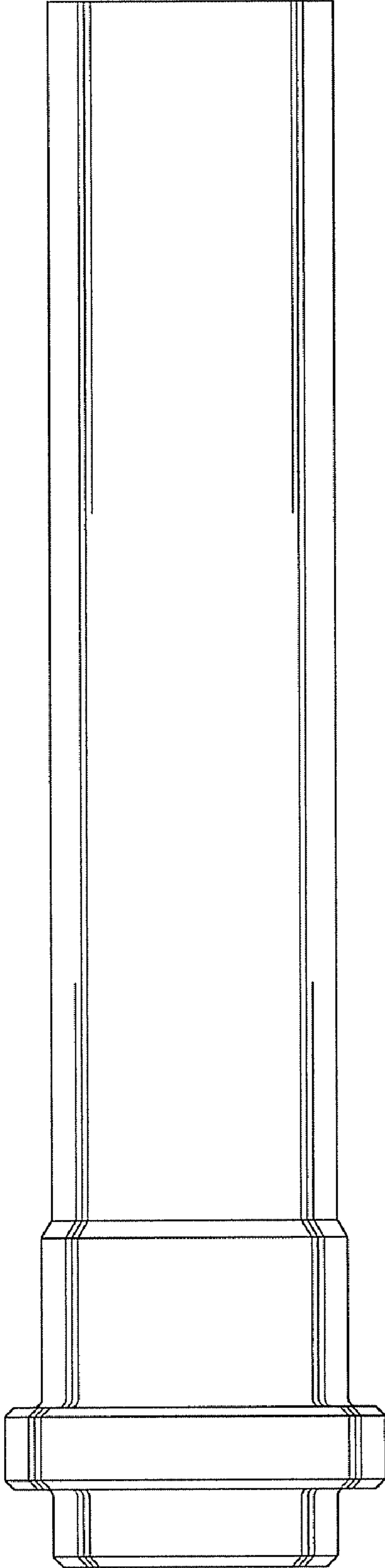
FIG. 5 is a cross sectional view of the pump throat of FIG. 1, along the 5—5 line of FIG. 4.

**1 Claim, 3 Drawing Sheets**

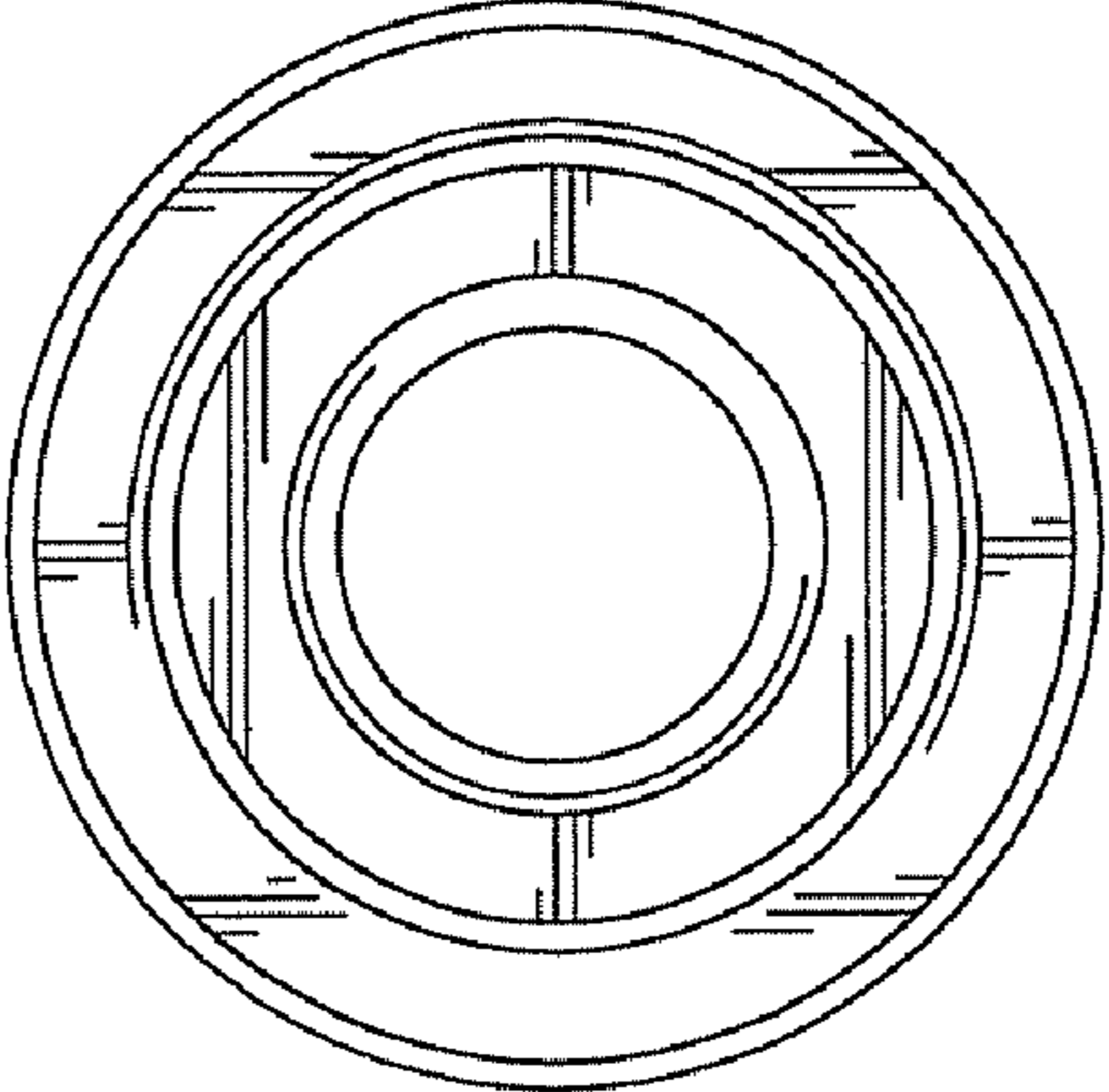




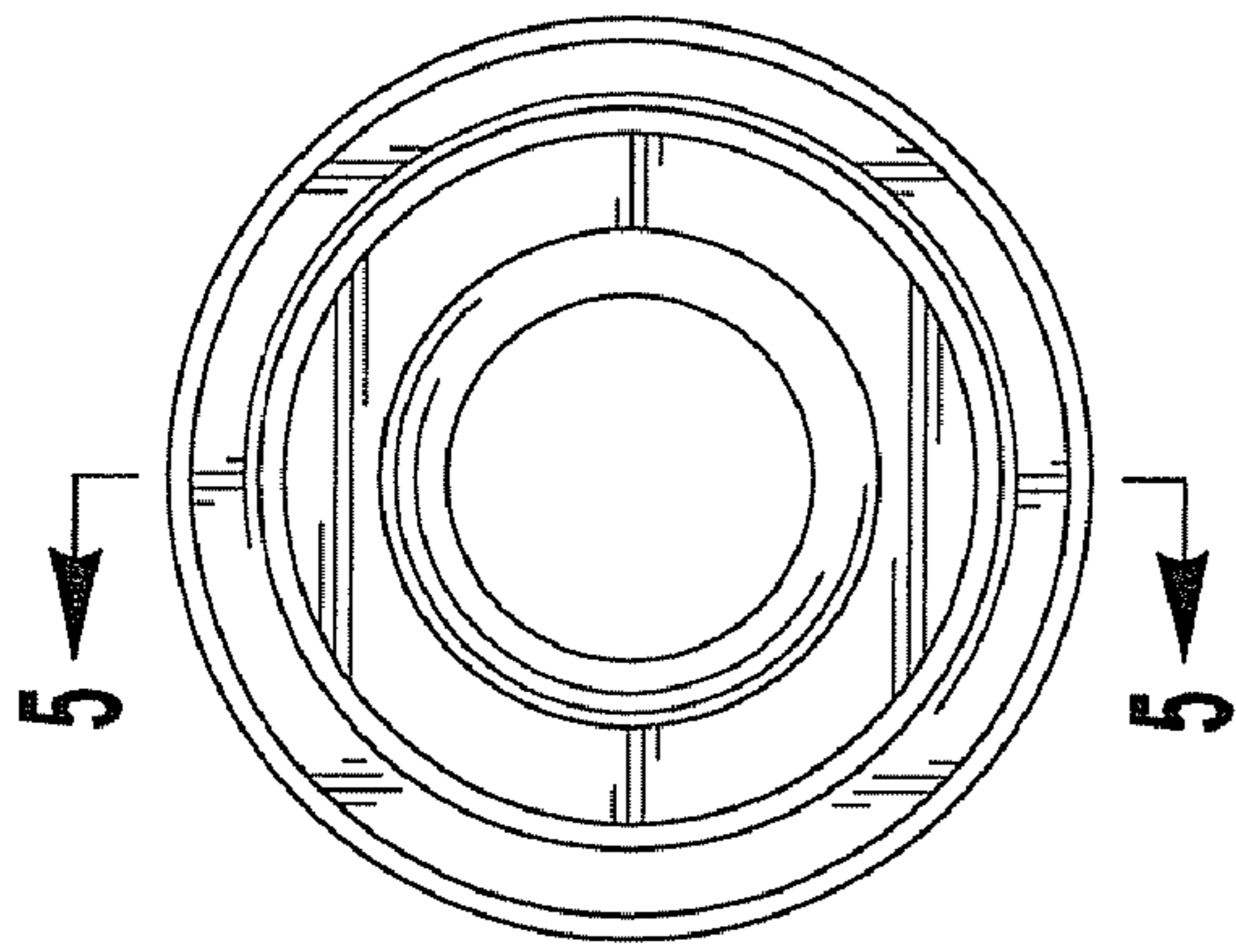
**FIG. 1**



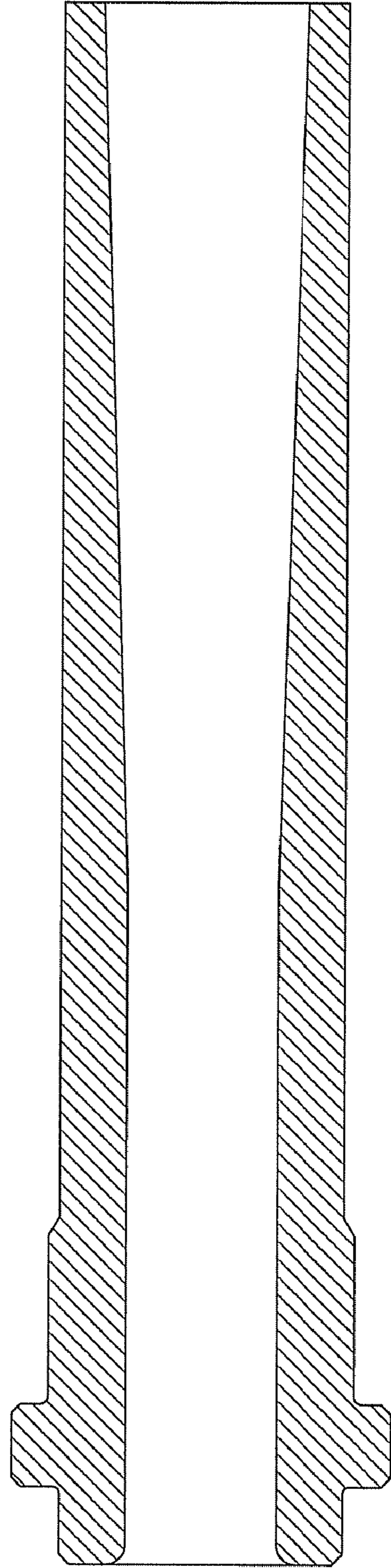
**FIG. 2**



**FIG. 3**



**FIG. 4**



**FIG. 5**