



US00D623198S

(12) **United States Design Patent**  
**Lai**

(10) **Patent No.:** **US D623,198 S**

(45) **Date of Patent:** **\*\* Sep. 7, 2010**

(54) **OIL PAN**

(75) Inventor: **Kuan-Yu Lai**, Changhua (TW)

(73) Assignee: **Hsiang-Yu Plastic Int Co., Ltd.**,  
Changhua, Changhua (TW)

(\*\*) Term: **14 Years**

(21) Appl. No.: **29/346,959**

(22) Filed: **Nov. 9, 2009**

(51) **LOC (9) Cl.** ..... **15-01**

(52) **U.S. Cl.** ..... **D15/5; D15/150**

(58) **Field of Classification Search** ..... D15/1,  
D15/2, 3, 5, 6, 14, 17, 149, 140, 150, 151,  
D15/152, 199; 123/22, 41.34, 51 A, 606 R,  
123/52.1, 50 A, 50 B, 54.1, 54.2, 54.4, 54.5,  
123/65 R, 195 R, 195 HC, 657, 311, 41.67,  
123/198 E, 572-574; D23/205; D12/126,  
D12/114, 110; 180/69.1, 219

See application file for complete search history.

(56) **References Cited**

**U.S. PATENT DOCUMENTS**

4,974,647 A \* 12/1990 Eastom ..... 141/98  
D337,594 S \* 7/1993 Strauch ..... D15/152

D337,774 S \* 7/1993 Schillinger ..... D15/150  
D342,531 S \* 12/1993 Commander et al. .... D15/150  
6,705,270 B1 \* 3/2004 Rau et al. .... 123/195 C  
7,637,337 B2 \* 12/2009 Stranges ..... 180/69.1

\* cited by examiner

*Primary Examiner*—T. Chase Nelson

*Assistant Examiner*—Ania K Dworzecka

(74) *Attorney, Agent, or Firm*—Jackson IPG PLLC; Demian  
K. Jackson

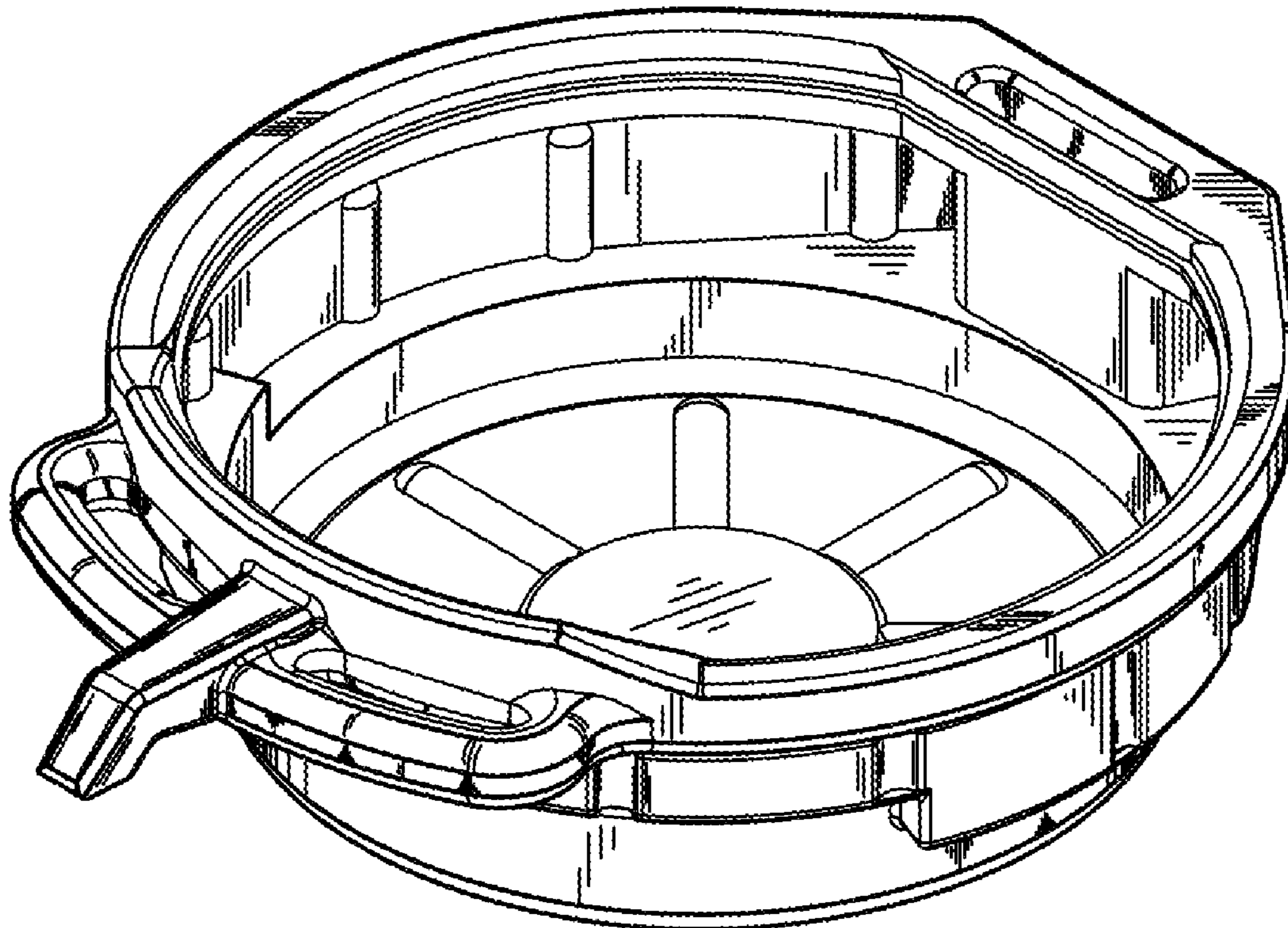
(57) **CLAIM**

I claim the ornamental design for an oil pan, as shown and  
described.

**DESCRIPTION**

FIG. 1 is a rear elevation view thereof;  
FIG. 2 is a front elevation view thereof;  
FIG. 3 is a left side view thereof;  
FIG. 4 is a right side view thereof;  
FIG. 5 is a top plan view thereof;  
FIG. 6 is a bottom plan view thereof; and,  
FIG. 7 is a perspective view of an oil pan showing my new  
design.

**1 Claim, 4 Drawing Sheets**



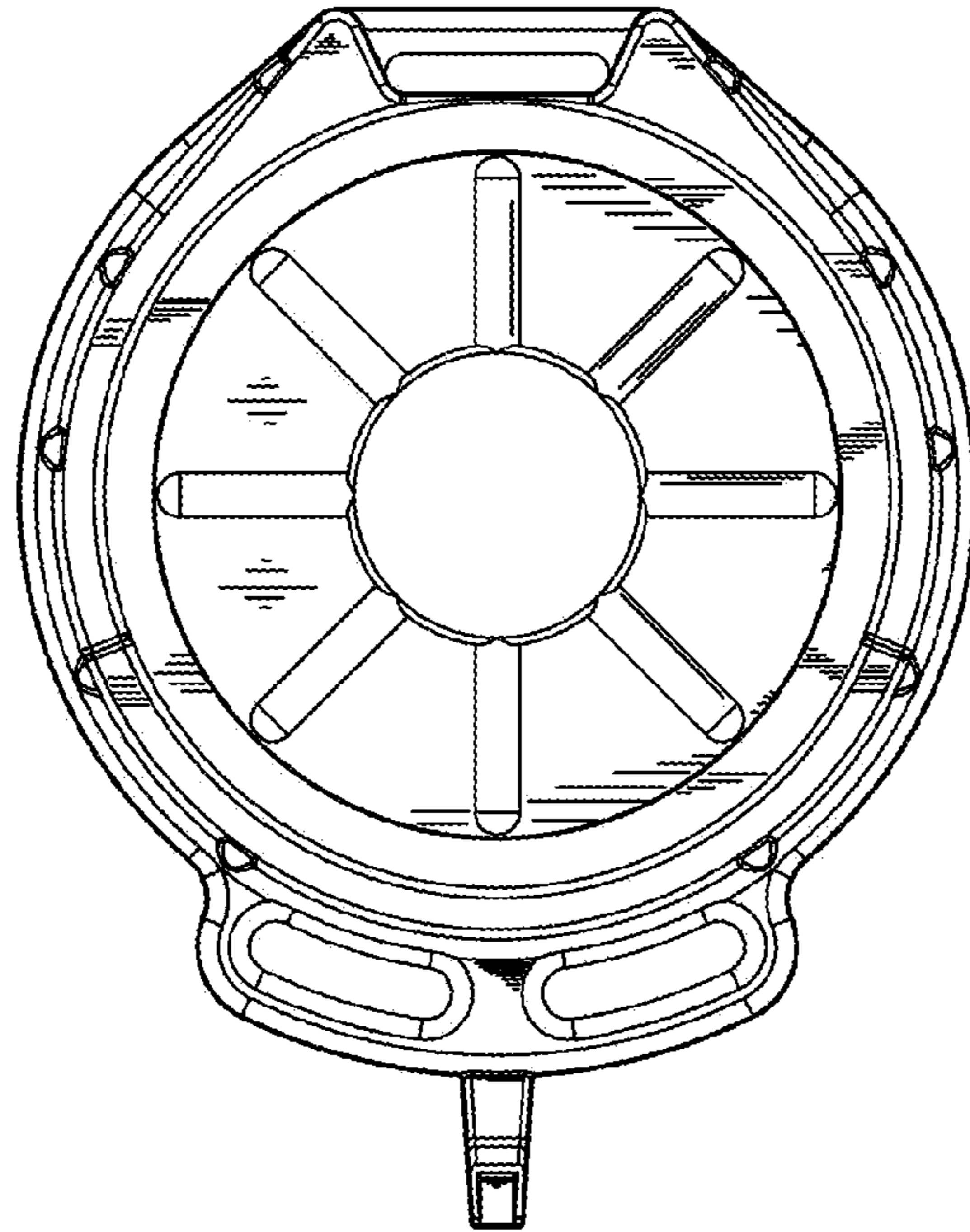


Fig. 1

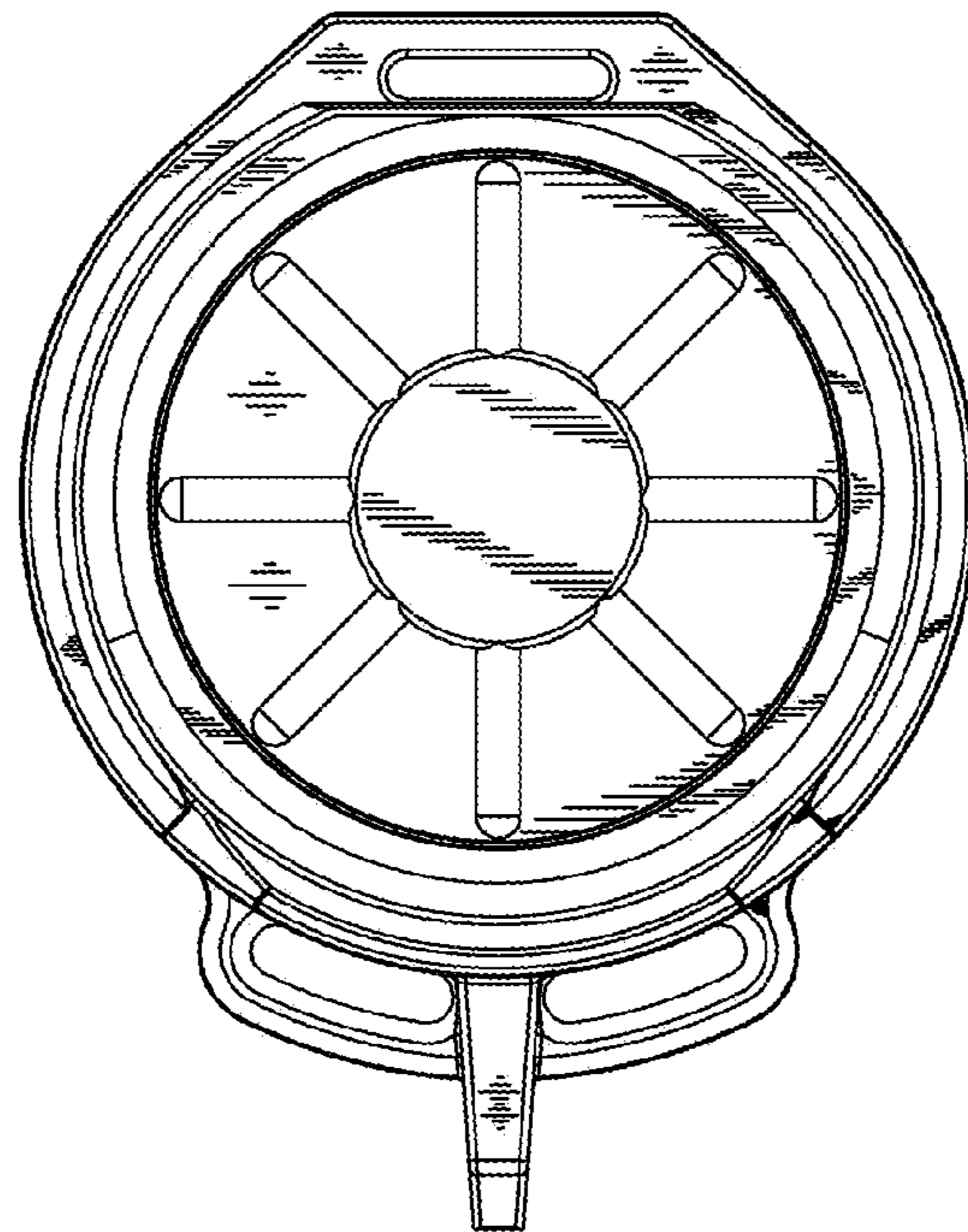


Fig. 2

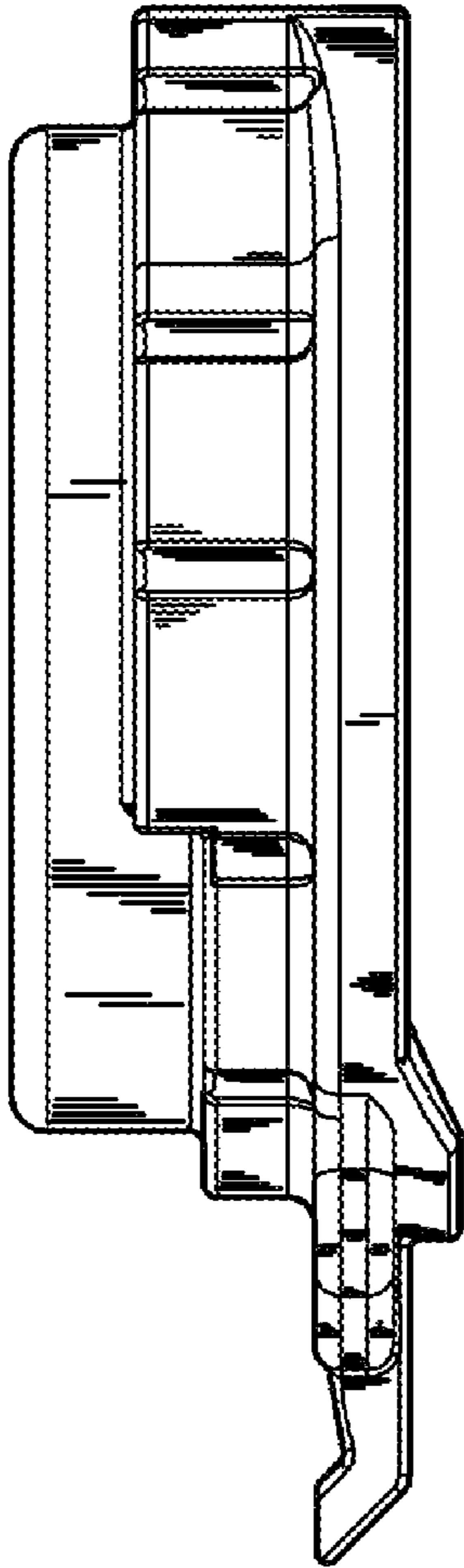


Fig. 3

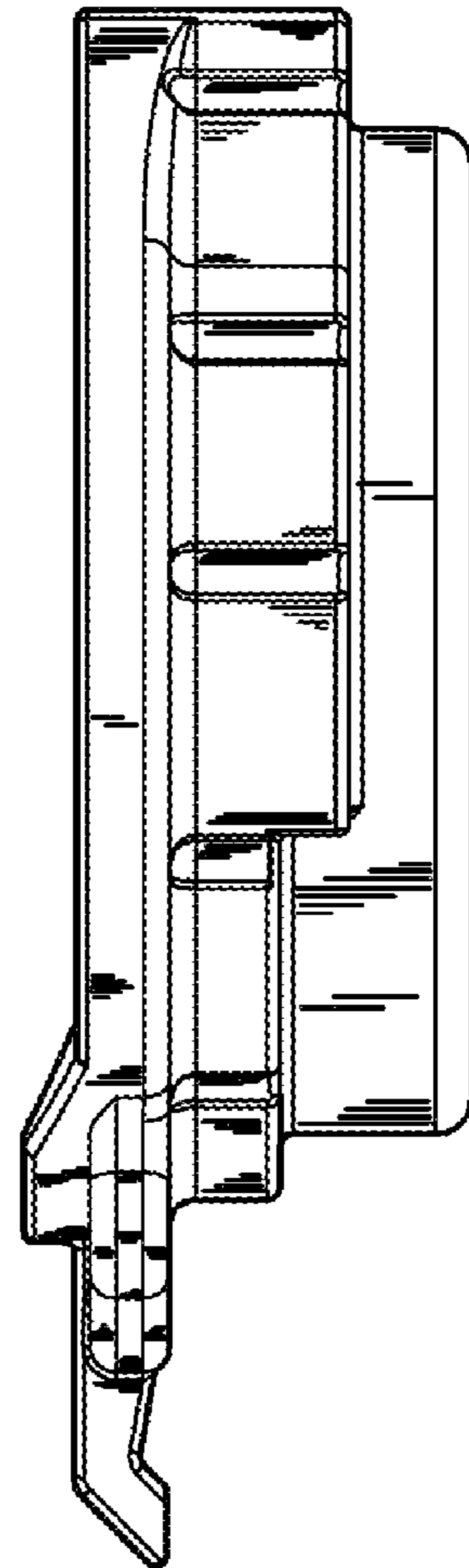


Fig. 4

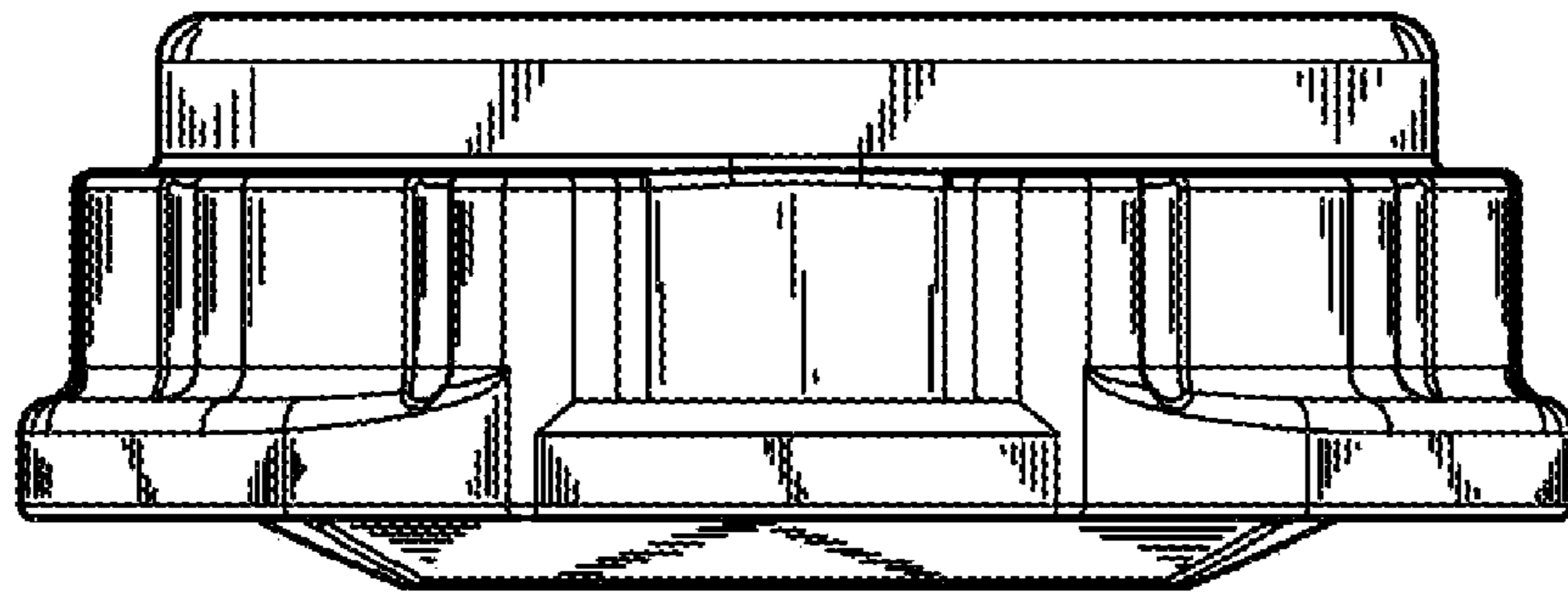


Fig. 5

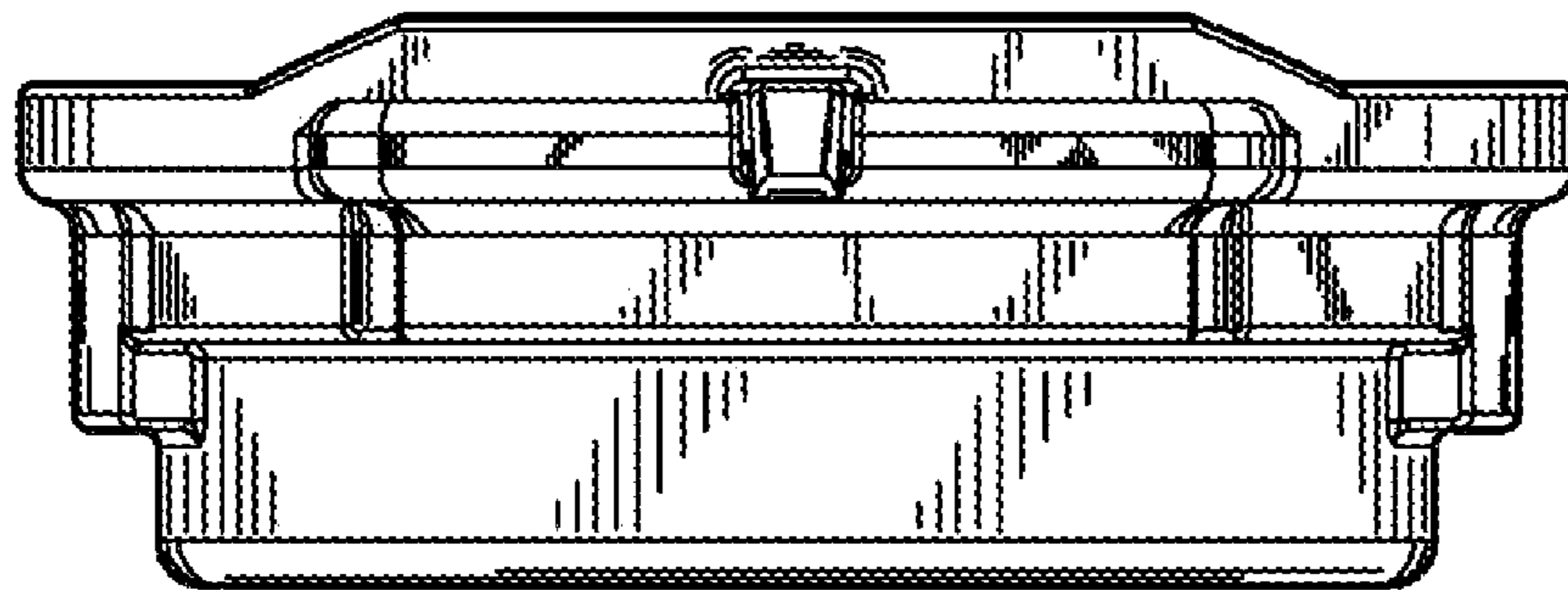


Fig. 6

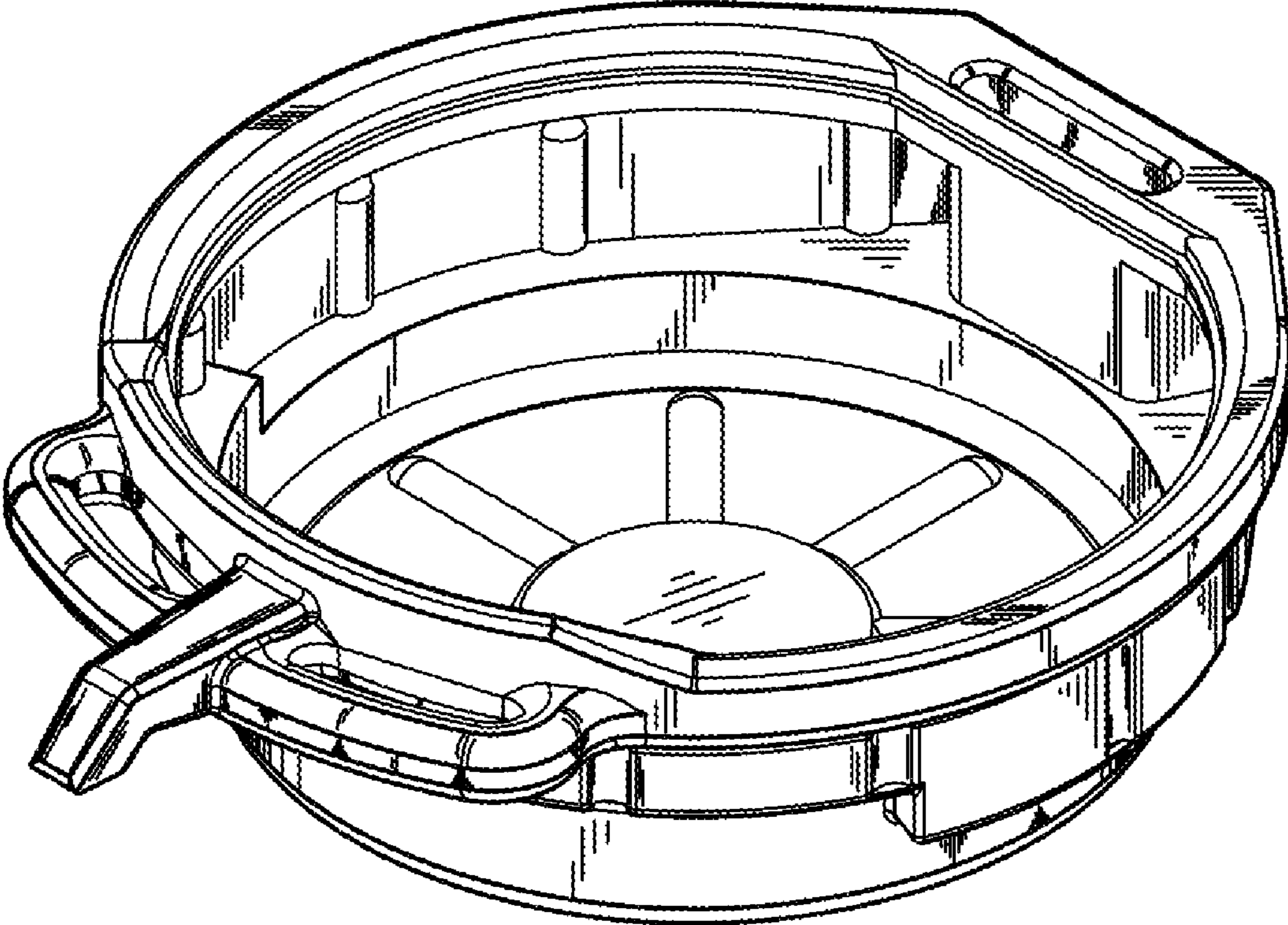


Fig. 7